



Agroparts: www.HARDI-INTERNATIONAL.com

E

Country-Code 00

Date 19.03.2013 9:49



Section E

Tanks

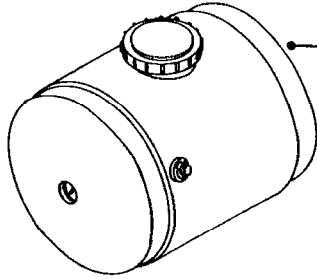


E

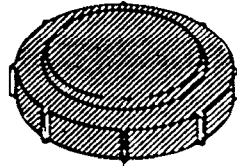
main group	page-n°	date	description
Tanks	E010-HIN	21:09:11	TANK - LB 50
	E020-HIN	12:12:05	TANK - NL 80 (PRE 92)
	E030-HIN	12:12:05	TANK - NL 105 (PRE 92)
	E040-HIN	01:01:01	TANK - NL 80/105 (POST 92)
	E050-HIN	07:09:11	TANK - LE/LE-SPV/LP 100/150
	E060-HIN	01:01:01	TANK - NL 155 (PRE 92)
	E070-HIN	01:01:01	TANK - NL 155 (POST 92)
	E080-HIN	01:01:01	TANK - NL 210 (PRE 92)
	E090-HIN	01:01:01	TANK - NL 210 (POST 92)
	E100-HIN	12:12:05	TANK - NK 105 (PRE 92)
	E110-HIN	07:09:11	TANK - NK 105 (POST 92)
	E120-HIN	07:09:11	TANK - NK 155 (PRE 92)
	E130-HIN	07:09:11	TANK - NK 155 (POST 92)
	E140-HIN	07:09:11	TANK - NK 210 (PRE 92)
	E150-HIN	07:09:11	TANK - NK 210 (POST 92)
	E160-HIN	07:09:11	TANK - LX 210/265/310 (PRE 88)
	E170-HIN	05:05:11	TANK- LX 210/265/310 (POST 88)
	E180-HIN	07:09:11	TANK - LY 210/265/310 (PRE 88)
	E190-HIN	17:05:11	TANK LY/LA 210/265/310 POST 88
	E191-HIN	21:09:11	TANK - ARROW 270/400
	E200-HIN	07:09:11	TANK MEGA 230/350 CENTRIFUGAL
	E210-HIN	07:09:11	TANK MEGA 230/350 DIAPHRAGM
	E220-HIN	05:05:11	TANK - FRONT TANK 250/350
	E230-HIN	18:12:10	TANK - SM 300/500 CENTRIFUGAL
	E240-HIN	19:05:11	TANK - SM 300/500 DIAPHRAGM
	E250-HIN	07:12:09	TANK - ESC 300/500
	E260-HIN	28:11:06	TANK - TL/TR 300/500 W/BK 180
	E270-HIN	28:11:06	TANK TR 300/500 W/EC (PRE 93)
	E280-HIN	06:09:11	TANK TR 300/500 W/EC (POST 93)
	E285-HIN	13:12:06	TANK PASTURE 300/550
	E290-HIN	18:12:10	TANK - TMS 400/500
	E300-HIN	07:12:09	TANK 550 NAV/NAV-M CENTRIFUGAL
	E310-HIN	19:05:11	TANK 550 NAV & NAV-M DIAPHRAGM
	E311-HIN	07:12:09	TANK - TANGO/BRAVO/CONDOR 500
	E312-HIN	21:09:11	TANK - MERCURY 600
	E313-HIN	05:01:12	TANK - RANGER 2200 (PRE '08)
	E314-HIN	18:11:09	SEVERE TERRAIN LID CONV. KIT
	E315-HIN	05:01:12	TANK - RANGER 2200 (POST '08)
	E316-HIN	21:09:11	TANK - MERCURY 925
	E317-HIN	05:01:12	TANK - RANGER 550
	E318-HIN	05:01:12	TANK - RANGER 2000
	E320-HIN	17:05:11	TANK - HC 650 (PRE 92)
	E330-HIN	20:05:11	TANK HC650/650M/650TWIN PRE95
	E340-HIN	18:05:11	TANK HC650M 650 TWIN (POST 95)
	E350-HIN	05:04:12	TANK - CM750
	E351-HIN	05:05:11	TANK - CM+750
	E360-HIN	20:12:10	TANK - 800/1000- CENTRIFUGAL
	E370-HIN	07:12:09	TANK - TR 800/1000- DIAPHRAGM
	E380-HIN	07:12:09	TANK-800/1000 NAV&NAV M-CENT.
	E390-HIN	02:12:10	TANK-800/1000 NAV&NAV M-DIAPH.
	E391-HIN	19:12:10	TANK - 575/1100 NEW NAV ECP
	E392-HIN	19:12:10	TANK - 575/1100 NEW NAV ECPC
	E400-HIN	05:04:12	TANK - CM 875/1200
	E401-HIN	05:05:11	TANK - CM+1200, CM1500
	E410-HIN	05:05:11	TANK - HC 950/950M (PRE 95)
	E420-HIN	14:12:09	TANK-HC 950M/950 TWIN(POST 95)
	E430-HIN	23:04:12	TANK NCM 4400/6600/9000



main group	page-n°	date	description
	E431-HIN E440-HIN E450-HIN E460-HIN E470-HIN E480-HIN	04:12:10 09:07:09 18:05:09 28:11:12 28:11:12 15:07:08	TANK - NAVIGATOR 3000/4000 LOCKER & CLEAN WATER TANK NCM SHIELDS NCM 4400/6600/9000 TANK - ZENIT 105/155 MANIFOLD TANK - ZENIT 105/155 BK LOCKER & CLEAN WATER TANK NAV



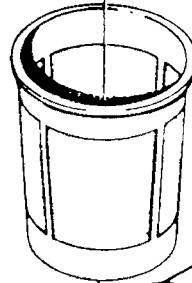
726265 COMPLETE ASSEMBLY



712806



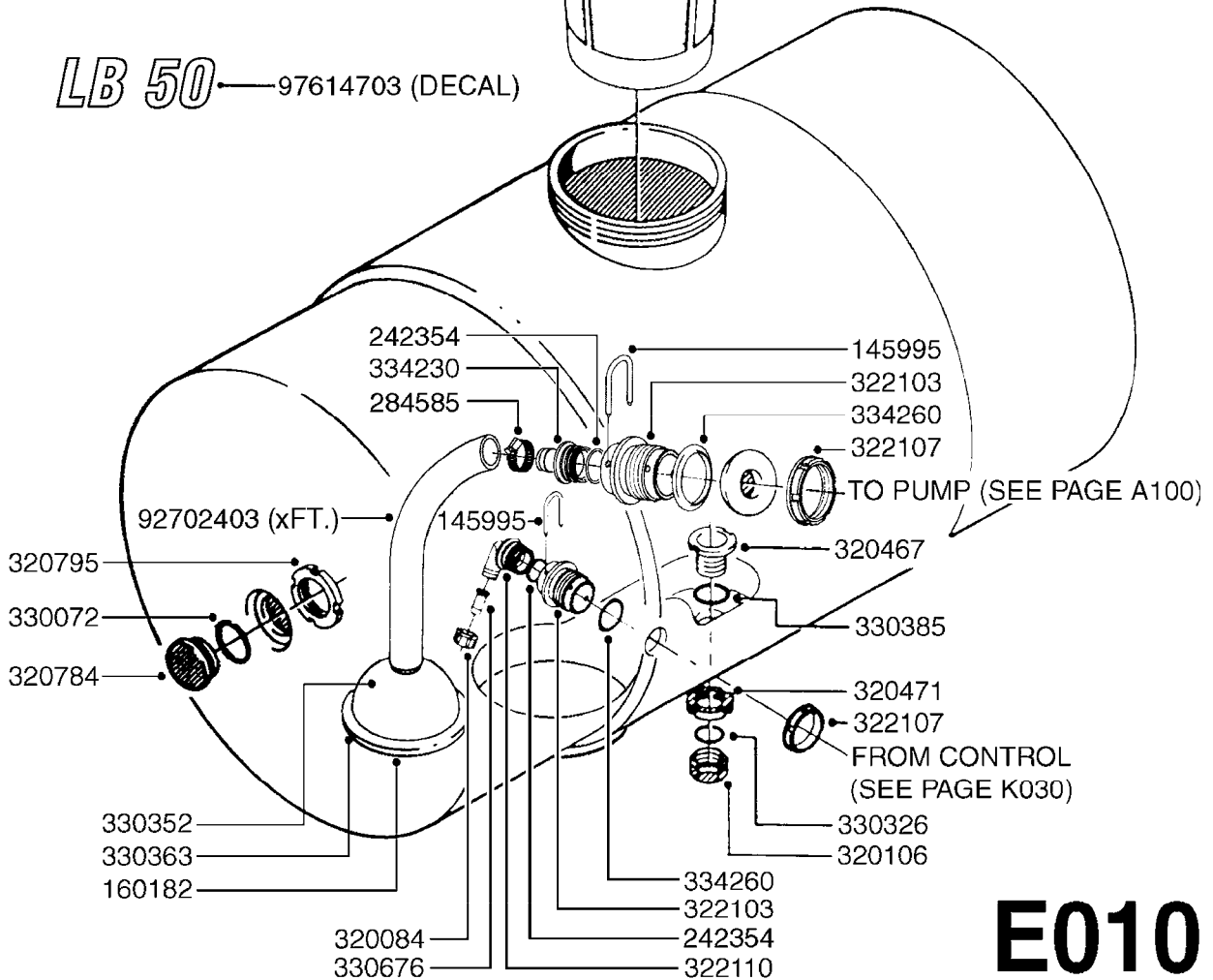
976157 (DECAL)



612673

LB 50

97614703 (DECAL)



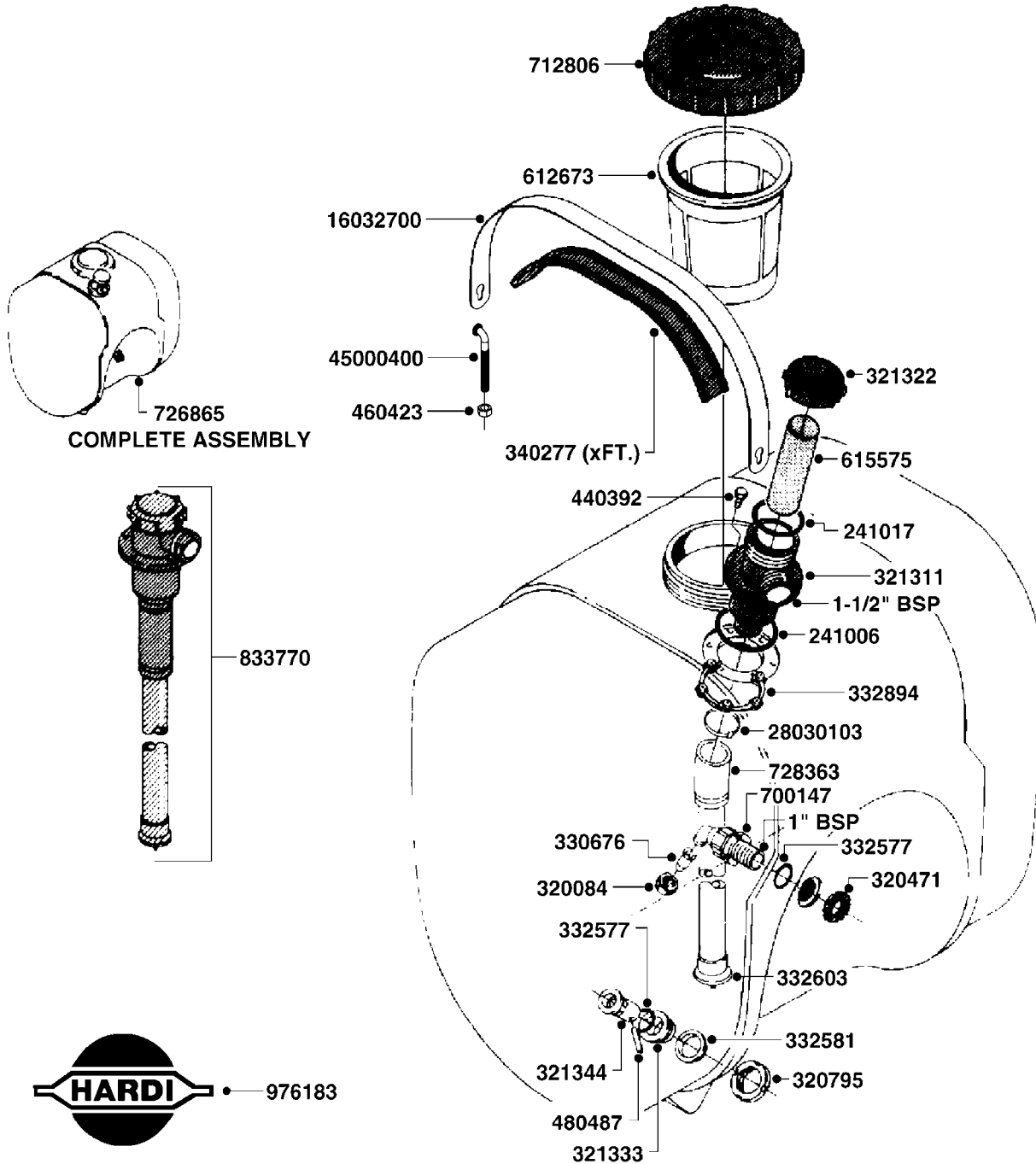
E010



TANK - LB 50
E010-HIN, 21:09:11

Page 1
Date 19.03.2013 9:49

parts-n°	order qty	description
145995	1	FITT.DK S-53 FORK
160182	1	FILTER SCREEN
242354	1	O-RING D32.2X3.0 VITON F.S-53
284585	1	CLAMP HOSE GEAR 1" MINI 020
320084	1	FITT.DK NUT 1/2" BSP
320106	1	FITT.DK CAPNUT 1" BSP
320467	1	FITT.DK BULKHEAD 1"BSP SINGLE
320471	1	FITT.DK NUT 1" BSP JAMB
320784	1	FITT.DK CAP 1-1/2" BSP
320795	1	FITT.DK NUT 1-1/2" BSP JAMB
322103	1	FITT.DK S-53 BULKHEAD
322107	1	FITT.DK S-53 BULKHEAD NUT
322110	1	FITT.DK S-53 ELB. 1/2" BSP
330072	1	O-RING D53,5/D45,5X4
330326	1	O-RING D30/D24X2 F.1"NUT
330352	1	FOAM DROP HOUSING
330363	1	RETAINER FILTER GAUGE
330385	1	O-RING D38,8/32,8XD3
330676	1	FITT.DK HB 3/8" F. 1/2" NUT
334230	1	FITT.DK S-53 STR.1"
334260	1	GASKET F. S-53 BULKHEAD
612673	1	FILTER BASKET F. ES30/ES53
712806	1	TANK LID WITH VENT S226 RED
726265	1	TANK 53 GAL. F/BNL
976157	1	DECAL COMPANY (4.4" X 4.6")
92702403	1	HOSE PVC SUCT GRAY 1"
97614703	1	DECAL LB 50 2011



E020

FOR CONNECTING HOSE
FITTINGS, SEE SECTION H



TANK - NL 80 (PRE 92)
E020-HIN, 12:12:05

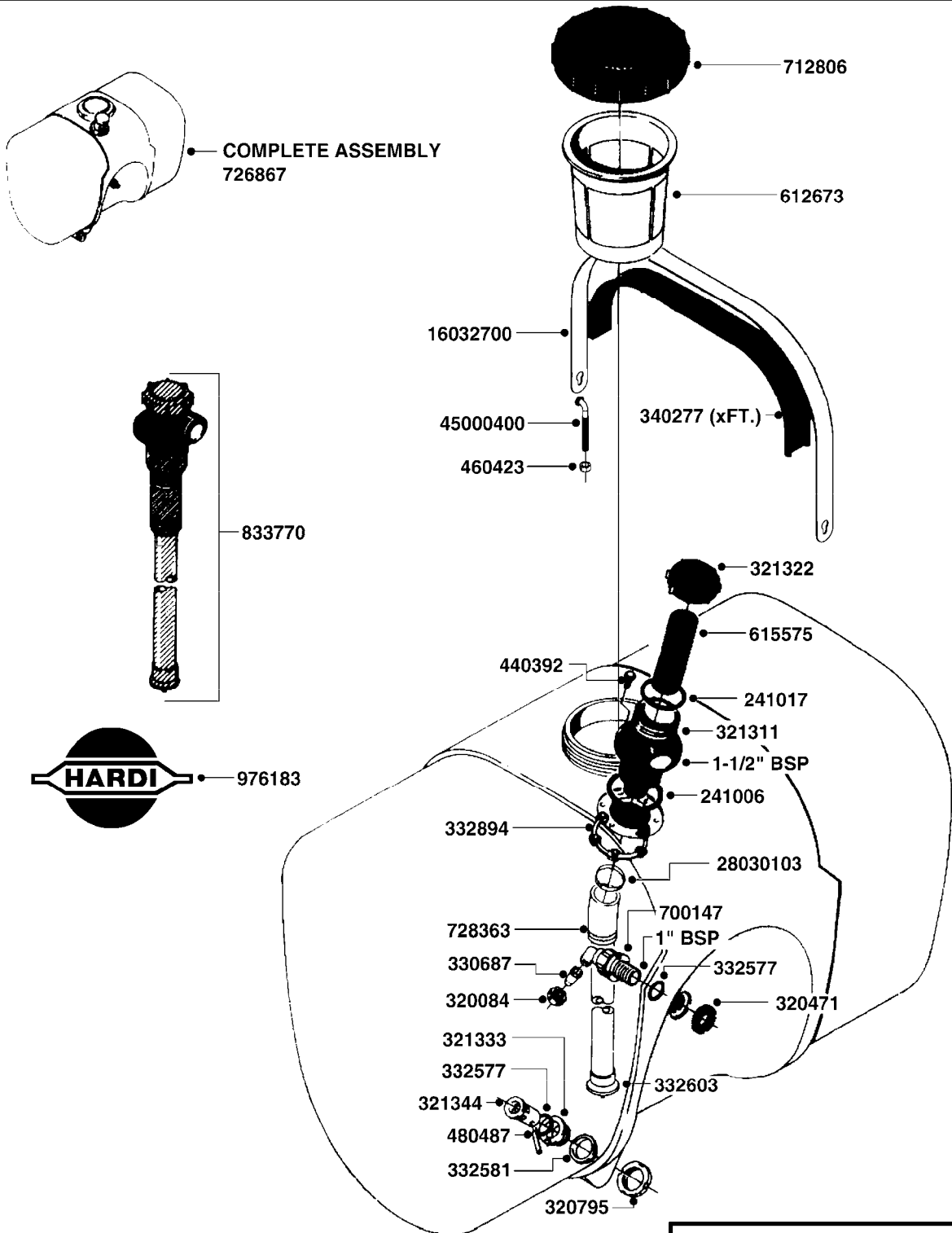
Page 1
Date 19.03.2013 9:49

parts-n°	order qty	description
241006	1	O-RING D79,2X5,7 NITRIL
241017	1	O-RING D74,5X3 NITRIL
320084	1	FITT.DK NUT 1/2" BSP
320471	1	FITT.DK NUT 1" BSP JAMB
320795	1	FITT.DK NUT 1-1/2" BSP JAMB
321311	1	FILTER BODY S 80 X 4
321322	1	SCREW CAP F. S80 X 4
321333	1	FITT.DK BULK 1-1/2" X 1"F BSP
321344	1	DRAIN SCREW 1" BSP RED
330676	1	FITT.DK HB 3/8" F. 1/2" NUT
332577	1	O-RING D38/D30X4 F.1" PUR.
332581	1	GASKET F. 1-1/2" BSP CAPNUT.
332603	1	CAP F. SUCTION TUBE
332894	1	RETAIN.RING FOR SUCTION FILTER
340277	1	TANK PACKING - 40mm WIDE x 12"
440392	1	SCREW NO.14 1"
460423	1	NUT HEX M10X1.5 LOCK
480487	1	PIN M5X60 SLOTTED GALV
612673	1	FILTER BASKET F. ES30/ES53
615575	1	FILTER F.TOP SUCT.30 MESH GRN.
700147	1	AGITATION ASSY. F. ESTATE SPRY
712806	1	TANK LID WITH VENT S226 RED
726865	1	TANK NL 80
728363	1	SUCTION TUBE ASSY.L=72"
833770	1	TOP SUCTION KIT 300/500
976183	1	DECAL COMPANY 185 X 300
16032700	1	TANK STRAP 40X2.0 L=930
28030103	1	CLAMP HOSE GEAR P5/4-S1.5"6724
45000400	1	T-BOLT SPECIAL F.TANK STRAP ES



TANK - NL 105 (PRE 92)
E030-HIN, 12:12:05

Page 0
Date 19.03.2013 9:49



E030

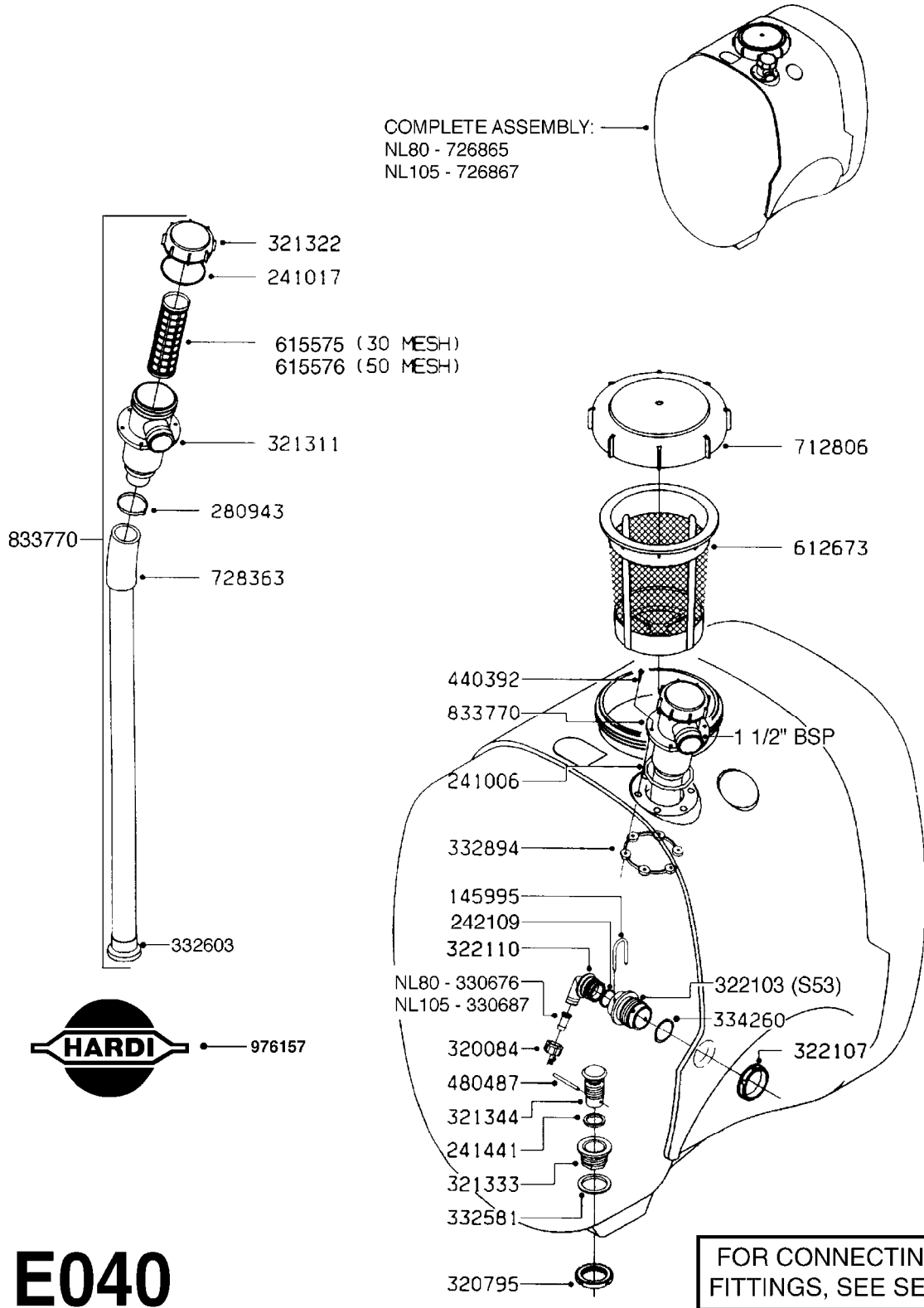
FOR CONNECTING HOSE FITTINGS, SEE SECTION H



TANK - NL 105 (PRE 92)
E030-HIN, 12:12:05

Page 1
Date 19.03.2013 9:49

parts-n°	order qty	description
241006	1	O-RING D79,2X5,7 NITRIL
241017	1	O-RING D74,5X3 NITRIL
320084	1	FITT.DK NUT 1/2" BSP
320471	1	FITT.DK NUT 1" BSP JAMB
320795	1	FITT.DK NUT 1-1/2" BSP JAMB
321311	1	FILTER BODY S 80 X 4
321322	1	SCREW CAP F. S80 X 4
321333	1	FITT.DK BULK 1-1/2" X 1"F BSP
321344	1	DRAIN SCREW 1" BSP RED
330687	1	FITT.DK HB 1/2" F. 1/2" NUT
332577	1	O-RING D38/D30X4 F.1" PUR.
332581	1	GASKET F. 1-1/2" BSP CAPNUT.
332603	1	CAP F. SUCTION TUBE
332894	1	RETAIN.RING FOR SUCTION FILTER
340277	1	TANK PACKING - 40mm WIDE x 12"
440392	1	SCREW NO.14 1"
460423	1	NUT HEX M10X1.5 LOCK
480487	1	PIN M5X60 SLOTTED GALV
612673	1	FILTER BASKET F. ES30/ES53
615575	1	FILTER F.TOP SUCT.30 MESH GRN.
700147	1	AGITATION ASSY. F. ESTATE SPRY
712806	1	TANK LID WITH VENT S226 RED
726867	1	TANK NL 105
728363	1	SUCTION TUBE ASSY.L=72"
833770	1	TOP SUCTION KIT 300/500
976183	1	DECAL COMPANY 185 X 300
16032700	1	TANK STRAP 40X2.0 L=930
28030103	1	CLAMP HOSE GEAR P5/4-S1.5"6724
45000400	1	T-BOLT SPECIAL F.TANK STRAP ES



E040



TANK - NL 80/105 (POST 92)
E040-HIN, 01:01:01

Page 1
Date 19.03.2013 9:49

parts-n°	order qty	description
145995	1	FITT.DK S-53 FORK
241006	1	O-RING D79,2X5,7 NITRIL
241017	1	O-RING D74,5X3 NITRIL
241441	1	O-RING D29.3X3
242109	1	O-RING D32.2x3.0 (USE 242354)
280943	1	CLAMP HOSE GEAR 40-60
320084	1	FITT.DK NUT 1/2" BSP
320795	1	FITT.DK NUT 1-1/2" BSP JAMB
321311	1	FILTER BODY S 80 X 4
321322	1	SCREW CAP F. S80 X 4
321333	1	FITT.DK BULK 1-1/2" X 1"F BSP
321344	1	DRAIN SCREW 1" BSP RED
322103	1	FITT.DK S-53 BULKHEAD
322107	1	FITT.DK S-53 BULKHEAD NUT
322110	1	FITT.DK S-53 ELB. 1/2" BSP
330676	1	FITT.DK HB 3/8" F. 1/2" NUT
330687	1	FITT.DK HB 1/2" F. 1/2" NUT
332581	1	GASKET F. 1-1/2" BSP CAPNUT.
332603	1	CAP F. SUCTION TUBE
332894	1	RETAIN.RING FOR SUCTION FILTER
334260	1	GASKET F. S-53 BULKHEAD
440392	1	SCREW NO.14 1"
480487	1	PIN M5X60 SLOTTED GALV
612673	1	FILTER BASKET F. ES30/ES53
615575	1	FILTER F.TOP SUCT.30 MESH GRN.
615576	1	FILTER F.TOP SUCT.50 MESH BLUE
712806	1	TANK LID WITH VENT S226 RED
726865	1	TANK NL 80
726867	1	TANK NL 105
728363	1	SUCTION TUBE ASSY.L=72"
833770	1	TOP SUCTION KIT 300/500
976157	1	DECAL COMPANY (4.4" X 4.6")



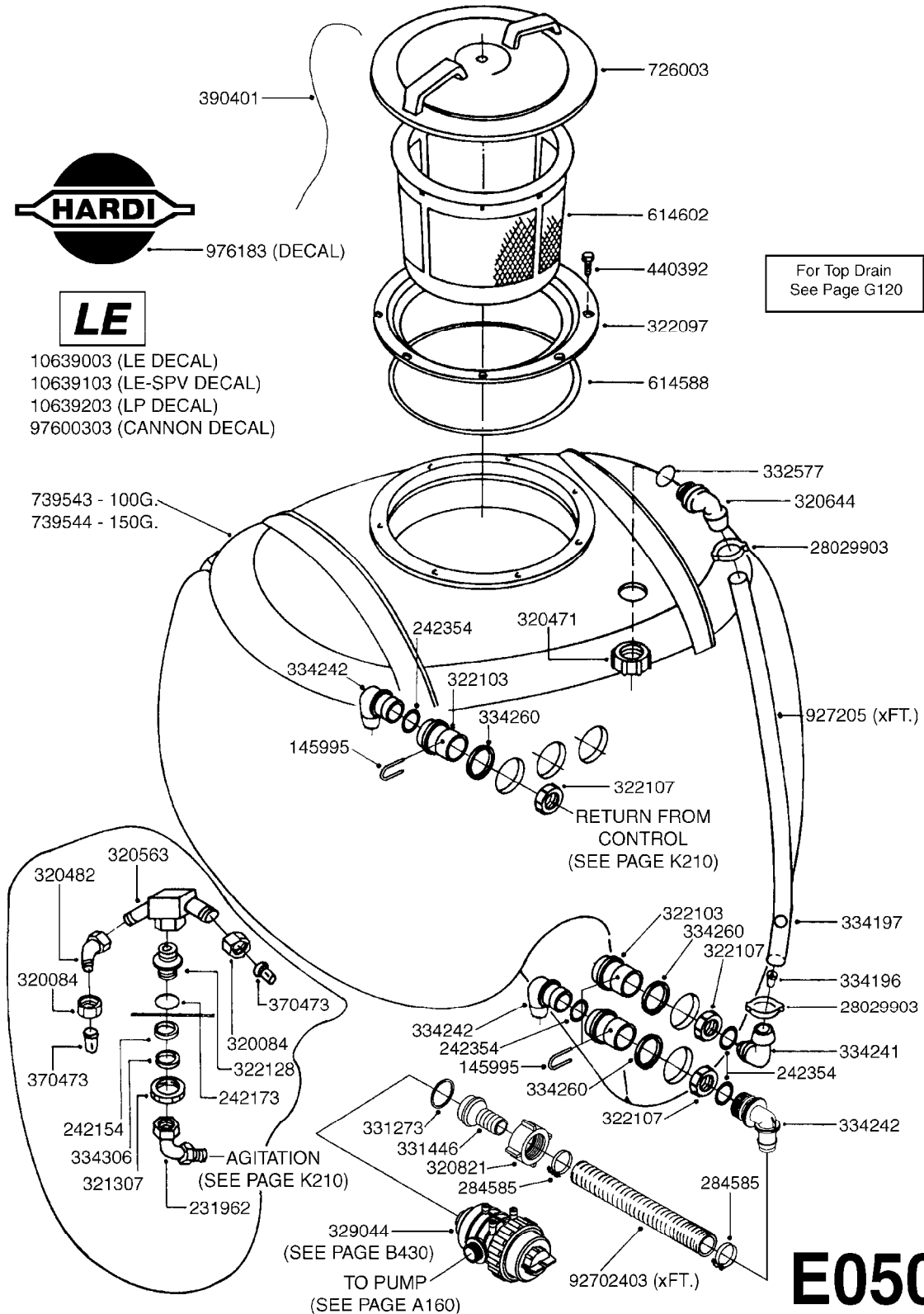
976183 (DECAL)

LE

- 10639003 (LE DECAL)
- 10639103 (LE-SPV DECAL)
- 10639203 (LP DECAL)
- 97600303 (CANNON DECAL)

- 739543 - 100G.
- 739544 - 150G.

For Top Drain
See Page G120



E050

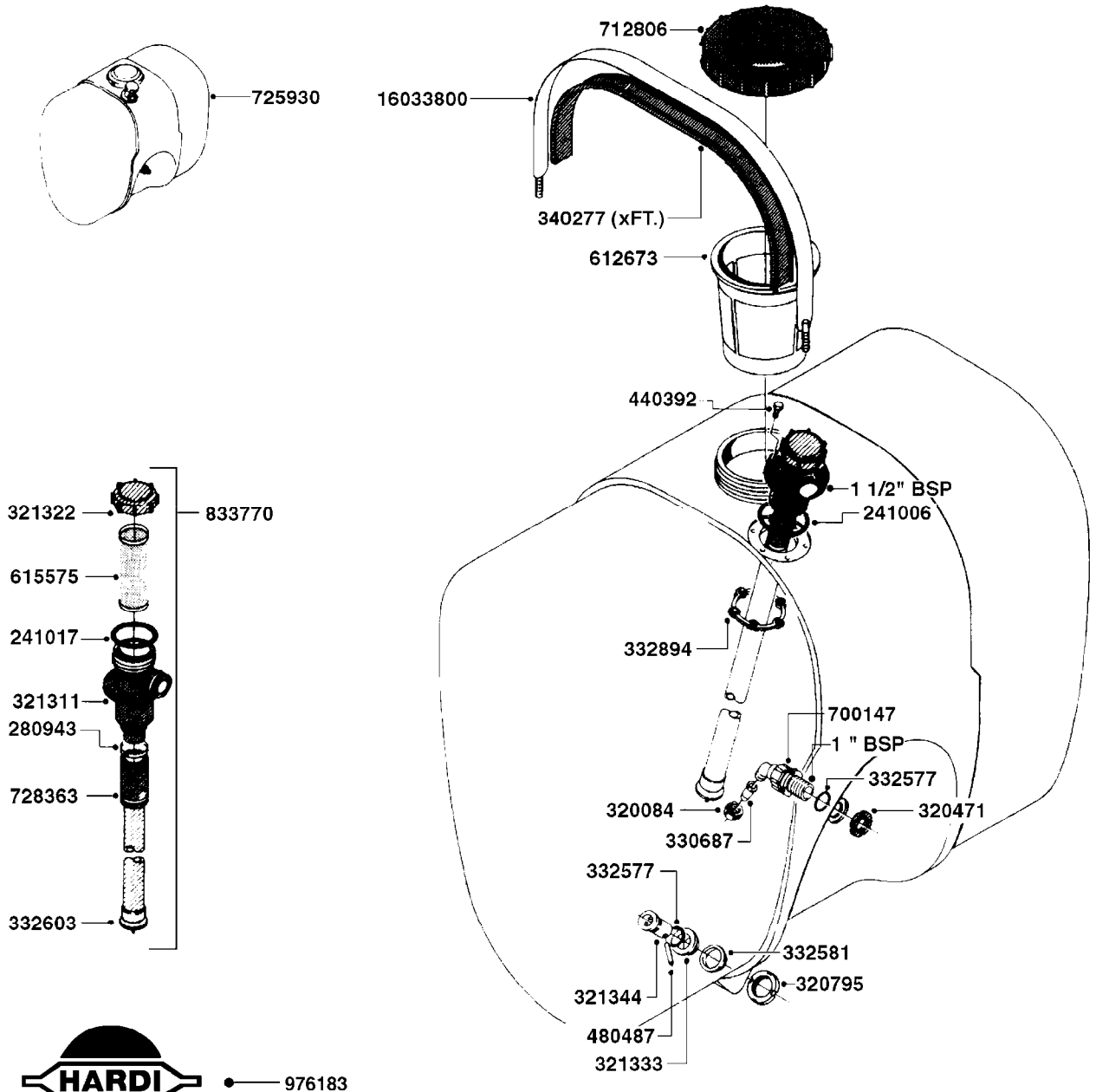


TANK - LE/LE-SPV/LP 100/150
E050-HIN, 07:09:11

Page 1

Date 19.03.2013 9:49

parts-n°	order qty	description
145995	1	FITT.DK S-53 FORK
231962	1	ELBOW BRASS 1/2"
242154	1	WASHER RUBBER 1"
242173	1	O-RING D24X18X3
242354	1	O-RING D32.2X3.0 VITON F.S-53
284585	1	CLAMP HOSE GEAR 1" MINI 020
320084	1	FITT.DK NUT 1/2" BSP
320471	1	FITT.DK NUT 1" BSP JAMB
320482	1	FITT.DK ELB. 1/2" BSP 60 DEG.
320563	1	FITT.DK 3 WAY 1/2" 110 DEG.
320644	1	FITT.DK ELB.3/4"HB X 1" BSP
320821	1	FITT.DK NUT 1-1/2" BSP
321307	1	FITT.DK NUT 1/2" BSP JAMB
322097	1	THREADED RING F. LID
322103	1	FITT.DK S-53 BULKHEAD
322107	1	FITT.DK S-53 BULKHEAD NUT
322128	1	NIPPLE 1/2"
329044	1	SUCTION FILTER ASSY. ARAG 1"
331273	1	O-RING D44/D38X2 F.1-1/2"
331446	1	FITT.DK HB 1" F.1-1/2" NUT
332577	1	O-RING D38/D30X4 F.1" PUR.
334196	1	PLUG F. LIQUID LEV. INDICATOR
334197	1	BALL F. LIQUID LEV. INDICATOR
334241	1	FITT.DK S-53 ELB.3/4"
334242	1	FITT.DK S-53 ELB.1"
334260	1	GASKET F. S-53 BULKHEAD
334306	1	WASHER D22 PA
370473	1	NOZZLE INJECTOR 5066-2.0
390401	1	CORD NYLON F.LID 900MM
440392	1	SCREW NO.14 1"
614588	1	SEAL F. LID
614602	1	FILTER BASKET
726003	1	LID F. TANK
739543	1	TANK ASSY.POLY 100G LE,SPV,LP
739544	1	TANK ASSY.POLY 150G LE,SPV,LP
927205	1	HOSE R X CLEAR X 3/4 X 0012"
976183	1	DECAL COMPANY 185 X 300
10639003	1	DECAL "LE"
10639103	1	DECAL "LE-SPV"
10639203	1	DECAL "LP"
28029903	1	CLAMP HOSE GEAR P3/4"-S1" 6712
92702403	1	HOSE PVC SUCT GRAY 1"
97600303	1	DECAL CANNON



FOR CONNECTING HOSE FITTINGS, SEE SECTION H



TANK - NL 155 (PRE 92)
E060-HIN, 01:01:01

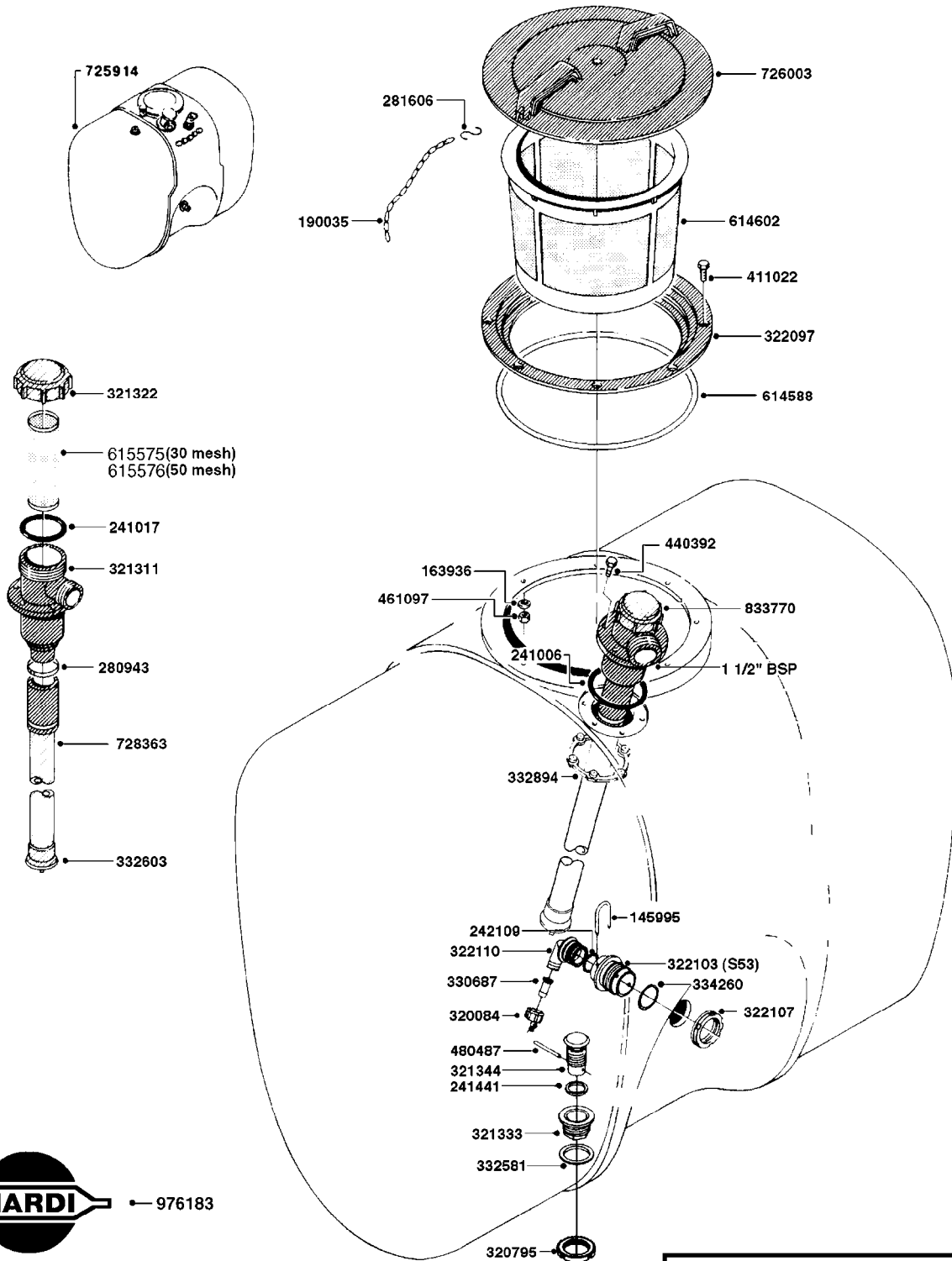
Page 1
Date 19.03.2013 9:49

parts-n°	order qty	description
16033800	1	TANK STRAP NL155 L=1380MM '01
241006	1	O-RING D79,2X5,7 NITRIL
241017	1	O-RING D74,5X3 NITRIL
280943	1	CLAMP HOSE GEAR 40-60
320084	1	FITT.DK NUT 1/2" BSP
320471	1	FITT.DK NUT 1" BSP JAMB
320795	1	FITT.DK NUT 1-1/2" BSP JAMB
321311	1	FILTER BODY S 80 X 4
321322	1	SCREW CAP F. S80 X 4
321333	1	FITT.DK BULK 1-1/2" X 1"F BSP
321344	1	DRAIN SCREW 1" BSP RED
330687	1	FITT.DK HB 1/2" F. 1/2" NUT
332577	1	O-RING D38/D30X4 F.1" PUR.
332581	1	GASKET F. 1-1/2" BSP CAPNUT.
332603	1	CAP F. SUCTION TUBE
332894	1	RETAIN.RING FOR SUCTION FILTER
340277	1	TANK PACKING - 40mm WIDE x 12"
440392	1	SCREW NO.14 1"
480487	1	PIN M5X60 SLOTTED GALV
612673	1	FILTER BASKET F. ES30/ES53
615575	1	FILTER F.TOP SUCT.30 MESH GRN.
700147	1	AGITATION ASSY. F. ESTATE SPRY
712806	1	TANK LID WITH VENT S226 RED
725930	1	TANK ASSY.COMPLETE NL 155 '88
728363	1	SUCTION TUBE ASSY.L=72"
833770	1	TOP SUCTION KIT 300/500
976183	1	DECAL COMPANY 185 X 300



TANK - NL 155 (POST 92)
E070-HIN, 01:01:01

Page 0
Date 19.03.2013 9:49



FOR CONNECTING HOSE
FITTINGS, SEE SECTION H



TANK - NL 155 (POST 92)
E070-HIN, 01:01:01

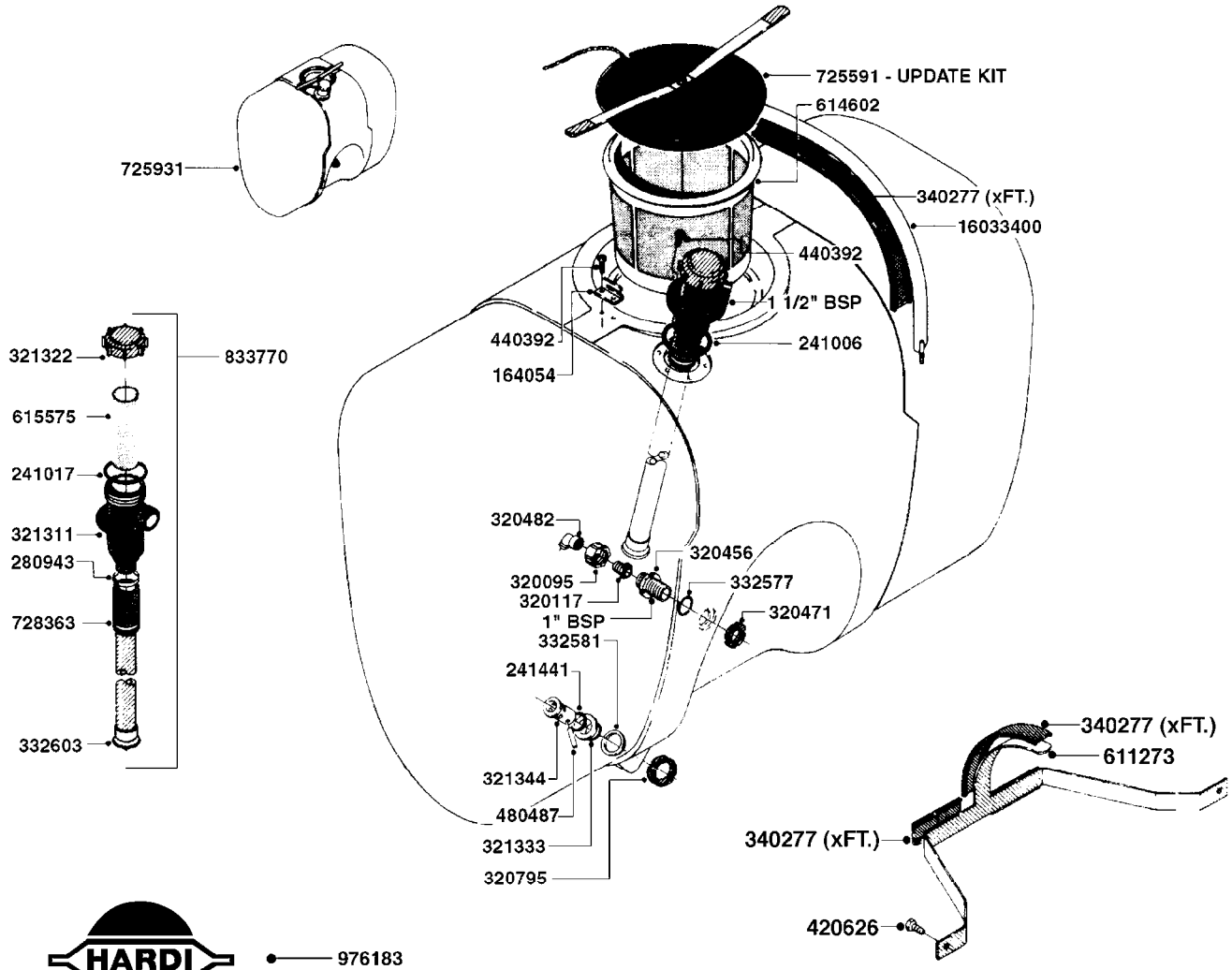
Page 1
Date 19.03.2013 9:49

parts-n°	order qty	description
145995	1	FITT.DK S-53 FORK
163936	1	WASHER D15/D6.2X1
190035	1	CHAIN 365MM
241006	1	O-RING D79,2X5,7 NITRIL
241017	1	O-RING D74,5X3 NITRIL
241441	1	O-RING D29.3X3
242109	1	O-RING D32.2x3.0 (USE 242354)
280943	1	CLAMP HOSE GEAR 40-60
281606	1	S-HOOK GALVANIZED
320084	1	FITT.DK NUT 1/2" BSP
320795	1	FITT.DK NUT 1-1/2" BSP JAMB
321311	1	FILTER BODY S 80 X 4
321322	1	SCREW CAP F. S80 X 4
321333	1	FITT.DK BULK 1-1/2" X 1"F BSP
321344	1	DRAIN SCREW 1" BSP RED
322097	1	THREADED RING F. LID
322103	1	FITT.DK S-53 BULKHEAD
322107	1	FITT.DK S-53 BULKHEAD NUT
322110	1	FITT.DK S-53 ELB. 1/2" BSP
330687	1	FITT.DK HB 1/2" F. 1/2" NUT
332581	1	GASKET F. 1-1/2" BSP CAPNUT.
332603	1	CAP F. SUCTION TUBE
332894	1	RETAIN.RING FOR SUCTION FILTER
334260	1	GASKET F. S-53 BULKHEAD
411022	1	SCREW M.6X30 STAINLESS PHILLIP
440392	1	SCREW NO.14 1"
461097	1	NUT M6 STAINLESS SAFETY
480487	1	PIN M5X60 SLOTTED GALV
614588	1	SEAL F. LID
614602	1	FILTER BASKET
615575	1	FILTER F.TOP SUCT.30 MESH GRN.
615576	1	FILTER F.TOP SUCT.50 MESH BLUE
725914	1	TANK ASSY.COMPOSITE NK 155 '92
726003	1	LID F. TANK
728363	1	SUCTION TUBE ASSY.L=72"
833770	1	TOP SUCTION KIT 300/500
976183	1	DECAL COMPANY 185 X 300



TANK - NL 210 (PRE 92)
E080-HIN, 01:01:01

Page 0
Date 19.03.2013 9:49



FOR CONNECTING HOSE
FITTINGS, SEE SECTION H

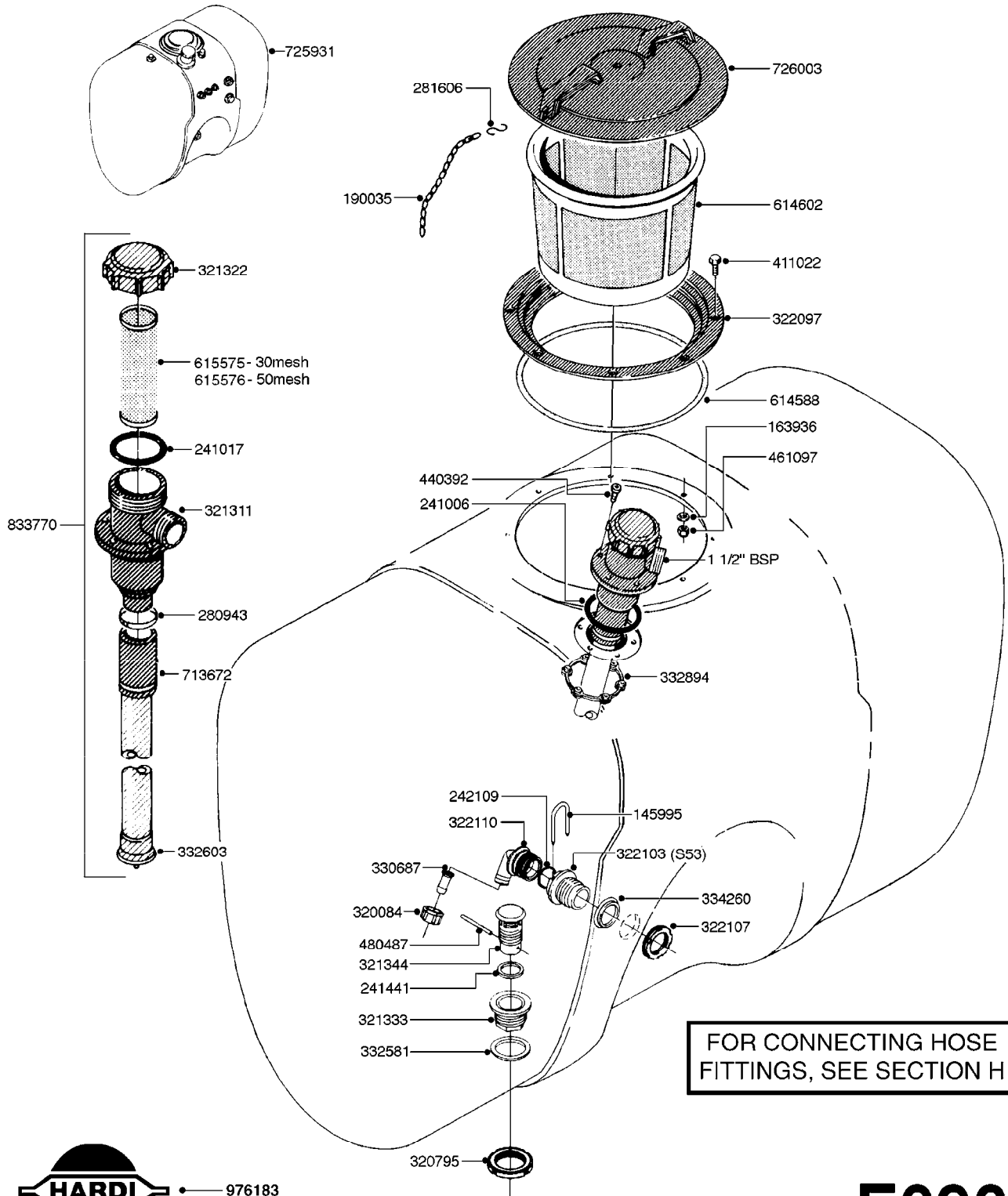
E080



TANK - NL 210 (PRE 92)
E080-HIN, 01:01:01

Page 1
Date 19.03.2013 9:49

parts-n°	order qty	description
164054	1	BRACKET SLOTTED F. LID
241006	1	O-RING D79,2X5,7 NITRIL
241017	1	O-RING D74,5X3 NITRIL
241441	1	O-RING D29.3X3
280943	1	CLAMP HOSE GEAR 40-60
320095	1	FITT.DK NUT 1" BSP
320117	1	FITT.DK CONN.1/2"BSP F. 1" CAP
320456	1	FITT.DK BULKHEAD 1"BSP DOUBLE
320471	1	FITT.DK NUT 1" BSP JAMB
320482	1	FITT.DK ELB. 1/2" BSP 60 DEG.
320795	1	FITT.DK NUT 1-1/2" BSP JAMB
321311	1	FILTER BODY S 80 X 4
321322	1	SCREW CAP F. S80 X 4
321333	1	FITT.DK BULK 1-1/2" X 1"F BSP
321344	1	DRAIN SCREW 1" BSP RED
332577	1	O-RING D38/D30X4 F.1" PUR.
332581	1	GASKET F. 1-1/2" BSP CAPNUT.
332603	1	CAP F. SUCTION TUBE
340277	1	TANK PACKING - 40mm WIDE x 12"
420626	1	BOLT HEX 8.8 DEL M10X20 FT
440392	1	SCREW NO.14 1"
480487	1	PIN M5X60 SLOTTED GALV
611273	1	TANK SUPPORT F.NK-210
614602	1	FILTER BASKET
615575	1	FILTER F.TOP SUCT.30 MESH GRN.
725591	1	LID ASSY.
725931	1	TANK ASSY.COMPLETE NL 210 '88
728363	1	SUCTION TUBE ASSY.L=72"
833770	1	TOP SUCTION KIT 300/500
976183	1	DECAL COMPANY 185 X 300
16033400	1	TANK STRAP ES30/NK 80 '01



FOR CONNECTING HOSE
FITTINGS, SEE SECTION H



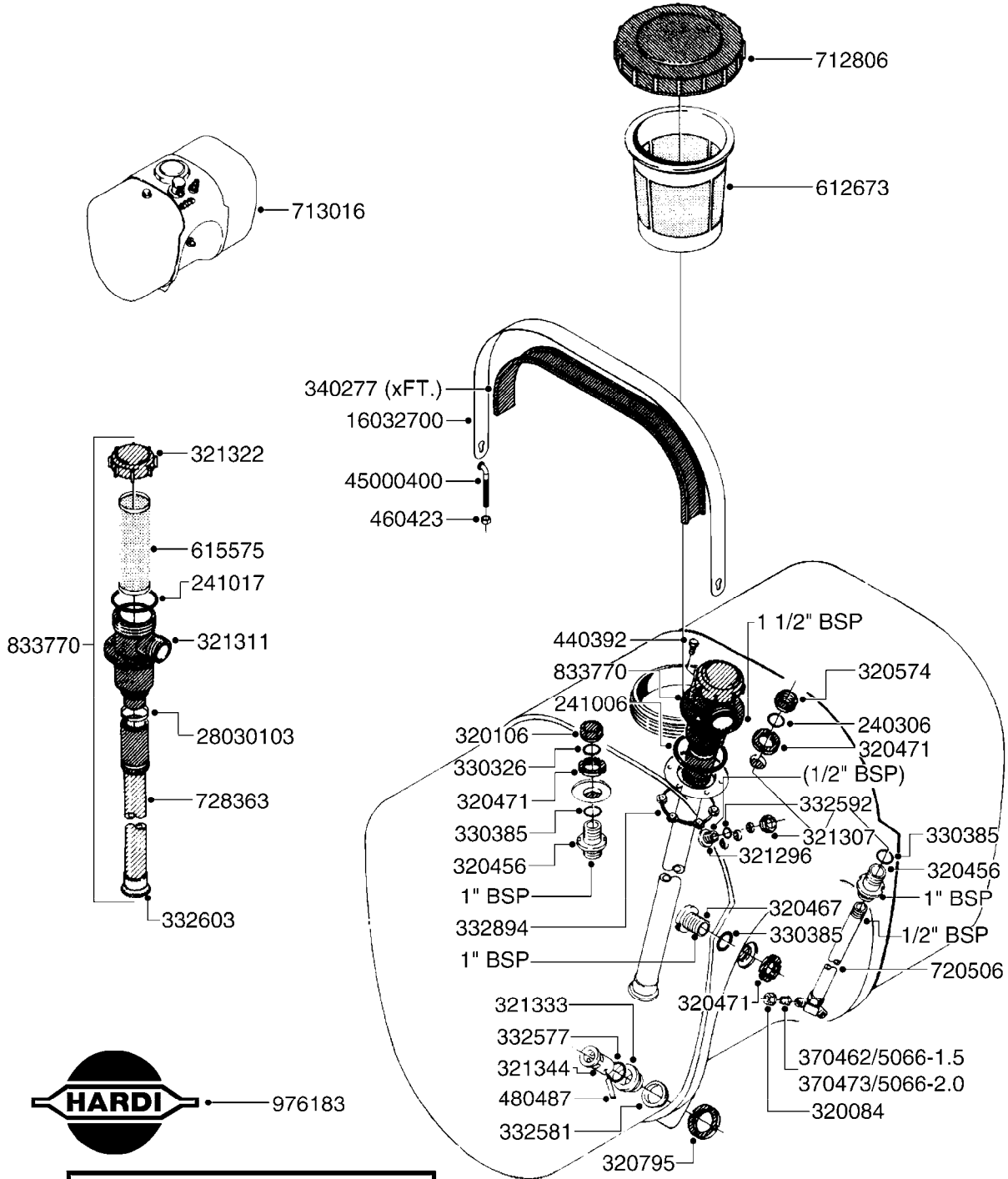
E090



TANK - NL 210 (POST 92)
E090-HIN, 01:01:01

Page 1
Date 19.03.2013 9:50

parts-n°	order qty	description
145995	1	FITT.DK S-53 FORK
163936	1	WASHER D15/D6.2X1
190035	1	CHAIN 365MM
241006	1	O-RING D79,2X5,7 NITRIL
241017	1	O-RING D74,5X3 NITRIL
241441	1	O-RING D29.3X3
242109	1	O-RING D32.2x3.0 (USE 242354)
280943	1	CLAMP HOSE GEAR 40-60
281606	1	S-HOOK GALVANIZED
320084	1	FITT.DK NUT 1/2" BSP
320795	1	FITT.DK NUT 1-1/2" BSP JAMB
321311	1	FILTER BODY S 80 X 4
321322	1	SCREW CAP F. S80 X 4
321333	1	FITT.DK BULK 1-1/2" X 1"F BSP
321344	1	DRAIN SCREW 1" BSP RED
322097	1	THREADED RING F. LID
322103	1	FITT.DK S-53 BULKHEAD
322107	1	FITT.DK S-53 BULKHEAD NUT
322110	1	FITT.DK S-53 ELB. 1/2" BSP
330687	1	FITT.DK HB 1/2" F. 1/2" NUT
332581	1	GASKET F. 1-1/2" BSP CAPNUT.
332603	1	CAP F. SUCTION TUBE
332894	1	RETAIN.RING FOR SUCTION FILTER
334260	1	GASKET F. S-53 BULKHEAD
411022	1	SCREW M.6X30 STAINLESS PHILLIP
440392	1	SCREW NO.14 1"
461097	1	NUT M6 STAINLESS SAFETY
480487	1	PIN M5X60 SLOTTED GALV
614588	1	SEAL F. LID
614602	1	FILTER BASKET
615575	1	FILTER F.TOP SUCT.30 MESH GRN.
615576	1	FILTER F.TOP SUCT.50 MESH BLUE
713672	1	SUCTION TUBE L=44"
725931	1	TANK ASSY.COMPLETE NL 210 '88
726003	1	LID F. TANK
833770	1	TOP SUCTION KIT 300/500
976183	1	DECAL COMPANY 185 X 300



FOR CONNECTING HOSE
FITTINGS, SEE SECTION H

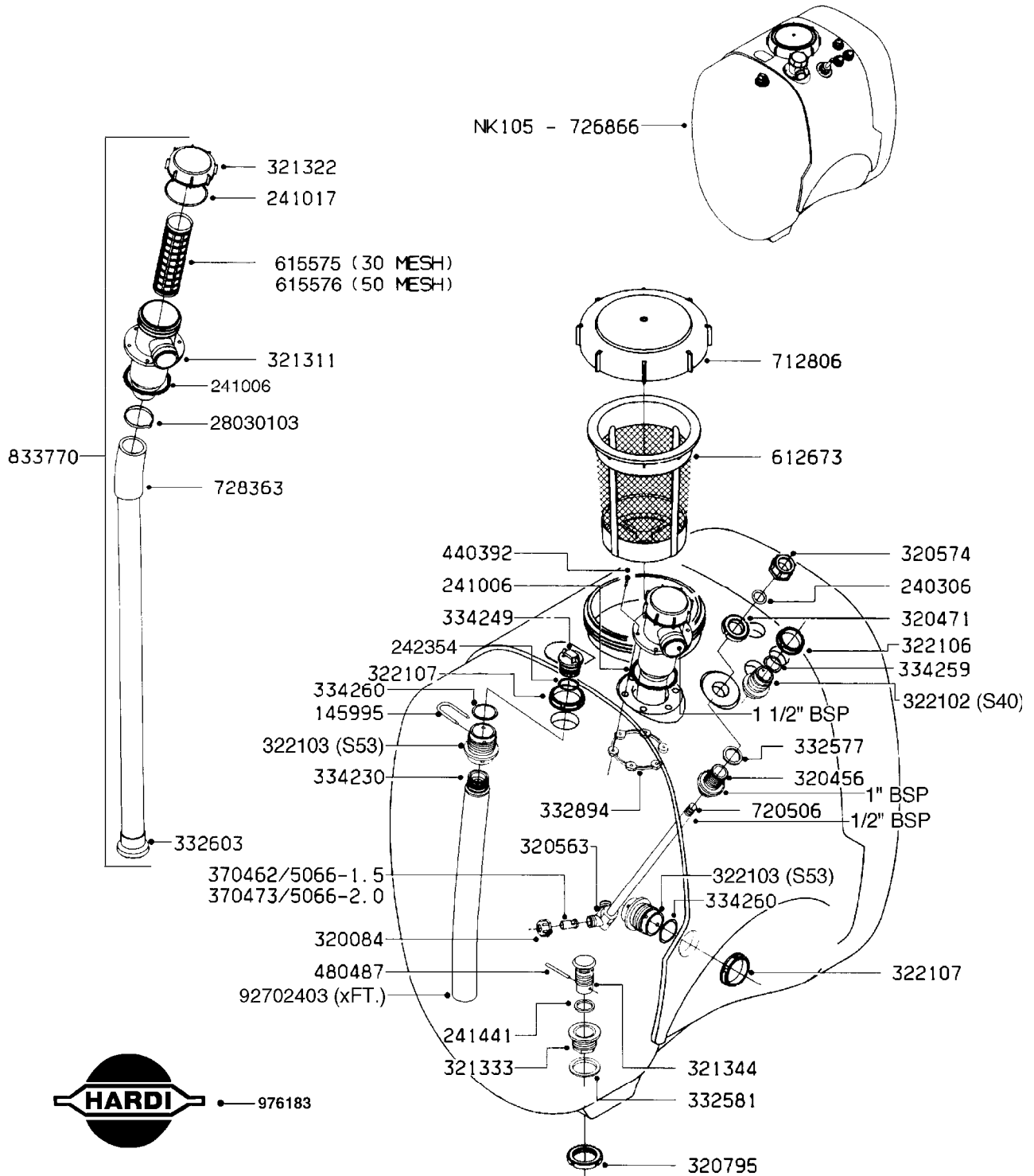
E100



TANK - NK 105 (PRE 92)
E100-HIN, 12:12:05

Page 1
Date 19.03.2013 9:50

parts-n°	order qty	description
240306	1	O-RING D29/D21X4
241006	1	O-RING D79,2X5,7 NITRIL
241017	1	O-RING D74,5X3 NITRIL
320084	1	FITT.DK NUT 1/2" BSP
320106	1	FITT.DK CAPNUT 1" BSP
320456	1	FITT.DK BULKHEAD 1"BSP DOUBLE
320467	1	FITT.DK BULKHEAD 1"BSP SINGLE
320471	1	FITT.DK NUT 1" BSP JAMB
320574	1	FITT.DK NUT 1" BSP SPECIAL
320795	1	FITT.DK NUT 1-1/2" BSP JAMB
321296	1	FITT.DK BULKHEAD 1/2" BSP SING
321307	1	FITT.DK NUT 1/2" BSP JAMB
321311	1	FILTER BODY S 80 X 4
321322	1	SCREW CAP F. S80 X 4
321333	1	FITT.DK BULK 1-1/2" X 1"F BSP
321344	1	DRAIN SCREW 1" BSP RED
330326	1	O-RING D30/D24X2 F.1"NUT
330385	1	O-RING D38,8/32,8XD3
332577	1	O-RING D38/D30X4 F.1" PUR.
332581	1	GASKET F. 1-1/2" BSP CAPNUT.
332592	1	O-RING D26/D20X3
332603	1	CAP F. SUCTION TUBE
332894	1	RETAIN.RING FOR SUCTION FILTER
340277	1	TANK PACKING - 40mm WIDE x 12"
370462	1	NOZZLE INJECTOR 5066-1.5
370473	1	NOZZLE INJECTOR 5066-2.0
440392	1	SCREW NO.14 1"
460423	1	NUT HEX M10X1.5 LOCK
480487	1	PIN M5X60 SLOTTED GALV
612673	1	FILTER BASKET F. ES30/ES53
615575	1	FILTER F.TOP SUCT.30 MESH GRN.
712806	1	TANK LID WITH VENT S226 RED
713016	1	TANK W/O FRAME NK105
720506	1	AGITATION TUBE NK 80/105
728363	1	SUCTION TUBE ASSY.L=72"
833770	1	TOP SUCTION KIT 300/500
976183	1	DECAL COMPANY 185 X 300
16032700	1	TANK STRAP 40X2.0 L=930
28030103	1	CLAMP HOSE GEAR P5/4-S1.5"6724
45000400	1	T-BOLT SPECIAL F.TANK STRAP ES



FOR CONNECTING HOSE
FITTINGS, SEE SECTION H

E110

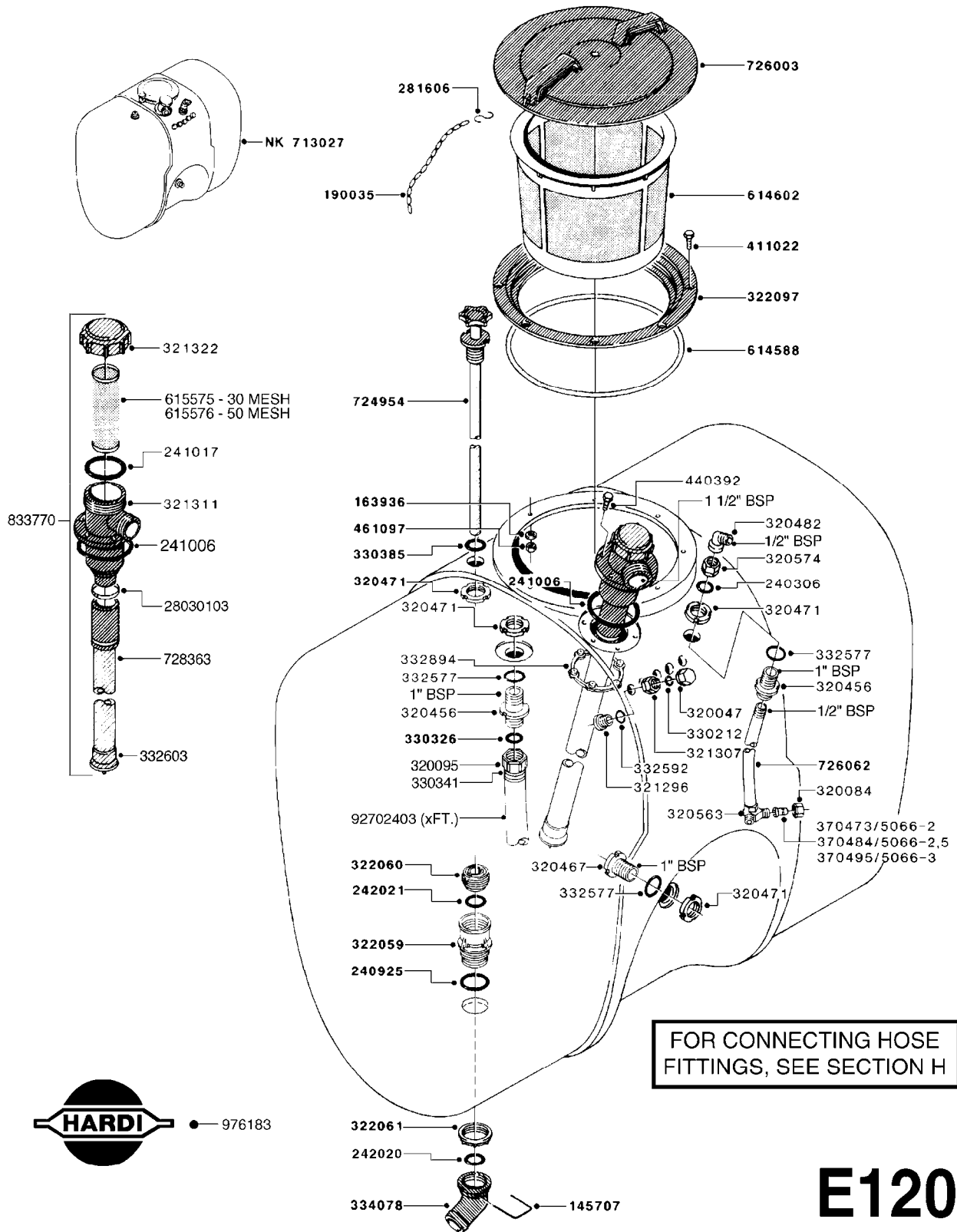


TANK - NK 105 (POST 92)
E110-HIN, 07:09:11

Page 1

Date 19.03.2013 9:50

parts-n°	order qty	description
145995	1	FITT.DK S-53 FORK
240306	1	O-RING D29/D21X4
241006	1	O-RING D79,2X5,7 NITRIL
241017	1	O-RING D74,5X3 NITRIL
241441	1	O-RING D29.3X3
242354	1	O-RING D32.2X3.0 VITON F.S-53
320084	1	FITT.DK NUT 1/2" BSP
320456	1	FITT.DK BULKHEAD 1"BSP DOUBLE
320471	1	FITT.DK NUT 1" BSP JAMB
320563	1	FITT.DK 3 WAY 1/2" 110 DEG.
320574	1	FITT.DK NUT 1" BSP SPECIAL
320795	1	FITT.DK NUT 1-1/2" BSP JAMB
321311	1	FILTER BODY S 80 X 4
321322	1	SCREW CAP F. S80 X 4
321333	1	FITT.DK BULK 1-1/2" X 1"F BSP
321344	1	DRAIN SCREW 1" BSP RED
322102	1	FITT.DK S-40 BULKHEAD
322103	1	FITT.DK S-53 BULKHEAD
322106	1	FITT.DK S-40 BULKHEAD NUT
322107	1	FITT.DK S-53 BULKHEAD NUT
332577	1	O-RING D38/D30X4 F.1" PUR.
332581	1	GASKET F. 1-1/2" BSP CAPNUT.
332603	1	CAP F. SUCTION TUBE
332894	1	RETAIN.RING FOR SUCTION FILTER
334230	1	FITT.DK S-53 STR.1"
334249	1	FITT.DK S-53 PLUG
334259	1	GASKET F. S-40 BULKHEAD
334260	1	GASKET F. S-53 BULKHEAD
370462	1	NOZZLE INJECTOR 5066-1.5
370473	1	NOZZLE INJECTOR 5066-2.0
440392	1	SCREW NO.14 1"
480487	1	PIN M5X60 SLOTTED GALV
612673	1	FILTER BASKET F. ES30/ES53
615575	1	FILTER F.TOP SUCT.30 MESH GRN.
615576	1	FILTER F.TOP SUCT.50 MESH BLUE
712806	1	TANK LID WITH VENT S226 RED
720506	1	AGITATION TUBE NK 80/105
726866	1	TANK ASSY NK105
728363	1	SUCTION TUBE ASSY.L=72"
833770	1	TOP SUCTION KIT 300/500
976183	1	DECAL COMPANY 185 X 300
28030103	1	CLAMP HOSE GEAR P5/4-S1.5"6724
92702403	1	HOSE PVC SUCT GRAY 1"

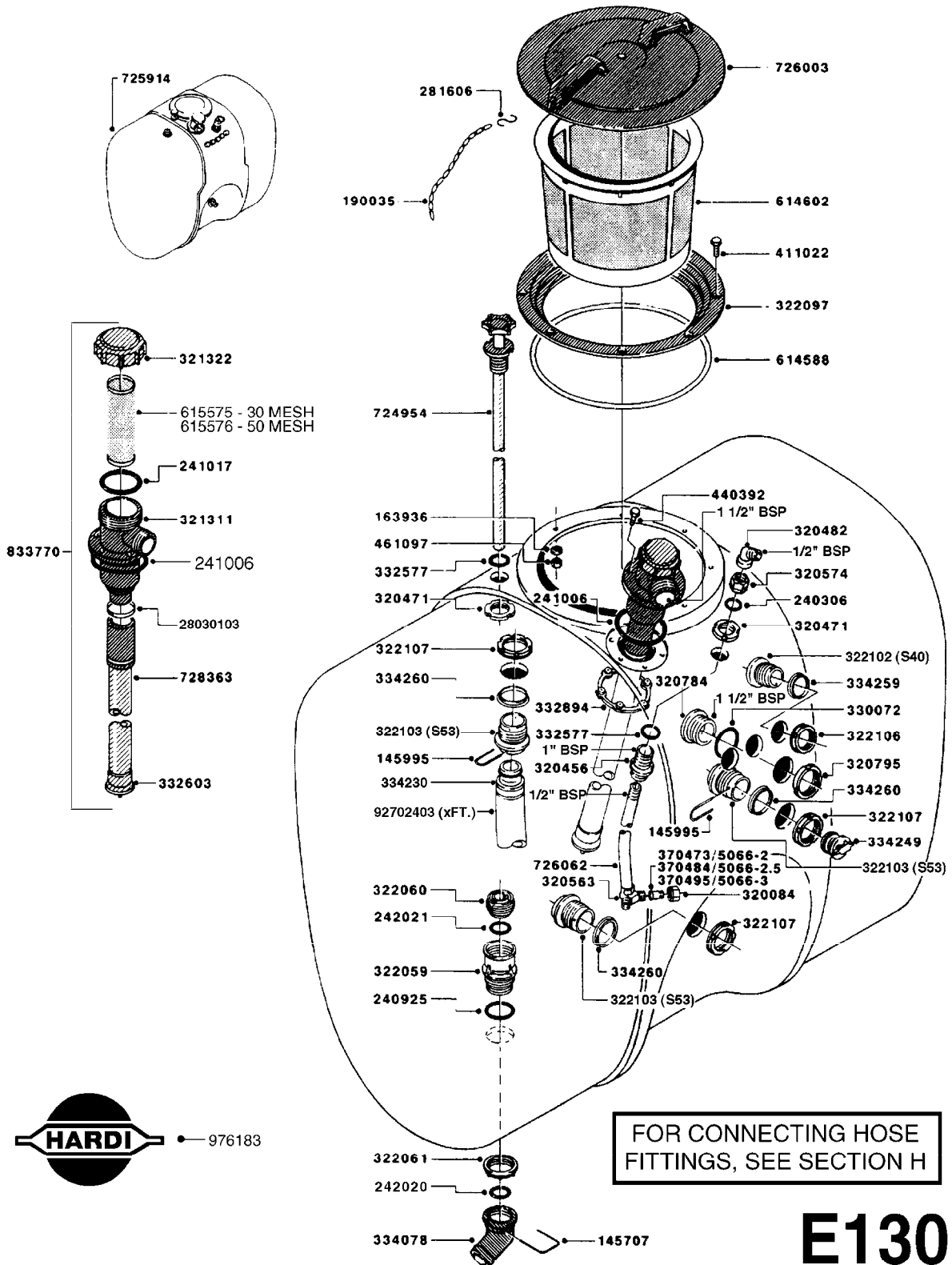




TANK - NK 155 (PRE 92)
E120-HIN, 07:09:11

Page 1
Date 19.03.2013 9:50

parts-n°	order qty	description
145707	1	LOCK CLAMP F.BOTTOM DRAIN ASSY
163936	1	WASHER D15/D6.2X1
190035	1	CHAIN 365MM
240306	1	O-RING D29/D21X4
240925	1	O-RING D49.5X3 NITRIL
241006	1	O-RING D79,2X5,7 NITRIL
241017	1	O-RING D74,5X3 NITRIL
242020	1	O-RING 39.2 X 3 VITON
242021	1	O-RING FOR BOTTOM VALVE
281606	1	S-HOOK GALVANIZED
320047	1	FITT.DK CAPNUT 1/2" BSP
320084	1	FITT.DK NUT 1/2" BSP
320095	1	FITT.DK NUT 1" BSP
320456	1	FITT.DK BULKHEAD 1"BSP DOUBLE
320467	1	FITT.DK BULKHEAD 1"BSP SINGLE
320471	1	FITT.DK NUT 1" BSP JAMB
320482	1	FITT.DK ELB. 1/2" BSP 60 DEG.
320563	1	FITT.DK 3 WAY 1/2" 110 DEG.
320574	1	FITT.DK NUT 1" BSP SPECIAL
321296	1	FITT.DK BULKHEAD 1/2" BSP SING
321307	1	FITT.DK NUT 1/2" BSP JAMB
321311	1	FILTER BODY S 80 X 4
321322	1	SCREW CAP F. S80 X 4
322059	1	BULKHEAD FOR BOTTOM VALVE
322060	1	STOPPER FOR BOTTOM VALVE
322061	1	NUT FOR BOTTOM VALVE
322097	1	THREADED RING F. LID
330212	1	O-RING D19/D14X2.4 F.1/2"NUT
330326	1	O-RING D30/D24X2 F.1"NUT
330341	1	FITT.DK HB 1" F. 1" NUT
330385	1	O-RING D38,8/32,8XD3
332577	1	O-RING D38/D30X4 F.1" PUR.
332592	1	O-RING D26/D20X3
332603	1	CAP F. SUCTION TUBE
332894	1	RETAIN.RING FOR SUCTION FILTER
334078	1	FITT.DK ELB.F.BOTTOM DRAIN ASY
370473	1	NOZZLE INJECTOR 5066-2.0
370484	1	NOZZLE INJECTOR 5066-2.5
370495	1	NOZZLE INJECTOR 5066-3.0
411022	1	SCREW M.6X30 STAINLESS PHILLIP
440392	1	SCREW NO.14 1"
461097	1	NUT M6 STAINLESS SAFETY
614588	1	SEAL F. LID
614602	1	FILTER BASKET
615575	1	FILTER F.TOP SUCT.30 MESH GRN.
615576	1	FILTER F.TOP SUCT.50 MESH BLUE
713027	1	TANK W/O FRAME MX/NK155
724954	1	BOTTOM VALVE UPPER PART 265GAL
726003	1	LID F. TANK
726062	1	AGITATION TUBE NK155
728363	1	SUCTION TUBE ASSY.L=72"
833770	1	TOP SUCTION KIT 300/500
976183	1	DECAL COMPANY 185 X 300
28030103	1	CLAMP HOSE GEAR P5/4-S1.5"6724
92702403	1	HOSE PVC SUCT GRAY 1"



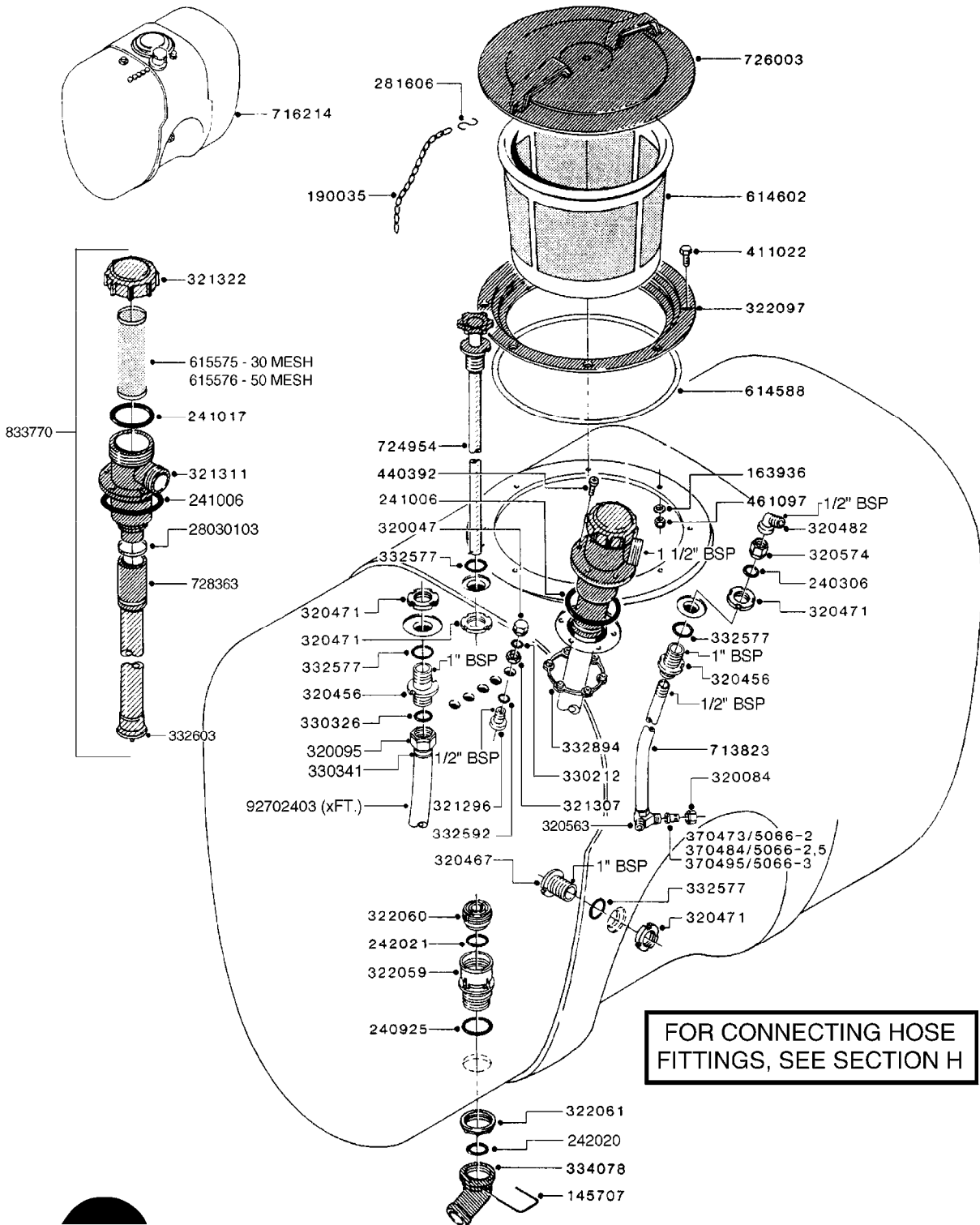
976183



TANK - NK 155 (POST 92)
E130-HIN, 07:09:11

Page 1
Date 19.03.2013 9:50

parts-n°	order qty	description
145707	1	LOCK CLAMP F.BOTTOM DRAIN ASSY
145995	1	FITT.DK S-53 FORK
163936	1	WASHER D15/D6.2X1
190035	1	CHAIN 365MM
240306	1	O-RING D29/D21X4
240925	1	O-RING D49.5X3 NITRIL
241006	1	O-RING D79,2X5,7 NITRIL
241017	1	O-RING D74,5X3 NITRIL
242020	1	O-RING 39.2 X 3 VITON
242021	1	O-RING FOR BOTTOM VALVE
281606	1	S-HOOK GALVANIZED
320084	1	FITT.DK NUT 1/2" BSP
320456	1	FITT.DK BULKHEAD 1"BSP DOUBLE
320471	1	FITT.DK NUT 1" BSP JAMB
320482	1	FITT.DK ELB. 1/2" BSP 60 DEG.
320563	1	FITT.DK 3 WAY 1/2" 110 DEG.
320574	1	FITT.DK NUT 1" BSP SPECIAL
320784	1	FITT.DK CAP 1-1/2" BSP
320795	1	FITT.DK NUT 1-1/2" BSP JAMB
321311	1	FILTER BODY S 80 X 4
321322	1	SCREW CAP F. S80 X 4
322059	1	BULKHEAD FOR BOTTOM VALVE
322060	1	STOPPER FOR BOTTOM VALVE
322061	1	NUT FOR BOTTOM VALVE
322097	1	THREADED RING F. LID
322102	1	FITT.DK S-40 BULKHEAD
322103	1	FITT.DK S-53 BULKHEAD
322106	1	FITT.DK S-40 BULKHEAD NUT
322107	1	FITT.DK S-53 BULKHEAD NUT
330072	1	O-RING D53,5/D45,5X4
332577	1	O-RING D38/D30X4 F.1" PUR.
332603	1	CAP F. SUCTION TUBE
332894	1	RETAIN.RING FOR SUCTION FILTER
334078	1	FITT.DK ELB.F.BOTTOM DRAIN ASY
334230	1	FITT.DK S-53 STR.1"
334249	1	FITT.DK S-53 PLUG
334259	1	GASKET F. S-40 BULKHEAD
334260	1	GASKET F. S-53 BULKHEAD
370473	1	NOZZLE INJECTOR 5066-2.0
370484	1	NOZZLE INJECTOR 5066-2.5
370495	1	NOZZLE INJECTOR 5066-3.0
411022	1	SCREW M.6X30 STAINLESS PHILLIP
440392	1	SCREW NO.14 1"
461097	1	NUT M6 STAINLESS SAFETY
614588	1	SEAL F. LID
614602	1	FILTER BASKET
615575	1	FILTER F.TOP SUCT.30 MESH GRN.
615576	1	FILTER F.TOP SUCT.50 MESH BLUE
724954	1	BOTTOM VALVE UPPER PART 265GAL
725914	1	TANK ASSY.COMPLETE NK 155 '92
726003	1	LID F. TANK
726062	1	AGITATION TUBE NK155
728363	1	SUCTION TUBE ASSY.L=72"
833770	1	TOP SUCTION KIT 300/500
976183	1	DECAL COMPANY 185 X 300
28030103	1	CLAMP HOSE GEAR P5/4-S1.5"6724
92702403	1	HOSE PVC SUCT GRAY 1"

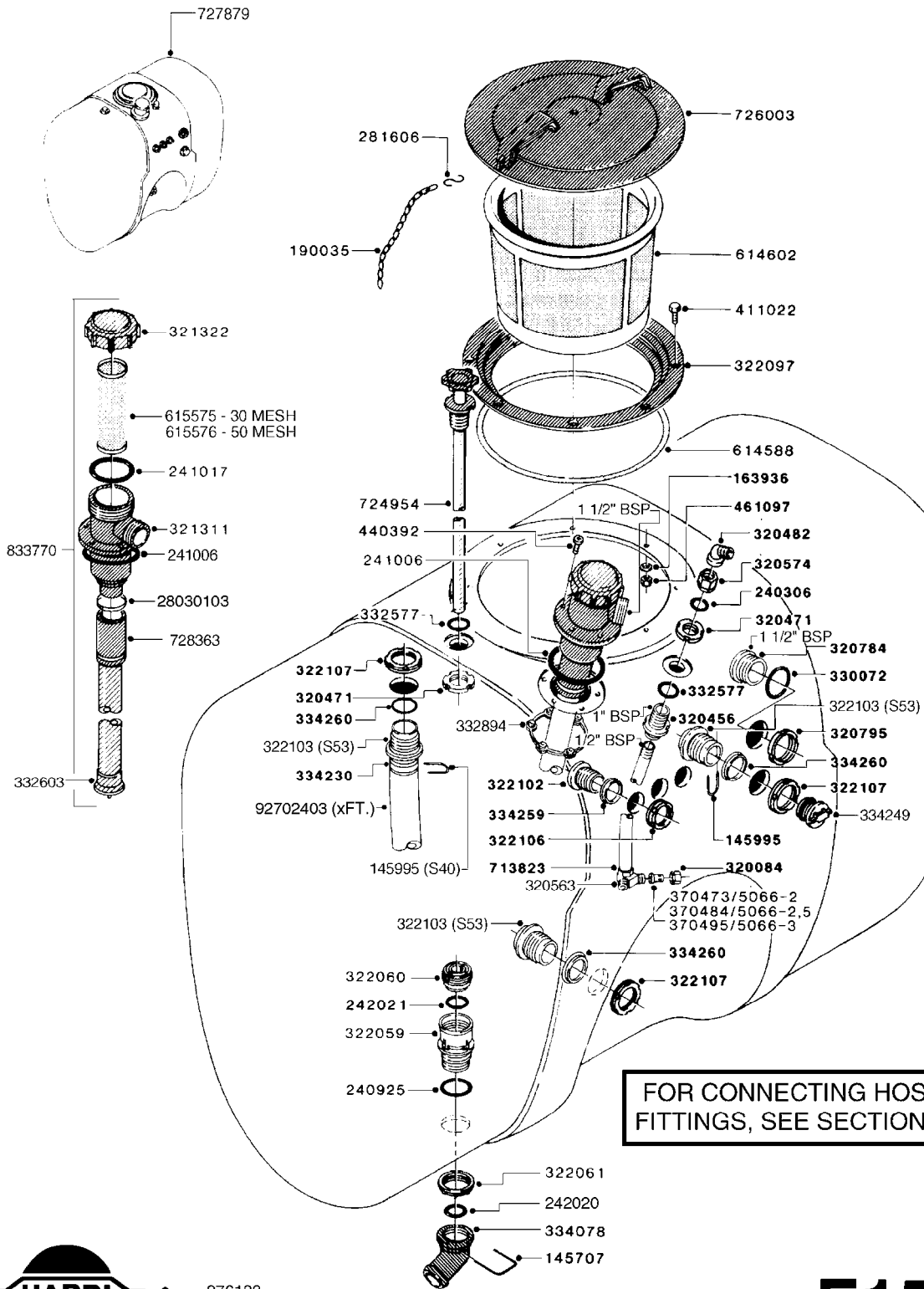




TANK - NK 210 (PRE 92)
E140-HIN, 07:09:11

Page 1
Date 19.03.2013 9:50

parts-n°	order qty	description
145707	1	LOCK CLAMP F.BOTTOM DRAIN ASSY
163936	1	WASHER D15/D6.2X1
190035	1	CHAIN 365MM
240306	1	O-RING D29/D21X4
240925	1	O-RING D49.5X3 NITRIL
241006	1	O-RING D79,2X5,7 NITRIL
241017	1	O-RING D74,5X3 NITRIL
242020	1	O-RING 39.2 X 3 VITON
242021	1	O-RING FOR BOTTOM VALVE
281606	1	S-HOOK GALVANIZED
320047	1	FITT.DK CAPNUT 1/2" BSP
320084	1	FITT.DK NUT 1/2" BSP
320095	1	FITT.DK NUT 1" BSP
320456	1	FITT.DK BULKHEAD 1"BSP DOUBLE
320467	1	FITT.DK BULKHEAD 1"BSP SINGLE
320471	1	FITT.DK NUT 1" BSP JAMB
320482	1	FITT.DK ELB. 1/2" BSP 60 DEG.
320563	1	FITT.DK 3 WAY 1/2" 110 DEG.
320574	1	FITT.DK NUT 1" BSP SPECIAL
321296	1	FITT.DK BULKHEAD 1/2" BSP SING
321307	1	FITT.DK NUT 1/2" BSP JAMB
321311	1	FILTER BODY S 80 X 4
321322	1	SCREW CAP F. S80 X 4
322059	1	BULKHEAD FOR BOTTOM VALVE
322060	1	STOPPER FOR BOTTOM VALVE
322061	1	NUT FOR BOTTOM VALVE
322097	1	THREADED RING F. LID
330212	1	O-RING D19/D14X2.4 F.1/2"NUT
330326	1	O-RING D30/D24X2 F.1"NUT
330341	1	FITT.DK HB 1" F. 1" NUT
332577	1	O-RING D38/D30X4 F.1" PUR.
332592	1	O-RING D26/D20X3
332603	1	CAP F. SUCTION TUBE
332894	1	RETAIN.RING FOR SUCTION FILTER
334078	1	FITT.DK ELB.F.BOTTOM DRAIN ASY
370473	1	NOZZLE INJECTOR 5066-2.0
370484	1	NOZZLE INJECTOR 5066-2.5
370495	1	NOZZLE INJECTOR 5066-3.0
411022	1	SCREW M.6X30 STAINLESS PHILLIP
440392	1	SCREW NO.14 1"
461097	1	NUT M6 STAINLESS SAFETY
614588	1	SEAL F. LID
614602	1	FILTER BASKET
615575	1	FILTER F.TOP SUCT.30 MESH GRN.
615576	1	FILTER F.TOP SUCT.50 MESH BLUE
713823	1	AGITATION TUBE CPL.NK210
716214	1	TANK NK 210 3 PT.
724954	1	BOTTOM VALVE UPPER PART 265GAL
726003	1	LID F. TANK
728363	1	SUCTION TUBE ASSY.L=72"
833770	1	TOP SUCTION KIT 300/500
976183	1	DECAL COMPANY 185 X 300
28030103	1	CLAMP HOSE GEAR P5/4-S1.5"6724
92702403	1	HOSE PVC SUCT GRAY 1"



FOR CONNECTING HOSE FITTINGS, SEE SECTION H



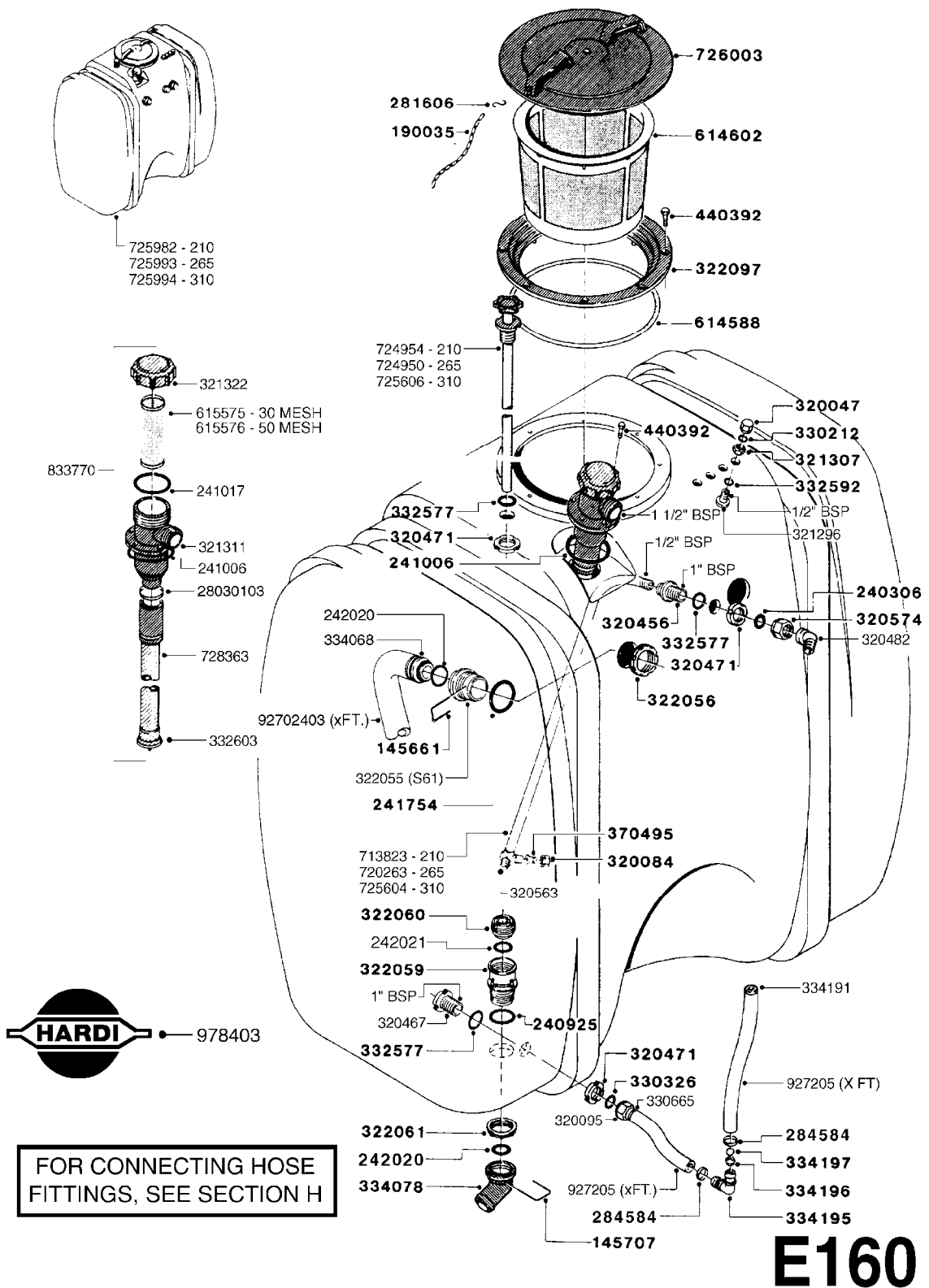


TANK - NK 210 (POST 92)
E150-HIN, 07:09:11

Page 1

Date 19.03.2013 9:50

parts-n°	order qty	description
145707	1	LOCK CLAMP F.BOTTOM DRAIN ASSY
145995	1	FITT.DK S-53 FORK
163936	1	WASHER D15/D6.2X1
190035	1	CHAIN 365MM
240306	1	O-RING D29/D21X4
240925	1	O-RING D49.5X3 NITRIL
241006	1	O-RING D79,2X5,7 NITRIL
241017	1	O-RING D74,5X3 NITRIL
242020	1	O-RING 39.2 X 3 VITON
242021	1	O-RING FOR BOTTOM VALVE
281606	1	S-HOOK GALVANIZED
320084	1	FITT.DK NUT 1/2" BSP
320456	1	FITT.DK BULKHEAD 1"BSP DOUBLE
320471	1	FITT.DK NUT 1" BSP JAMB
320482	1	FITT.DK ELB. 1/2" BSP 60 DEG.
320563	1	FITT.DK 3 WAY 1/2" 110 DEG.
320574	1	FITT.DK NUT 1" BSP SPECIAL
320784	1	FITT.DK CAP 1-1/2" BSP
320795	1	FITT.DK NUT 1-1/2" BSP JAMB
321311	1	FILTER BODY S 80 X 4
321322	1	SCREW CAP F. S80 X 4
322059	1	BULKHEAD FOR BOTTOM VALVE
322060	1	STOPPER FOR BOTTOM VALVE
322061	1	NUT FOR BOTTOM VALVE
322097	1	THREADED RING F. LID
322102	1	FITT.DK S-40 BULKHEAD
322103	1	FITT.DK S-53 BULKHEAD
322106	1	FITT.DK S-40 BULKHEAD NUT
322107	1	FITT.DK S-53 BULKHEAD NUT
330072	1	O-RING D53,5/D45,5X4
332577	1	O-RING D38/D30X4 F.1" PUR.
332603	1	CAP F. SUCTION TUBE
332894	1	RETAIN.RING FOR SUCTION FILTER
334078	1	FITT.DK ELB.F.BOTTOM DRAIN ASY
334230	1	FITT.DK S-53 STR.1"
334249	1	FITT.DK S-53 PLUG
334259	1	GASKET F. S-40 BULKHEAD
334260	1	GASKET F. S-53 BULKHEAD
370473	1	NOZZLE INJECTOR 5066-2.0
370484	1	NOZZLE INJECTOR 5066-2.5
370495	1	NOZZLE INJECTOR 5066-3.0
411022	1	SCREW M.6X30 STAINLESS PHILLIP
440392	1	SCREW NO.14 1"
461097	1	NUT M6 STAINLESS SAFETY
614588	1	SEAL F. LID
614602	1	FILTER BASKET
615575	1	FILTER F.TOP SUCT.30 MESH GRN.
615576	1	FILTER F.TOP SUCT.50 MESH BLUE
713823	1	AGITATION TUBE CPL.NK210
724954	1	BOTTOM VALVE UPPER PART 265GAL
726003	1	LID F. TANK
727879	1	TANK ASSY. NK210
728363	1	SUCTION TUBE ASSY.L=72"
833770	1	TOP SUCTION KIT 300/500
976183	1	DECAL COMPANY 185 X 300
28030103	1	CLAMP HOSE GEAR P5/4-S1.5"6724
92702403	1	HOSE PVC SUCT GRAY 1"





TANK - LX 210/265/310 (PRE 88)
E160-HIN, 07:09:11

Page 1

Date 19.03.2013 9:50

parts-n°	order qty	description
145661	1	FITT.DK S-61 FORK
145707	1	LOCK CLAMP F.BOTTOM DRAIN ASSY
190035	1	CHAIN 365MM
240306	1	O-RING D29/D21X4
240925	1	O-RING D49.5X3 NITRIL
241006	1	O-RING D79,2X5,7 NITRIL
241017	1	O-RING D74,5X3 NITRIL
241754	1	O-RING D59,5X3
242020	1	O-RING 39.2 X 3 VITON
242021	1	O-RING FOR BOTTOM VALVE
281606	1	S-HOOK GALVANIZED
284584	1	CLAMP HOSE GEAR 3/4" MINI 012
320047	1	FITT.DK CAPNUT 1/2" BSP
320084	1	FITT.DK NUT 1/2" BSP
320095	1	FITT.DK NUT 1" BSP
320456	1	FITT.DK BULKHEAD 1"BSP DOUBLE
320467	1	FITT.DK BULKHEAD 1"BSP SINGLE
320471	1	FITT.DK NUT 1" BSP JAMB
320482	1	FITT.DK ELB. 1/2" BSP 60 DEG.
320563	1	FITT.DK 3 WAY 1/2" 110 DEG.
320574	1	FITT.DK NUT 1" BSP SPECIAL
321296	1	FITT.DK BULKHEAD 1/2" BSP SING
321307	1	FITT.DK NUT 1/2" BSP JAMB
321311	1	FILTER BODY S 80 X 4
321322	1	SCREW CAP F. S80 X 4
322055	1	FITT.DK S-61 BULKHEAD
322056	1	FITT.DK S-61 BULKHEAD NUT
322059	1	BULKHEAD FOR BOTTOM VALVE
322060	1	STOPPER FOR BOTTOM VALVE
322061	1	NUT FOR BOTTOM VALVE
322097	1	THREADED RING F. LID
330212	1	O-RING D19/D14X2.4 F.1/2"NUT
330326	1	O-RING D30/D24X2 F.1"NUT
330665	1	FITT.DK HB 3/4"F.1" NUT
332577	1	O-RING D38/D30X4 F.1" PUR.
332592	1	O-RING D26/D20X3
332603	1	CAP F. SUCTION TUBE
334068	1	FITT.DK S-61 STR.1"
334078	1	FITT.DK ELB.F.BOTTOM DRAIN ASY
334191	1	PLUG F. LIQUID TUBE
334195	1	FITT.DK ELB. 3/4"HB X 3/4"HB
334196	1	PLUG F. LIQUID LEV. INDICATOR
334197	1	BALL F. LIQUID LEV. INDICATOR
370495	1	NOZZLE INJECTOR 5066-3.0
440392	1	SCREW NO.14 1"
614588	1	SEAL F. LID
614602	1	FILTER BASKET
615575	1	FILTER F.TOP SUCT.30 MESH GRN.
615576	1	FILTER F.TOP SUCT.50 MESH BLUE
713823	1	AGITATION TUBE CPL.NK210
720263	1	AGITATION TUBE LX/LY 265
724950	1	DRAIN HANDLE ASSY./SCREW TYPE
724954	1	BOTTOM VALVE UPPER PART 265GAL
725604	1	AGITATION TUBE CPL LX/LY 310
725606	1	BOTTOM VALVE UPPER PART 310GAL
725982	1	TANK W.O/FRAME 800L LX MB/HB .
725993	1	TANK W/Q FRAME 1000 L MB/HB ..
725994	1	TANK W/0 CUVE 1200 L LX
726003	1	LID F. TANK
728363	1	SUCTION TUBE ASSY.L=72"
833770	1	TOP SUCTION KIT 300/500

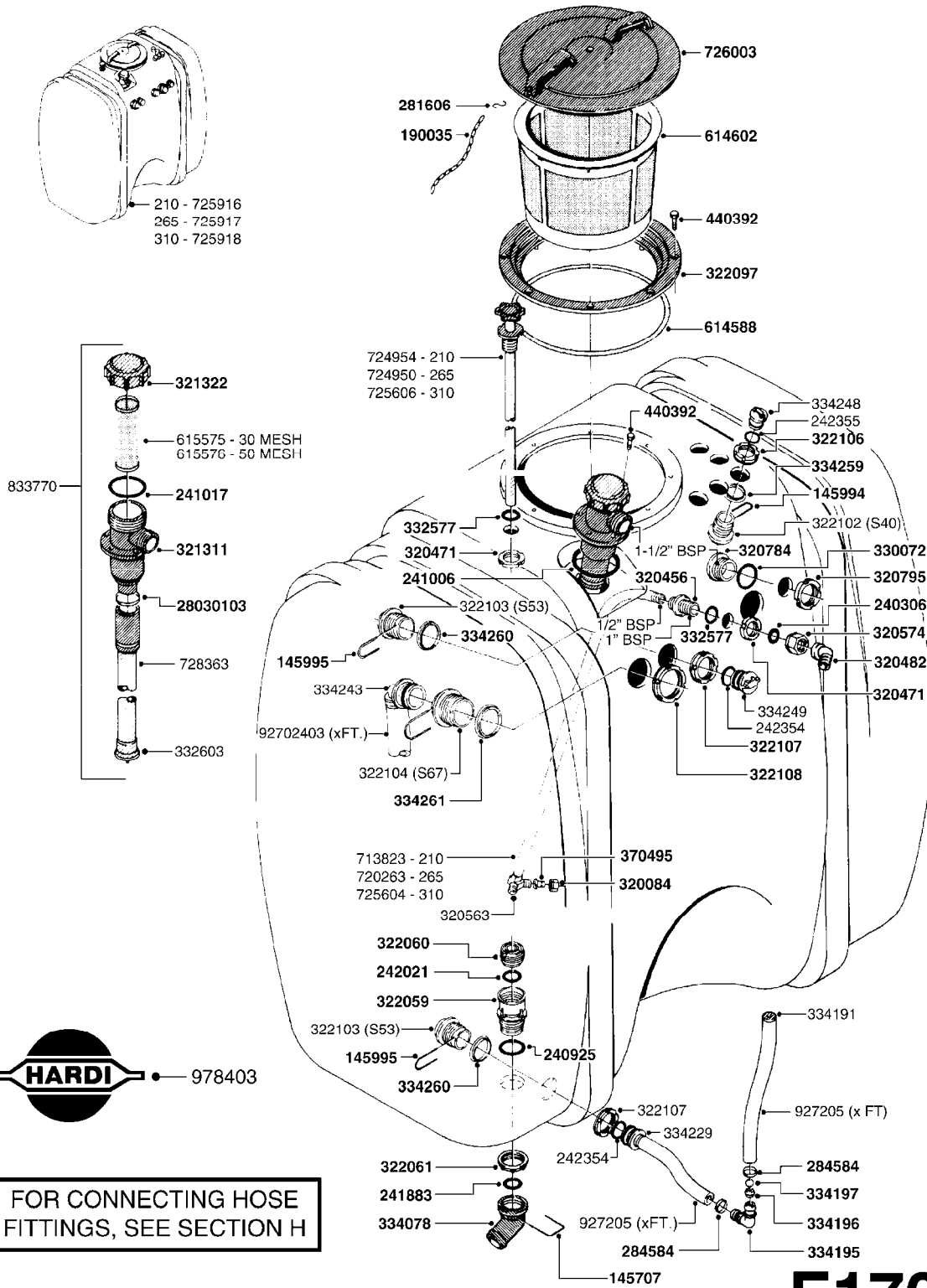


TANK - LX 210/265/310 (PRE 88)
E160-HIN, 07:09:11

Page 2

Date 19.03.2013 9:50

parts-n°	order qty	description
927205	1	HOSE R X CLEAR X 3/4 X 0012"
978403	1	DECAL COMPANY 280 X 450
28030103	1	CLAMP HOSE GEAR P5/4-S1.5"6724
92702403	1	HOSE PVC SUCT GRAY 1"



FOR CONNECTING HOSE
FITTINGS, SEE SECTION H

E170



TANK- LX 210/265/310 (POST 88)
E170-HIN, 05:05:11

Page 1

Date 19.03.2013 9:50

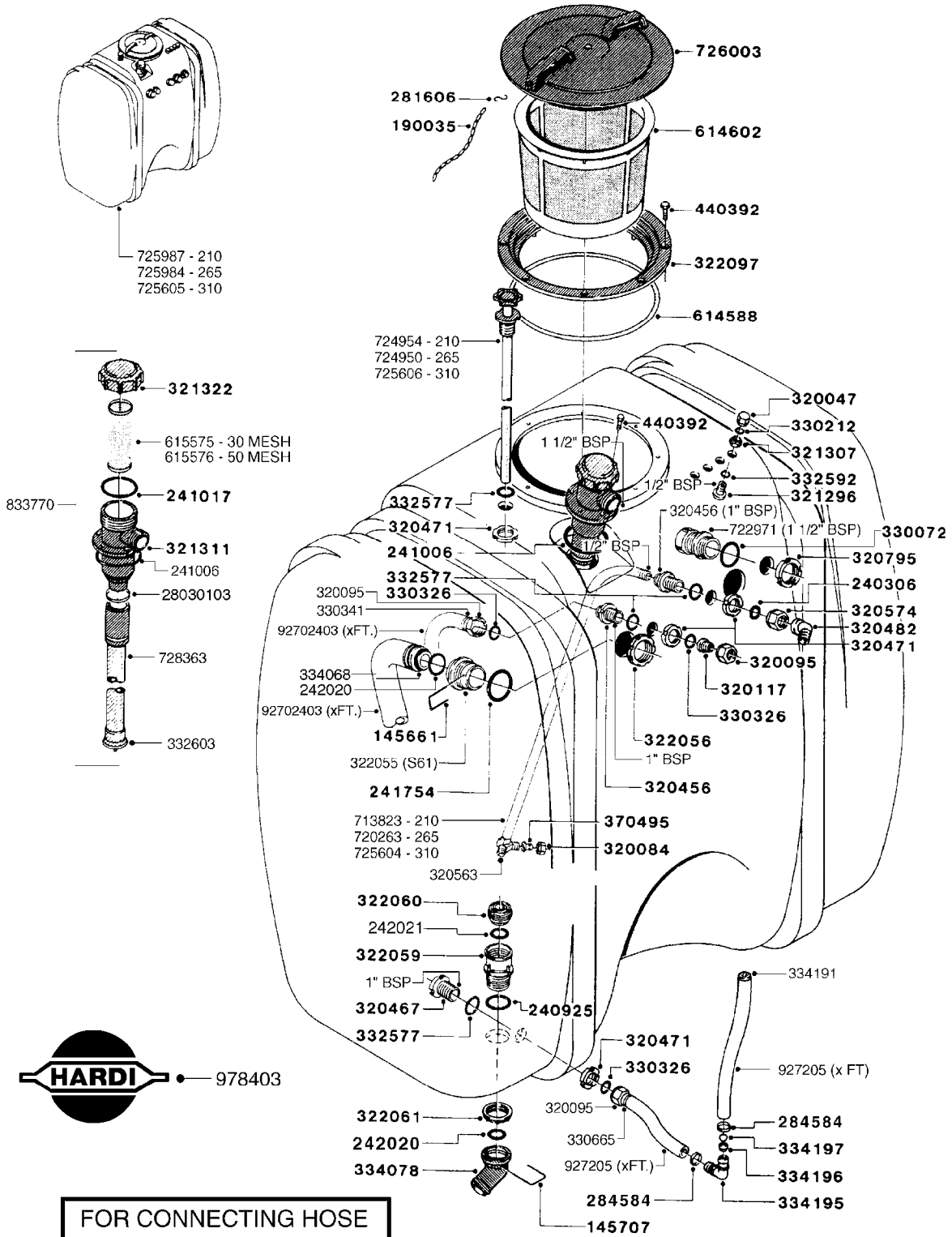
parts-n°	order qty	description
145707	1	LOCK CLAMP F.BOTTOM DRAIN ASSY
145994	1	FITT.DK S-40 FORK
145995	1	FITT.DK S-53 FORK
190035	1	CHAIN 365MM
240306	1	O-RING D29/D21X4
240925	1	O-RING D49.5X3 NITRIL
241006	1	O-RING D79,2X5,7 NITRIL
241017	1	O-RING D74,5X3 NITRIL
241883	1	O-RING D39.2X3 NITRIL
242021	1	O-RING FOR BOTTOM VALVE
242354	1	O-RING D32.2X3.0 VITON F.S-53
242355	1	O-RING D19.2X3.0 VITON F.S-40
281606	1	S-HOOK GALVANIZED
284584	1	CLAMP HOSE GEAR 3/4" MINI 012
320084	1	FITT.DK NUT 1/2" BSP
320456	1	FITT.DK BULKHEAD 1"BSP DOUBLE
320471	1	FITT.DK NUT 1" BSP JAMB
320482	1	FITT.DK ELB. 1/2" BSP 60 DEG.
320563	1	FITT.DK 3 WAY 1/2" 110 DEG.
320574	1	FITT.DK NUT 1" BSP SPECIAL
320784	1	FITT.DK CAP 1-1/2" BSP
320795	1	FITT.DK NUT 1-1/2" BSP JAMB
321311	1	FILTER BODY S 80 X 4
321322	1	SCREW CAP F. S80 X 4
322059	1	BULKHEAD FOR BOTTOM VALVE
322060	1	STOPPER FOR BOTTOM VALVE
322061	1	NUT FOR BOTTOM VALVE
322097	1	THREADED RING F. LID
322102	1	FITT.DK S-40 BULKHEAD
322103	1	FITT.DK S-53 BULKHEAD
322104	1	FITT.DK S-67 BULKHEAD
322106	1	FITT.DK S-40 BULKHEAD NUT
322107	1	FITT.DK S-53 BULKHEAD NUT
322108	1	FITT.DK S-67 BULKHEAD NUT
330072	1	O-RING D53,5/D45,5X4
332577	1	O-RING D38/D30X4 F.1" PUR.
332603	1	CAP F. SUCTION TUBE
334078	1	FITT.DK ELB.F.BOTTOM DRAIN ASY
334191	1	PLUG F. LIQUID TUBE
334195	1	FITT.DK ELB. 3/4"HB X 3/4"HB
334196	1	PLUG F. LIQUID LEV. INDICATOR
334197	1	BALL F. LIQUID LEV. INDICATOR
334229	1	FITT.DK S-53 STR.3/4"
334243	1	FITT.DK S-67 ELB.1"
334248	1	FITT.DK S-40 PLUG
334249	1	FITT.DK S-53 PLUG
334259	1	GASKET F. S-40 BULKHEAD
334260	1	GASKET F. S-53 BULKHEAD
334261	1	GASKET F. S-67 BULKHEAD
370495	1	NOZZLE INJECTOR 5066-3.0
440392	1	SCREW NO.14 1"
614588	1	SEAL F. LID
614602	1	FILTER BASKET
615575	1	FILTER F.TOP SUCT.30 MESH GRN.
615576	1	FILTER F.TOP SUCT.50 MESH BLUE
713823	1	AGITATION TUBE CPL.NK210
720263	1	AGITATION TUBE LX/LY 265
724950	1	DRAIN HANDLE ASSY./SCREW TYPE
724954	1	BOTTOM VALVE UPPER PART 265GAL
725604	1	AGITATION TUBE CPL LX/LY 310
725606	1	BOTTOM VALVE UPPER PART 310GAL



TANK- LX 210/265/310 (POST 88)
E170-HIN, 05:05:11

Page 2
Date 19.03.2013 9:50

parts-n°	order qty	description
725916	1	TANK W/O FRAME MB/HB 800 88
725917	1	tank w/o frame mb/hb 1000 -88
725918	1	TANK W/O FRAME MB/HB 1200
726003	1	LID F. TANK
728363	1	SUCTION TUBE ASSY.L=72"
833770	1	TOP SUCTION KIT 300/500
927205	1	HOSE R X CLEAR X 3/4 X 0012"
978403	1	DECAL COMPANY 280 X 450
28030103	1	CLAMP HOSE GEAR P5/4-S1.5"6724
92702403	1	HOSE PVC SUCT GRAY 1"



FOR CONNECTING HOSE
FITTINGS, SEE SECTION H

E180



TANK - LY 210/265/310 (PRE 88)
E180-HIN, 07:09:11

Page 1

Date 19.03.2013 9:50

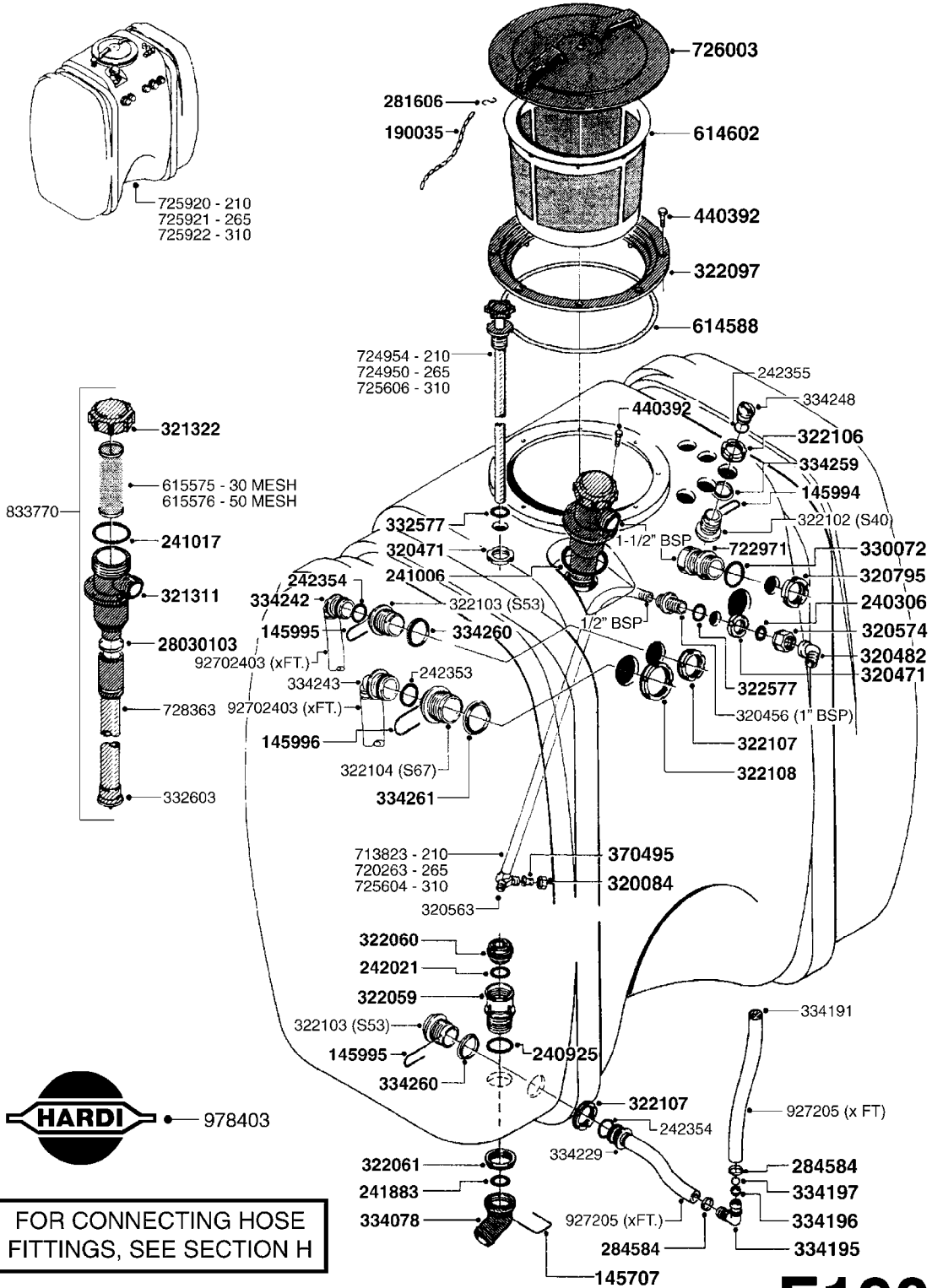
parts-n°	order qty	description
145661	1	FITT.DK S-61 FORK
145707	1	LOCK CLAMP F.BOTTOM DRAIN ASSY
190035	1	CHAIN 365MM
240306	1	O-RING D29/D21X4
240925	1	O-RING D49.5X3 NITRIL
241006	1	O-RING D79,2X5,7 NITRIL
241017	1	O-RING D74,5X3 NITRIL
241754	1	O-RING D59,5X3
242020	1	O-RING 39.2 X 3 VITON
242021	1	O-RING FOR BOTTOM VALVE
281606	1	S-HOOK GALVANIZED
284584	1	CLAMP HOSE GEAR 3/4" MINI 012
320047	1	FITT.DK CAPNUT 1/2" BSP
320084	1	FITT.DK NUT 1/2" BSP
320095	1	FITT.DK NUT 1" BSP
320117	1	FITT.DK CONN.1/2"BSP F. 1" CAP
320456	1	FITT.DK BULKHEAD 1"BSP DOUBLE
320467	1	FITT.DK BULKHEAD 1"BSP SINGLE
320471	1	FITT.DK NUT 1" BSP JAMB
320482	1	FITT.DK ELB. 1/2" BSP 60 DEG.
320563	1	FITT.DK 3 WAY 1/2" 110 DEG.
320574	1	FITT.DK NUT 1" BSP SPECIAL
320795	1	FITT.DK NUT 1-1/2" BSP JAMB
321296	1	FITT.DK BULKHEAD 1/2" BSP SING
321307	1	FITT.DK NUT 1/2" BSP JAMB
321311	1	FILTER BODY S 80 X 4
321322	1	SCREW CAP F. S80 X 4
322055	1	FITT.DK S-61 BULKHEAD
322056	1	FITT.DK S-61 BULKHEAD NUT
322059	1	BULKHEAD FOR BOTTOM VALVE
322060	1	STOPPER FOR BOTTOM VALVE
322061	1	NUT FOR BOTTOM VALVE
322097	1	THREADED RING F. LID
330072	1	O-RING D53,5/D45,5X4
330212	1	O-RING D19/D14X2.4 F.1/2"NUT
330326	1	O-RING D30/D24X2 F.1"NUT
330341	1	FITT.DK HB 1" F. 1" NUT
330665	1	FITT.DK HB 3/4"F.1" NUT
332577	1	O-RING D38/D30X4 F.1" PUR.
332592	1	O-RING D26/D20X3
332603	1	CAP F. SUCTION TUBE
334068	1	FITT.DK S-61 STR.1"
334078	1	FITT.DK ELB.F.BOTTOM DRAIN ASY
334191	1	PLUG F. LIQUID TUBE
334195	1	FITT.DK ELB. 3/4"HB X 3/4"HB
334196	1	PLUG F. LIQUID LEV. INDICATOR
334197	1	BALL F. LIQUID LEV. INDICATOR
370495	1	NOZZLE INJECTOR 5066-3.0
440392	1	SCREW NO.14 1"
614588	1	SEAL F. LID
614602	1	FILTER BASKET
615575	1	FILTER F.TOP SUCT.30 MESH GRN.
615576	1	FILTER F.TOP SUCT.50 MESH BLUE
713823	1	AGITATION TUBE CPL.NK210
720263	1	AGITATION TUBE LX/LY 265
722971	1	SAFETY VALVE SCF 217PSI(15BAR)
724950	1	DRAIN HANDLE ASSY./SCREW TYPE
724954	1	BOTTOM VALVE UPPER PART 265GAL
725604	1	AGITATION TUBE CPL LX/LY 310
725605	1	TANK WO/FRAME 1200 L LY/LHY ..
725606	1	BOTTOM VALVE UPPER PART 310GAL



TANK - LY 210/265/310 (PRE 88)
E180-HIN, 07:09:11

Page 2
Date 19.03.2013 9:50

parts-n°	order qty	description
725984	1	TANK W/O FRAME LHAZ/LHY 1000 L
725987	1	TANK W/O FRAME LHZ/LHY 800 L .
726003	1	LID F. TANK
728363	1	SUCTION TUBE ASSY.L=72"
833770	1	TOP SUCTION KIT 300/500
927205	1	HOSE R X CLEAR X 3/4 X 0012"
978403	1	DECAL COMPANY 280 X 450
28030103	1	CLAMP HOSE GEAR P5/4-S1.5"6724
92702403	1	HOSE PVC SUCT GRAY 1"



FOR CONNECTING HOSE FITTINGS, SEE SECTION H

E190



TANK LY/LA 210/265/310 POST 88
E190-HIN, 17:05:11

Page 1

Date 19.03.2013 9:50

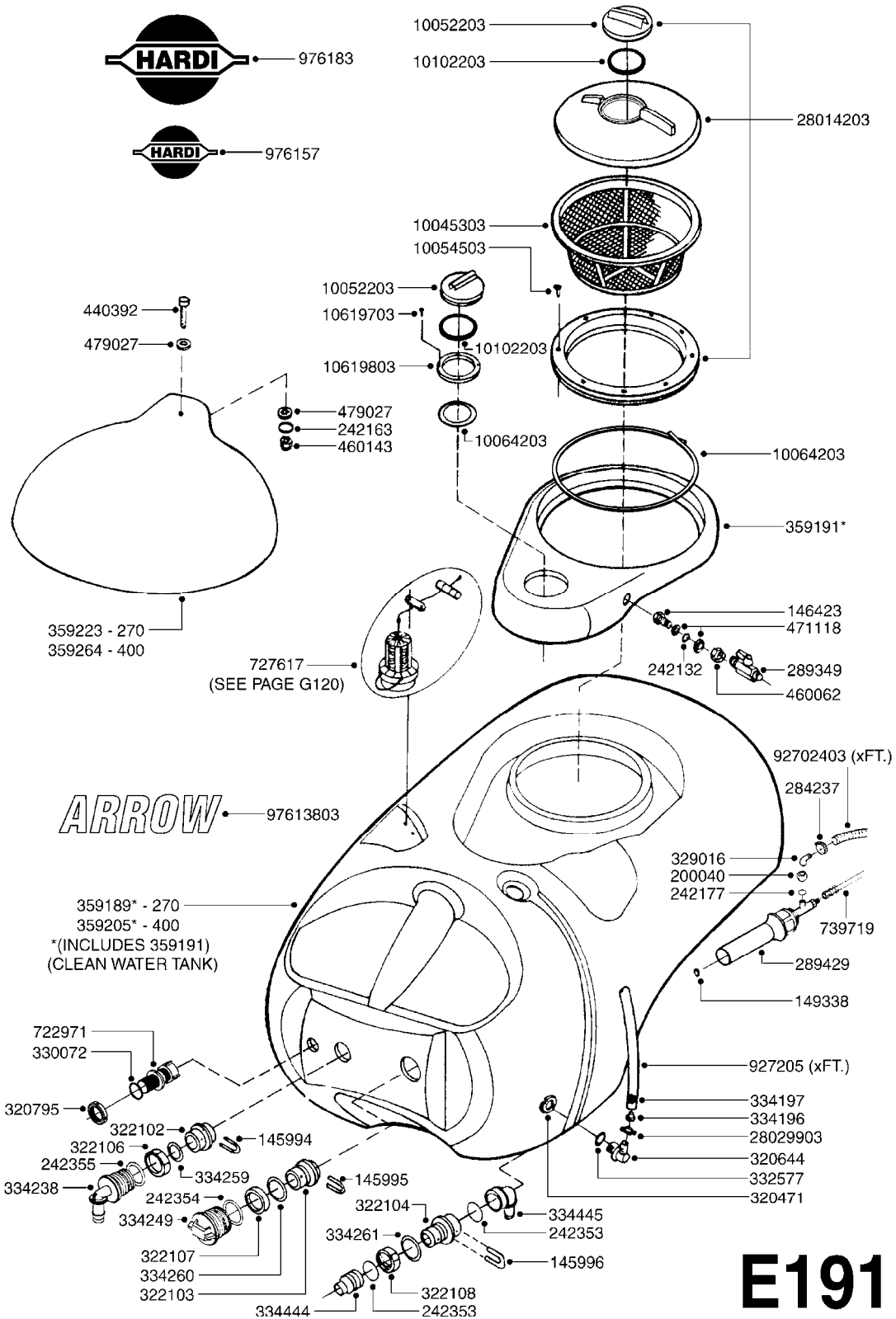
parts-n°	order qty	description
145707	1	LOCK CLAMP F.BOTTOM DRAIN ASSY
145994	1	FITT.DK S-40 FORK
145995	1	FITT.DK S-53 FORK
145996	1	FITT.DK S-67 FORK
190035	1	CHAIN 365MM
240306	1	O-RING D29/D21X4
240925	1	O-RING D49.5X3 NITRIL
241006	1	O-RING D79,2X5,7 NITRIL
241017	1	O-RING D74,5X3 NITRIL
241883	1	O-RING D39.2X3 NITRIL
242021	1	O-RING FOR BOTTOM VALVE
242353	1	O-RING D44.2X3.0 VITON F.S-67
242354	1	O-RING D32.2X3.0 VITON F.S-53
242355	1	O-RING D19.2X3.0 VITON F.S-40
281606	1	S-HOOK GALVANIZED
284584	1	CLAMP HOSE GEAR 3/4" MINI 012
320084	1	FITT.DK NUT 1/2" BSP
320456	1	FITT.DK BULKHEAD 1"BSP DOUBLE
320471	1	FITT.DK NUT 1" BSP JAMB
320482	1	FITT.DK ELB. 1/2" BSP 60 DEG.
320563	1	FITT.DK 3 WAY 1/2" 110 DEG.
320574	1	FITT.DK NUT 1" BSP SPECIAL
320795	1	FITT.DK NUT 1-1/2" BSP JAMB
321311	1	FILTER BODY S 80 X 4
321322	1	SCREW CAP F. S80 X 4
322059	1	BULKHEAD FOR BOTTOM VALVE
322060	1	STOPPER FOR BOTTOM VALVE
322061	1	NUT FOR BOTTOM VALVE
322097	1	THREADED RING F. LID
322102	1	FITT.DK S-40 BULKHEAD
322103	1	FITT.DK S-53 BULKHEAD
322104	1	FITT.DK S-67 BULKHEAD
322106	1	FITT.DK S-40 BULKHEAD NUT
322107	1	FITT.DK S-53 BULKHEAD NUT
322108	1	FITT.DK S-67 BULKHEAD NUT
330072	1	O-RING D53,5/D45,5X4
332577	1	O-RING D38/D30X4 F.1" PUR.
332603	1	CAP F. SUCTION TUBE
334078	1	FITT.DK ELB.F.BOTTOM DRAIN ASY
334191	1	PLUG F. LIQUID TUBE
334195	1	FITT.DK ELB. 3/4"HB X 3/4"HB
334196	1	PLUG F. LIQUID LEV. INDICATOR
334197	1	BALL F. LIQUID LEV. INDICATOR
334229	1	FITT.DK S-53 STR.3/4"
334242	1	FITT.DK S-53 ELB.1"
334243	1	FITT.DK S-67 ELB.1"
334248	1	FITT.DK S-40 PLUG
334259	1	GASKET F. S-40 BULKHEAD
334260	1	GASKET F. S-53 BULKHEAD
334261	1	GASKET F. S-67 BULKHEAD
370495	1	NOZZLE INJECTOR 5066-3.0
440392	1	SCREW NO.14 1"
614588	1	SEAL F. LID
614602	1	FILTER BASKET
615575	1	FILTER F.TOP SUCT.30 MESH GRN.
615576	1	FILTER F.TOP SUCT.50 MESH BLUE
713823	1	AGITATION TUBE CPL.NK210
720263	1	AGITATION TUBE LX/LY 265
722971	1	SAFETY VALVE SCF 217PSI(15BAR)
724950	1	DRAIN HANDLE ASSY./SCREW TYPE
724954	1	BOTTOM VALVE UPPER PART 265GAL



TANK LY/LA 210/265/310 POST 88
E190-HIN, 17:05:11

Page 2
Date 19.03.2013 9:50

parts-n°	order qty	description
725604	1	AGITATION TUBE CPL LX/LY 310
725606	1	BOTTOM VALVE UPPER PART 310GAL
725920	1	TANK 210/LHZ/LHY
725921	1	TANK 265 LHZ/LHY
725922	1	TANK W/O FRAME 12HY/LHY 310GAL
726003	1	LID F. TANK
728363	1	SUCTION TUBE ASSY.L=72"
833770	1	TOP SUCTION KIT 300/500
927205	1	HOSE R X CLEAR X 3/4 X 0012"
978403	1	DECAL COMPANY 280 X 450
28030103	1	CLAMP HOSE GEAR P5/4-S1.5"6724
92702403	1	HOSE PVC SUCT GRAY 1"



E191



TANK - ARROW 270/400
E191-HIN, 21:09:11

Page 1

Date 19.03.2013 9:50

parts-n°	order qty	description
145994	1	FITT.DK S-40 FORK
145995	1	FITT.DK S-53 FORK
145996	1	FITT.DK S-67 FORK
146423	1	INSERT 3/8" BRASS
149338	1	INTERMIX JET 5MM
200040	1	FITT. ARAG 1"
242132	1	O-RING 21 X 15 X 3
242163	1	O-RING 8 X 3
242177	1	O-RING D25.4 X 20.2 X 2.6
242353	1	O-RING D44.2X3.0 VITON F.S-67
242354	1	O-RING D32.2X3.0 VITON F.S-53
242355	1	O-RING D19.2X3.0 VITON F.S-40
284237	1	CLAMP HOSE GEAR D20/30
289349	1	BALL VALVE 3/8" M-H
289429	1	AGITATION INJECTOR DUAL INPUT
320471	1	FITT.DK NUT 1" BSP JAMB
320644	1	FITT.DK ELB.3/4" HB X 1" BSP
320795	1	FITT.DK NUT 1-1/2" BSP JAMB
322102	1	FITT.DK S-40 BULKHEAD
322103	1	FITT.DK S-53 BULKHEAD
322104	1	FITT.DK S-67 BULKHEAD
322106	1	FITT.DK S-40 BULKHEAD NUT
322107	1	FITT.DK S-53 BULKHEAD NUT
322108	1	FITT.DK S-67 BULKHEAD NUT
329016	1	MOUNT BRACKET ILEMO
330072	1	O-RING D53,5/D45,5X4
332577	1	O-RING D38/D30X4 F.1" PUR.
334196	1	PLUG F. LIQUID LEV. INDICATOR
334197	1	BALL F. LIQUID LEV. INDICATOR
334238	1	FITT.DK S-40 ELB.1/2"
334249	1	FITT.DK S-53 PLUG
334259	1	GASKET F. S-40 BULKHEAD
334260	1	GASKET F. S-53 BULKHEAD
334261	1	GASKET F. S-67 BULKHEAD
334444	1	FITT.DK S-67 STR.1-1/2" PVC
334445	1	FITT.DK S-67 ELB.1-1/2"
359189	1	TANK RAW 270 GAL. ARROW
359191	1	CLEAN WATER TANK - ARROW
359205	1	TANK RAW 400 GAL. ARROW
359223	1	TANK ACCESS COVER - ARROW 270
359264	1	TANK ACCESS COVER - ARROW 400
440392	1	SCREW NO.14 1"
460062	1	NUT HEX 3/8" GALV.
460143	1	NUT HEX M8 LOCK
471118	1	WASHER D16 TENSION
479027	1	WASHER D8X24X2 DIN9021
722971	1	SAFETY VALVE SCF 217PSI (15BAR)
727617	1	FITT.DK S-93 BOTTOM VALVE 2'
739719	1	HOSE ASSEMBLY D12 X 3300
927205	1	HOSE R X CLEAR X 3/4 X 0012"
976157	1	DECAL COMPANY (4.4" X 4.6")
976183	1	DECAL COMPANY 185 X 300
10045303	1	FILTER BASKET 16"
10052203	1	LID VENT ASSY
10054503	1	SCREW 3/4" SELF TAPPING
10064203	1	SET SEALING SPONGE RUBBER
10102203	1	GASKET F.16" LID BREATHER
10619703	1	SCREW SS #6x3/4" SELF TAPPING
10619803	1	LID HOUSING TREADED F. 6'
28014203	1	LID ASSY. (3-PC.) 16" ARAG
28029903	1	CLAMP HOSE GEAR P3/4"-S1" 6712

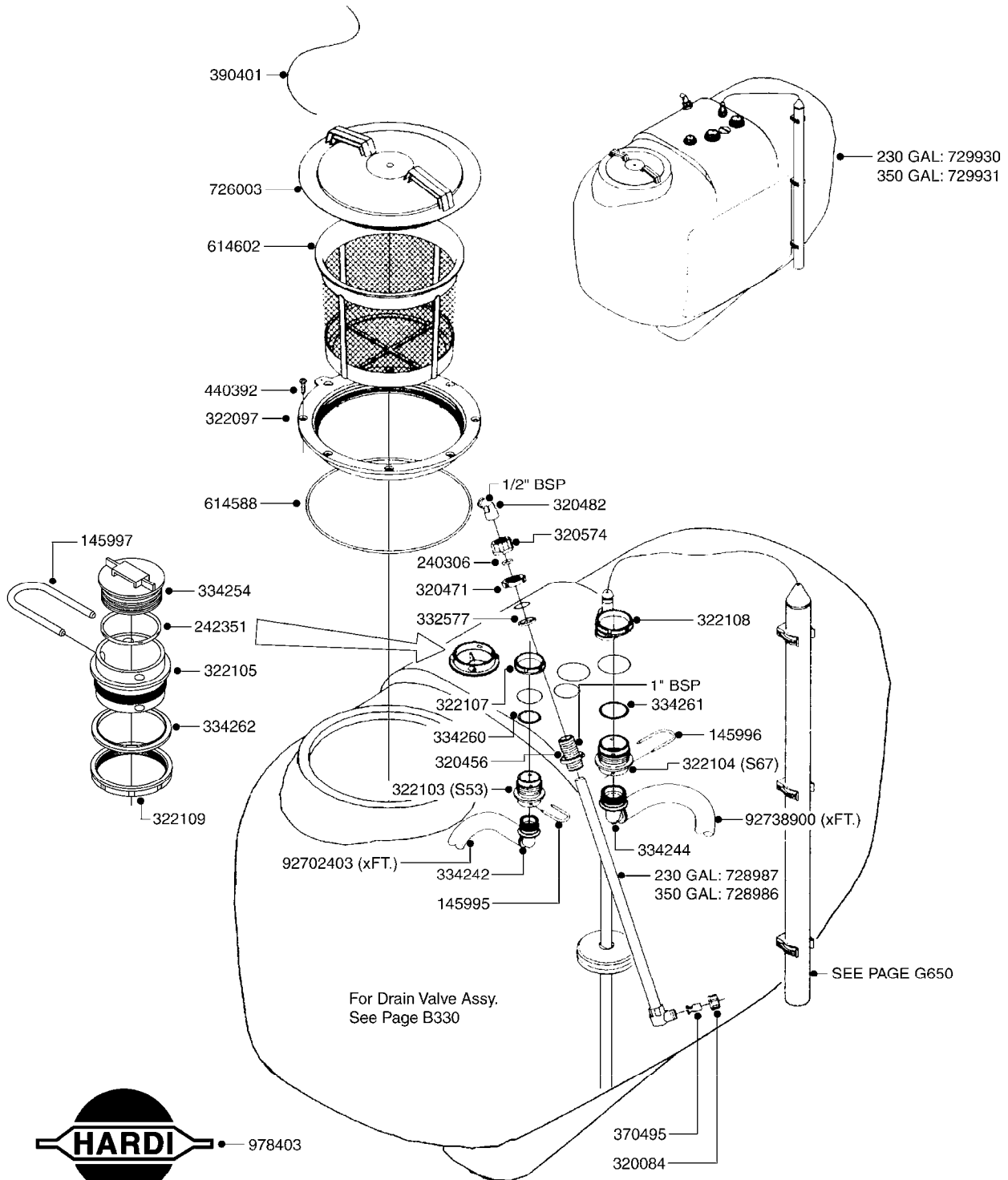


TANK - ARROW 270/400
E191-HIN, 21:09:11

Page 2

Date 19.03.2013 9:50

parts-n°	order qty	description
92702403 97613803	1 1	HOSE PVC SUCT GRAY 1" DECAL ARROW 2011



FOR CONNECTING HOSE
FITTINGS, SEE SECTION H

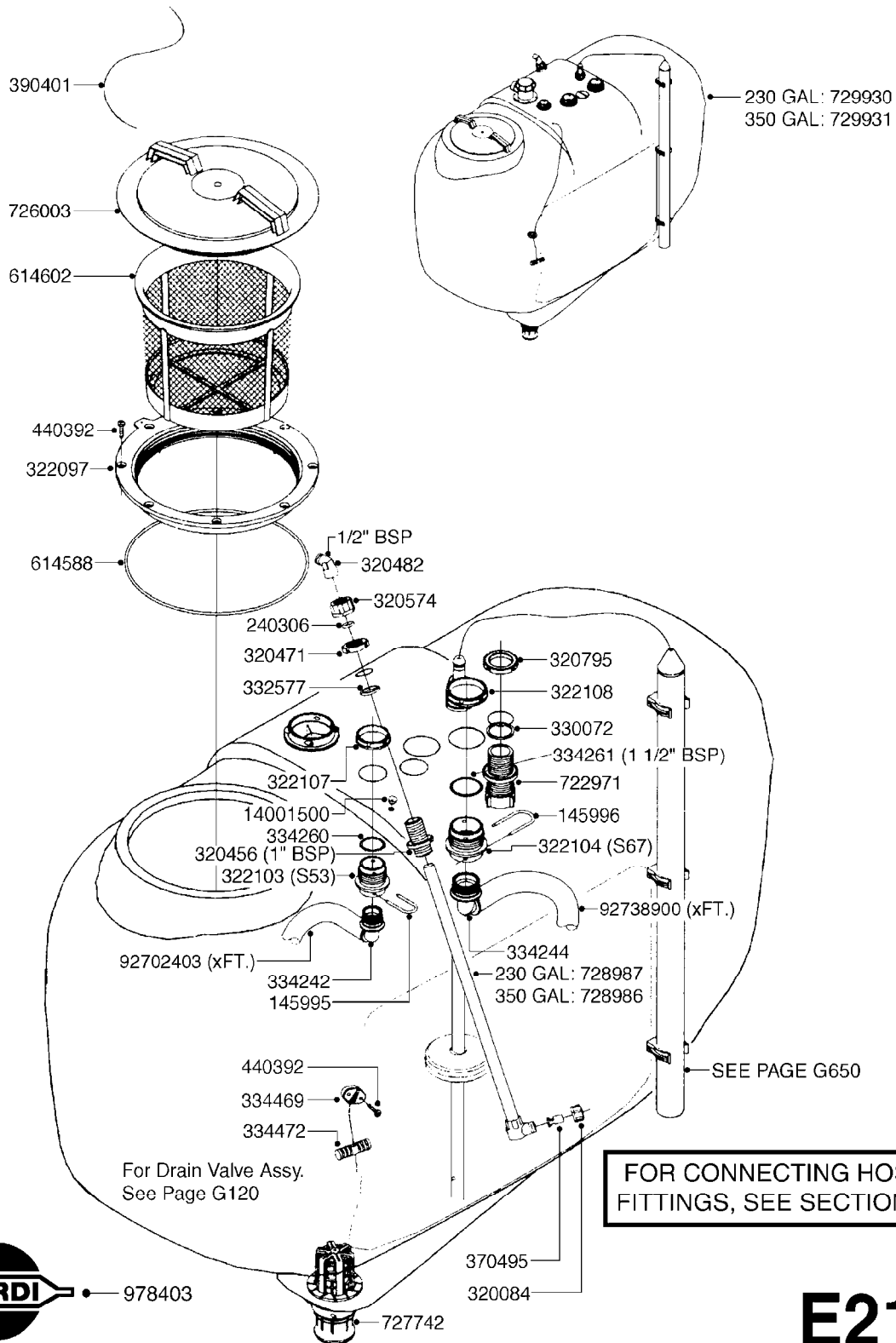
E200



TANK MEGA 230/350 CENTRIFUGAL
E200-HIN, 07:09:11

Page 1
Date 19.03.2013 9:50

parts-n°	order qty	description
145995	1	FITT.DK S-53 FORK
145996	1	FITT.DK S-67 FORK
145997	1	FITT.DK S-93 FORK
240306	1	O-RING D29/D21X4
242351	1	O-RING D69.5X3.0 VITON F.S-93
320084	1	FITT.DK NUT 1/2" BSP
320456	1	FITT.DK BULKHEAD 1"BSP DOUBLE
320471	1	FITT.DK NUT 1" BSP JAMB
320482	1	FITT.DK ELB. 1/2" BSP 60 DEG.
320574	1	FITT.DK NUT 1" BSP SPECIAL
322097	1	THREADED RING F. LID
322103	1	FITT.DK S-53 BULKHEAD
322104	1	FITT.DK S-67 BULKHEAD
322105	1	FITT.DK S-93 BULKHEAD DOUBLE
322107	1	FITT.DK S-53 BULKHEAD NUT
322108	1	FITT.DK S-67 BULKHEAD NUT
322109	1	FITT.DK S-93 BULKHEAD NUT
332577	1	O-RING D38/D30X4 F.1" PUR.
334242	1	FITT.DK S-53 ELB.1"
334244	1	FITT.DK S-67 ELB.1-1/4"
334254	1	FITT.DK S-93 PLUG
334260	1	GASKET F. S-53 BULKHEAD
334261	1	GASKET F. S-67 BULKHEAD
334262	1	GASKET F.S-93 BULKHEAD
370495	1	NOZZLE INJECTOR 5066-3.0
390401	1	CORD NYLON F.LID 900MM
440392	1	SCREW NO.14 1"
614588	1	SEAL F. LID
614602	1	FILTER BASKET
726003	1	LID F. TANK
728986	1	AGITATION TUBE L=54.88"
728987	1	AGITATION TUBE L=47.44"
729930	1	TANK ASSY. COMPLETE MEGA 230G
729931	1	TANK ASSY. COMPLETE MEGA 350G
978403	1	DECAL COMPANY 280 X 450
92702403	1	HOSE PVC SUCT GRAY 1"
92738900	1	HOSE R X PVC X 1-1/4" 0012"



E210



TANK MEGA 230/350 DIAPHRAGM
E210-HIN, 07:09:11

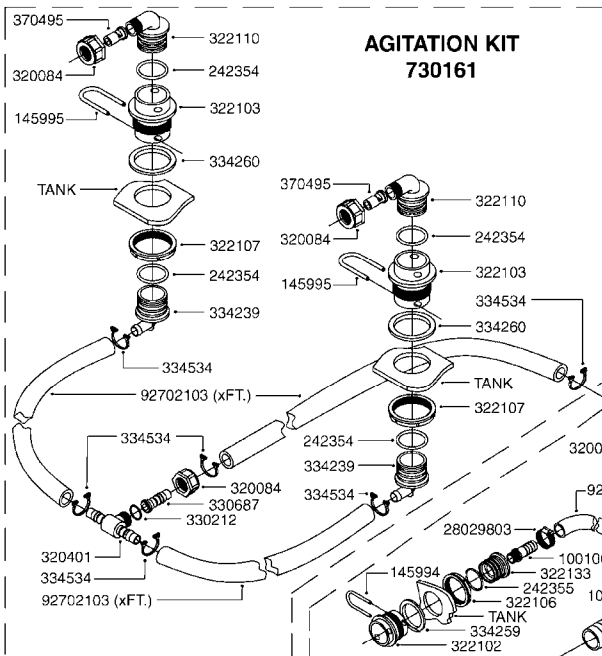
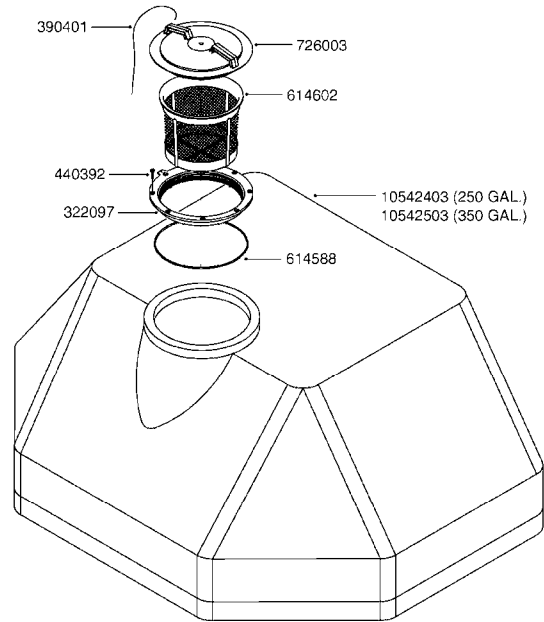
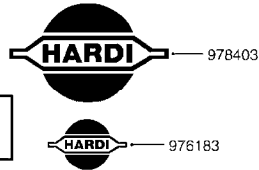
Page 1

Date 19.03.2013 9:50

parts-n°	order qty	description
145995	1	FITT.DK S-53 FORK
145996	1	FITT.DK S-67 FORK
240306	1	O-RING D29/D21X4
320084	1	FITT.DK NUT 1/2" BSP
320456	1	FITT.DK BULKHEAD 1"BSP DOUBLE
320471	1	FITT.DK NUT 1" BSP JAMB
320482	1	FITT.DK ELB. 1/2" BSP 60 DEG.
320574	1	FITT.DK NUT 1" BSP SPECIAL
320795	1	FITT.DK NUT 1-1/2" BSP JAMB
322097	1	THREADED RING F. LID
322103	1	FITT.DK S-53 BULKHEAD
322104	1	FITT.DK S-67 BULKHEAD
322107	1	FITT.DK S-53 BULKHEAD NUT
322108	1	FITT.DK S-67 BULKHEAD NUT
330072	1	O-RING D53,5/D45,5X4
332577	1	O-RING D38/D30X4 F.1" PUR.
334242	1	FITT.DK S-53 ELB.1"
334244	1	FITT.DK S-67 ELB.1-1/4"
334260	1	GASKET F. S-53 BULKHEAD
334261	1	GASKET F. S-67 BULKHEAD
334469	1	CLEVIS F.CORD TOP DRAIN ASSY.
334472	1	HANDLE FOR TOP DRAIN
370495	1	NOZZLE INJECTOR 5066-3.0
390401	1	CORD NYLON F.LID 900MM
440392	1	SCREW NO.14 1"
614588	1	SEAL F. LID
614602	1	FILTER BASKET
722971	1	SAFETY VALVE SCF 217PSI(15BAR)
726003	1	LID F. TANK
727742	1	TOP DRAIN CORD TYPE
728986	1	AGITATION TUBE L=54.88"
728987	1	AGITATION TUBE L=47.44"
729930	1	TANK ASSY. COMPLETE MEGA 230G
729931	1	TANK ASSY. COMPLETE MEGA 350G
978403	1	DECAL COMPANY 280 X 450
14001500	1	GROMMET F.TOP DRAIN CORD
92702403	1	HOSE PVC SUCT GRAY 1"
92738900	1	HOSE R X PVC X 1-1/4" 0012"

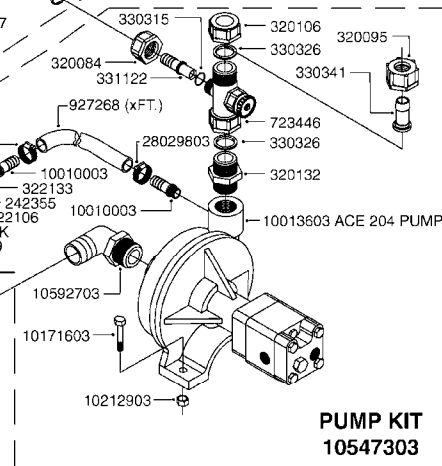
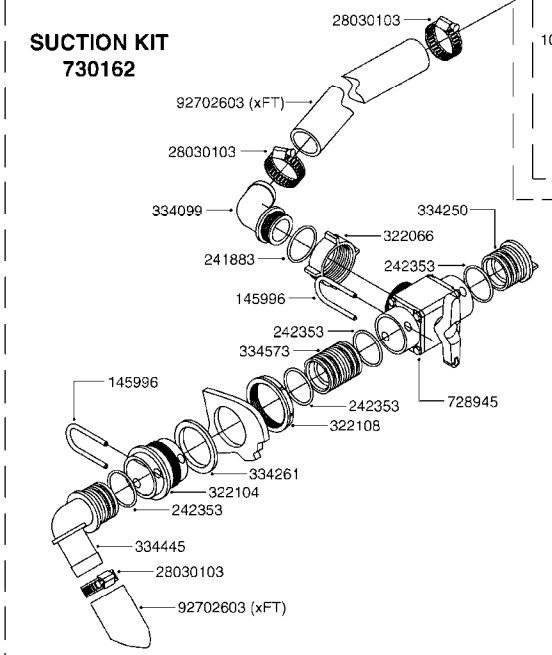


COMPLETE ASSEMBLIES
WHOLEGOODS ITEMS



AGITATION KIT
730161

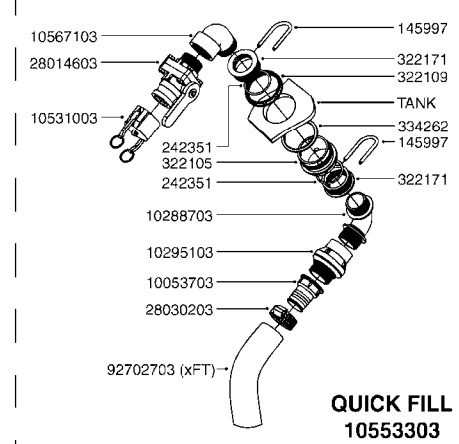
SUCTION KIT
730162



PUMP KIT
10547303

For Top Suction
See Page B380

For Top Drain
See Page G120



QUICK FILL
10553303

E220



TANK - FRONT TANK 250/350
E220-HIN, 05:05:11

Page 1

Date 19.03.2013 9:50

parts-n°	order qty	description
145994	1	FITT.DK S-40 FORK
145995	1	FITT.DK S-53 FORK
145996	1	FITT.DK S-67 FORK
145997	1	FITT.DK S-93 FORK
241883	1	O-RING D39.2X3 NITRIL
242351	1	O-RING D69.5X3.0 VITON F.S-93
242353	1	O-RING D44.2X3.0 VITON F.S-67
242354	1	O-RING D32.2X3.0 VITON F.S-53
242355	1	O-RING D19.2X3.0 VITON F.S-40
320084	1	FITT.DK NUT 1/2" BSP
320095	1	FITT.DK NUT 1" BSP
320106	1	FITT.DK CAPNUT 1" BSP
320132	1	FITT.DK HN 1" BSP
320401	1	FITT.DK TEE 1/2X1/2HB X1/2"BSP
322066	1	FITT.DK S-56 NUT
322097	1	THREADED RING F. LID
322102	1	FITT.DK S-40 BULKHEAD
322103	1	FITT.DK S-53 BULKHEAD
322104	1	FITT.DK S-67 BULKHEAD
322105	1	FITT.DK S-93 BULKHEAD DOUBLE
322106	1	FITT.DK S-40 BULKHEAD NUT
322107	1	FITT.DK S-53 BULKHEAD NUT
322108	1	FITT.DK S-67 BULKHEAD NUT
322109	1	FITT.DK S-93 BULKHEAD NUT
322110	1	FITT.DK S-53 ELB. 1/2" BSP
322133	1	FITT.DK S-40 PLUG W 1/8 THREAD
322171	1	FITT.DK S-93 THREAD INS.2"BSP
330212	1	O-RING D19/D14X2.4 F.1/2"NUT
330315	1	O-RING D18.4/D13X.6
330326	1	O-RING D30/D24X2 F.1"NUT
330341	1	FITT.DK HB 1" F. 1" NUT
330687	1	FITT.DK HB 1/2" F. 1/2" NUT
331122	1	VALVE SEAT WITH 1/2" HOSE TAIL
334099	1	FITT.DK S-61 ELB.1-1/2"110 DEG
334239	1	FITT.DK S-53 ELB.1/2"
334250	1	FITT.DK S-67 PLUG
334259	1	GASKET F. S-40 BULKHEAD
334260	1	GASKET F. S-53 BULKHEAD
334261	1	GASKET F. S-67 BULKHEAD
334262	1	GASKET F.S-93 BULKHEAD
334445	1	FITT.DK S-67 ELB.1-1/2"
334534	1	CLAMP HOSE PLASTIC 1/2"
334573	1	FITT.DK S-67 CONNECTOR
370495	1	NOZZLE INJECTOR 5066-3.0
390401	1	CORD NYLON F.LID 900MM
440392	1	SCREW NO.14 1"
614588	1	SEAL F. LID
614602	1	FILTER BASKET
723446	1	AGITATION VALVE ASSY. ADJUST.
726003	1	LID F. TANK
728945	1	VALVE 3-WAY YELLOW W.S-67 ENDS
730161	1	AGITATION KIT FRONT TANK
730162	1	SUCTION KIT (BOTTOM) FRT TANK
927268	1	HOSE R X PVC X 1/4 X 0012"
976183	1	DECAL COMPANY 185 X 300
978403	1	DECAL COMPANY 280 X 450
10010003	1	FITT.PO.HB 0.125X0.25 IMB0102
10013603	1	PUMP ACE HY 204
10053703	1	FITT.PO.HB STR. 2"BSP E4411
10171603	1	BOLT HEX 3/8 NC GR.2 01.50"
10212903	1	NUT HEX NC (NYLON LOCK) 3/8"



TANK - FRONT TANK 250/350
E220-HIN, 05:05:11

Page 2
Date 19.03.2013 9:50

parts-n°	order qty	description
10288703	1	FITT.PO.EL 2MX2M 90 DEG MCPHEE
10295103	1	FOOT VALVE 2" 504019
10531003	1	CAP F.MALE QUICK COUPLER 2"
10542403	1	TANK RAW 250 GAL. FRONT MT.
10542503	1	TANK RAW 350 GAL. FRONT MT.
10547303	1	*PUMP KIT FRONT TANK ACE206
10553303	1	QUICK FILL KIT FRONT TANK
10567103	1	FITT.PO.EL 2.0X2.0
10592703	1	FITT.MF EL 1.25NPT X 1.50HB
28014603	1	VALVE STUBBY 2" BANJO
28029803	1	CLAMP HOSE GEAR P1/2" 6708
28030103	1	CLAMP HOSE GEAR P5/4-S1.5"6724
28030203	1	CLAMP HOSE T-BOLT S2" 235-67
92702103	1	HOSE R X1/2" X300PSI WP X0012"
92702603	1	HOSE PVC SUCT GRAY 1-1/2"
92702703	1	HOSE PVC SUCT GRAY 2"



TANK - SM 300/500 CENTRIFUGAL
E230-HIN, 18:12:10

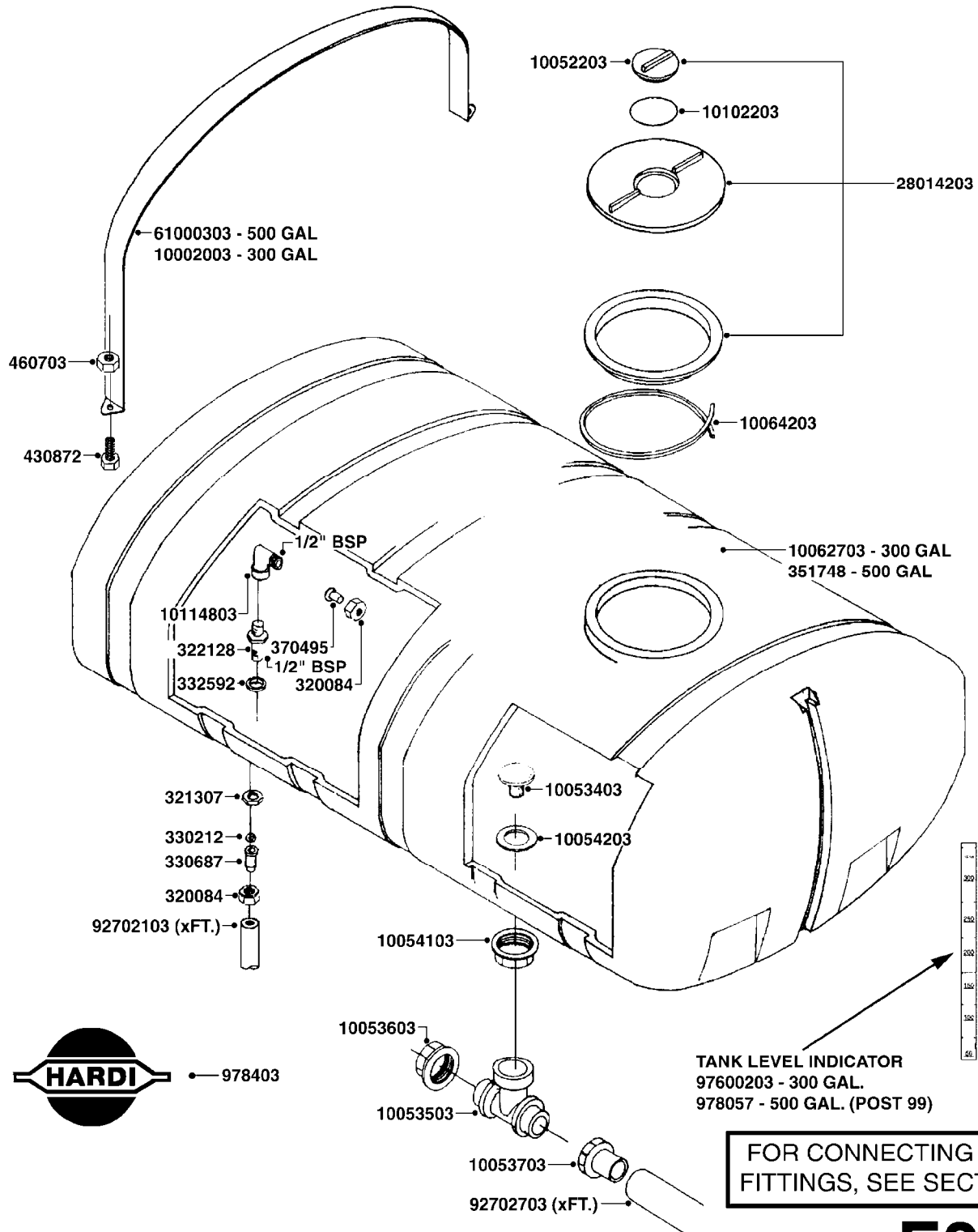
Page

0

Date

19.03.2013

9:50



E230

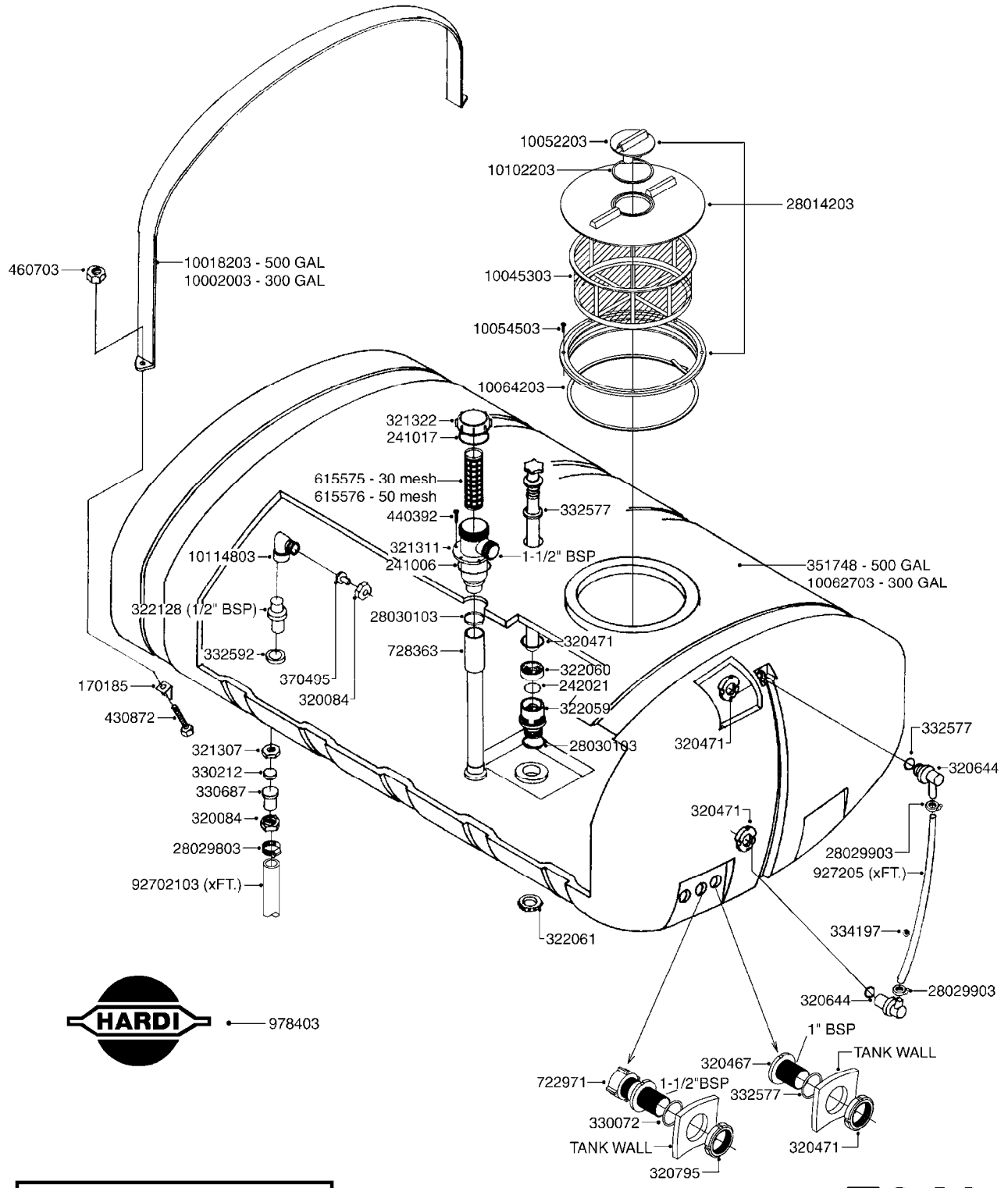


TANK - SM 300/500 CENTRIFUGAL
E230-HIN, 18:12:10

Page 1

Date 19.03.2013 9:50

parts-n°	order qty	description
320084	1	FITT.DK NUT 1/2" BSP
321307	1	FITT.DK NUT 1/2" BSP JAMB
322128	1	NIPPLE 1/2"
330212	1	O-RING D19/D14X2.4 F.1/2"NUT
330687	1	FITT.DK HB 1/2" F. 1/2" NUT
332592	1	O-RING D26/D20X3
351748	1	TANK RAW 500 GAL
370495	1	NOZZLE INJECTOR 5066-3.0
430872	1	BOLT HEX 8.8 DEL M12X100 FT
460703	1	NUT HEX M12X1.75 LOCK
978057	1	DECAL S/G TANK 500GAL-99
978403	1	DECAL COMPANY 280 X 450
10002003	1	STRAP F. TR TANK 300 GAL.
10052203	1	LID VENT ASSY
10053403	1	ANTIVORTEX FITTING 2"BSP
10053503	1	FITT.PO.TEE 2"MX2"FX2"M BSP
10053603	1	FITT. CAPNUT 2"BSP 5601
10053703	1	FITT.PO.HB STR. 2"BSP E4411
10054103	1	FITT.PO.NUT 2" BSP JAMB MCPHEE
10054203	1	GASKET F. 2" FITTINGS RUBBER
10062703	1	TANK RAW 300 GAL.84 MODEL
10064203	1	SET SEALING SPONGE RUBBER
10102203	1	GASKET F.16" LID BREATHER
10114803	1	FITT.PO.SE 0.50X0.50 SE1200
28014203	1	LID ASSY. (3-PC.) 16" ARAG
61000303	1	TANK STRAP 500 GA POST'03(95")
92702103	1	HOSE R X1/2" X300PSI WP X0012"
92702703	1	HOSE PVC SUCT GRAY 2"
97600203	1	DECAL S/G TANK 300 GAL-99



FOR CONNECTING HOSE
FITTINGS, SEE SECTION H

E240



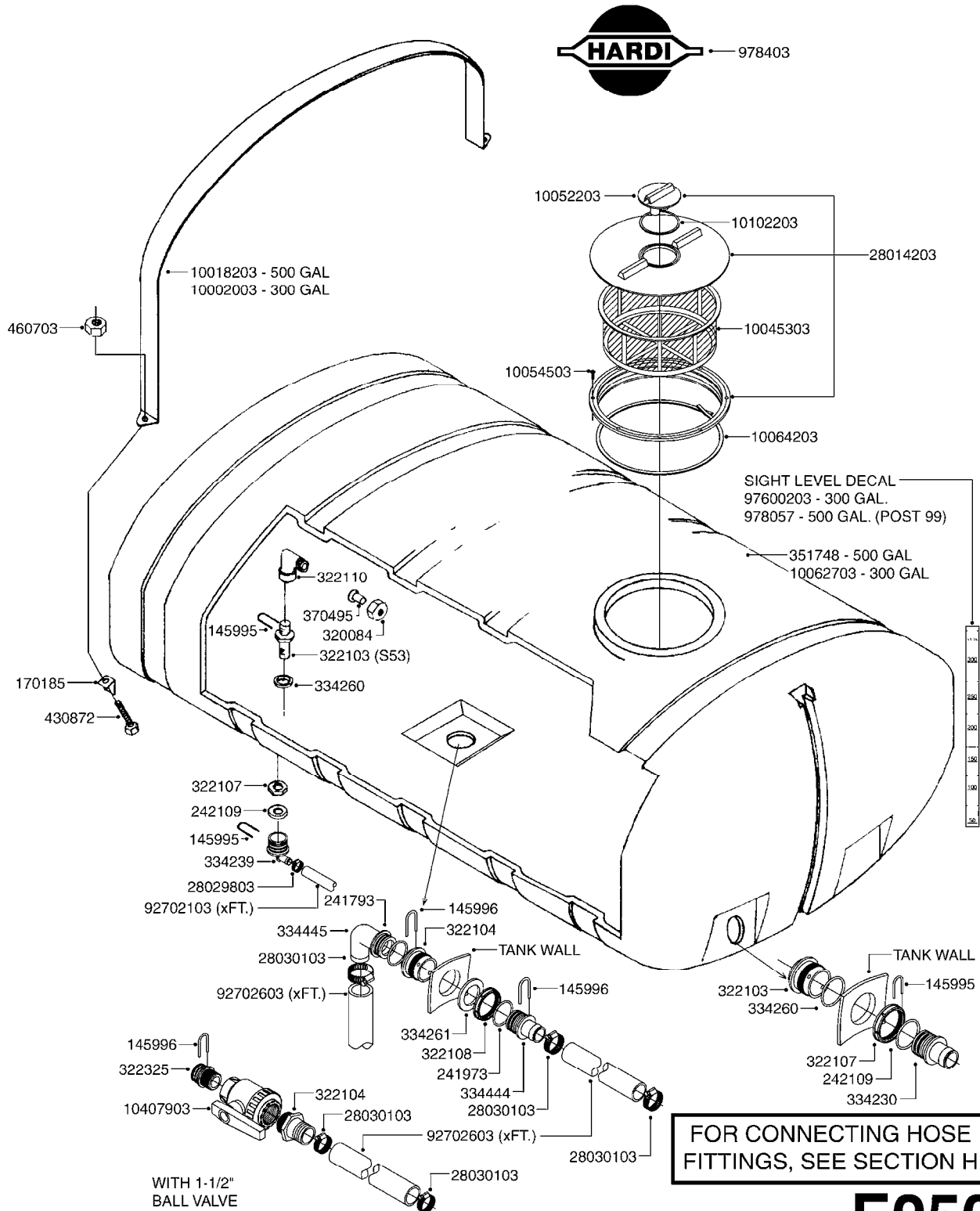
TANK - SM 300/500 DIAPHRAGM
E240-HIN, 19:05:11

Page 1
Date 19.03.2013 9:50

parts-n°	order qty	description
170185	1	ANGLE BRACKET F. TANKSTRAP
241006	1	O-RING D79,2X5,7 NITRIL
241017	1	O-RING D74,5X3 NITRIL
242021	1	O-RING FOR BOTTOM VALVE
320084	1	FITT.DK NUT 1/2" BSP
320467	1	FITT.DK BULKHEAD 1"BSP SINGLE
320471	1	FITT.DK NUT 1" BSP JAMB
320644	1	FITT.DK ELB.3/4"HB X 1" BSP
320795	1	FITT.DK NUT 1-1/2" BSP JAMB
321307	1	FITT.DK NUT 1/2" BSP JAMB
321311	1	FILTER BODY S 80 X 4
321322	1	SCREW CAP F. S80 X 4
322059	1	BULKHEAD FOR BOTTOM VALVE
322060	1	STOPPER FOR BOTTOM VALVE
322061	1	NUT FOR BOTTOM VALVE
322128	1	NIPPLE 1/2"
330072	1	O-RING D53,5/D45,5X4
330212	1	O-RING D19/D14X2.4 F.1/2"NUT
330687	1	FITT.DK HB 1/2" F. 1/2" NUT
332577	1	O-RING D38/D30X4 F.1" PUR.
332592	1	O-RING D26/D20X3
334197	1	BALL F. LIQUID LEV. INDICATOR
351748	1	TANK RAW 500 GAL
370495	1	NOZZLE INJECTOR 5066-3.0
430872	1	BOLT HEX 8.8 DEL M12X100 FT
440392	1	SCREW NO.14 1"
460703	1	NUT HEX M12X1.75 LOCK
615575	1	FILTER F.TOP SUCT.30 MESH GRN.
615576	1	FILTER F.TOP SUCT.50 MESH BLUE
722971	1	SAFETY VALVE SCF 217PSI(15BAR)
728363	1	SUCTION TUBE ASSY.L=72"
927205	1	HOSE R X CLEAR X 3/4 X 0012"
978403	1	DECAL COMPANY 280 X 450
10002003	1	STRAP F. TR TANK 300 GAL.
10018203	1	TANK STRAP 500 GA.PRE'03 (92")
10045303	1	FILTER BASKET 16"
10052203	1	LID VENT ASSY
10054503	1	SCREW 3/4" SELF TAPPING
10062703	1	TANK RAW 300 GAL.84 MODEL
10064203	1	SET SEALING SPONGE RUBBER
10102203	1	GASKET F.16" LID BREATHER
10114803	1	FITT.PO.SE 0.50X0.50 SE1200
28014203	1	LID ASSY. (3-PC.) 16" ARAG
28029803	1	CLAMP HOSE GEAR P1/2" 6708
28029903	1	CLAMP HOSE GEAR P3/4"-S1" 6712
28030103	1	CLAMP HOSE GEAR P5/4-S1.5"6724
92702103	1	HOSE R X1/2" X300PSI WP X0012"



TANK - ESC 300/500
E250-HIN, 07:12:09



E250



TANK - ESC 300/500
E250-HIN, 07:12:09

Page 1
Date 19.03.2013 9:50

parts-n°	order qty	description
145995	1	FITT.DK S-53 FORK
145996	1	FITT.DK S-67 FORK
170185	1	ANGLE BRACKET F. TANKSTRAP
241973	1	O-RING 44.2 x 3.0 (use-242353)
242109	1	O-RING D32.2x3.0 (USE 242354)
320084	1	FITT.DK NUT 1/2" BSP
322103	1	FITT.DK S-53 BULKHEAD
322104	1	FITT.DK S-67 BULKHEAD
322107	1	FITT.DK S-53 BULKHEAD NUT
322108	1	FITT.DK S-67 BULKHEAD NUT
322110	1	FITT.DK S-53 ELB. 1/2" BSP
322325	1	FITT.DK S-67 X 1-1/2"BSP LONG
334230	1	FITT.DK S-53 STR.1"
334239	1	FITT.DK S-53 ELB.1/2"
334260	1	GASKET F. S-53 BULKHEAD
334261	1	GASKET F. S-67 BULKHEAD
334444	1	FITT.DK S-67 STR.1-1/2" PVC
334445	1	FITT.DK S-67 ELB.1-1/2"
351748	1	TANK RAW 500 GAL
370495	1	NOZZLE INJECTOR 5066-3.0
430872	1	BOLT HEX 8.8 DEL M12X100 FT
460703	1	NUT HEX M12X1.75 LOCK
978057	1	DECAL S/G TANK 500GAL-99
978403	1	DECAL COMPANY 280 X 450
10002003	1	STRAP F. TR TANK 300 GAL.
10018203	1	TANK STRAP 500 GA.PRE'03 (92")
10045303	1	FILTER BASKET 16"
10052203	1	LID VENT ASSY
10054503	1	SCREW 3/4" SELF TAPPING
10062703	1	TANK RAW 300 GAL.84 MODEL
10064203	1	SET SEALING SPONGE RUBBER
10102203	1	GASKET F.16" LID BREATHER
10407903	1	BALL VALVE 1-1/2" MCPHEE
28014203	1	LID ASSY. (3-PC.) 16" ARAG
28029803	1	CLAMP HOSE GEAR P1/2" 6708
28030103	1	CLAMP HOSE GEAR P5/4-S1.5"6724
92702103	1	HOSE R X1/2" X300PSI WP X0012"
92702603	1	HOSE PVC SUCT GRAY 1-1/2"
97600203	1	DECAL S/G TANK 300 GAL-99



TANK - TL/TR 300/500 W/BK 180
E260-HIN, 28:11:06

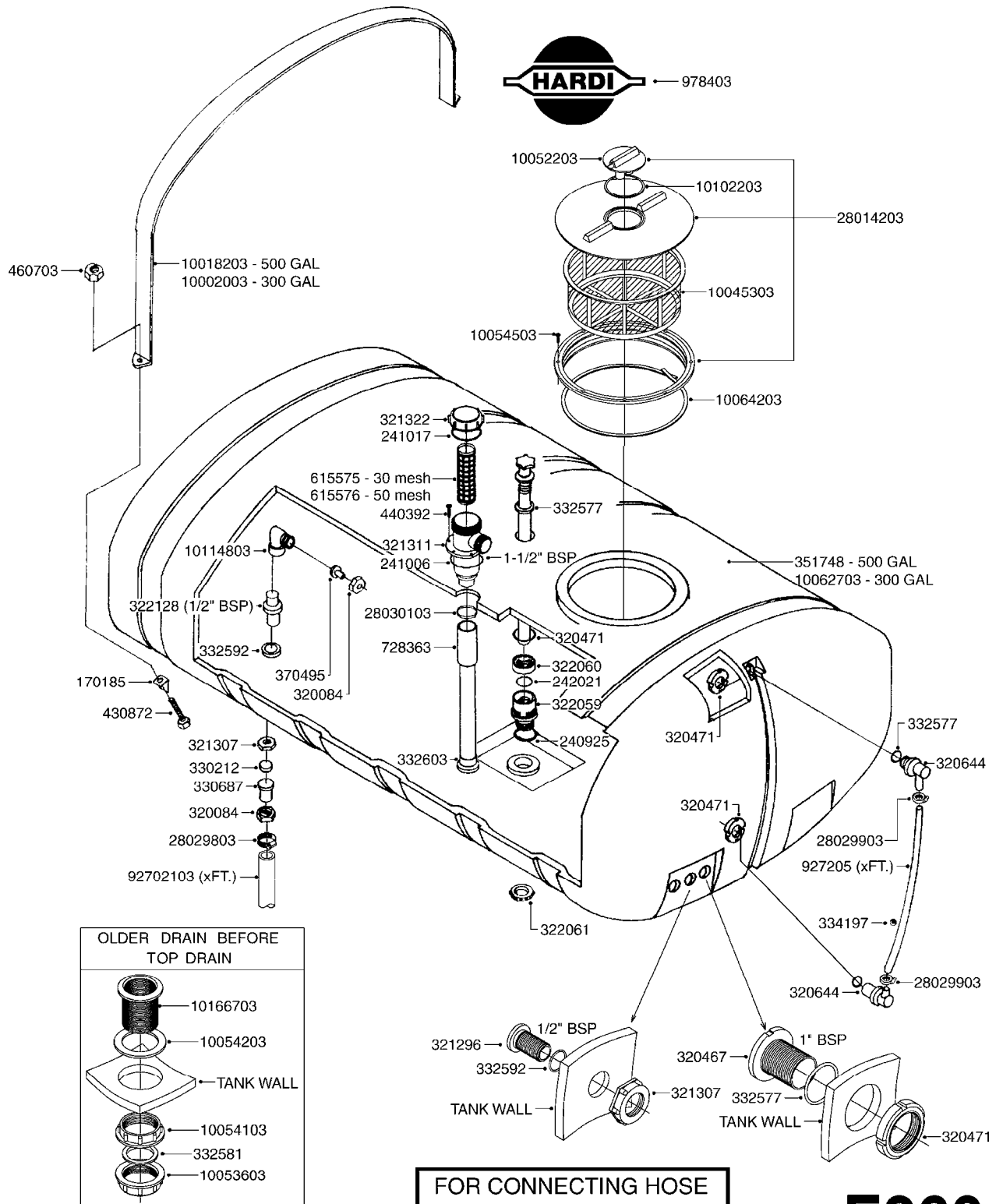
Page

0

Date

19.03.2013

9:50



FOR CONNECTING HOSE
FITTINGS, SEE SECTION H

E260



TANK - TL/TR 300/500 W/BK 180
E260-HIN, 28:11:06

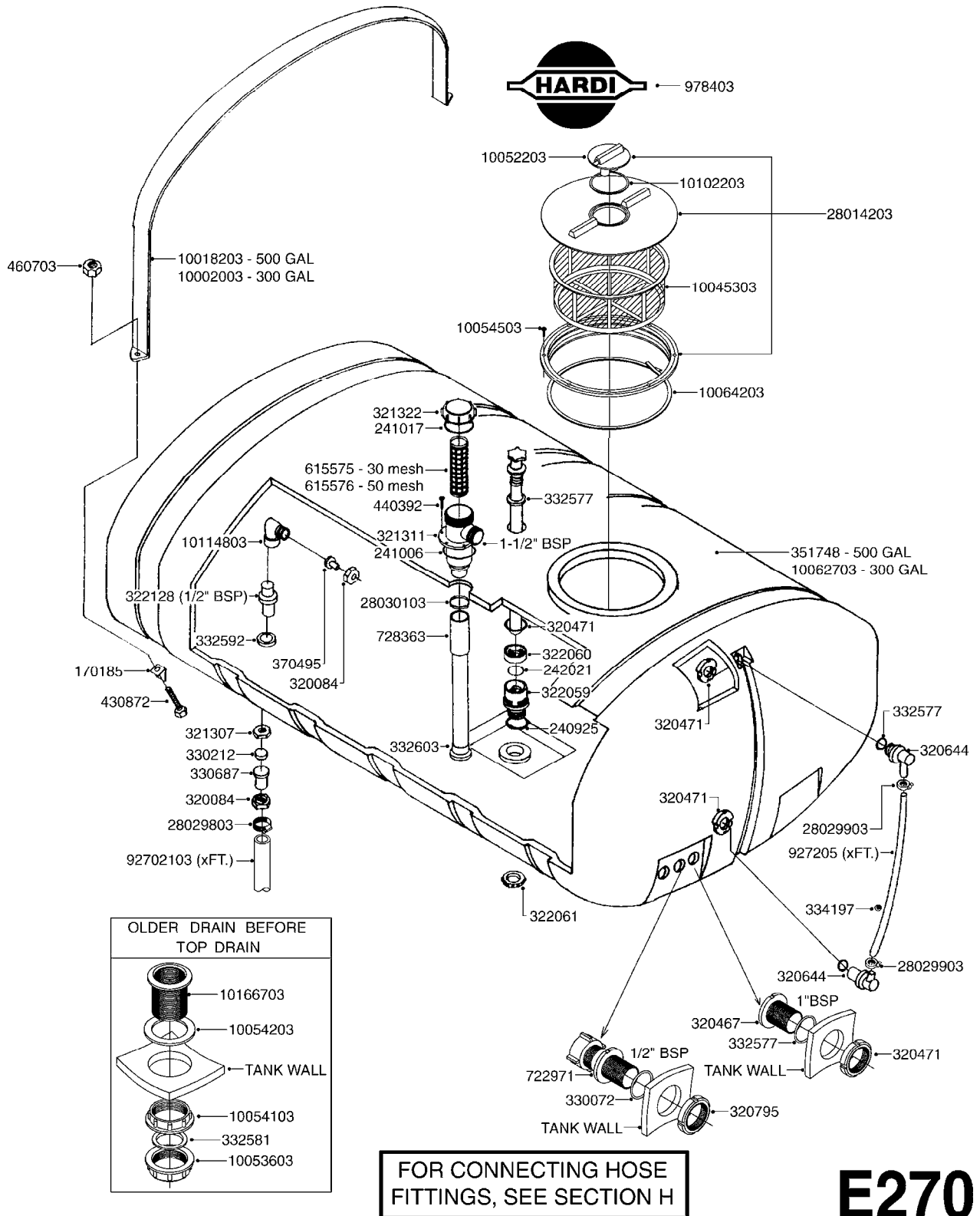
Page 1
Date 19.03.2013 9:50

parts-n°	order qty	description
170185	1	ANGLE BRACKET F. TANKSTRAP
240925	1	O-RING D49.5X3 NITRIL
241006	1	O-RING D79,2X5,7 NITRIL
241017	1	O-RING D74,5X3 NITRIL
242021	1	O-RING FOR BOTTOM VALVE
320084	1	FITT.DK NUT 1/2" BSP
320467	1	FITT.DK BULKHEAD 1"BSP SINGLE
320471	1	FITT.DK NUT 1" BSP JAMB
320644	1	FITT.DK ELB.3/4"HB X 1" BSP
321296	1	FITT.DK BULKHEAD 1/2" BSP SING
321307	1	FITT.DK NUT 1/2" BSP JAMB
321311	1	FILTER BODY S 80 X 4
321322	1	SCREW CAP F. S80 X 4
322059	1	BULKHEAD FOR BOTTOM VALVE
322060	1	STOPPER FOR BOTTOM VALVE
322061	1	NUT FOR BOTTOM VALVE
322128	1	NIPPLE 1/2"
330212	1	O-RING D19/D14X2.4 F.1/2"NUT
330687	1	FITT.DK HB 1/2" F. 1/2" NUT
332577	1	O-RING D38/D30X4 F.1" PUR.
332581	1	GASKET F. 1-1/2" BSP CAPNUT.
332592	1	O-RING D26/D20X3
332603	1	CAP F. SUCTION TUBE
334197	1	BALL F. LIQUID LEV. INDICATOR
351748	1	TANK RAW 500 GAL
370495	1	NOZZLE INJECTOR 5066-3.0
430872	1	BOLT HEX 8.8 DEL M12X100 FT
440392	1	SCREW NO.14 1"
460703	1	NUT HEX M12X1.75 LOCK
615575	1	FILTER F.TOP SUCT.30 MESH GRN.
615576	1	FILTER F.TOP SUCT.50 MESH BLUE
728363	1	SUCTION TUBE ASSY.L=72"
927205	1	HOSE R X CLEAR X 3/4 X 0012"
978403	1	DECAL COMPANY 280 X 450
10002003	1	STRAP F. TR TANK 300 GAL.
10018203	1	TANK STRAP 500 GA.PRE'03 (92")
10045303	1	FILTER BASKET 16"
10052203	1	LID VENT ASSY
10053603	1	FITT. CAPNUT 2"BSP 5601
10054103	1	FITT.PO.NUT 2" BSP JAMB MCPHEE
10054203	1	GASKET F. 2" FITTINGS RUBBER
10054503	1	SCREW 3/4" SELF TAPPING
10062703	1	TANK RAW 300 GAL.84 MODEL
10064203	1	SET SEALING SPONGE RUBBER
10102203	1	GASKET F.16" LID BREATHER
10114803	1	FITT.PO.SE 0.50X0.50 SE1200
10166703	1	FITT.PO.BULKHEAD 2" BSP
28014203	1	LID ASSY. (3-PC.) 16" ARAG
28029803	1	CLAMP HOSE GEAR P1/2" 6708
28029903	1	CLAMP HOSE GEAR P3/4"-S1" 6712
28030103	1	CLAMP HOSE GEAR P5/4-S1.5"6724
92702103	1	HOSE R X1/2" X300PSI WP X0012"



TANK TR 300/500 W/EC (PRE 93)
E270-HIN, 28:11:06

Page 0
Date 19.03.2013 9:50

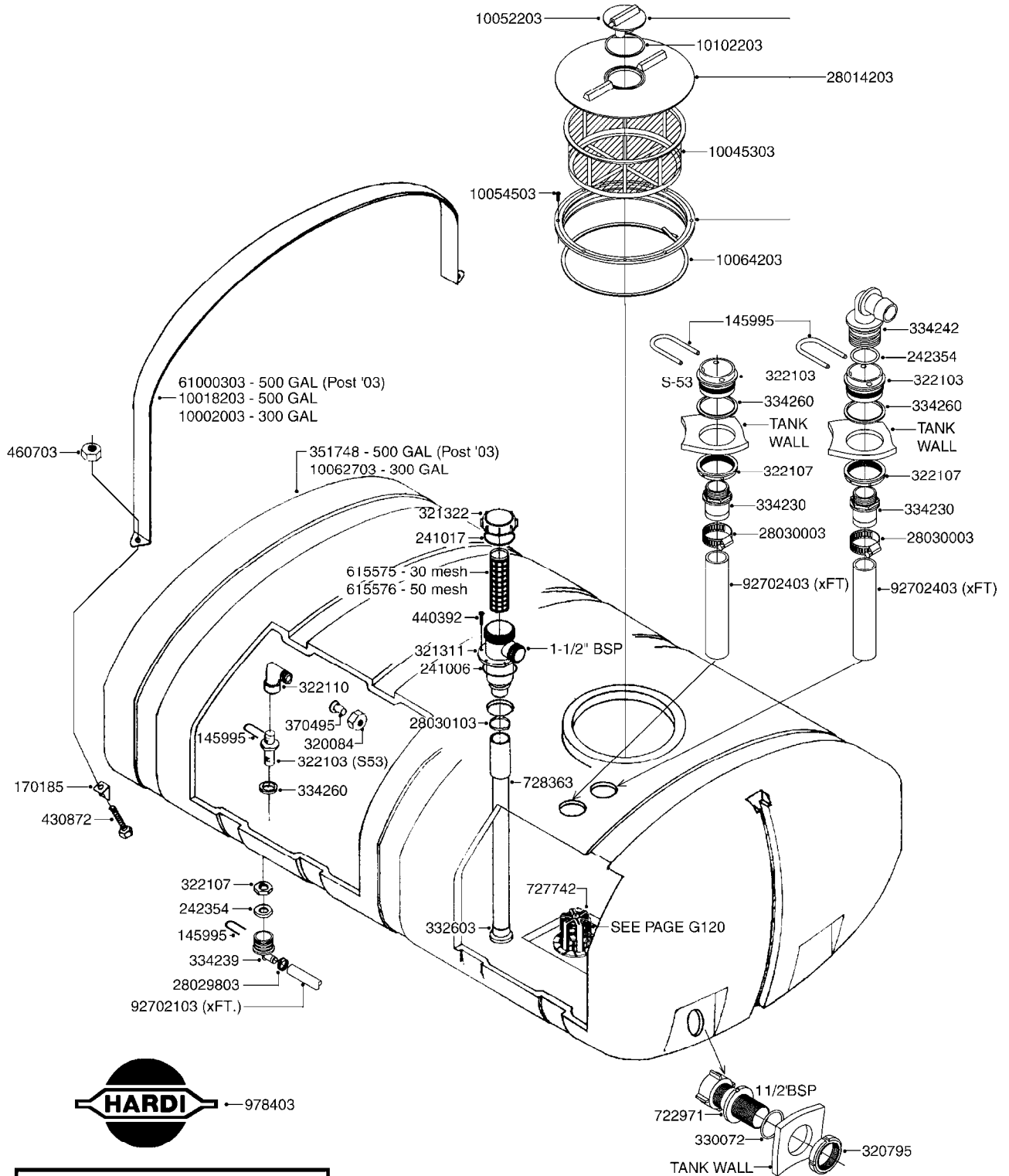




TANK TR 300/500 W/EC (PRE 93)
E270-HIN, 28:11:06

Page 1
Date 19.03.2013 9:50

parts-n°	order qty	description
170185	1	ANGLE BRACKET F. TANKSTRAP
240925	1	O-RING D49.5X3 NITRIL
241006	1	O-RING D79,2X5,7 NITRIL
241017	1	O-RING D74,5X3 NITRIL
242021	1	O-RING FOR BOTTOM VALVE
320084	1	FITT.DK NUT 1/2" BSP
320467	1	FITT.DK BULKHEAD 1"BSP SINGLE
320471	1	FITT.DK NUT 1" BSP JAMB
320644	1	FITT.DK ELB.3/4"HB X 1" BSP
320795	1	FITT.DK NUT 1-1/2" BSP JAMB
321307	1	FITT.DK NUT 1/2" BSP JAMB
321311	1	FILTER BODY S 80 X 4
321322	1	SCREW CAP F. S80 X 4
322059	1	BULKHEAD FOR BOTTOM VALVE
322060	1	STOPPER FOR BOTTOM VALVE
322061	1	NUT FOR BOTTOM VALVE
322128	1	NIPPLE 1/2"
330072	1	O-RING D53,5/D45,5X4
330212	1	O-RING D19/D14X2.4 F.1/2"NUT
330687	1	FITT.DK HB 1/2" F. 1/2" NUT
332577	1	O-RING D38/D30X4 F.1" PUR.
332581	1	GASKET F. 1-1/2" BSP CAPNUT.
332592	1	O-RING D26/D20X3
332603	1	CAP F. SUCTION TUBE
334197	1	BALL F. LIQUID LEV. INDICATOR
351748	1	TANK RAW 500 GAL
370495	1	NOZZLE INJECTOR 5066-3.0
430872	1	BOLT HEX 8.8 DEL M12X100 FT
440392	1	SCREW NO.14 1"
460703	1	NUT HEX M12X1.75 LOCK
615575	1	FILTER F.TOP SUCT.30 MESH GRN.
615576	1	FILTER F.TOP SUCT.50 MESH BLUE
722971	1	SAFETY VALVE SCF 217PSI(15BAR)
728363	1	SUCTION TUBE ASSY.L=72"
927205	1	HOSE R X CLEAR X 3/4 X 0012"
978403	1	DECAL COMPANY 280 X 450
10002003	1	STRAP F. TR TANK 300 GAL.
10018203	1	TANK STRAP 500 GA.PRE'03 (92")
10045303	1	FILTER BASKET 16"
10052203	1	LID VENT ASSY
10053603	1	FITT. CAPNUT 2"BSP 5601
10054103	1	FITT.PO.NUT 2" BSP JAMB MCPHEE
10054203	1	GASKET F. 2" FITTINGS RUBBER
10054503	1	SCREW 3/4" SELF TAPPING
10062703	1	TANK RAW 300 GAL.84 MODEL
10064203	1	SET SEALING SPONGE RUBBER
10102203	1	GASKET F.16" LID BREATHER
10114803	1	FITT.PO.SE 0.50X0.50 SE1200
10166703	1	FITT.PO.BULKHEAD 2" BSP
28014203	1	LID ASSY. (3-PC.) 16" ARAG
28029803	1	CLAMP HOSE GEAR P1/2" 6708
28029903	1	CLAMP HOSE GEAR P3/4"-S1" 6712
28030103	1	CLAMP HOSE GEAR P5/4-S1.5"6724
92702103	1	HOSE R X1/2" X300PSI WP X0012"



FOR CONNECTING HOSE
FITTINGS, SEE SECTION H

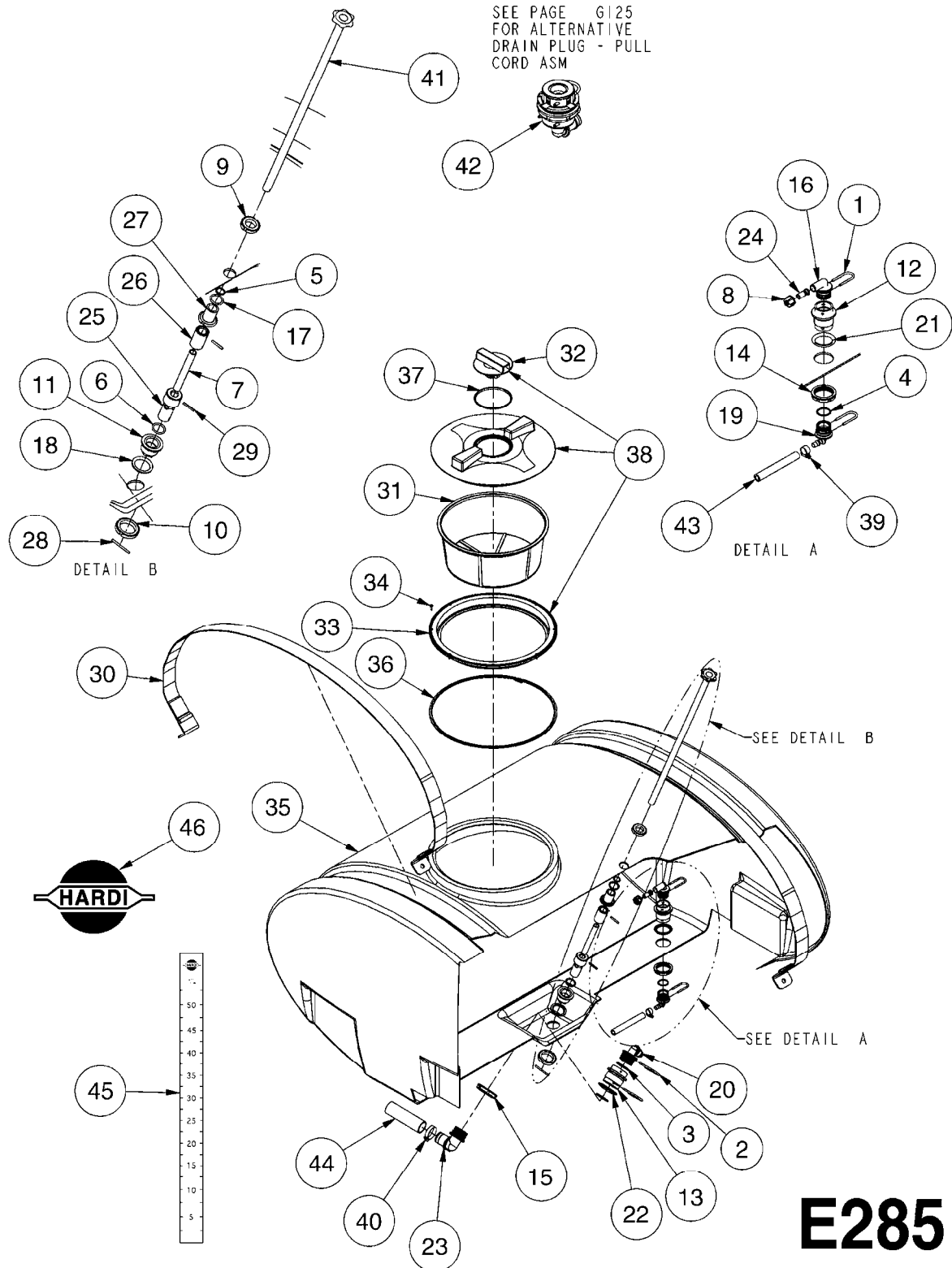
E280



TANK TR 300/500 W/EC (POST 93)
E280-HIN, 06:09:11

Page 1
Date 19.03.2013 9:50

parts-n°	order qty	description
145995	1	FITT.DK S-53 FORK
170185	1	ANGLE BRACKET F. TANKSTRAP
241006	1	O-RING D79,2X5,7 NITRIL
241017	1	O-RING D74,5X3 NITRIL
242354	1	O-RING D32.2X3.0 VITON F.S-53
320084	1	FITT.DK NUT 1/2" BSP
320795	1	FITT.DK NUT 1-1/2" BSP JAMB
321311	1	FILTER BODY S 80 X 4
321322	1	SCREW CAP F. S80 X 4
322103	1	FITT.DK S-53 BULKHEAD
322107	1	FITT.DK S-53 BULKHEAD NUT
322110	1	FITT.DK S-53 ELB. 1/2" BSP
330072	1	O-RING D53,5/D45,5X4
332603	1	CAP F. SUCTION TUBE
334230	1	FITT.DK S-53 STR.1"
334239	1	FITT.DK S-53 ELB.1/2"
334242	1	FITT.DK S-53 ELB.1"
334260	1	GASKET F. S-53 BULKHEAD
351748	1	TANK RAW 500 GAL
370495	1	NOZZLE INJECTOR 5066-3.0
430872	1	BOLT HEX 8.8 DEL M12X100 FT
440392	1	SCREW NO.14 1"
460703	1	NUT HEX M12X1.75 LOCK
615575	1	FILTER F.TOP SUCT.30 MESH GRN.
615576	1	FILTER F.TOP SUCT.50 MESH BLUE
722971	1	SAFETY VALVE SCF 217PSI(15BAR)
727742	1	TOP DRAIN CORD TYPE
728363	1	SUCTION TUBE ASSY.L=72"
978403	1	DECAL COMPANY 280 X 450
10002003	1	STRAP F. TR TANK 300 GAL.
10018203	1	TANK STRAP 500 GA.PRE'03 (92")
10045303	1	FILTER BASKET 16"
10052203	1	LID VENT ASSY
10054503	1	SCREW 3/4" SELF TAPPING
10062703	1	TANK RAW 300 GAL.84 MODEL
10064203	1	SET SEALING SPONGE RUBBER
10102203	1	GASKET F.16" LID BREATHER
28014203	1	LID ASSY. (3-PC.) 16" ARAG
28029803	1	CLAMP HOSE GEAR P1/2" 6708
28030003	1	CLAMP HOSE GEAR P1" 6716
28030103	1	CLAMP HOSE GEAR P5/4-S1.5"6724
61000303	1	TANK STRAP 500 GA POST'03(95")
92702103	1	HOSE R X1/2" X300PSI WP X0012"
92702403	1	HOSE PVC SUCT GRAY 1"





TANK PASTURE 300/550
E285-HIN, 13:12:06

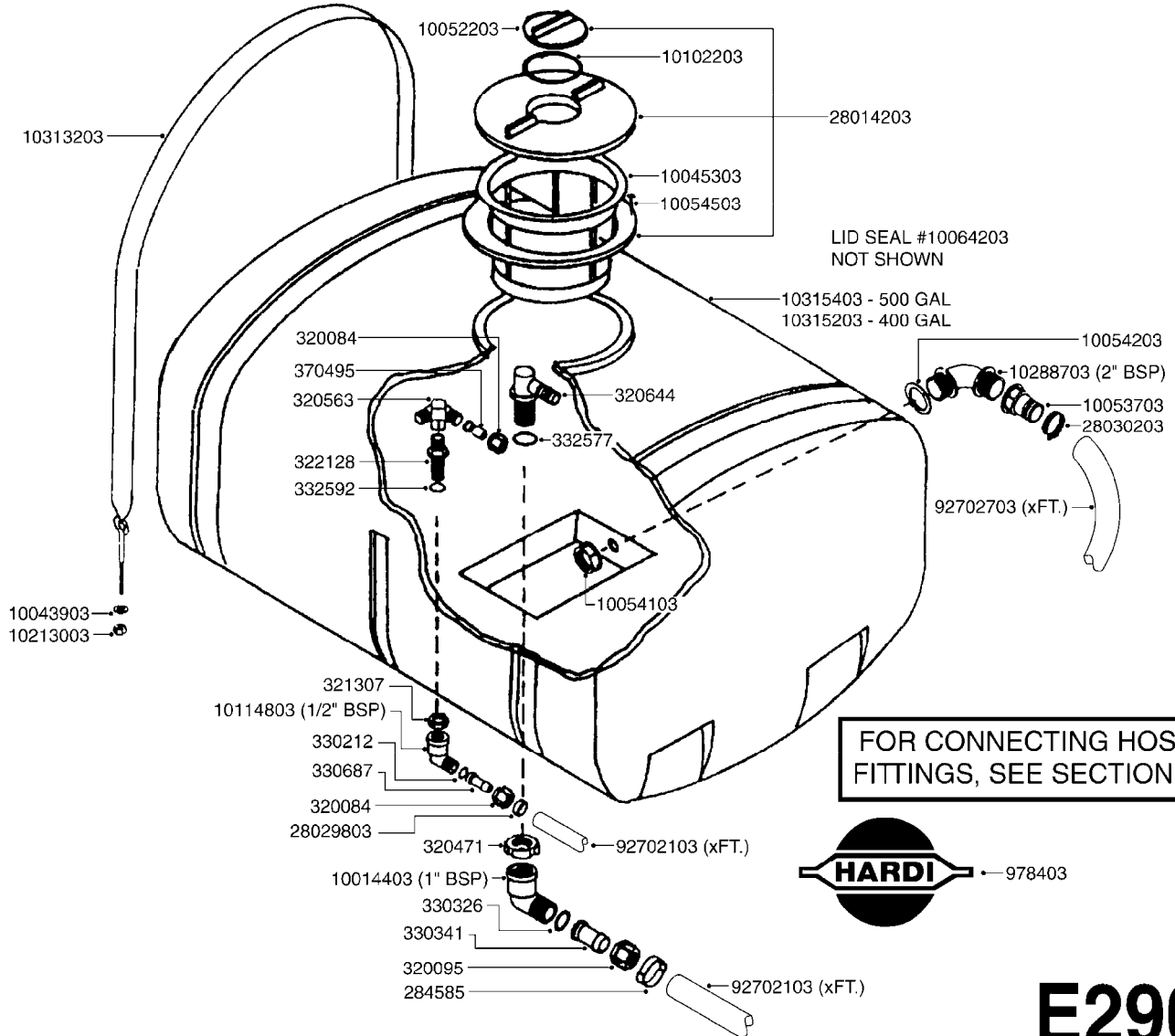
Page 1
Date 19.03.2013 9:50

Pos.	parts-n°	order qty	description
1	145995	1	FITT.DK S-53 FORK
2	145996	1	FITT.DK S-67 FORK
3	241973	1	O-RING 44.2 x 3.0 (use-242353)
4	242109	1	O-RING D32.2x3.0 (USE 242354)
5	242179	1	O-RING D23.0 X 3.0 NITRL
6	242543	1	O-RING D38/D30X4 VITON
7	251923	1	HOSE HIFLEX L=150MM
8	320084	1	FITT.DK NUT 1/2" BSP
9	320471	1	FITT.DK NUT 1" BSP JAMB
10	320795	1	FITT.DK NUT 1-1/2" BSP JAMB
11	321333	1	FITT.DK BULK 1-1/2" X 1" F BSP
12	322103	1	FITT.DK S-53 BULKHEAD
13	322104	1	FITT.DK S-67 BULKHEAD
14	322107	1	FITT.DK S-53 BULKHEAD NUT
15	322108	1	FITT.DK S-67 BULKHEAD NUT
16	322110	1	FITT.DK S-53 ELB. 1/2" BSP
17	332577	1	O-RING D38/D30X4 F.1" PUR.
18	332581	1	GASKET F. 1-1/2" BSP CAPNUT.
19	334239	1	FITT.DK S-53 ELB.1/2"
20	334243	1	FITT.DK S-67 ELB.1"
21	334260	1	GASKET F. S-53 BULKHEAD
22	334261	1	GASKET F. S-67 BULKHEAD
23	334445	1	FITT.DK S-67 ELB.1-1/2"
24	370495	1	NOZZLE INJECTOR 5066-3.0
25	390215	1	DRAIN SCREW 1' SPEC
26	390216	1	CONNECTOR F. HOSE/TUBE DRAIN
27	390878	1	LEAD-IN MACHINED 1"
28	480487	1	PIN M5X60 SLOTTED GALV
29	480719	1	PIN D5 X 36 STAINLESS
30	10002003	1	STRAP F. TR TANK 300 GAL.
30	61000303	1	TANK STRAP 500 GA POST'03 (95")
31	10045303	1	FILTER BASKET 16"
32	10052203	1	LID VENT ASSY
33	10052403	1	LID RING THREADED F.TANK
34	10054503	1	SCREW 3/4" SELF TAPPING
35	10062703	1	TANK RAW 300 GAL.84 MODEL
35	351748	1	TANK RAW 500 GAL
36	10064203	1	SET SEALING SPONGE RUBBER
37	10102203	1	GASKET F.16" LID BREATHER
38	28014203	1	LID ASSY. (3-PC.) 16" ARAG
39	28029803	1	CLAMP HOSE GEAR P1/2" 6708
40	28030103	1	CLAMP HOSE GEAR P5/4-S1.5"6724
41	70003403	1	DRAIN ASSEMBLY TORO 300T
42	72351400	1	DRAIN,S67 TOP
43	92702103	1	HOSE R X1/2" X300PSI WP X0012"
44	92714603	1	HOSE PVC SUCTION X 1.5 X 0012"
45	978057	1	DECAL S/G TANK 500GAL-99
46	97811600	1	DECAL COMPANY 335MM X 210MM



TANK - TMS 400/500
E290-HIN, 18:12:10

Page 0
Date 19.03.2013 9:50





TANK - TMS 400/500
E290-HIN, 18:12:10

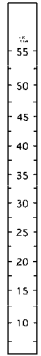
Page 1

Date 19.03.2013 9:50

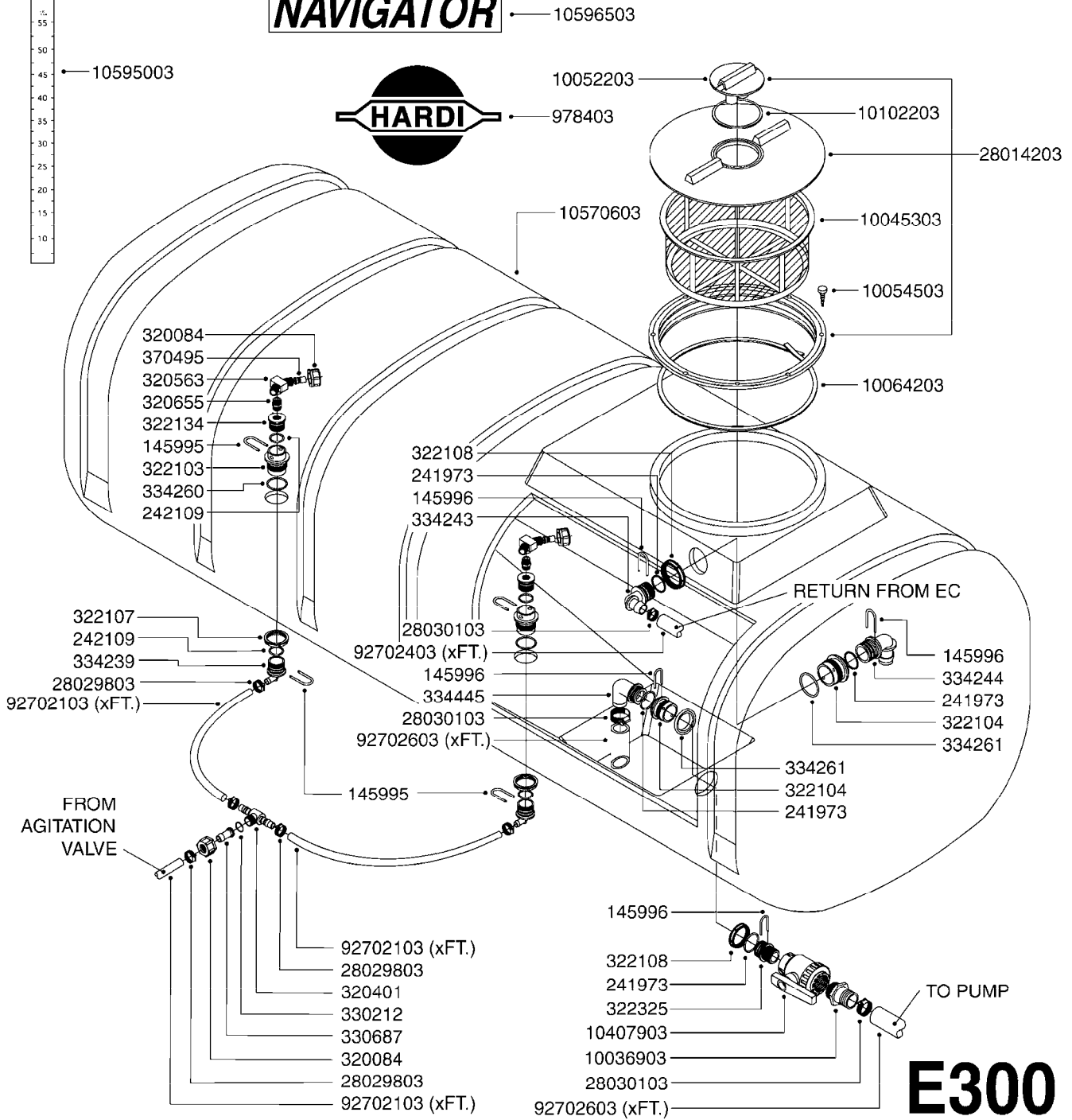
parts-n°	order qty	description
284585	1	CLAMP HOSE GEAR 1" MINI 020
320084	1	FITT.DK NUT 1/2" BSP
320095	1	FITT.DK NUT 1" BSP
320471	1	FITT.DK NUT 1" BSP JAMB
320563	1	FITT.DK 3 WAY 1/2" 110 DEG.
320644	1	FITT.DK ELB.3/4"HB X 1" BSP
321307	1	FITT.DK NUT 1/2" BSP JAMB
322128	1	NIPPLE 1/2"
330212	1	O-RING D19/D14X2.4 F.1/2"NUT
330326	1	O-RING D30/D24X2 F.1"NUT
330341	1	FITT.DK HB 1" F. 1" NUT
330687	1	FITT.DK HB 1/2" F. 1/2" NUT
332577	1	O-RING D38/D30X4 F.1" PUR.
332592	1	O-RING D26/D20X3
370495	1	NOZZLE INJECTOR 5066-3.0
978403	1	DECAL COMPANY 280 X 450
10014403	1	FITT.PO.SE 1.00X1.00 SE100
10043903	1	WASHER PLATE 7/16"
10045303	1	FILTER BASKET 16"
10052203	1	LID VENT ASSY
10053703	1	FITT.PO.HB STR. 2"BSP E4411
10054103	1	FITT.PO.NUT 2" BSP JAMB MCPHEE
10054203	1	GASKET F. 2" FITTINGS RUBBER
10054503	1	SCREW 3/4" SELF TAPPING
10064203	1	SET SEALING SPONGE RUBBER
10102203	1	GASKET F.16" LID BREATHER
10114803	1	FITT.PO.SE 0.50X0.50 SE1200
10213003	1	NUT HEX NC (NYLON LOCK) 7/16"
10288703	1	FITT.PO.EL 2MX2M 90 DEG MCPHEE
10313203	1	STRAP F.TANK TMS
10315203	1	TANK TMS 400 DRILLED HYPRO
10315403	1	HALFTANK TMS 500 DRILLED HYPRO
28014203	1	LID ASSY. (3-PC.) 16" ARAG
28029803	1	CLAMP HOSE GEAR P1/2" 6708
28030203	1	CLAMP HOSE T-BOLT S2" 235-67
92702103	1	HOSE R X1/2" X300PSI WP X0012"
92702703	1	HOSE PVC SUCT GRAY 2"



For Drain Assy.
See Page G120



NAVIGATOR



E300



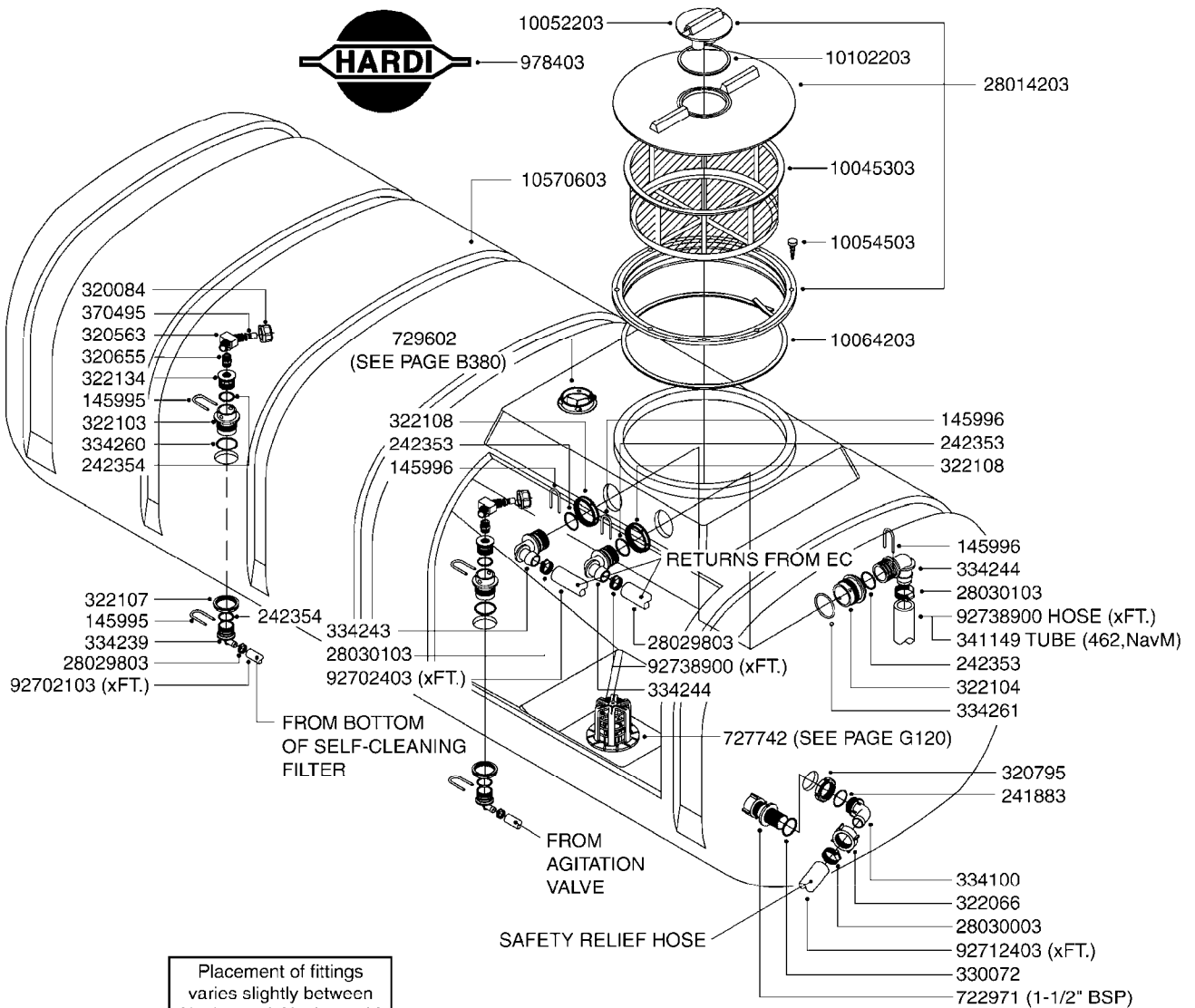
TANK 550 NAV/NAV-M CENTRIFUGAL
E300-HIN, 07:12:09

Page 1
Date 19.03.2013 9:50

parts-n°	order qty	description
145995	1	FITT.DK S-53 FORK
145996	1	FITT.DK S-67 FORK
241973	1	O-RING 44.2 x 3.0 (use-242353)
242109	1	O-RING D32.2x3.0 (USE 242354)
320084	1	FITT.DK NUT 1/2" BSP
320401	1	FITT.DK TEE 1/2X1/2HB X1/2"BSP
320563	1	FITT.DK 3 WAY 1/2" 110 DEG.
320655	1	FITT.DK HN 1/2"-1/2" BSP
322103	1	FITT.DK S-53 BULKHEAD
322104	1	FITT.DK S-67 BULKHEAD
322107	1	FITT.DK S-53 BULKHEAD NUT
322108	1	FITT.DK S-67 BULKHEAD NUT
322134	1	FITT.DK S-53THREAD INS.1/2"BSP
322325	1	FITT.DK S-67 X 1-1/2"BSP LONG
330212	1	O-RING D19/D14X2.4 F.1/2"NUT
330687	1	FITT.DK HB 1/2" F. 1/2" NUT
334239	1	FITT.DK S-53 ELB.1/2"
334243	1	FITT.DK S-67 ELB.1"
334244	1	FITT.DK S-67 ELB.1-1/4"
334260	1	GASKET F. S-53 BULKHEAD
334261	1	GASKET F. S-67 BULKHEAD
334445	1	FITT.DK S-67 ELB.1-1/2"
370495	1	NOZZLE INJECTOR 5066-3.0
978403	1	DECAL COMPANY 280 X 450
10036903	1	FITT.PO.HB 1.50X1.50 IMB1212
10045303	1	FILTER BASKET 16"
10052203	1	LID VENT ASSY
10054503	1	SCREW 3/4" SELF TAPPING
10064203	1	SET SEALING SPONGE RUBBER
10102203	1	GASKET F.16" LID BREATHER
10407903	1	BALL VALVE 1-1/2" MCPHEE
10570603	1	TANK RAW NAV.550 GAL.
10595003	1	DECAL SCALE NAV 550 F.TANK
10596503	1	DECAL NAVIGATOR LABEL
28014203	1	LID ASSY. (3-PC.) 16" ARAG
28029803	1	CLAMP HOSE GEAR P1/2" 6708
28030103	1	CLAMP HOSE GEAR P5/4-S1.5"6724
92702103	1	HOSE R X1/2" X300PSI WP X0012"
92702403	1	HOSE PVC SUCT GRAY 1"
92702603	1	HOSE PVC SUCT GRAY 1-1/2"



NAVIGATOR ← 10596503



Placement of fittings varies slightly between Navigator & Navigator M

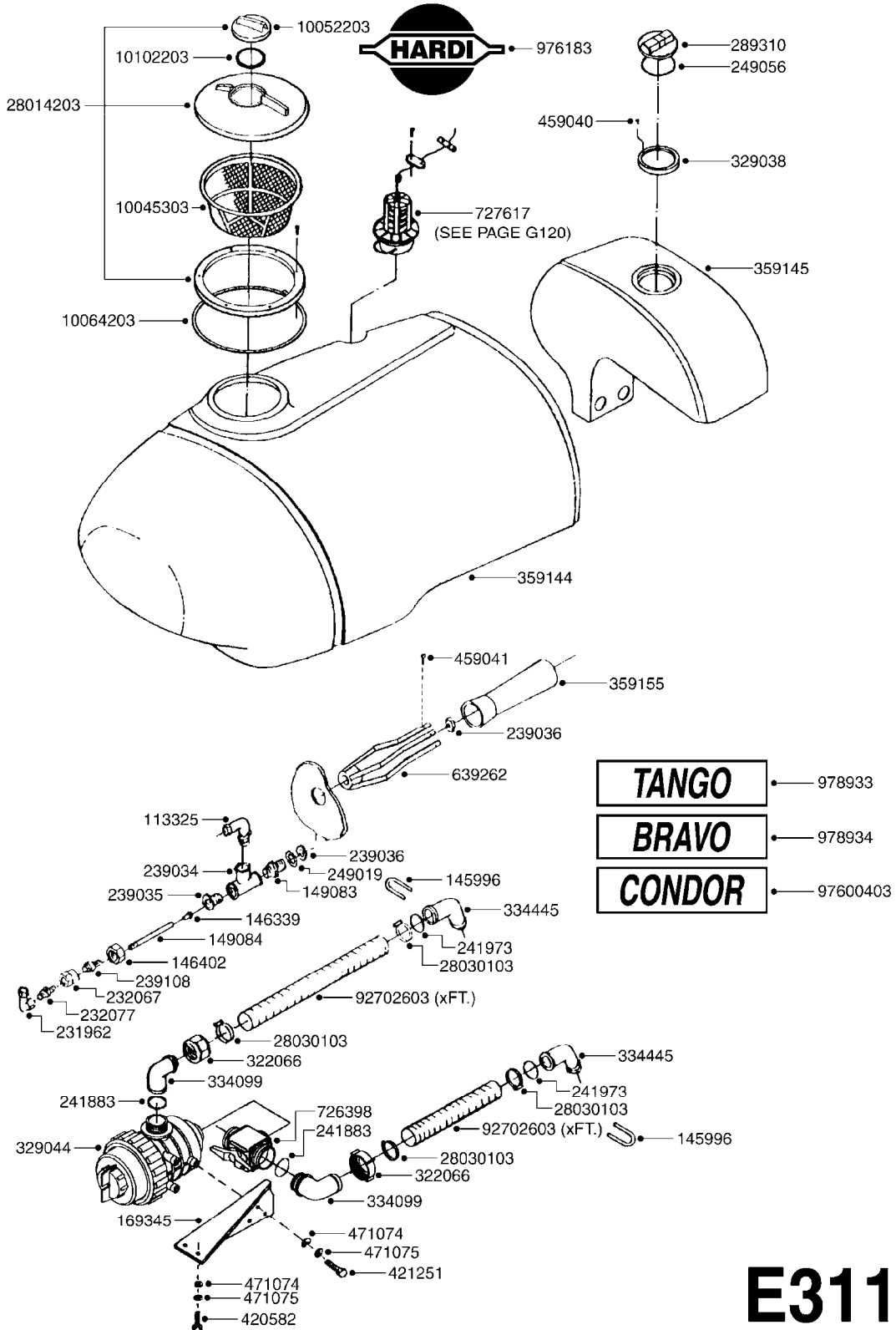
E310



TANK 550 NAV & NAV-M DIAPHRAGM
E310-HIN, 19:05:11

Page 1
Date 19.03.2013 9:50

parts-n°	order qty	description
145995	1	FITT.DK S-53 FORK
145996	1	FITT.DK S-67 FORK
241883	1	O-RING D39.2X3 NITRIL
242353	1	O-RING D44.2X3.0 VITON F.S-67
242354	1	O-RING D32.2X3.0 VITON F.S-53
320084	1	FITT.DK NUT 1/2" BSP
320563	1	FITT.DK 3 WAY 1/2" 110 DEG.
320655	1	FITT.DK HN 1/2"-1/2" BSP
320795	1	FITT.DK NUT 1-1/2" BSP JAMB
322066	1	FITT.DK S-56 NUT
322103	1	FITT.DK S-53 BULKHEAD
322104	1	FITT.DK S-67 BULKHEAD
322107	1	FITT.DK S-53 BULKHEAD NUT
322108	1	FITT.DK S-67 BULKHEAD NUT
322134	1	FITT.DK S-53THREAD INS.1/2"BSP
330072	1	O-RING D53,5/D45,5X4
334100	1	FITT.DK S-61 ELB.1" 110 DEG.
334239	1	FITT.DK S-53 ELB.1/2"
334243	1	FITT.DK S-67 ELB.1"
334244	1	FITT.DK S-67 ELB.1-1/4"
334260	1	GASKET F. S-53 BULKHEAD
334261	1	GASKET F. S-67 BULKHEAD
341149	1	RETURN TUBE F.NAV.D40 L=2000
370495	1	NOZZLE INJECTOR 5066-3.0
722971	1	SAFETY VALVE SCF 217PSI (15BAR)
727742	1	TOP DRAIN CORD TYPE
729602	1	TOP SUCTION KIT NAV 2"
978403	1	DECAL COMPANY 280 X 450
10045303	1	FILTER BASKET 16"
10052203	1	LID VENT ASSY
10054503	1	SCREW 3/4" SELF TAPPING
10064203	1	SET SEALING SPONGE RUBBER
10102203	1	GASKET F.16" LID BREATHER
10570603	1	TANK RAW NAV.550 GAL.
10596503	1	DECAL NAVIGATOR LABEL
28014203	1	LID ASSY. (3-PC.) 16" ARAG
28029803	1	CLAMP HOSE GEAR P1/2" 6708
28030003	1	CLAMP HOSE GEAR P1" 6716
28030103	1	CLAMP HOSE GEAR P5/4-S1.5"6724
92702103	1	HOSE R X1/2" X300PSI WP X0012"
92702403	1	HOSE PVC SUCT GRAY 1"
92712403	1	HOSE R X1" X300PSI WP X0012"
92738900	1	HOSE R X PVC X 1-1/4" 0012"



E311



TANK - TANGO/BRAVO/CONDOR 500
E311-HIN, 07:12:09

Page 1
Date 19.03.2013 9:50

parts-n°	order qty	description
145996	1	FITT.DK S-67 FORK
146339	1	AIRING SCREW D 1.75
146402	1	UNION NUT 32 MM
149083	1	NIPPLE 3/4"
149084	1	INJECTOR TUBE 3/4"
169345	1	SUCTION FILTER MOUNT BRACKET
231962	1	ELBOW BRASS 1/2"
232067	1	NIPPLE-SOCKET 1/2"X32MM
232077	1	HEX NIPPLE 1/2' BRASS
239034	1	TEE FITTING 3/4" BRASS
239035	1	NIPPLE 1/2"M - 3/4"F
239036	1	NUT 3/4"
239108	1	NIPPLE SOCKET 1/2"
241883	1	O-RING D39.2X3 NITRIL
241973	1	O-RING 44.2 x 3.0 (use-242353)
249019	1	O-RING 3/4 26X5
249056	1	GASKET F.LID 289310 D.255
289310	1	RINSE TANK LID CR/TG
322066	1	FITT.DK S-56 NUT
329038	1	RINSE TANK LID RING CR/TG
329044	1	SUCTION FILTER ASSY. ARAG 1"
334099	1	FITT.DK S-61 ELB.1-1/2"110 DEG
334445	1	FITT.DK S-67 ELB.1-1/2"
359144	1	TANK CONDOR 500 GAL.
359145	1	FLUSH TANK CONDOR
359155	1	VENTURI TUBE
420582	1	BOLT HEX 8.8 DEL M8X20 FT
421251	1	BOLT HEX M8X15
459040	1	SCREW INOX 4.2X25 DIN7941
459041	1	SCREW
471074	1	WASHER M8 ELZ
471075	1	WASHER M8 LOCK
639262	1	FRONT BRACKET VENTURI
726398	1	VALVE 3-WAY BLACK
727617	1	FITT.DK S-93 BOTTOM VALVE 2'
976183	1	DECAL COMPANY 185 X 300
978933	1	DECAL TANGO
978934	1	DECAL BRAVO
10045303	1	FILTER BASKET 16"
10052203	1	LID VENT ASSY
10064203	1	SET SEALING SPONGE RUBBER
10102203	1	GASKET F.16" LID BREATHER
28014203	1	LID ASSY. (3-PC.) 16" ARAG
28030103	1	CLAMP HOSE GEAR P5/4-S1.5"6724
92702603	1	HOSE PVC SUCT GRAY 1-1/2"
97600403	1	DECAL CONDOR



TANK - MERCURY 600
E312-HIN, 21:09:11

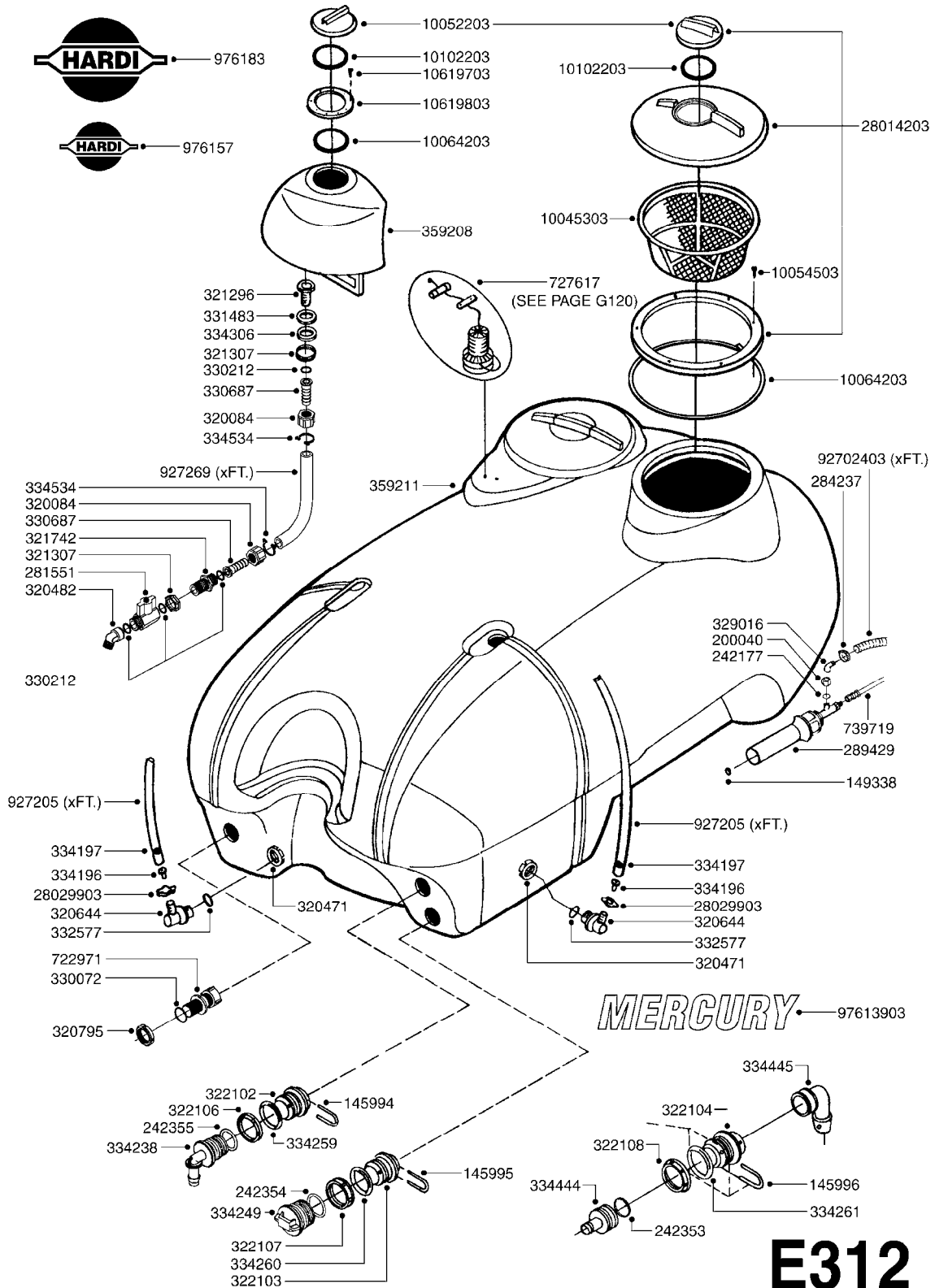
Page

0

Date

19.03.2013

9:50





TANK - MERCURY 600
E312-HIN, 21:09:11

Page 1
Date 19.03.2013 9:50

parts-n°	order qty	description
145994	1	FITT.DK S-40 FORK
145995	1	FITT.DK S-53 FORK
145996	1	FITT.DK S-67 FORK
149338	1	INTERMIX JET 5MM
200040	1	FITT. ARAG 1"
242177	1	O-RING D25.4 X 20.2 X 2.6
242353	1	O-RING D44.2X3.0 VITON F.S-67
242354	1	O-RING D32.2X3.0 VITON F.S-53
242355	1	O-RING D19.2X3.0 VITON F.S-40
281551	1	BALL VALVE 1/2"
284237	1	CLAMP HOSE GEAR D20/30
289429	1	AGITATION INJECTOR DUAL INPUT
320084	1	FITT.DK NUT 1/2" BSP
320471	1	FITT.DK NUT 1" BSP JAMB
320482	1	FITT.DK ELB. 1/2" BSP 60 DEG.
320644	1	FITT.DK ELB.3/4"HB X 1" BSP
320795	1	FITT.DK NUT 1-1/2" BSP JAMB
321296	1	FITT.DK BULKHEAD 1/2" BSP SING
321307	1	FITT.DK NUT 1/2" BSP JAMB
321742	1	FITT.DK BULKHEAD 1/2' BSP
322102	1	FITT.DK S-40 BULKHEAD
322103	1	FITT.DK S-53 BULKHEAD
322104	1	FITT.DK S-67 BULKHEAD
322106	1	FITT.DK S-40 BULKHEAD NUT
322107	1	FITT.DK S-53 BULKHEAD NUT
322108	1	FITT.DK S-67 BULKHEAD NUT
329016	1	MOUNT BRACKET ILEMO
330072	1	O-RING D53,5/D45,5X4
330212	1	O-RING D19/D14X2.4 F.1/2"NUT
330687	1	FITT.DK HB 1/2" F. 1/2" NUT
331483	1	WASHER RY-2
332577	1	O-RING D38/D30X4 F.1" PUR.
334196	1	PLUG F. LIQUID LEV. INDICATOR
334197	1	BALL F. LIQUID LEV. INDICATOR
334238	1	FITT.DK S-40 ELB.1/2'
334249	1	FITT.DK S-53 PLUG
334259	1	GASKET F. S-40 BULKHEAD
334260	1	GASKET F. S-53 BULKHEAD
334261	1	GASKET F. S-67 BULKHEAD
334306	1	WASHER D22 PA
334444	1	FITT.DK S-67 STR.1-1/2" PVC
334445	1	FITT.DK S-67 ELB.1-1/2"
334534	1	CLAMP HOSE PLASTIC 1/2"
359208	1	CLEAN WATER TANK - MERCURY
359211	1	TANK RAW 600 GAL. MERCURY
722971	1	SAFETY VALVE SCF 217PSI(15BAR)
727617	1	FITT.DK S-93 BOTTOM VALVE 2'
739719	1	HOSE ASSEMBLY D12 X 3300
927205	1	HOSE R X CLEAR X 3/4 X 0012"
927269	1	HOSE R X PVC X 1/2 X 0012"
976157	1	DECAL COMPANY (4.4" X 4.6")
976183	1	DECAL COMPANY 185 X 300
10045303	1	FILTER BASKET 16"
10052203	1	LID VENT ASSY
10054503	1	SCREW 3/4" SELF TAPPING
10064203	1	SET SEALING SPONGE RUBBER
10102203	1	GASKET F.16" LID BREATHER
10619703	1	SCREW SS #6x3/4' SELF TAPPING
10619803	1	LID HOUSING TREADED F. 6'
28014203	1	LID ASSY. (3-PC.) 16" ARAG
28029903	1	CLAMP HOSE GEAR P3/4"-S1" 6712

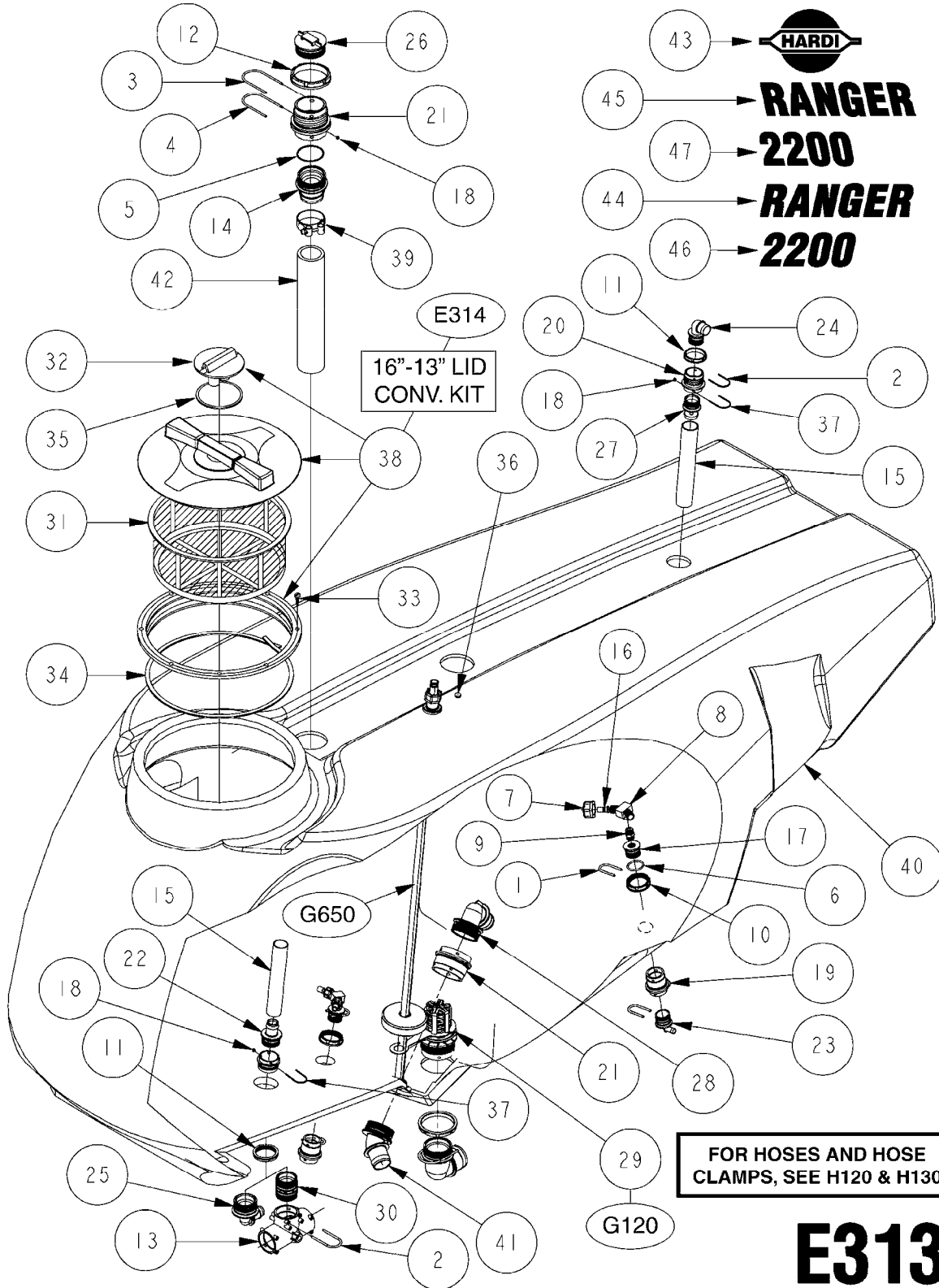


TANK - MERCURY 600
E312-HIN, 21:09:11

Page 2

Date 19.03.2013 9:50

parts-n°	order qty	description
92702403 97613903	1 1	HOSE PVC SUCT GRAY 1" DECAL MERCURY 2011



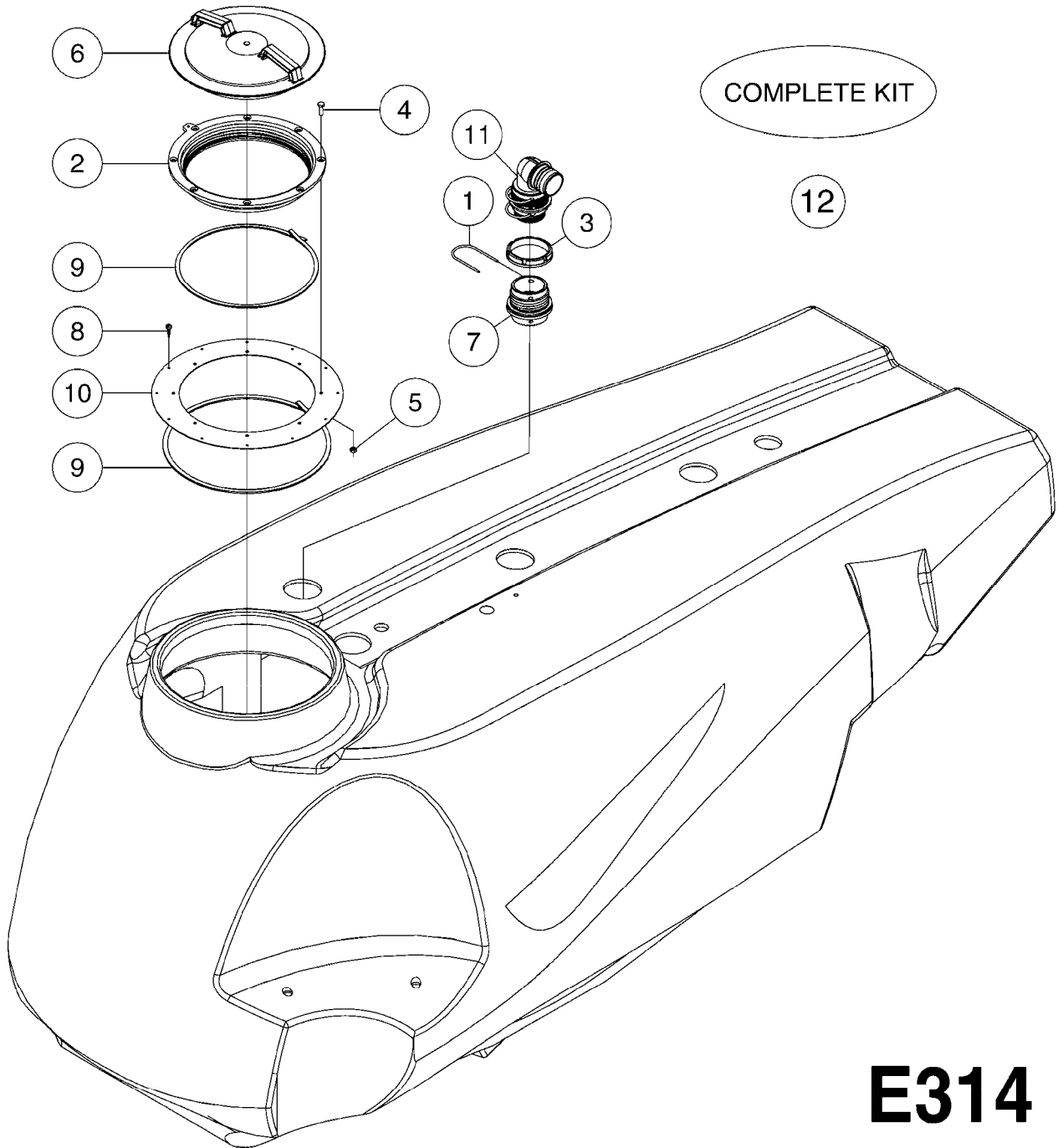


TANK - RANGER 2200 (PRE '08)
E313-HIN, 05:01:12

Page 1

Date 19.03.2013 9:50

Pos.	parts-n°	order qty	description
1	145995	1	FITT.DK S-53 FORK
2	145996	1	FITT.DK S-67 FORK
3	145997	1	FITT.DK S-93 FORK
4	147774	1	FITT.DK S-93 FORK W. M5 THREAD
5	242351	1	O-RING D69.5X3.0 VITON F.S-93
6	242354	1	O-RING D32.2X3.0 VITON F.S-53
7	320084	1	FITT.DK NUT 1/2" BSP
8	320563	1	FITT.DK 3 WAY 1/2" 110 DEG.
9	320655	1	FITT.DK HN 1/2"-1/2" BSP
10	322107	1	FITT.DK S-53 BULKHEAD NUT
11	322108	1	FITT.DK S-67 BULKHEAD NUT
12	322109	1	FITT.DK S-93 BULKHEAD NUT
13	322224	1	FITT.DK S-67 TEE
14	334235	1	FITT.DK S-93 STR.2-1/2'RUBBER
15	341149	1	RETURN TUBE F.NAV.D40 L=2000
16	370495	1	NOZZLE INJECTOR 5066-3.0
17	391100	1	FITT.DK S-53THREAD INS.1/2"BSP
18	461217	1	NUT HEX M5 LOCK
19	726463	1	FITT.DK S53 BULKHEAD W/GASKET
20	726464	1	FITT.DK S-67 BULKHEAD W/GASKET
21	726465	1	FITT.DK S-93 BULKHEAD W/GASKET
22	726561	1	FITT.DK S-67 STR.1-1/4" O'RING
23	726568	1	FITT.DK.S-53 HB 1/2"90 W/ORING
24	726572	1	FITT.DK S-67 1" ELBOW 90 ASSY.
25	727224	1	FITT.DK S-67 ELB.1-1/2"
26	726580	1	FITT. S93 PLUG W/O-RING
27	727223	1	FITT.S67 1.5" STRAIT S W/ORING
28	727225	1	FITT.DK S-93 ELB.2'PVC W/ORING
29	727742	1	TOP DRAIN CORD TYPE
30	728526	1	FITT.DK S-67 CONNECT W. ORINGS
31	10045303	1	FILTER BASKET 16"
32	10052203	1	LID VENT ASSY
33	10054503	1	SCREW 3/4" SELF TAPPING
34	10064203	1	SET SEALING SPONGE RUBBER
35	10102203	1	GASKET F.16" LID BREATHER
36	14001500	1	GROMMET F.TOP DRAIN CORD
37	14012200	1	FITT.DK S-67 FORK W/M5 THREADS
38	28014203	1	LID ASSY. (3-PC.) 16" ARAG
39	28030303	1	CLAMP HOSE T-BOLT S2.5" 235-76
40	35003803	1	TANK, MAIN 2200L RANGER DK PIG
41	72072700	1	FITT.DK S-93 45D 2" PVC
42	92702803	1	HOSE PVC SUCT GRAY 2-1/2"
43	97811600	1	DECAL COMPANY 335MM X 210MM
44	97817500	1	DECAL RANGER LEFT
45	97817600	1	DECAL RANGER RIGHT
46	97817700	1	DECAL 2200 LEFT
47	97817800	1	DECAL 2200 RIGHT

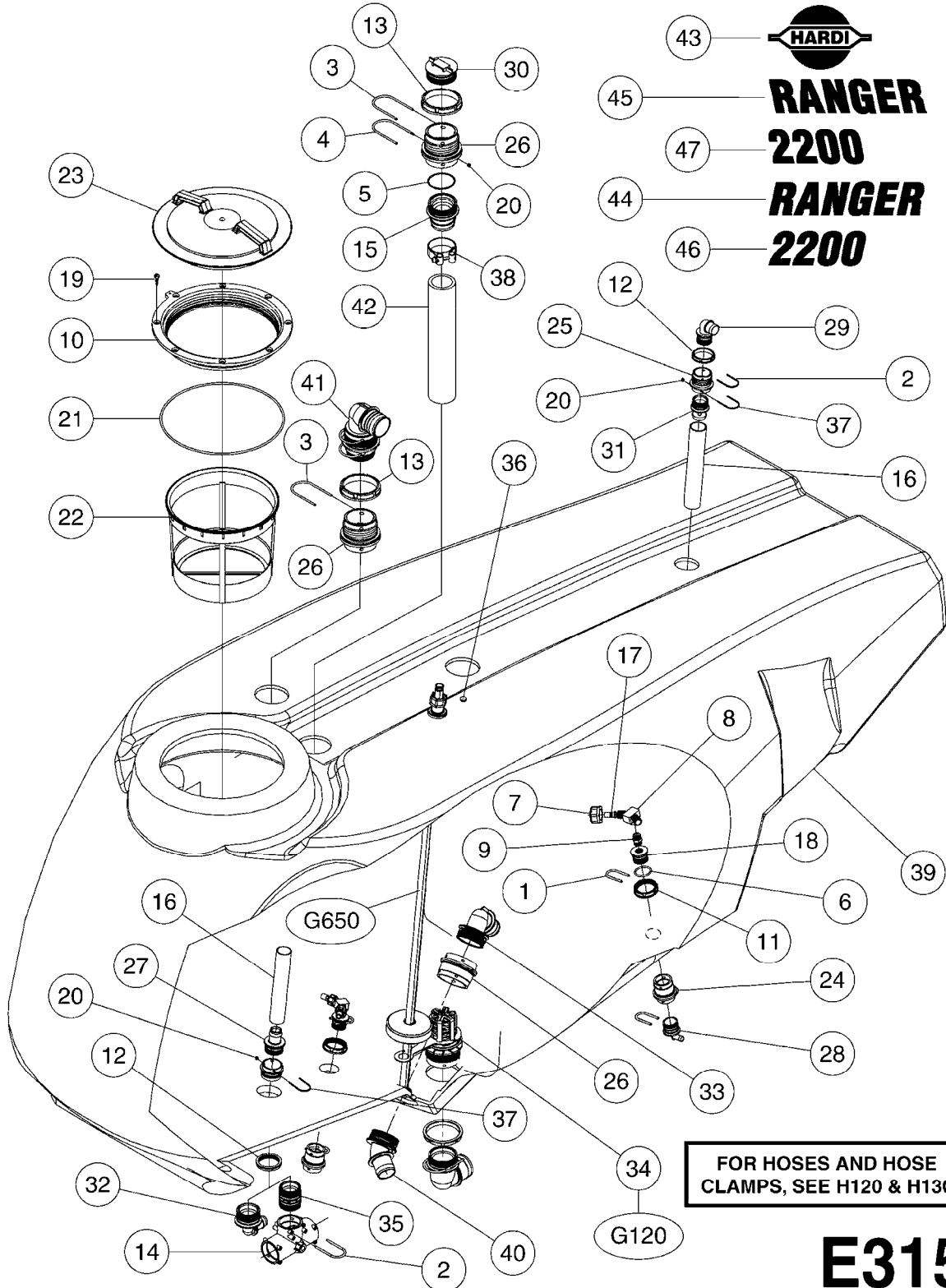




SEVERE TERRAIN LID CONV. KIT
E314-HIN, 18:11:09

Page 1
Date 19.03.2013 9:50

Pos.	parts-n°	order qty	description
1	145997	1	FITT.DK S-93 FORK
2	322097	1	THREADED RING F. LID
3	322109	1	FITT.DK S-93 BULKHEAD NUT
4	410546	1	BOLT HEX 8.8 DEL M6X12 FT
5	460261	1	NUT HEX M6X1 LOCK
6	726003	1	LID F. TANK
7	726465	1	FITT.DK S-93 BULKHEAD W/GASKET
8	10054503	1	SCREW 3/4" SELF TAPPING
9	10064203	1	SET SEALING SPONGE RUBBER
10	16134303	1	LID MOUNTING RING SS
11	72374800	1	TANK VENT S93 2-1/2" NAV/NCM
12	83351203	1	LID,SEVERE TERRAIN KIT 16"ADPT



**RANGER
2200
RANGER
2200**

FOR HOSES AND HOSE CLAMPS, SEE H120 & H130

E315

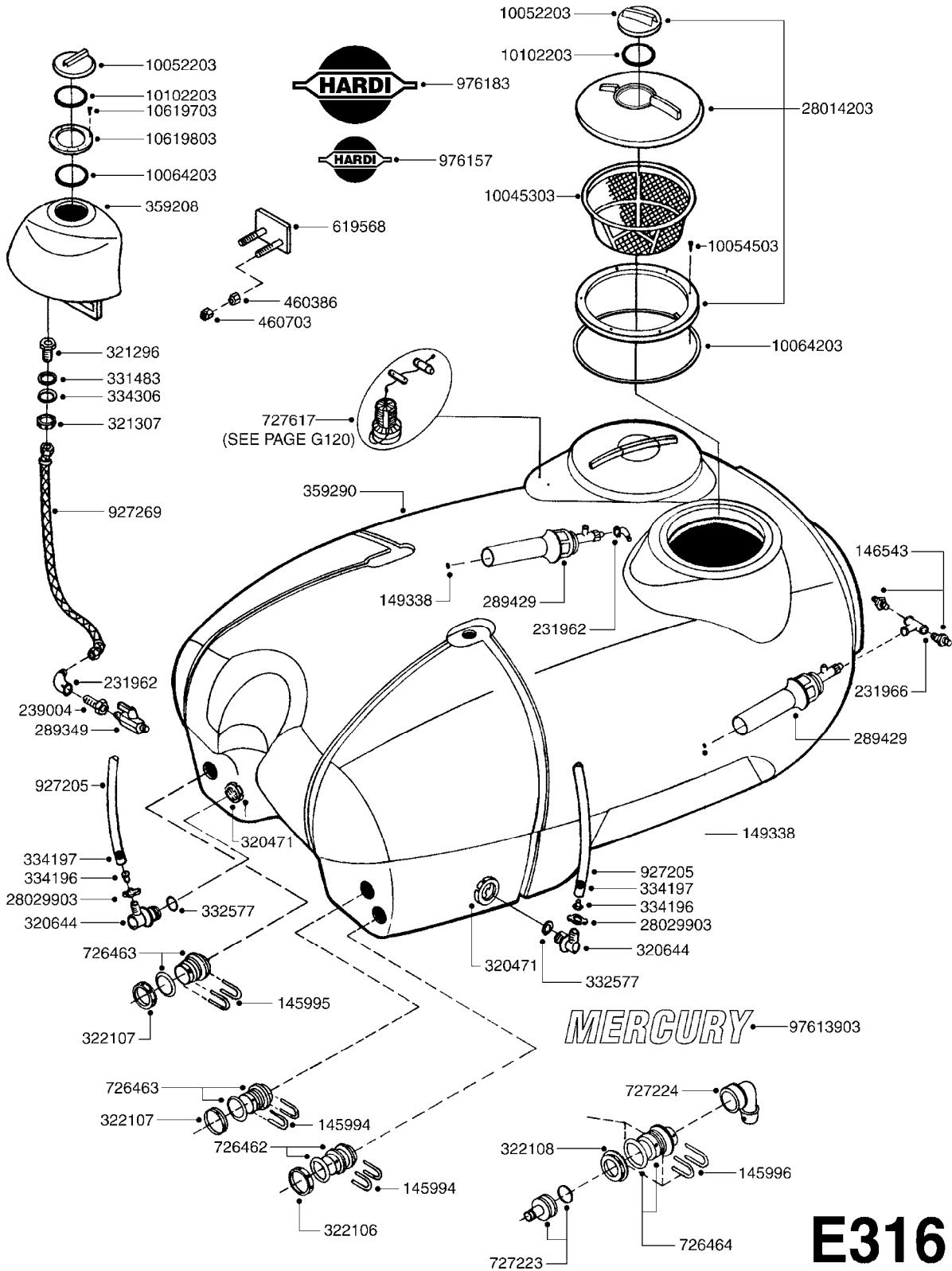


TANK - RANGER 2200 (POST '08)
E315-HIN, 05:01:12

Page 1

Date 19.03.2013 9:50

Pos.	parts-n°	order qty	description
1	145995	1	FITT.DK S-53 FORK
2	145996	1	FITT.DK S-67 FORK
3	145997	1	FITT.DK S-93 FORK
4	147774	1	FITT.DK S-93 FORK W. M5 THREAD
5	242351	1	O-RING D69.5X3.0 VITON F.S-93
6	242354	1	O-RING D32.2X3.0 VITON F.S-53
7	320084	1	FITT.DK NUT 1/2" BSP
8	320563	1	FITT.DK 3 WAY 1/2" 110 DEG.
9	320655	1	FITT.DK HN 1/2"-1/2" BSP
10	322097	1	THREADED RING F. LID
11	322107	1	FITT.DK S-53 BULKHEAD NUT
12	322108	1	FITT.DK S-67 BULKHEAD NUT
13	322109	1	FITT.DK S-93 BULKHEAD NUT
14	322224	1	FITT.DK S-67 TEE
15	334235	1	FITT.DK S-93 STR.2-1/2'RUBBER
16	341149	1	RETURN TUBE F.NAV.D40 L=2000
17	370495	1	NOZZLE INJECTOR 5066-3.0
18	391100	1	FITT.DK S-53THREAD INS.1/2"BSP
19	440392	1	SCREW NO.14 1"
20	461217	1	NUT HEX M5 LOCK
21	614588	1	SEAL F. LID
22	614602	1	FILTER BASKET
23	726003	1	LID F. TANK
24	726463	1	FITT.DK S53 BULKHEAD W/GASKET
25	726464	1	FITT.DK S-67 BULKHEAD W/GASKET
26	726465	1	FITT.DK S-93 BULKHEAD W/GASKET
27	726561	1	FITT.DK S-67 STR.1-1/4" O'RING
28	726568	1	FITT.DK.S-53 HB 1/2"90 W/ORING
29	726572	1	FITT.DK S-67 1" ELBOW 90 ASSY.
30	726580	1	FITT. S93 PLUG W/O-RING
31	727223	1	FITT.S67 1.5" STRAIT S W/ORING
32	727224	1	FITT.DK S-67 ELB.1-1/2"
33	727225	1	FITT.DK S-93 ELB.2'PVC W/ORING
34	727742	1	TOP DRAIN CORD TYPE
35	728526	1	FITT.DK S-67 CONNECT W. ORINGS
36	14001500	1	GROMMET F.TOP DRAIN CORD
37	14012200	1	FITT.DK S-67 FORK W/M5 THREADS
38	28030303	1	CLAMP HOSE T-BOLT S2.5" 235-76
39	35003803	1	TANK, MAIN 2200L RANGER DK PIG
40	72072700	1	FITT.DK S-93 45D 2" PVC
41	72374800	1	TANK VENT S93 2-1/2" NAV/NCM
42	92702803	1	HOSE PVC SUCT GRAY 2-1/2"
43	97811600	1	DECAL COMPANY 335MM X 210MM
44	97817500	1	DECAL RANGER LEFT
45	97817600	1	DECAL RANGER RIGHT
46	97817700	1	DECAL 2200 LEFT
47	97817800	1	DECAL 2200 RIGHT



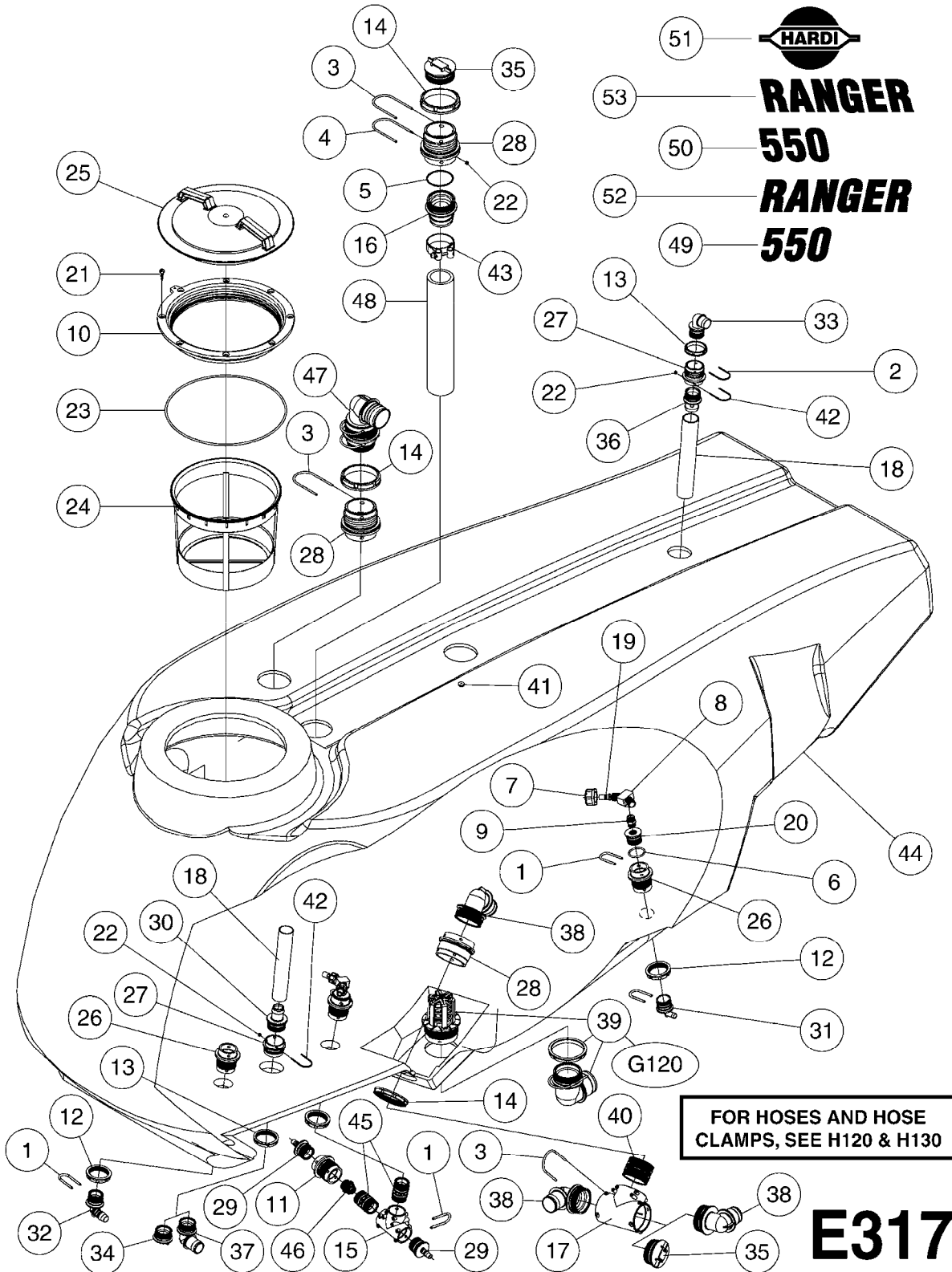
E316



TANK - MERCURY 925
E316-HIN, 21:09:11

Page 1
Date 19.03.2013 9:50

parts-n°	order qty	description
145994	1	FITT.DK S-40 FORK
145995	1	FITT.DK S-53 FORK
145996	1	FITT.DK S-67 FORK
146543	1	HEXAGON NIPPLE 1/2"
149338	1	INTERMIX JET 5MM
231962	1	ELBOW BRASS 1/2"
231966	1	TEE 1/2'
239004	1	BUSHING 1/2"-3/8" BRASS
289349	1	BALL VALVE 3/8" M-H
289429	1	AGITATION INJECTOR DUAL INPUT
320471	1	FITT.DK NUT 1" BSP JAMB
320644	1	FITT.DK ELB.3/4"HB X 1" BSP
321296	1	FITT.DK BULKHEAD 1/2" BSP SING
321307	1	FITT.DK NUT 1/2" BSP JAMB
322106	1	FITT.DK S-40 BULKHEAD NUT
322107	1	FITT.DK S-53 BULKHEAD NUT
322108	1	FITT.DK S-67 BULKHEAD NUT
331483	1	WASHER RY-2
332577	1	O-RING D38/D30X4 F.1" PUR.
334196	1	PLUG F. LIQUID LEV. INDICATOR
334197	1	BALL F. LIQUID LEV. INDICATOR
334306	1	WASHER D22 PA
359208	1	CLEAN WATER TANK - MERCURY
359290	1	TANK, DRILLED 925 GAL. MERCURY
460386	1	NUT HEX M12X1.75
460703	1	NUT HEX M12X1.75 LOCK
619568	1	TANK SUPPORT BRACKET
726462	1	FITT. S40 BULHEAD W. GASKET
726463	1	FITT.DK S53 BULKHEAD W/GASKET
726464	1	FITT.DK S-67 BULKHEAD W/GASKET
727223	1	FITT.S67 1.5" STRAIT S W/ORING
727224	1	FITT.DK S-67 ELB.1-1/2"
727617	1	FITT.DK S-93 BOTTOM VALVE 2'
927205	1	HOSE R X CLEAR X 3/4 X 0012"
927269	1	HOSE R X PVC X 1/2 X 0012"
976157	1	DECAL COMPANY (4.4" X 4.6")
976183	1	DECAL COMPANY 185 X 300
10045303	1	FILTER BASKET 16"
10052203	1	LID VENT ASSY
10054503	1	SCREW 3/4" SELF TAPPING
10064203	1	SET SEALING SPONGE RUBBER
10102203	1	GASKET F.16" LID BREATHER
10619703	1	SCREW SS #6x3/4' SELF TAPPING
10619803	1	LID HOUSING TREADED F. 6'
28014203	1	LID ASSY. (3-PC.) 16" ARAG
28029903	1	CLAMP HOSE GEAR P3/4"-S1" 6712
97613903	1	DECAL MERCURY 2011

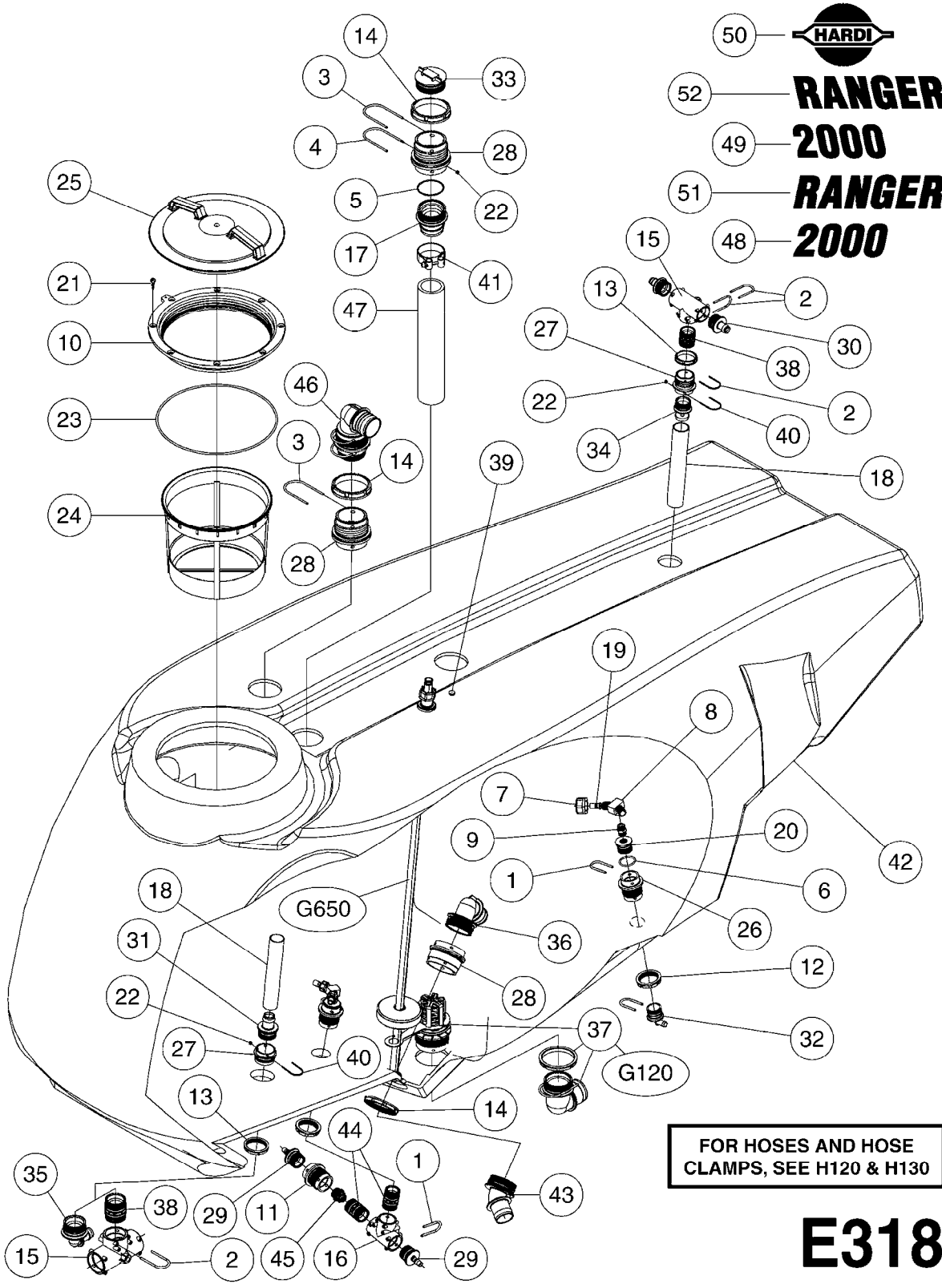




TANK - RANGER 550
E317-HIN, 05:01:12

Page 1
Date 19.03.2013 9:50

Pos.	parts-n°	order qty	description
1	145995	1	FITT.DK S-53 FORK
2	145996	1	FITT.DK S-67 FORK
3	145997	1	FITT.DK S-93 FORK
4	147774	1	FITT.DK S-93 FORK W. M5 THREAD
5	242351	1	O-RING D69.5X3.0 VITON F.S-93
6	242354	1	O-RING D32.2X3.0 VITON F.S-53
7	320084	1	FITT.DK NUT 1/2" BSP
8	320563	1	FITT.DK 3 WAY 1/2" 110 DEG.
9	320655	1	FITT.DK HN 1/2"-1/2" BSP
10	322097	1	THREADED RING F. LID
11	322103	1	FITT.DK S-53 BULKHEAD
12	322107	1	FITT.DK S-53 BULKHEAD NUT
13	322108	1	FITT.DK S-67 BULKHEAD NUT
14	322109	1	FITT.DK S-93 BULKHEAD NUT
15	322352	1	FITT.DK S-53 TEE
16	334235	1	FITT.DK S-93 STR.2-1/2'RUBBER
17	334545	1	FITT.DK S-93 TEE
18	341149	1	RETURN TUBE F.NAV.D40 L=2000
19	370495	1	NOZZLE INJECTOR 5066-3.0
20	391100	1	FITT.DK S-53THREAD INS.1/2"BSP
21	440392	1	SCREW NO.14 1"
22	461217	1	NUT HEX M5 LOCK
23	614588	1	SEAL F. LID
24	614602	1	FILTER BASKET
25	726003	1	LID F. TANK
26	726463	1	FITT.DK S53 BULKHEAD W/GASKET
27	726464	1	FITT.DK S-67 BULKHEAD W/GASKET
28	726465	1	FITT.DK S-93 BULKHEAD W/GASKET
29	726556	1	FITT.DK S-53 HB 1/2" W/O-RING
30	726561	1	FITT.DK S-67 STR.1-1/4" O'RING
31	726568	1	FITT.DK.S-53 HB 1/2"90 W/ORING
32	726570	1	FITT.DK S-53 ELB.3/4" W.ORING
33	726572	1	FITT.DK S-67 1" ELBOW 90 ASSY.
34	726579	1	FITT. S67 PLUG W/O-RING
35	726580	1	FITT. S93 PLUG W/O-RING
36	727223	1	FITT.S67 1.5" STRAIT S W/ORING
37	727224	1	FITT.DK S-67 ELB.1-1/2"
38	727225	1	FITT.DK S-93 ELB.2'PVC W/ORING
39	727742	1	TOP DRAIN CORD TYPE
40	728525	1	FITT. S93 CONNECTOR W/O-RINGS
41	14001500	1	GROMMET F.TOP DRAIN CORD
42	14012200	1	FITT.DK S-67 FORK W/M5 THREADS
43	28030303	1	CLAMP HOSE T-BOLT S2.5" 235-76
44	35003803	1	TANK, MAIN 2200L RANGER DK PIG
45	72114300	1	FITT. DK S-53 MALE MALE W.ORIN
46	72132600	1	CHECK VALVE SUBASSEMBLY S53
47	72374800	1	TANK VENT S93 2-1/2" NAV/NCM
48	92702803	1	HOSE PVC SUCT GRAY 2-1/2"
49	97612403	1	DECAL 550 LEFT
50	97612503	1	DECAL 550 RIGHT
51	97811600	1	DECAL COMPANY 335MM X 210MM
52	97817500	1	DECAL RANGER LEFT
53	97817600	1	DECAL RANGER RIGHT



FOR HOSES AND HOSE
CLAMPS, SEE H120 & H130

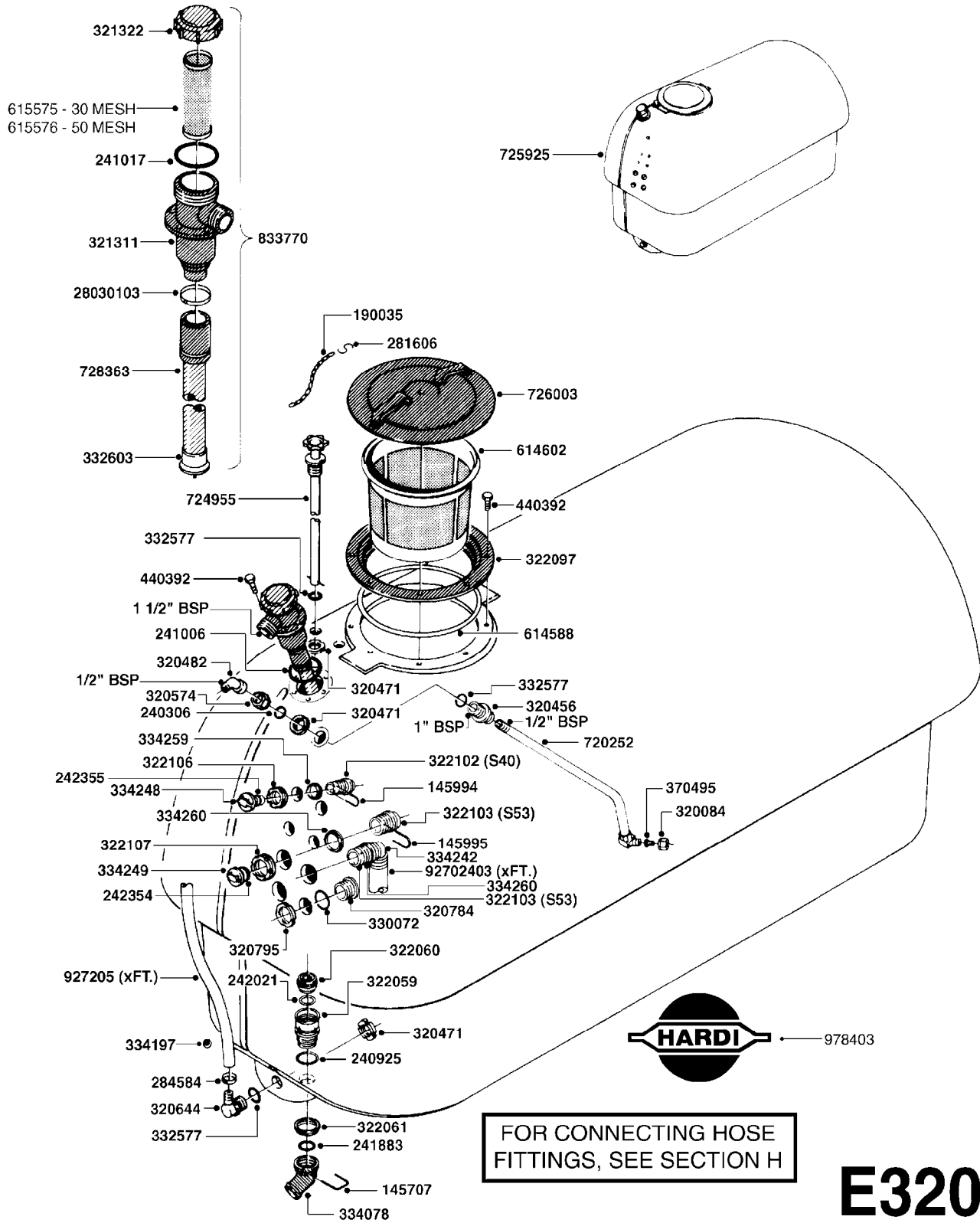
E318



TANK - RANGER 2000
E318-HIN, 05:01:12

Page 1
Date 19.03.2013 9:50

Pos.	parts-n°	order qty	description
1	145995	1	FITT.DK S-53 FORK
2	145996	1	FITT.DK S-67 FORK
3	145997	1	FITT.DK S-93 FORK
4	147774	1	FITT.DK S-93 FORK W. M5 THREAD
5	242351	1	O-RING D69.5X3.0 VITON F.S-93
6	242354	1	O-RING D32.2X3.0 VITON F.S-53
7	320084	1	FITT.DK NUT 1/2" BSP
8	320563	1	FITT.DK 3 WAY 1/2" 110 DEG.
9	320655	1	FITT.DK HN 1/2"-1/2" BSP
10	322097	1	THREADED RING F. LID
11	322103	1	FITT.DK S-53 BULKHEAD
12	322107	1	FITT.DK S-53 BULKHEAD NUT
13	322108	1	FITT.DK S-67 BULKHEAD NUT
14	322109	1	FITT.DK S-93 BULKHEAD NUT
15	322224	1	FITT.DK S-67 TEE
16	322352	1	FITT.DK S-53 TEE
17	334235	1	FITT.DK S-93 STR.2-1/2'RUBBER
18	341149	1	RETURN TUBE F.NAV.D40 L=2000
19	370495	1	NOZZLE INJECTOR 5066-3.0
20	391100	1	FITT.DK S-53THREAD INS.1/2"BSP
21	440392	1	SCREW NO.14 1"
22	461217	1	NUT HEX M5 LOCK
23	614588	1	SEAL F. LID
24	614602	1	FILTER BASKET
25	726003	1	LID F. TANK
26	726463	1	FITT.DK S53 BULKHEAD W/GASKET
27	726464	1	FITT.DK S-67 BULKHEAD W/GASKET
28	726465	1	FITT.DK S-93 BULKHEAD W/GASKET
29	726556	1	FITT.DK S-53 HB 1/2" W/O-RING
30	726560	1	FITT.DK S-67 STR.1" W.O'RING
31	726561	1	FITT.DK S-67 STR.1-1/4" O'RING
32	726568	1	FITT.DK.S-53 HB 1/2"90 W/ORING
33	726580	1	FITT. S93 PLUG W/O-RING
34	727223	1	FITT.S67 1.5" STRAIT S W/ORING
35	727224	1	FITT.DK S-67 ELB.1-1/2"
36	727225	1	FITT.DK S-93 ELB.2'PVC W/ORING
37	727742	1	TOP DRAIN CORD TYPE
38	728526	1	FITT.DK S-67 CONNECT W. ORINGS
39	14001500	1	GROMMET F.TOP DRAIN CORD
40	14012200	1	FITT.DK S-67 FORK W/M5 THREADS
41	28030303	1	CLAMP HOSE T-BOLT S2.5" 235-76
42	35003803	1	TANK, MAIN 2200L RANGER DK PIG
43	72072700	1	FITT.DK S-93 45D 2" PVC
44	72114300	1	FITT. DK S-53 MALE MALE W.ORIN
45	72132600	1	CHECK VALVE SUBASSEMBLY S53
46	72374800	1	TANK VENT S93 2-1/2" NAV/NCM
47	92702803	1	HOSE PVC SUCT GRAY 2-1/2"
48	97612203	1	DECAL 2000 LEFT
49	97612303	1	DECAL 2000 RIGHT
50	97811600	1	DECAL COMPANY 335MM X 210MM
51	97817500	1	DECAL RANGER LEFT
52	97817600	1	DECAL RANGER RIGHT



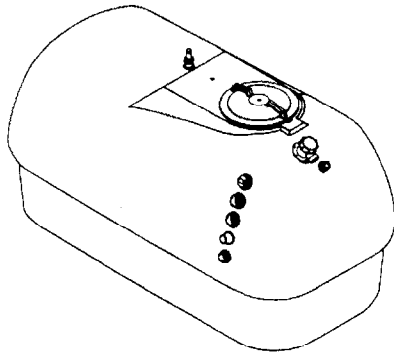


TANK - HC 650 (PRE 92)
E320-HIN, 17:05:11

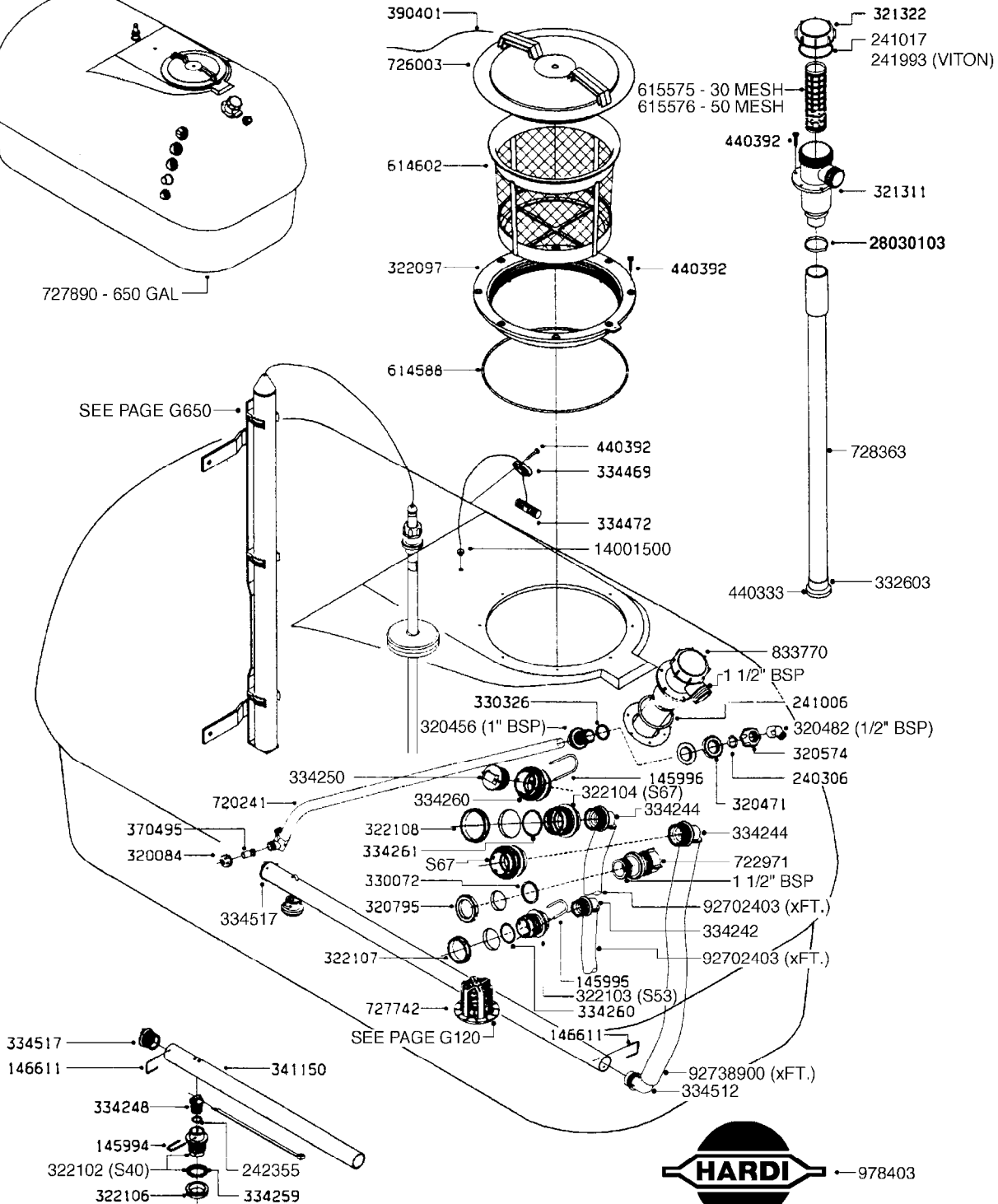
Page 1

Date 19.03.2013 9:50

parts-n°	order qty	description
145707	1	LOCK CLAMP F.BOTTOM DRAIN ASSY
145994	1	FITT.DK S-40 FORK
145995	1	FITT.DK S-53 FORK
190035	1	CHAIN 365MM
240306	1	O-RING D29/D21X4
240925	1	O-RING D49.5X3 NITRIL
241006	1	O-RING D79,2X5,7 NITRIL
241017	1	O-RING D74,5X3 NITRIL
241883	1	O-RING D39.2X3 NITRIL
242021	1	O-RING FOR BOTTOM VALVE
242354	1	O-RING D32.2X3.0 VITON F.S-53
242355	1	O-RING D19.2X3.0 VITON F.S-40
281606	1	S-HOOK GALVANIZED
284584	1	CLAMP HOSE GEAR 3/4" MINI 012
320084	1	FITT.DK NUT 1/2" BSP
320456	1	FITT.DK BULKHEAD 1"BSP DOUBLE
320471	1	FITT.DK NUT 1" BSP JAMB
320482	1	FITT.DK ELB. 1/2" BSP 60 DEG.
320574	1	FITT.DK NUT 1" BSP SPECIAL
320644	1	FITT.DK ELB.3/4"HB X 1" BSP
320784	1	FITT.DK CAP 1-1/2" BSP
320795	1	FITT.DK NUT 1-1/2" BSP JAMB
321311	1	FILTER BODY S 80 X 4
321322	1	SCREW CAP F. S80 X 4
322059	1	BULKHEAD FOR BOTTOM VALVE
322060	1	STOPPER FOR BOTTOM VALVE
322061	1	NUT FOR BOTTOM VALVE
322097	1	THREADED RING F. LID
322102	1	FITT.DK S-40 BULKHEAD
322103	1	FITT.DK S-53 BULKHEAD
322106	1	FITT.DK S-40 BULKHEAD NUT
322107	1	FITT.DK S-53 BULKHEAD NUT
330072	1	O-RING D53,5/D45,5X4
332577	1	O-RING D38/D30X4 F.1" PUR.
332603	1	CAP F. SUCTION TUBE
334078	1	FITT.DK ELB.F.BOTTOM DRAIN ASY
334197	1	BALL F. LIQUID LEV. INDICATOR
334242	1	FITT.DK S-53 ELB.1"
334248	1	FITT.DK S-40 PLUG
334249	1	FITT.DK S-53 PLUG
334259	1	GASKET F. S-40 BULKHEAD
334260	1	GASKET F. S-53 BULKHEAD
370495	1	NOZZLE INJECTOR 5066-3.0
440392	1	SCREW NO.14 1"
614588	1	SEAL F. LID
614602	1	FILTER BASKET
615575	1	FILTER F.TOP SUCT.30 MESH GRN.
615576	1	FILTER F.TOP SUCT.50 MESH BLUE
720252	1	AGITATION TUBE CPL HC650
724955	1	BOTTOM VALVE UPPER PART HC-650
725925	1	TANK W/O FRAME TX 2400
726003	1	LID F. TANK
728363	1	SUCTION TUBE ASSY.L=72"
833770	1	TOP SUCTION KIT 300/500
927205	1	HOSE R X CLEAR X 3/4 X 0012"
978403	1	DECAL COMPANY 280 X 450
28030103	1	CLAMP HOSE GEAR P5/4-S1.5"6724
92702403	1	HOSE PVC SUCT GRAY 1"



727890 - 650 GAL



FOR CONNECTING HOSE
FITTINGS, SEE SECTION H

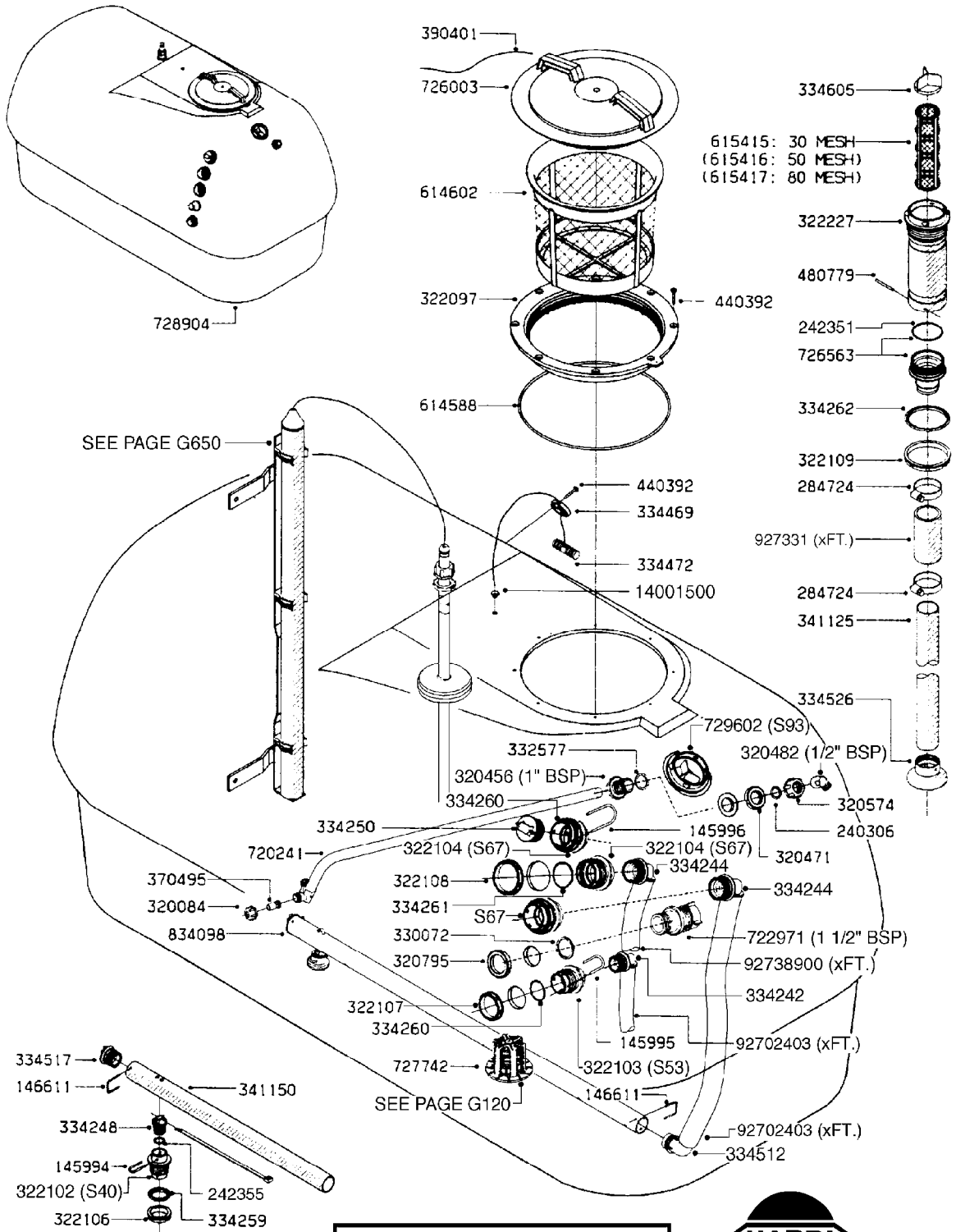
E330



TANK HC650/650M/650TWIN PRE95
E330-HIN, 20:05:11

Page 1
Date 19.03.2013 9:50

parts-n°	order qty	description
145994	1	FITT.DK S-40 FORK
145995	1	FITT.DK S-53 FORK
145996	1	FITT.DK S-67 FORK
146611	1	CLAMP D3/32-37MM
240306	1	O-RING D29/D21X4
241006	1	O-RING D79,2X5,7 NITRIL
241017	1	O-RING D74,5X3 NITRIL
241993	1	O-RING 74.5 X 3MM VIT/241017
242355	1	O-RING D19.2X3.0 VITON F.S-40
320084	1	FITT.DK NUT 1/2" BSP
320456	1	FITT.DK BULKHEAD 1"BSP DOUBLE
320471	1	FITT.DK NUT 1" BSP JAMB
320482	1	FITT.DK ELB. 1/2" BSP 60 DEG.
320574	1	FITT.DK NUT 1" BSP SPECIAL
320795	1	FITT.DK NUT 1-1/2" BSP JAMB
321311	1	FILTER BODY S 80 X 4
321322	1	SCREW CAP F. S80 X 4
322097	1	THREADED RING F. LID
322102	1	FITT.DK S-40 BULKHEAD
322103	1	FITT.DK S-53 BULKHEAD
322104	1	FITT.DK S-67 BULKHEAD
322106	1	FITT.DK S-40 BULKHEAD NUT
322107	1	FITT.DK S-53 BULKHEAD NUT
322108	1	FITT.DK S-67 BULKHEAD NUT
330072	1	O-RING D53,5/D45,5X4
330326	1	O-RING D30/D24X2 F.1"NUT
332603	1	CAP F. SUCTION TUBE
334242	1	FITT.DK S-53 ELB.1"
334244	1	FITT.DK S-67 ELB.1-1/4"
334248	1	FITT.DK S-40 PLUG
334250	1	FITT.DK S-67 PLUG
334259	1	GASKET F. S-40 BULKHEAD
334260	1	GASKET F. S-53 BULKHEAD
334261	1	GASKET F. S-67 BULKHEAD
334469	1	CLEVIS F.CORD TOP DRAIN ASSY.
334472	1	HANDLE FOR TOP DRAIN
334512	1	FITT.DK SPEC.ELB.1-1/4"110DEG
334517	1	END CAP F. SPARGER TUBE
341150	1	SPARGE TUBE HC650
370495	1	NOZZLE INJECTOR 5066-3.0
390401	1	CORD NYLON F.LID 900MM
440333	1	SCREW 3.5 X 9.5 SS
440392	1	SCREW NO.14 1"
614588	1	SEAL F. LID
614602	1	FILTER BASKET
615575	1	FILTER F.TOP SUCT.30 MESH GRN.
615576	1	FILTER F.TOP SUCT.50 MESH BLUE
720241	1	AGITATION TUBE CPL HC/TA 650M
722971	1	SAFETY VALVE SCF 217PSI(15BAR)
726003	1	LID F. TANK
727742	1	TOP DRAIN CORD TYPE
727890	1	TANK ASSY.COMP HC650
728363	1	SUCTION TUBE ASSY.L=72"
833770	1	TOP SUCTION KIT 300/500
978403	1	DECAL COMPANY 280 X 450
14001500	1	GROMMET F.TOP DRAIN CORD
28030103	1	CLAMP HOSE GEAR P5/4-S1.5"6724
92702403	1	HOSE PVC SUCT GRAY 1"
92738900	1	HOSE R X PVC X 1-1/4" 0012"



SEE PAGE G650

SEE PAGE G120

E340

FOR CONNECTING HOSE
FITTINGS, SEE SECTION H



978403



TANK HC650M 650 TWIN (POST 95)
E340-HIN, 18:05:11

Page 1
Date 19.03.2013 9:50

parts-n°	order qty	description
145994	1	FITT.DK S-40 FORK
145995	1	FITT.DK S-53 FORK
145996	1	FITT.DK S-67 FORK
146611	1	CLAMP D3/32-37MM
240306	1	O-RING D29/D21X4
242351	1	O-RING D69.5X3.0 VITON F.S-93
242355	1	O-RING D19.2X3.0 VITON F.S-40
284724	1	CLAMP HOSE GEAR D52-70
320084	1	FITT.DK NUT 1/2" BSP
320456	1	FITT.DK BULKHEAD 1"BSP DOUBLE
320471	1	FITT.DK NUT 1" BSP JAMB
320482	1	FITT.DK ELB. 1/2" BSP 60 DEG.
320574	1	FITT.DK NUT 1" BSP SPECIAL
320795	1	FITT.DK NUT 1-1/2" BSP JAMB
322097	1	THREADED RING F. LID
322102	1	FITT.DK S-40 BULKHEAD
322103	1	FITT.DK S-53 BULKHEAD
322104	1	FITT.DK S-67 BULKHEAD
322106	1	FITT.DK S-40 BULKHEAD NUT
322107	1	FITT.DK S-53 BULKHEAD NUT
322108	1	FITT.DK S-67 BULKHEAD NUT
322109	1	FITT.DK S-93 BULKHEAD NUT
322227	1	HOUSING F.FILTER S-93 2"
330072	1	O-RING D53,5/D45,5X4
332577	1	O-RING D38/D30X4 F.1" PUR.
334242	1	FITT.DK S-53 ELB.1"
334244	1	FITT.DK S-67 ELB.1-1/4"
334248	1	FITT.DK S-40 PLUG
334250	1	FITT.DK S-67 PLUG
334259	1	GASKET F. S-40 BULKHEAD
334260	1	GASKET F. S-53 BULKHEAD
334261	1	GASKET F. S-67 BULKHEAD
334262	1	GASKET F.S-93 BULKHEAD
334469	1	CLEVIS F.CORD TOP DRAIN ASSY.
334472	1	HANDLE FOR TOP DRAIN
334512	1	FITT.DK SPEC.ELB.1-1/4"110DEG
334517	1	END CAP F. SPARGER TUBE
334526	1	FOOT F.SUCTION TUBE 2"
334605	1	VANE F.TOP SUCTION FILTER
341125	1	DYSERØR Ø22 L=1600 U. HULLER
341150	1	SPARGE TUBE HC650
370495	1	NOZZLE INJECTOR 5066-3.0
390401	1	CORD NYLON F.LID 900MM
440392	1	SCREW NO.14 1"
480779	1	PIN D5X55 SPLIT
614588	1	SEAL F. LID
614602	1	FILTER BASKET
615415	1	FILTER ELEM.S93,30 MESH-GREEN
615416	1	FILTER ELEM.S93,50 MESH-BLUE
615417	1	FILTER ELEM.S93,80 MESH-RED
720241	1	AGITATION TUBE CPL HC/TA 650M
722971	1	SAFETY VALVE SCF 217PSI(15BAR)
726003	1	LID F. TANK
726563	1	FITT.DK S-93 STR 2" W/O-RING
727742	1	TOP DRAIN CORD TYPE
728904	1	TANK/FRAME TY/TZ/TA 2400
729602	1	TOP SUCTION KIT NAV 2"
834098	1	SPARGE TUBE ASSY CPL HC/TA650M
927331	1	HOSE R X 28 BAR X 50MM X 0012"
978403	1	DECAL COMPANY 280 X 450
14001500	1	GROMMET F.TOP DRAIN CORD

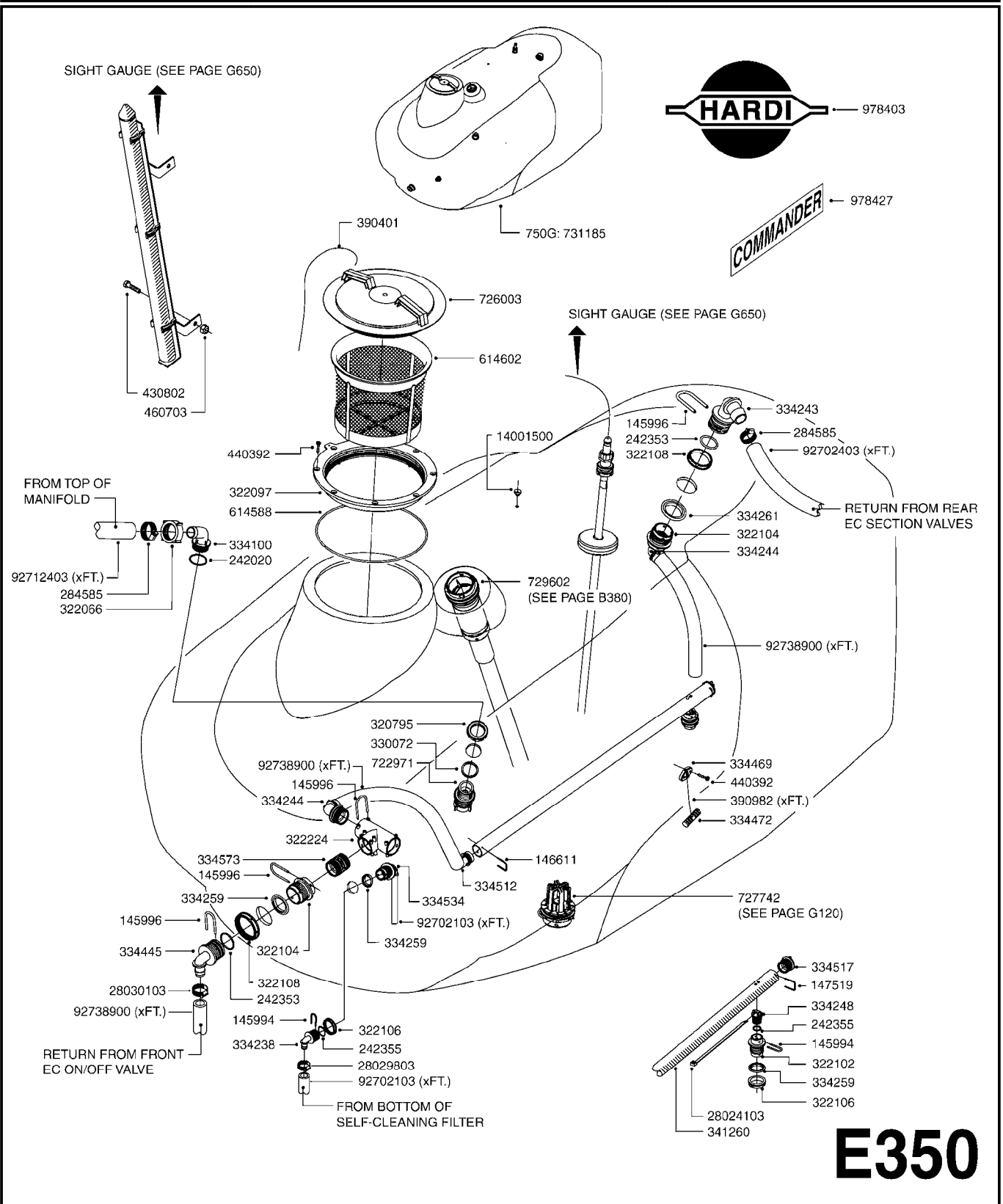


TANK HC650M 650 TWIN (POST 95)
E340-HIN, 18:05:11

Page 2

Date 19.03.2013 9:50

parts-n°	order qty	description
92702403 92738900	1 1	HOSE PVC SUCT GRAY 1" HOSE R X PVC X 1-1/4" 0012"

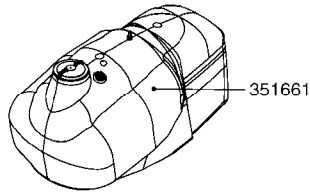




TANK - CM750
E350-HIN, 05:04:12

Page 1
Date 19.03.2013 9:50

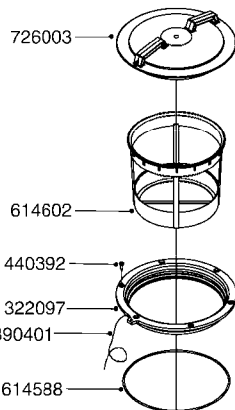
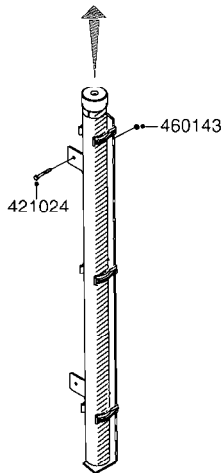
parts-n°	order qty	description
145994	1	FITT.DK S-40 FORK
145996	1	FITT.DK S-67 FORK
146611	1	CLAMP D3/32-37MM
147519	1	CLAMP D3/32 L=52MM
242020	1	O-RING 39.2 X 3 VITON
242353	1	O-RING D44.2X3.0 VITON F.S-67
242355	1	O-RING D19.2X3.0 VITON F.S-40
284585	1	CLAMP HOSE GEAR 1" MINI 020
320795	1	FITT.DK NUT 1-1/2" BSP JAMB
322066	1	FITT.DK S-56 NUT
322097	1	THREADED RING F. LID
322102	1	FITT.DK S-40 BULKHEAD
322104	1	FITT.DK S-67 BULKHEAD
322106	1	FITT.DK S-40 BULKHEAD NUT
322108	1	FITT.DK S-67 BULKHEAD NUT
322224	1	FITT.DK S-67 TEE
330072	1	O-RING D53,5/D45,5X4
334100	1	FITT.DK S-61 ELB.1" 110 DEG.
334238	1	FITT.DK S-40 ELB.1/2'
334243	1	FITT.DK S-67 ELB.1"
334244	1	FITT.DK S-67 ELB.1-1/4"
334248	1	FITT.DK S-40 PLUG
334259	1	GASKET F. S-40 BULKHEAD
334261	1	GASKET F. S-67 BULKHEAD
334445	1	FITT.DK S-67 ELB.1-1/2"
334469	1	CLEVIS F.CORD TOP DRAIN ASSY.
334472	1	HANDLE FOR TOP DRAIN
334512	1	FITT.DK SPEC.ELB.1-1/4"110DEG
334517	1	END CAP F. SPARGER TUBE
334534	1	CLAMP HOSE PLASTIC 1/2"
334573	1	FITT.DK S-67 CONNECTOR
341260	1	SPARGE TUBE COMMANDER
390401	1	CORD NYLON F.LID 900MM
390982	1	CORD NYLON 4000MM
430802	1	BOLT HEX 8.8 DEL M12X75
440392	1	SCREW NO.14 1"
460703	1	NUT HEX M12X1.75 LOCK
614588	1	SEAL F. LID
614602	1	FILTER BASKET
722971	1	SAFETY VALVE SCF 217PSI(15BAR)
726003	1	LID F. TANK
727742	1	TOP DRAIN CORD TYPE
729602	1	TOP SUCTION KIT NAV 2"
731185	1	TANK ASSY COMPLETE CM750
978403	1	DECAL COMPANY 280 X 450
978427	1	DECAL COMMANDER 125 X 600MM
14001500	1	GROMMET F.TOP DRAIN CORD
28024103	1	TIE STRAP L=8" x W=3/16"
28029803	1	CLAMP HOSE GEAR P1/2" 6708
28030103	1	CLAMP HOSE GEAR P5/4-S1.5"6724
92702103	1	HOSE R X1/2" X300PSI WP X0012"
92702403	1	HOSE PVC SUCT GRAY 1"
92712403	1	HOSE R X1" X300PSI WP X0012"
92738900	1	HOSE R X PVC X 1-1/4" 0012"



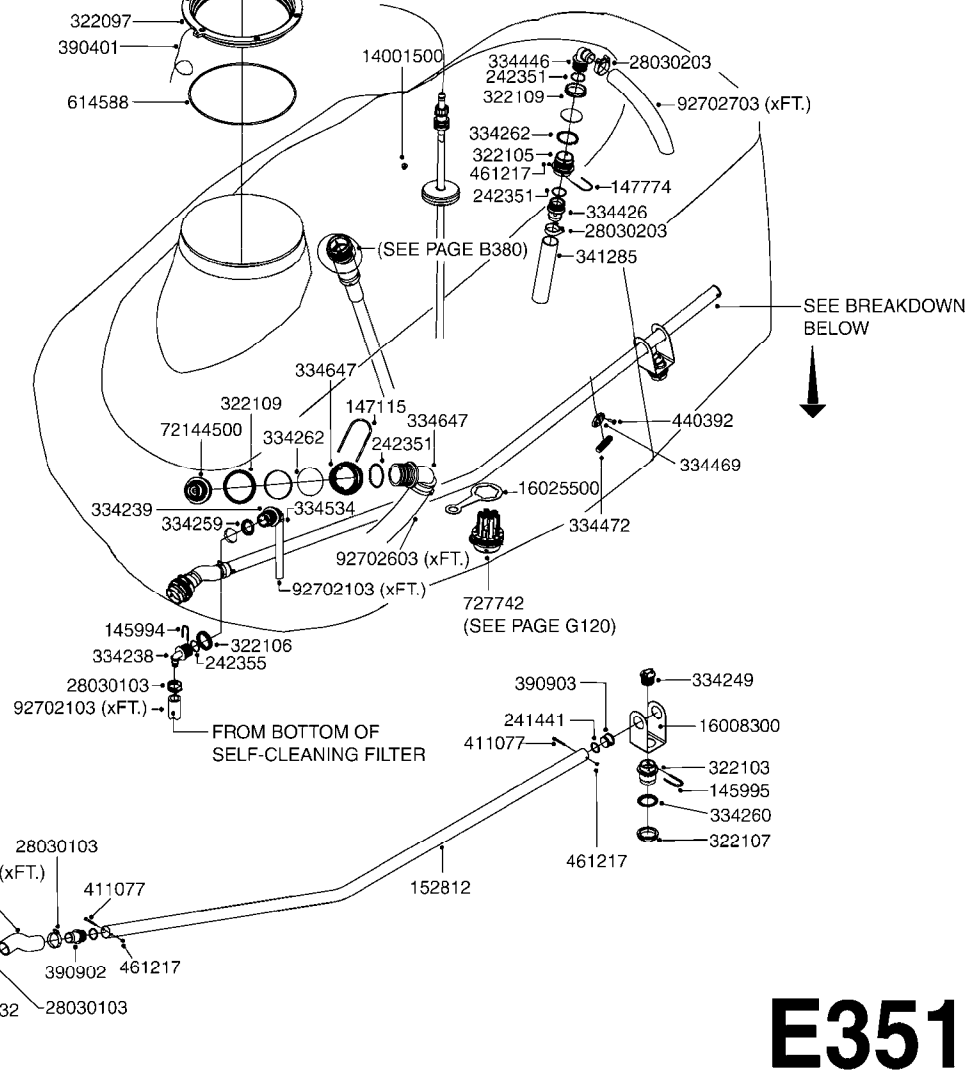
plus 978066



SIGHT GAUGE (SEE PAGE G650)



SIGHT GAUGE (SEE PAGE G650)



SEE BREAKDOWN BELOW

E351



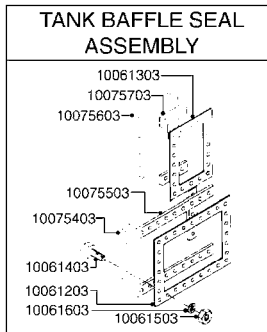
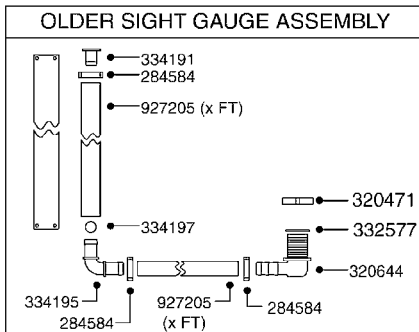
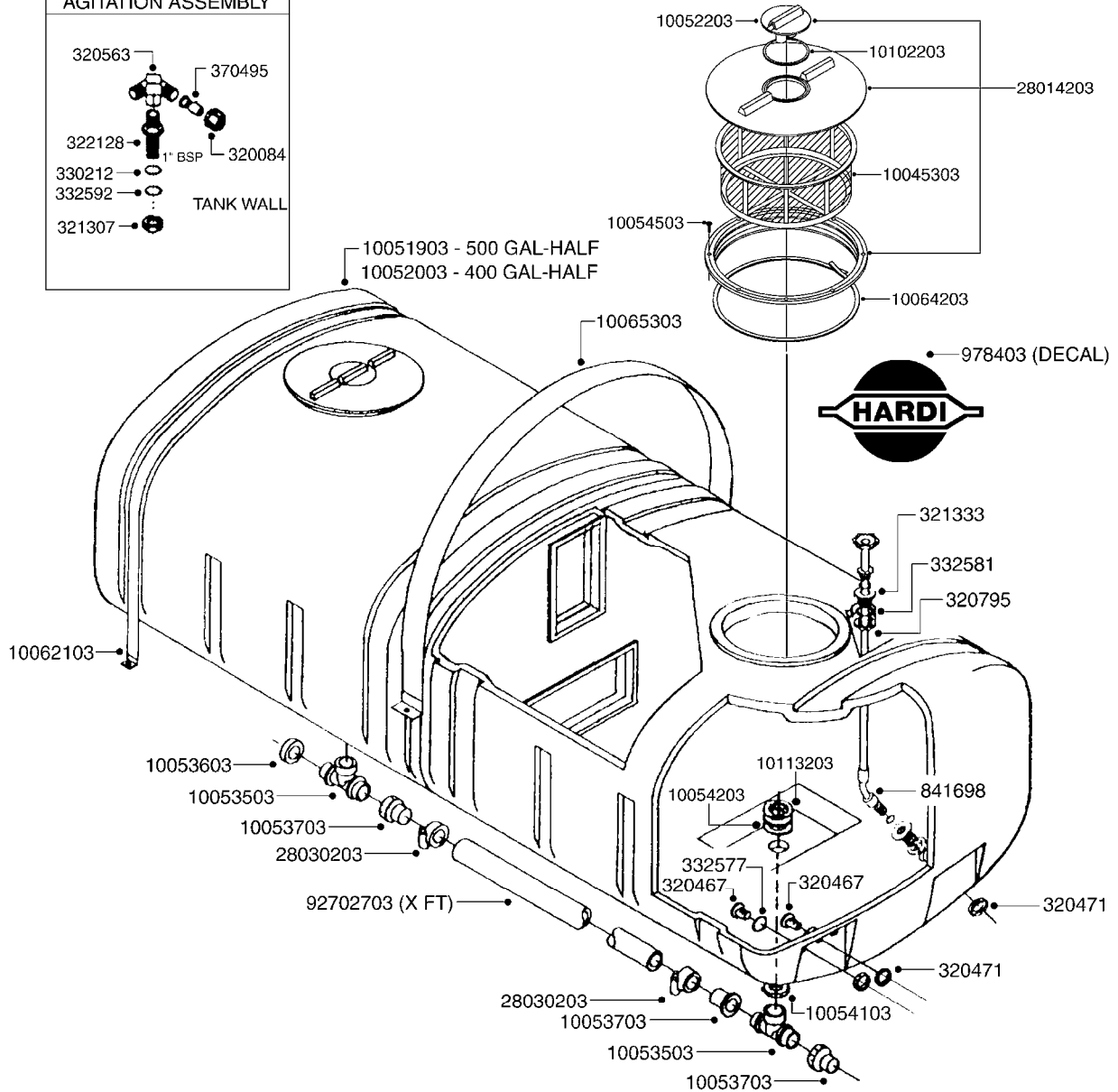
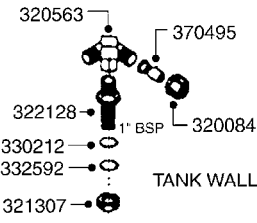
TANK - CM+750
E351-HIN, 05:05:11

Page 1
Date 19.03.2013 9:50

parts-n°	order qty	description
145994	1	FITT.DK S-40 FORK
145995	1	FITT.DK S-53 FORK
145996	1	FITT.DK S-67 FORK
147115	1	FITT.DK S-93 FORK SPECIAL
147774	1	FITT.DK S-93 FORK W. M5 THREAD
152812	1	SPARGE TUBE CM750+
241441	1	O-RING D29.3X3
242351	1	O-RING D69.5X3.0 VITON F.S-93
242355	1	O-RING D19.2X3.0 VITON F.S-40
322097	1	THREADED RING F. LID
322103	1	FITT.DK S-53 BULKHEAD
322104	1	FITT.DK S-67 BULKHEAD
322105	1	FITT.DK S-93 BULKHEAD DOUBLE
322106	1	FITT.DK S-40 BULKHEAD NUT
322107	1	FITT.DK S-53 BULKHEAD NUT
322108	1	FITT.DK S-67 BULKHEAD NUT
322109	1	FITT.DK S-93 BULKHEAD NUT
334232	1	FITT.DK S-67 STR.1-1/4'
334238	1	FITT.DK S-40 ELB.1/2'
334239	1	FITT.DK S-53 ELB.1/2"
334249	1	FITT.DK S-53 PLUG
334259	1	GASKET F. S-40 BULKHEAD
334260	1	GASKET F. S-53 BULKHEAD
334262	1	GASKET F.S-93 BULKHEAD
334426	1	FITT.DK S-93 STR.2'
334446	1	FITT.DK S-93 ELB. 2' RUBBER
334469	1	CLEVIS F.CORD TOP DRAIN ASSY.
334472	1	HANDLE FOR TOP DRAIN
334534	1	CLAMP HOSE PLASTIC 1/2"
334647	1	FITT.DK S93 ELB 1-1/2" 90 PVC
341285	1	TUBE Ø57/Ø52 L=1500 YELLOW PE
351661	1	TANK RAW CM+ 750
390401	1	CORD NYLON F.LID 900MM
390902	1	SPARGE TUBE FITT FRONT CM 1200
390903	1	CAP SPARGE TUBE CM 1200
411077	1	SCREW M5X45 STAINLESS
421024	1	BOLT HEX 8.8 DEL M8X60
440392	1	SCREW NO.14 1"
460143	1	NUT HEX M8 LOCK
461217	1	NUT HEX M5 LOCK
614588	1	SEAL F. LID
614602	1	FILTER BASKET
726003	1	LID F. TANK
727742	1	TOP DRAIN CORD TYPE
978066	1	DECAL PLUS
978403	1	DECAL COMPANY 280 X 450
978427	1	DECAL COMMANDER 125 X 600MM
14001500	1	GROMMET F.TOP DRAIN CORD
16008300	1	BRACKET SPARGE TUBE CM1200+
16025500	1	TANK SPACER SIGHT GAUGE
28030103	1	CLAMP HOSE GEAR P5/4-S1.5"6724
28030203	1	CLAMP HOSE T-BOLT S2" 235-67
72144500	1	SAFETY VALVE 15 BAR S93
92702103	1	HOSE R X1/2" X300PSI WP X0012"
92702603	1	HOSE PVC SUCT GRAY 1-1/2"
92702703	1	HOSE PVC SUCT GRAY 2"
92734403	1	HOSE R X5/4" X200PSI WP X0012"



AGITATION ASSEMBLY



For Drain Assy.
See Page G140

**FOR CONNECTING HOSE
FITTINGS, SEE SECTION H**

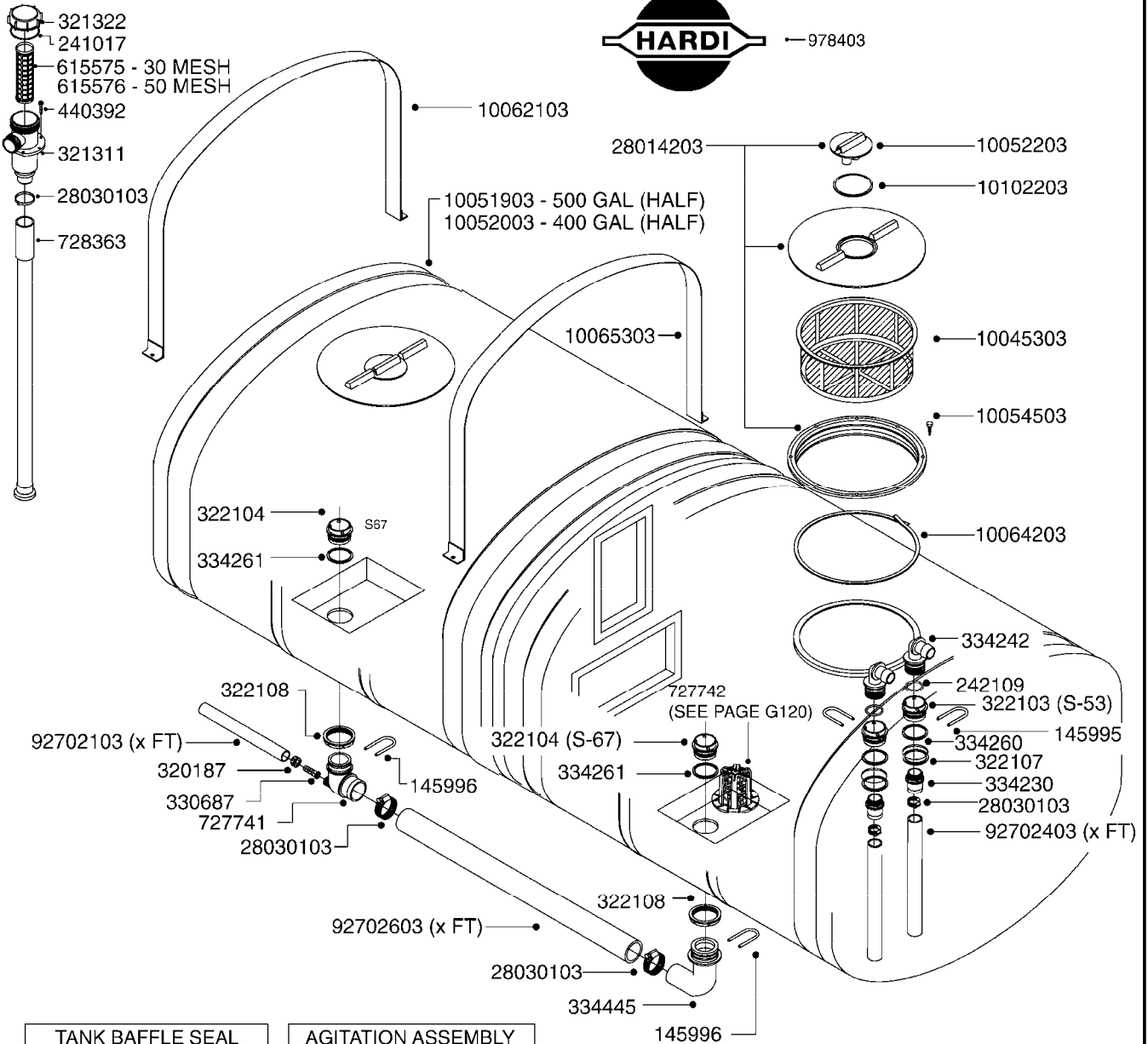
E360



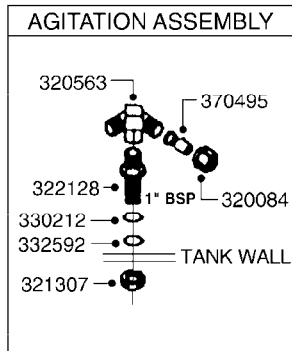
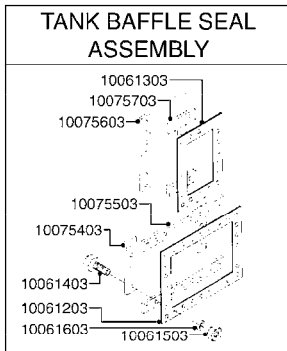
TANK - 800/1000- CENTRIFUGAL
E360-HIN, 20:12:10

Page 1
Date 19.03.2013 9:50

parts-n°	order qty	description
284584	1	CLAMP HOSE GEAR 3/4" MINI 012
320084	1	FITT.DK NUT 1/2" BSP
320467	1	FITT.DK BULKHEAD 1"BSP SINGLE
320471	1	FITT.DK NUT 1" BSP JAMB
320563	1	FITT.DK 3 WAY 1/2" 110 DEG.
320644	1	FITT.DK ELB.3/4"HB X 1" BSP
320795	1	FITT.DK NUT 1-1/2" BSP JAMB
321307	1	FITT.DK NUT 1/2" BSP JAMB
321333	1	FITT.DK BULK 1-1/2" X 1"F BSP
322128	1	NIPPLE 1/2"
330212	1	O-RING D19/D14X2.4 F.1/2"NUT
332577	1	O-RING D38/D30X4 F.1" PUR.
332581	1	GASKET F. 1-1/2" BSP CAPNUT.
332592	1	O-RING D26/D20X3
334191	1	PLUG F. LIQUID TUBE
334195	1	FITT.DK ELB. 3/4"HB X 3/4"HB
334197	1	BALL F. LIQUID LEV. INDICATOR
370495	1	NOZZLE INJECTOR 5066-3.0
841698	1	DRAIN PLUG
927205	1	HOSE R X CLEAR X 3/4 X 0012"
978403	1	DECAL COMPANY 280 X 450
10045303	1	FILTER BASKET 16"
10051903	1	TANK RAW HALF 500 GAL.
10052003	1	TANK RAW HALF 400 GAL.
10052203	1	LID VENT ASSY
10053503	1	FITT.PO.TEE 2"MX2"FX2"M BSP
10053603	1	FITT. CAPNUT 2"BSP 5601
10053703	1	FITT.PO.HB STR. 2"BSP A4411
10054103	1	FITT.PO.NUT 2" BSP JAMB MCPHEE
10054203	1	GASKET F. 2" FITTINGS RUBBER
10054503	1	SCREW 3/4" SELF TAPPING
10061203	1	GASKET 1/8" EPDM RUBBER LRGE.
10061303	1	GASKET 1/8" EPDM RUBBER SMALL
10061403	1	BOLT HEX 1/2 NC GR.SS 2.25"
10061503	1	NUT HEX NC 1/2" STAINLESS
10061603	1	WASHER LOCK 1/2" STAINLESS
10062103	1	STRAP F. NAV M TNK 1000 110"LG
10064203	1	SET SEALING SPONGE RUBBER
10065303	1	STRAP W/M F.TANK METAL 4"
10075403	1	PLATE - 5 BOLT ALU.
10075503	1	PLATE - 9 BOLT ALU.
10075603	1	PLATE - 7 BOLT ALU.
10075703	1	PLATE - 3 BOLT ALU.
10102203	1	GASKET F.16" LID BREATHER
10113203	1	BULK HEAD FITTING 2'
28014203	1	LID ASSY. (3-PC.) 16" ARAG
28030203	1	CLAMP HOSE T-BOLT S2" 235-67
92702703	1	HOSE PVC SUCT GRAY 2"



978403



FOR CONNECTING HOSE FITTINGS, SEE SECTION H

E370

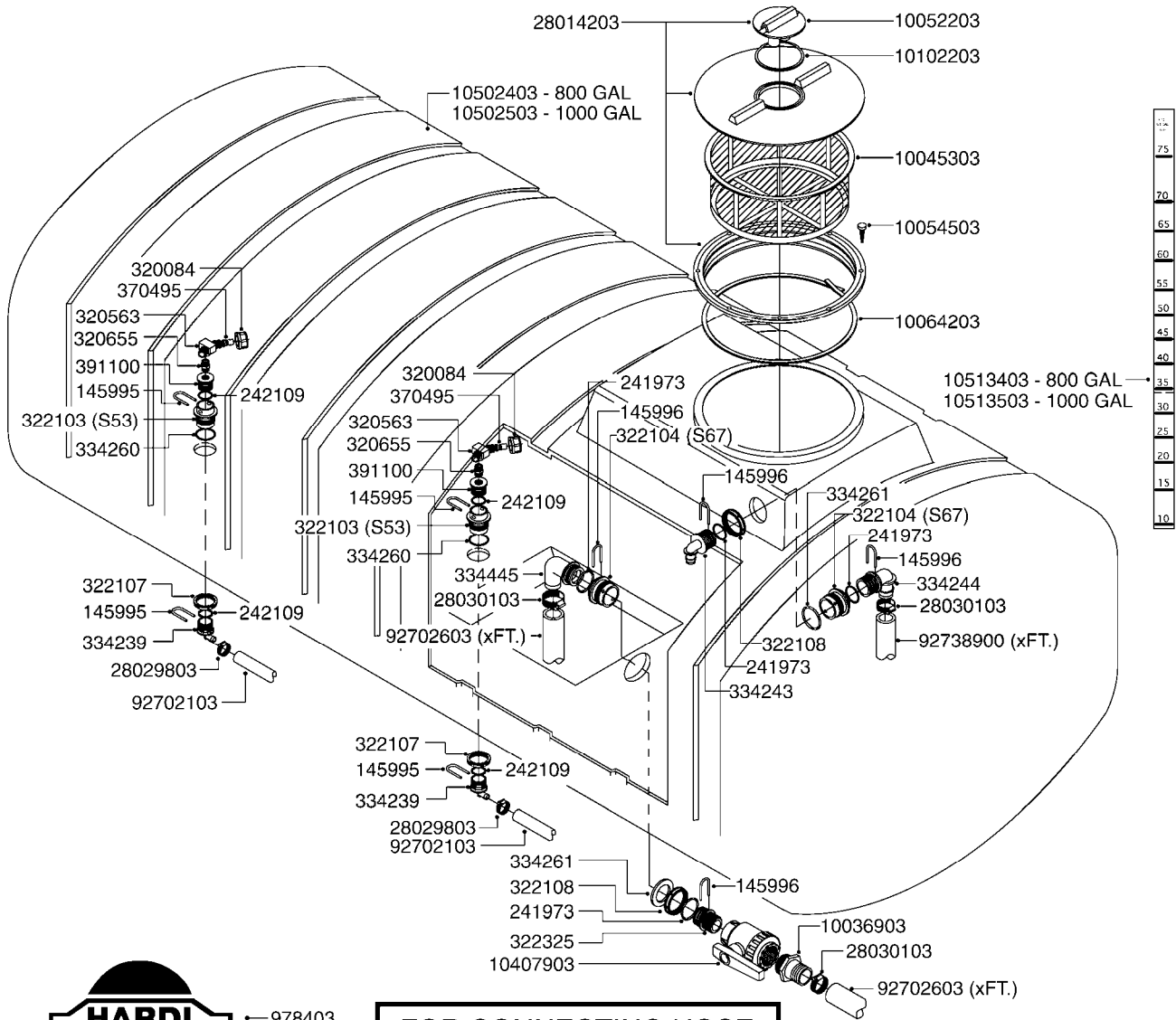


TANK - TR 800/1000- DIAPHRAGM
E370-HIN, 07:12:09

Page 1

Date 19.03.2013 9:50

parts-n°	order qty	description
145995	1	FITT.DK S-53 FORK
145996	1	FITT.DK S-67 FORK
241017	1	O-RING D74,5X3 NITRIL
242109	1	O-RING D32.2x3.0 (USE 242354)
320084	1	FITT.DK NUT 1/2" BSP
320187	1	FITT.DK CAP 3/8" BSP BLACK
320563	1	FITT.DK 3 WAY 1/2" 110 DEG.
321307	1	FITT.DK NUT 1/2" BSP JAMB
321311	1	FILTER BODY S 80 X 4
321322	1	SCREW CAP F. S80 X 4
322103	1	FITT.DK S-53 BULKHEAD
322104	1	FITT.DK S-67 BULKHEAD
322107	1	FITT.DK S-53 BULKHEAD NUT
322108	1	FITT.DK S-67 BULKHEAD NUT
322128	1	NIPPLE 1/2"
330212	1	O-RING D19/D14X2.4 F.1/2"NUT
330687	1	FITT.DK HB 1/2" F. 1/2" NUT
332592	1	O-RING D26/D20X3
334230	1	FITT.DK S-53 STR.1"
334242	1	FITT.DK S-53 ELB.1"
334260	1	GASKET F. S-53 BULKHEAD
334261	1	GASKET F. S-67 BULKHEAD
334445	1	FITT.DK S-67 ELB.1-1/2"
370495	1	NOZZLE INJECTOR 5066-3.0
440392	1	SCREW NO.14 1"
615575	1	FILTER F.TOP SUCT.30 MESH GRN.
615576	1	FILTER F.TOP SUCT.50 MESH BLUE
727741	1	INJECTOR ELBOW F.800/1000 (NLA)
727742	1	TOP DRAIN CORD TYPE
728363	1	SUCTION TUBE ASSY.L=72"
978403	1	DECAL COMPANY 280 X 450
10045303	1	FILTER BASKET 16"
10051903	1	TANK RAW HALF 500 GAL.
10052003	1	TANK RAW HALF 400 GAL.
10052203	1	LID VENT ASSY
10054503	1	SCREW 3/4" SELF TAPPING
10061203	1	GASKET 1/8" EPDM RUBBER LRGE.
10061303	1	GASKET 1/8" EPDM RUBBER SMALL
10061403	1	BOLT HEX 1/2 NC GR.SS 2.25"
10061503	1	NUT HEX NC 1/2" STAINLESS
10061603	1	WASHER LOCK 1/2" STAINLESS
10062103	1	STRAP F. NAV M TNK 1000 110"LG
10064203	1	SET SEALING SPONGE RUBBER
10065303	1	STRAP W/M F.TANK METAL 4"
10075403	1	PLATE - 5 BOLT ALU.
10075503	1	PLATE - 9 BOLT ALU.
10075603	1	PLATE - 7 BOLT ALU.
10075703	1	PLATE - 3 BOLT ALU.
10102203	1	GASKET F.16" LID BREATHER
28014203	1	LID ASSY. (3-PC.) 16" ARAG
28030103	1	CLAMP HOSE GEAR P5/4-S1.5"6724
92702103	1	HOSE R X1/2" X300PSI WP X0012"
92702403	1	HOSE PVC SUCT GRAY 1"
92702603	1	HOSE PVC SUCT GRAY 1-1/2"



← 978403

FOR CONNECTING HOSE
FITTINGS, SEE SECTION H

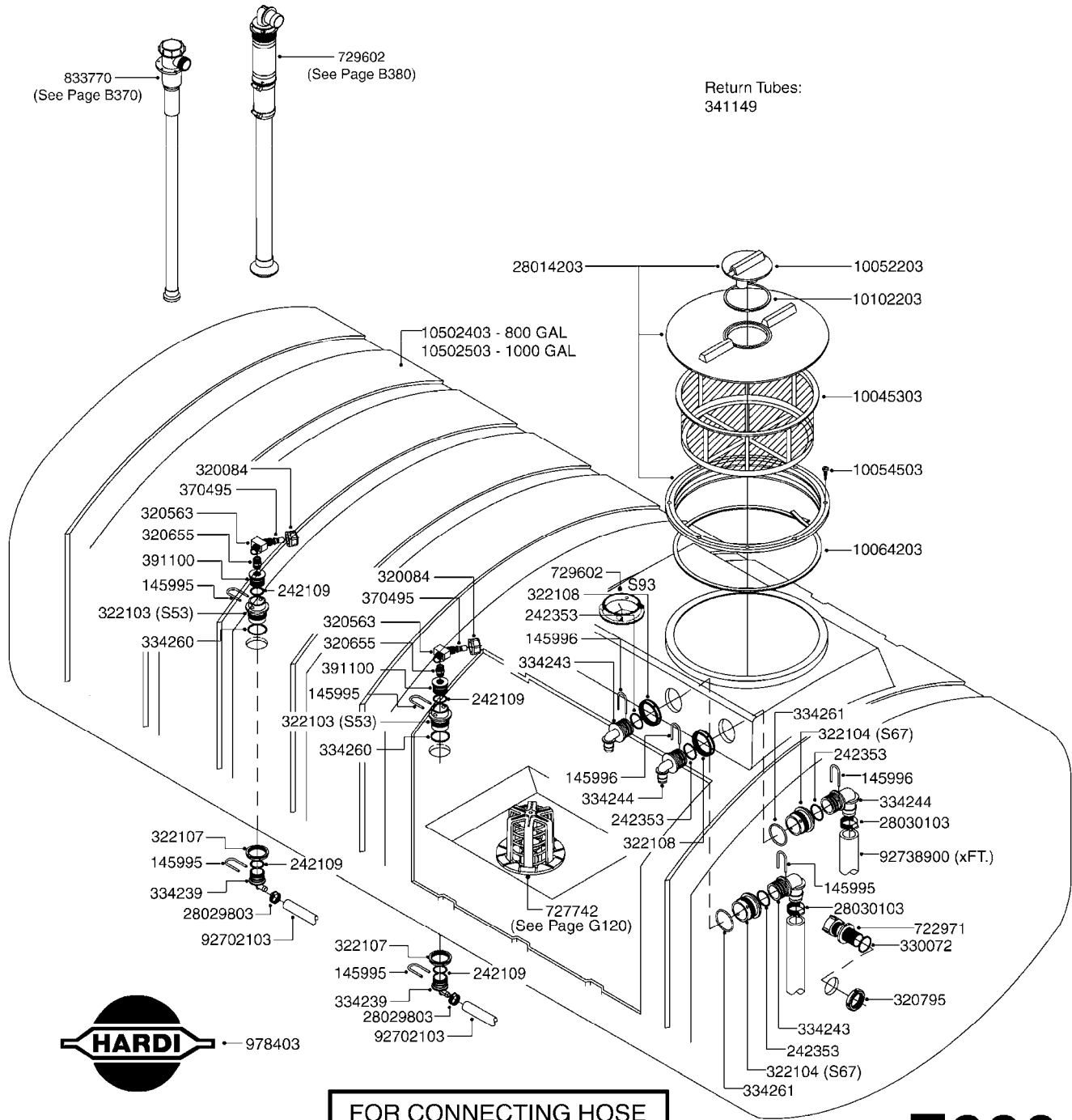
E380



TANK-800/1000 NAV&NAV M-CENT.
E380-HIN, 07:12:09

Page 1
Date 19.03.2013 9:50

parts-n°	order qty	description
145995	1	FITT.DK S-53 FORK
145996	1	FITT.DK S-67 FORK
241973	1	O-RING 44.2 x 3.0 (use-242353)
242109	1	O-RING D32.2x3.0 (USE 242354)
320084	1	FITT.DK NUT 1/2" BSP
320563	1	FITT.DK 3 WAY 1/2" 110 DEG.
320655	1	FITT.DK HN 1/2"-1/2" BSP
322103	1	FITT.DK S-53 BULKHEAD
322104	1	FITT.DK S-67 BULKHEAD
322107	1	FITT.DK S-53 BULKHEAD NUT
322108	1	FITT.DK S-67 BULKHEAD NUT
322325	1	FITT.DK S-67 X 1-1/2"BSP LONG
334239	1	FITT.DK S-53 ELB.1/2"
334243	1	FITT.DK S-67 ELB.1"
334244	1	FITT.DK S-67 ELB.1-1/4"
334260	1	GASKET F. S-53 BULKHEAD
334261	1	GASKET F. S-67 BULKHEAD
334445	1	FITT.DK S-67 ELB.1-1/2"
370495	1	NOZZLE INJECTOR 5066-3.0
391100	1	FITT.DK S-53THREAD INS.1/2"BSP
978403	1	DECAL COMPANY 280 X 450
10036903	1	FITT.PO.HB 1.50X1.50 IMB1212
10045303	1	FILTER BASKET 16"
10052203	1	LID VENT ASSY
10054503	1	SCREW 3/4" SELF TAPPING
10064203	1	SET SEALING SPONGE RUBBER
10102203	1	GASKET F.16" LID BREATHER
10407903	1	BALL VALVE 1-1/2" MCPHEE
10502403	1	TANK RAW NAV.800 GAL.
10502503	1	TANK RAW NAV.1000 GAL.
10513403	1	DECAL SCALE 800 GAL.
10513503	1	DECAL SCALE 1000 GAL
28014203	1	LID ASSY. (3-PC.) 16" ARAG
28029803	1	CLAMP HOSE GEAR P1/2" 6708
28030103	1	CLAMP HOSE GEAR P5/4-S1.5"6724
92702103	1	HOSE R X1/2" X300PSI WP X0012"
92702603	1	HOSE PVC SUCT GRAY 1-1/2"
92738900	1	HOSE R X PVC X 1-1/4" 0012"



FOR CONNECTING HOSE
FITTINGS, SEE SECTION H

E390



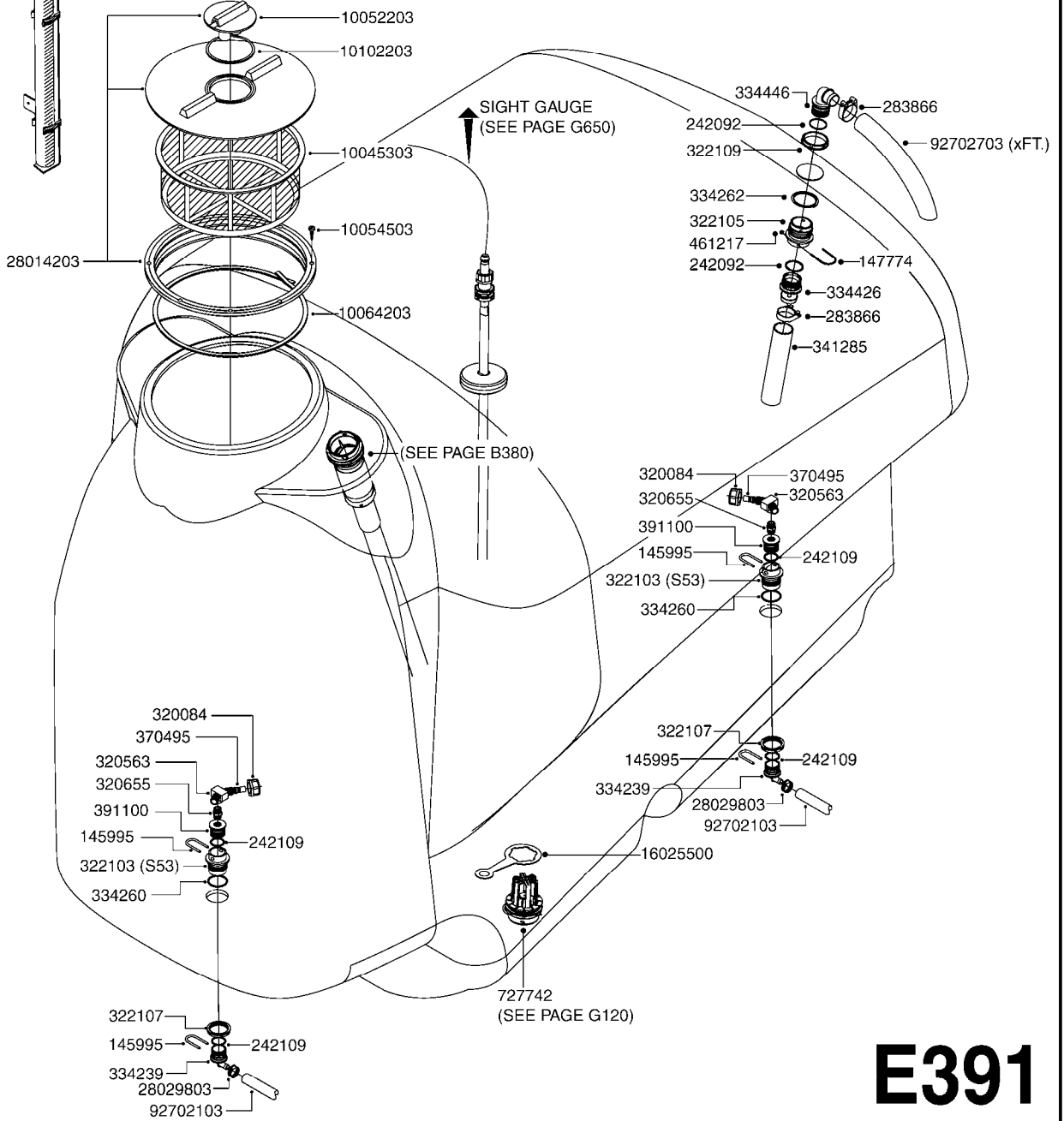
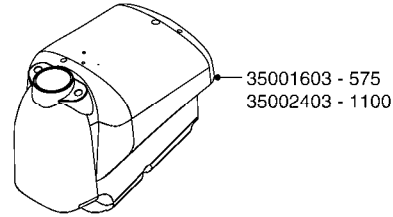
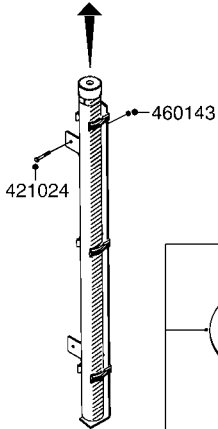
TANK-800/1000 NAV&NAV M-DIAPH.
E390-HIN, 02:12:10

Page 1
Date 19.03.2013 9:50

parts-n°	order qty	description
145995	1	FITT.DK S-53 FORK
145996	1	FITT.DK S-67 FORK
242109	1	O-RING D32.2x3.0 (USE 242354)
242353	1	O-RING D44.2X3.0 VITON F.S-67
320084	1	FITT.DK NUT 1/2" BSP
320563	1	FITT.DK 3 WAY 1/2" 110 DEG.
320655	1	FITT.DK HN 1/2"-1/2" BSP
320795	1	FITT.DK NUT 1-1/2" BSP JAMB
322103	1	FITT.DK S-53 BULKHEAD
322104	1	FITT.DK S-67 BULKHEAD
322107	1	FITT.DK S-53 BULKHEAD NUT
322108	1	FITT.DK S-67 BULKHEAD NUT
330072	1	O-RING D53,5/D45,5X4
334239	1	FITT.DK S-53 ELB.1/2"
334243	1	FITT.DK S-67 ELB.1"
334244	1	FITT.DK S-67 ELB.1-1/4"
334260	1	GASKET F. S-53 BULKHEAD
334261	1	GASKET F. S-67 BULKHEAD
341149	1	RETURN TUBE F.NAV.D40 L=2000
370495	1	NOZZLE INJECTOR 5066-3.0
391100	1	FITT.DK S-53THREAD INS.1/2"BSP
722971	1	SAFETY VALVE SCF 217PSI(15BAR)
727742	1	TOP DRAIN CORD TYPE
729602	1	TOP SUCTION KIT NAV 2"
833770	1	TOP SUCTION KIT 300/500
978403	1	DECAL COMPANY 280 X 450
10045303	1	FILTER BASKET 16"
10052203	1	LID VENT ASSY
10054503	1	SCREW 3/4" SELF TAPPING
10064203	1	SET SEALING SPONGE RUBBER
10102203	1	GASKET F.16" LID BREATHER
10502403	1	TANK RAW NAV.800 GAL.
10502503	1	TANK RAW NAV.1000 GAL.
28014203	1	LID ASSY. (3-PC.) 16" ARAG
28029803	1	CLAMP HOSE GEAR P1/2" 6708
28030103	1	CLAMP HOSE GEAR P5/4-S1.5"6724
92702103	1	HOSE R X1/2" X300PSI WP X0012"
92738900	1	HOSE R X PVC X 1-1/4" 0012"



SIGHT GAUGE (SEE PAGE G650)



E391



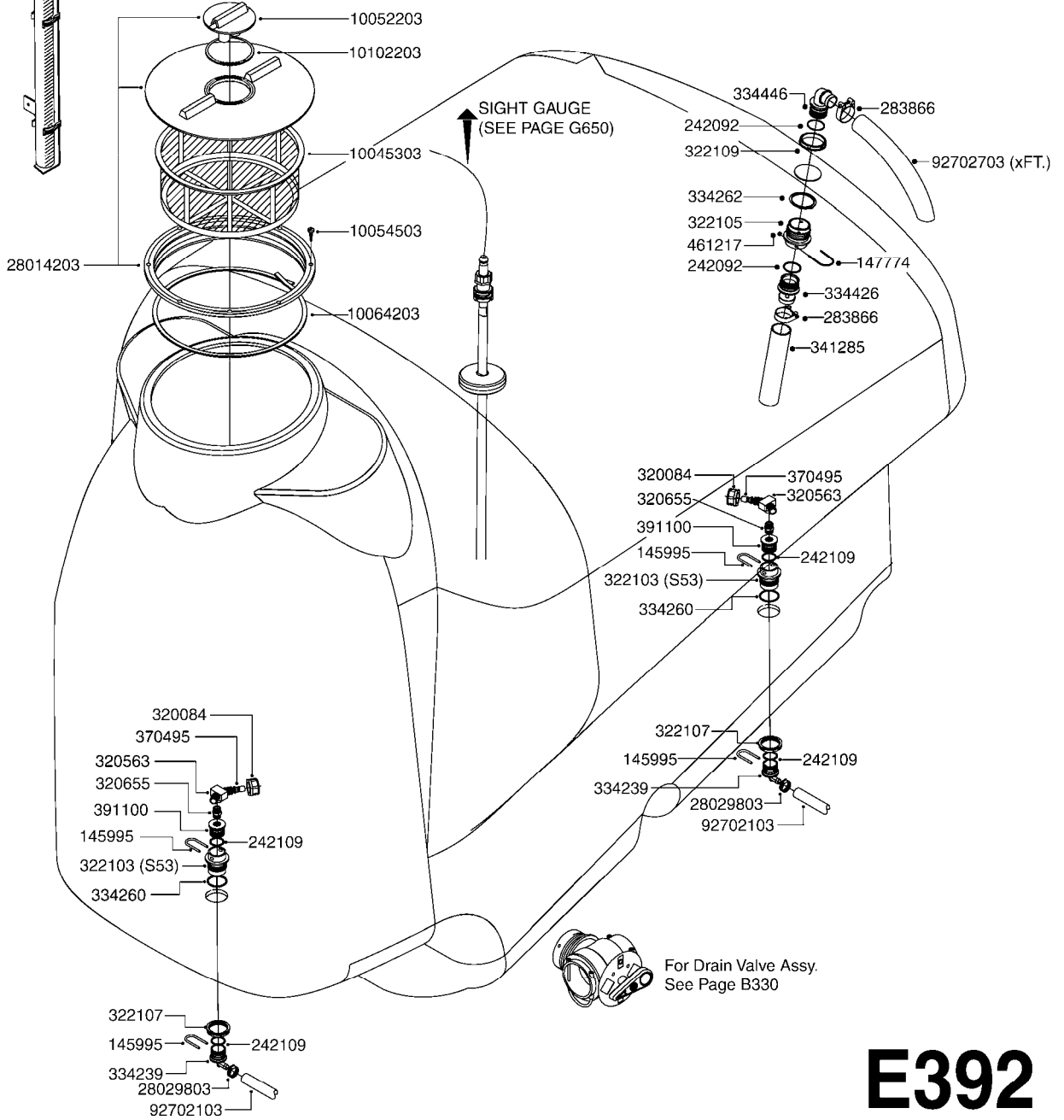
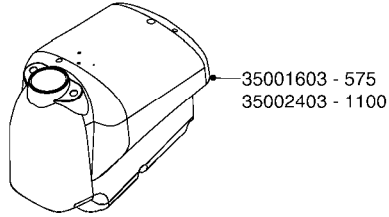
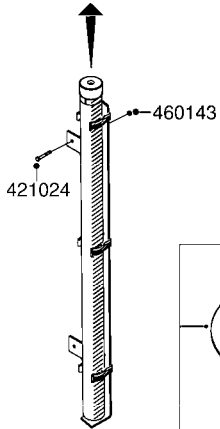
TANK - 575/1100 NEW NAV ECP
E391-HIN, 19:12:10

Page 1
Date 19.03.2013 9:50

parts-n°	order qty	description
145995	1	FITT.DK S-53 FORK
147774	1	FITT.DK S-93 FORK W. M5 THREAD
242092	1	O-RING D69.5X3 (Use-242351)
242109	1	O-RING D32.2x3.0 (USE 242354)
283866	1	CLAMP HOSE SCREW TYPE 2"DELTA
320084	1	FITT.DK NUT 1/2" BSP
320563	1	FITT.DK 3 WAY 1/2" 110 DEG.
320655	1	FITT.DK HN 1/2"-1/2" BSP
322103	1	FITT.DK S-53 BULKHEAD
322105	1	FITT.DK S-93 BULKHEAD DOUBLE
322107	1	FITT.DK S-53 BULKHEAD NUT
322109	1	FITT.DK S-93 BULKHEAD NUT
334239	1	FITT.DK S-53 ELB.1/2"
334260	1	GASKET F. S-53 BULKHEAD
334262	1	GASKET F.S-93 BULKHEAD
334426	1	FITT.DK S-93 STR.2'
334446	1	FITT.DK S-93 ELB. 2' RUBBER
341285	1	TUBE Ø57/Ø52 L=1500 YELLOW PE
370495	1	NOZZLE INJECTOR 5066-3.0
391100	1	FITT.DK S-53THREAD INS.1/2"BSP
421024	1	BOLT HEX 8.8 DEL M8X60
460143	1	NUT HEX M8 LOCK
461217	1	NUT HEX M5 LOCK
727742	1	TOP DRAIN CORD TYPE
10045303	1	FILTER BASKET 16"
10052203	1	LID VENT ASSY
10054503	1	SCREW 3/4" SELF TAPPING
10064203	1	SET SEALING SPONGE RUBBER
10102203	1	GASKET F.16" LID BREATHER
16025500	1	TANK SPACER SIGHT GAUGE
28014203	1	LID ASSY. (3-PC.) 16" ARAG
28029803	1	CLAMP HOSE GEAR P1/2" 6708
35001603	1	TANK RAW 575 GAL. NAV.
35002403	1	TANK RAW 1100 GAL. NAV.
92702103	1	HOSE R X1/2" X300PSI WP X0012"
92702703	1	HOSE PVC SUCT GRAY 2"



SIGHT GAUGE (SEE PAGE G650)



E392



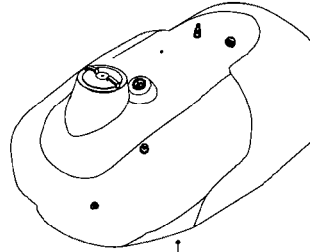
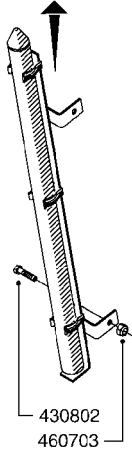
TANK - 575/1100 NEW NAV ECPC
E392-HIN, 19:12:10

Page 1
Date 19.03.2013 9:50

parts-n°	order qty	description
145995	1	FITT.DK S-53 FORK
147774	1	FITT.DK S-93 FORK W. M5 THREAD
242092	1	O-RING D69.5X3 (Use-242351)
242109	1	O-RING D32.2x3.0 (USE 242354)
283866	1	CLAMP HOSE SCREW TYPE 2"DELTA
320084	1	FITT.DK NUT 1/2" BSP
320563	1	FITT.DK 3 WAY 1/2" 110 DEG.
320655	1	FITT.DK HN 1/2"-1/2" BSP
322103	1	FITT.DK S-53 BULKHEAD
322105	1	FITT.DK S-93 BULKHEAD DOUBLE
322107	1	FITT.DK S-53 BULKHEAD NUT
322109	1	FITT.DK S-93 BULKHEAD NUT
334239	1	FITT.DK S-53 ELB.1/2"
334260	1	GASKET F. S-53 BULKHEAD
334262	1	GASKET F.S-93 BULKHEAD
334426	1	FITT.DK S-93 STR.2'
334446	1	FITT.DK S-93 ELB. 2' RUBBER
341285	1	TUBE Ø57/Ø52 L=1500 YELLOW PE
370495	1	NOZZLE INJECTOR 5066-3.0
391100	1	FITT.DK S-53THREAD INS.1/2"BSP
421024	1	BOLT HEX 8.8 DEL M8X60
460143	1	NUT HEX M8 LOCK
461217	1	NUT HEX M5 LOCK
10045303	1	FILTER BASKET 16"
10052203	1	LID VENT ASSY
10054503	1	SCREW 3/4" SELF TAPPING
10064203	1	SET SEALING SPONGE RUBBER
10102203	1	GASKET F.16" LID BREATHER
28014203	1	LID ASSY. (3-PC.) 16" ARAG
28029803	1	CLAMP HOSE GEAR P1/2" 6708
35001603	1	TANK RAW 575 GAL. NAV.
35002403	1	TANK RAW 1100 GAL. NAV.
92702103	1	HOSE R X1/2" X300PSI WP X0012"
92702703	1	HOSE PVC SUCT GRAY 2"



SIGHT GAUGE (SEE PAGE G650)

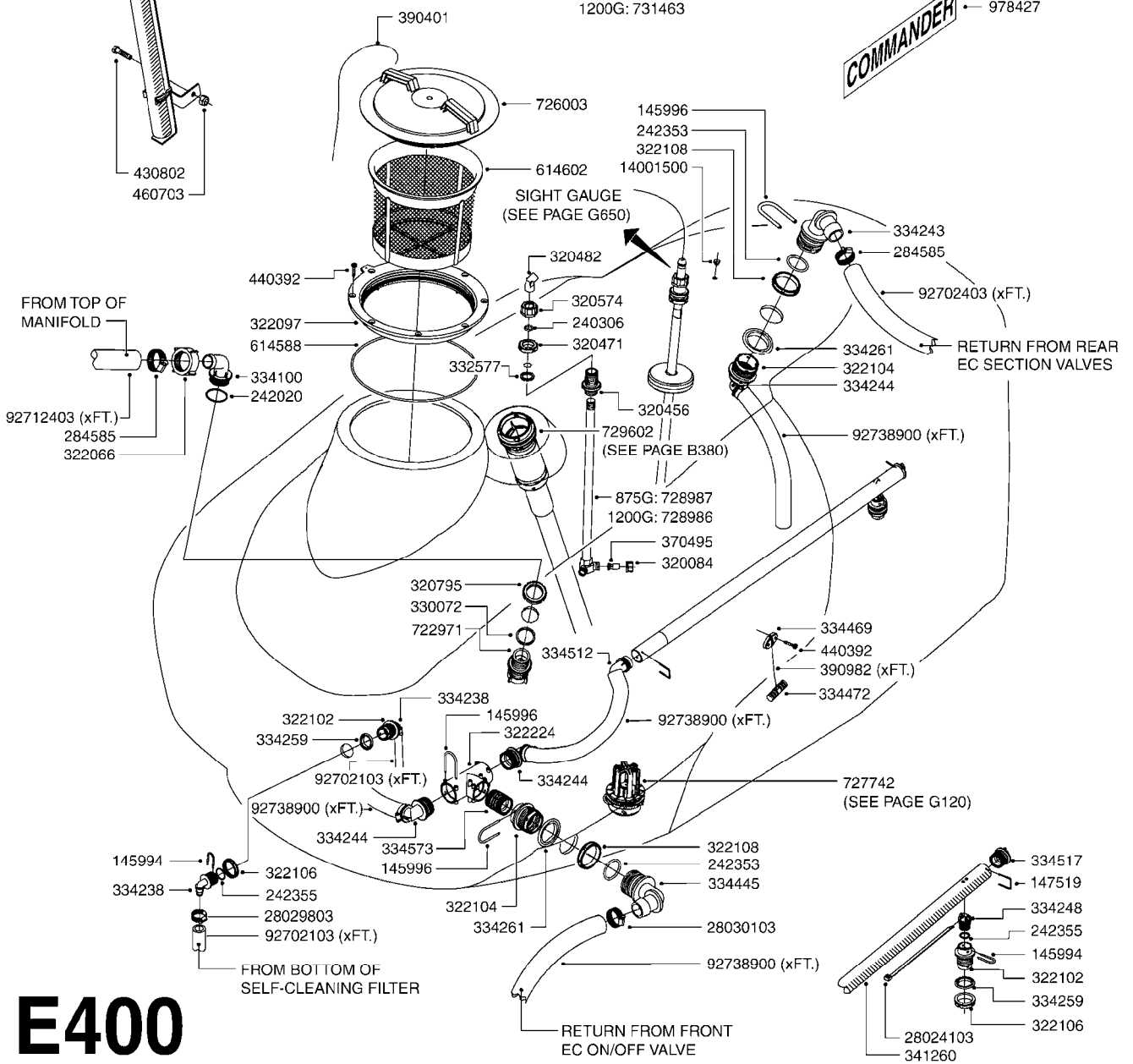


978403

875G: 731457
1200G: 731463



978427



E400



TANK - CM 875/1200
E400-HIN, 05:04:12

Page 1
Date 19.03.2013 9:50

parts-n°	order qty	description
145994	1	FITT.DK S-40 FORK
145996	1	FITT.DK S-67 FORK
147519	1	CLAMP D3/32 L=52MM
240306	1	O-RING D29/D21X4
242020	1	O-RING 39.2 X 3 VITON
242353	1	O-RING D44.2X3.0 VITON F.S-67
242355	1	O-RING D19.2X3.0 VITON F.S-40
284585	1	CLAMP HOSE GEAR 1" MINI 020
320084	1	FITT.DK NUT 1/2" BSP
320456	1	FITT.DK BULKHEAD 1"BSP DOUBLE
320471	1	FITT.DK NUT 1" BSP JAMB
320482	1	FITT.DK ELB. 1/2" BSP 60 DEG.
320574	1	FITT.DK NUT 1" BSP SPECIAL
320795	1	FITT.DK NUT 1-1/2" BSP JAMB
322066	1	FITT.DK S-56 NUT
322097	1	THREADED RING F. LID
322102	1	FITT.DK S-40 BULKHEAD
322104	1	FITT.DK S-67 BULKHEAD
322106	1	FITT.DK S-40 BULKHEAD NUT
322108	1	FITT.DK S-67 BULKHEAD NUT
322224	1	FITT.DK S-67 TEE
330072	1	O-RING D53,5/D45,5X4
332577	1	O-RING D38/D30X4 F.1" PUR.
334100	1	FITT.DK S-61 ELB.1" 110 DEG.
334238	1	FITT.DK S-40 ELB.1/2"
334243	1	FITT.DK S-67 ELB.1"
334244	1	FITT.DK S-67 ELB.1-1/4"
334248	1	FITT.DK S-40 PLUG
334259	1	GASKET F. S-40 BULKHEAD
334261	1	GASKET F. S-67 BULKHEAD
334445	1	FITT.DK S-67 ELB.1-1/2"
334469	1	CLEVIS F.CORD TOP DRAIN ASSY.
334472	1	HANDLE FOR TOP DRAIN
334512	1	FITT.DK SPEC.ELB.1-1/4"110DEG
334517	1	END CAP F. SPARGER TUBE
334573	1	FITT.DK S-67 CONNECTOR
341260	1	SPARGE TUBE COMMANDER
370495	1	NOZZLE INJECTOR 5066-3.0
390401	1	CORD NYLON F.LID 900MM
390982	1	CORD NYLON 4000MM
430802	1	BOLT HEX 8.8 DEL M12X75
440392	1	SCREW NO.14 1"
460703	1	NUT HEX M12X1.75 LOCK
614588	1	SEAL F. LID
614602	1	FILTER BASKET
722971	1	SAFETY VALVE SCF 217PSI(15BAR)
726003	1	LID F. TANK
727742	1	TOP DRAIN CORD TYPE
728986	1	AGITATION TUBE L=54.88"
728987	1	AGITATION TUBE L=47.44"
729602	1	TOP SUCTION KIT NAV 2"
731457	1	TANK ASSY COMPLETE CM875
731463	1	TANK ASSY COMPLETE CM1200
978403	1	DECAL COMPANY 280 X 450
978427	1	DECAL COMMANDER 125 X 600MM
14001500	1	GROMMET F.TOP DRAIN CORD
28024103	1	TIE STRAP L=8" x W=3/16"
28029803	1	CLAMP HOSE GEAR P1/2" 6708
28030103	1	CLAMP HOSE GEAR P5/4-S1.5"6724
92702103	1	HOSE R X1/2" X300PSI WP X0012"
92702403	1	HOSE PVC SUCT GRAY 1"

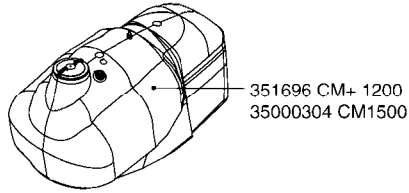


TANK - CM 875/1200
E400-HIN, 05:04:12

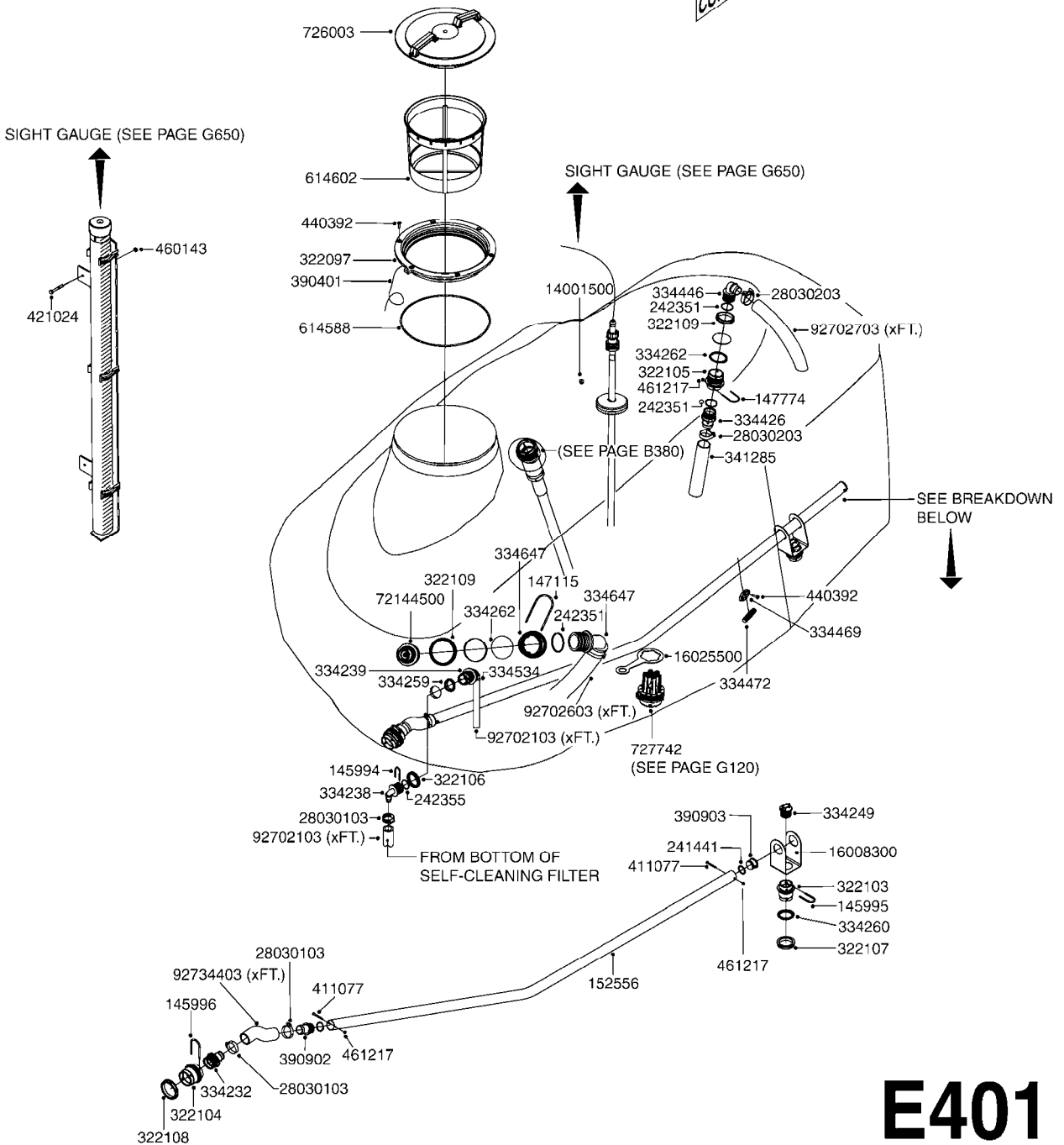
Page 2

Date 19.03.2013 9:50

parts-n°	order qty	description
92712403 92738900	1 1	HOSE R X1" X300PSI WP X0012" HOSE R X PVC X 1-1/4" 0012"



plus 978066



E401

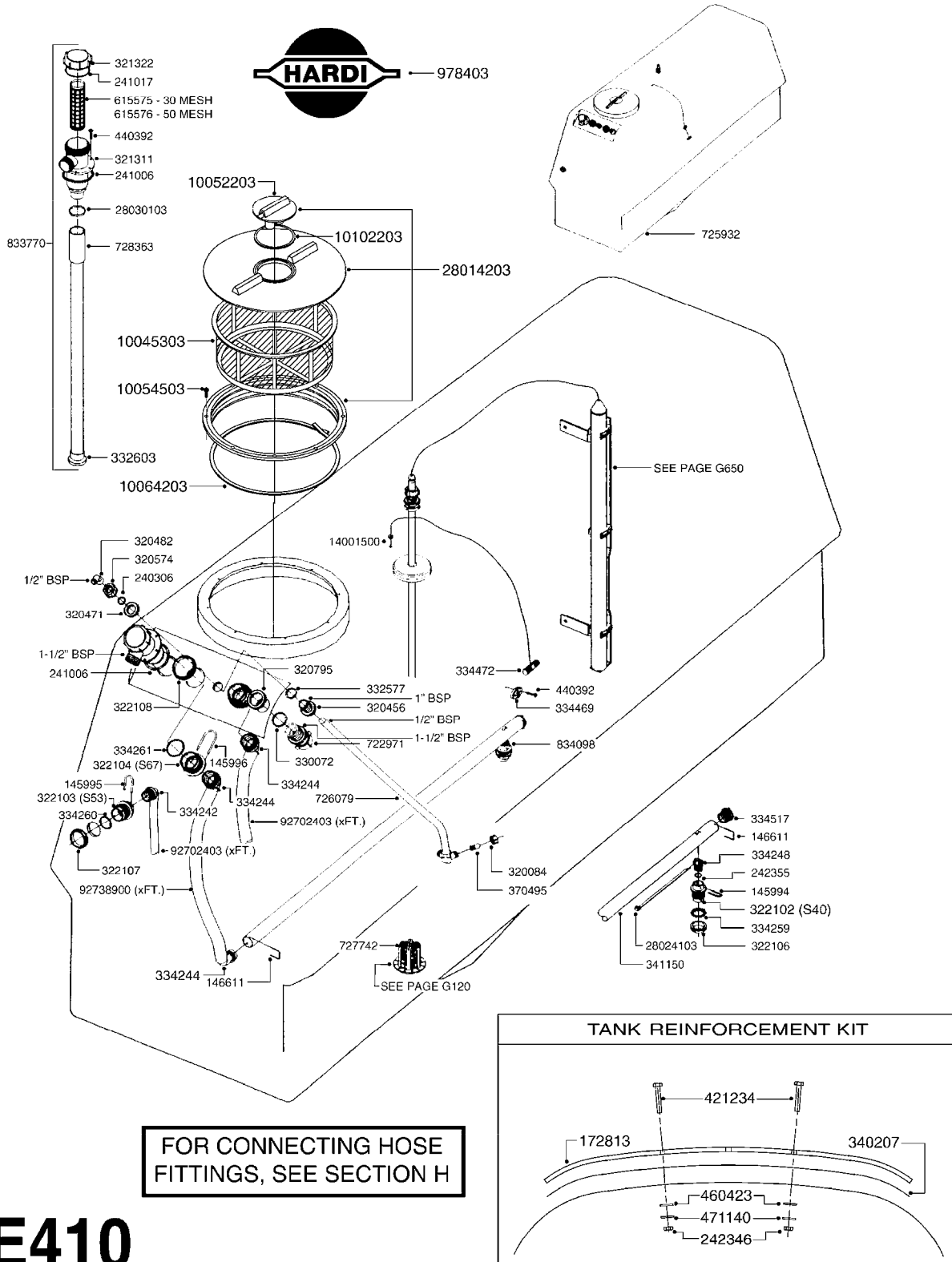


TANK - CM+1200, CM1500
E401-HIN, 05:05:11

Page 1

Date 19.03.2013 9:50

parts-n°	order qty	description
145994	1	FITT.DK S-40 FORK
145995	1	FITT.DK S-53 FORK
145996	1	FITT.DK S-67 FORK
147115	1	FITT.DK S-93 FORK SPECIAL
147774	1	FITT.DK S-93 FORK W. M5 THREAD
152556	1	SPARGE TUBE CM1200+
241441	1	O-RING D29.3X3
242351	1	O-RING D69.5X3.0 VITON F.S-93
242355	1	O-RING D19.2X3.0 VITON F.S-40
322097	1	THREADED RING F. LID
322103	1	FITT.DK S-53 BULKHEAD
322104	1	FITT.DK S-67 BULKHEAD
322105	1	FITT.DK S-93 BULKHEAD DOUBLE
322106	1	FITT.DK S-40 BULKHEAD NUT
322107	1	FITT.DK S-53 BULKHEAD NUT
322108	1	FITT.DK S-67 BULKHEAD NUT
322109	1	FITT.DK S-93 BULKHEAD NUT
334232	1	FITT.DK S-67 STR.1-1/4'
334238	1	FITT.DK S-40 ELB.1/2'
334239	1	FITT.DK S-53 ELB.1/2"
334249	1	FITT.DK S-53 PLUG
334259	1	GASKET F. S-40 BULKHEAD
334260	1	GASKET F. S-53 BULKHEAD
334262	1	GASKET F.S-93 BULKHEAD
334426	1	FITT.DK S-93 STR.2'
334446	1	FITT.DK S-93 ELB. 2' RUBBER
334469	1	CLEVIS F.CORD TOP DRAIN ASSY.
334472	1	HANDLE FOR TOP DRAIN
334534	1	CLAMP HOSE PLASTIC 1/2"
334647	1	FITT.DK S93 ELB 1-1/2" 90 PVC
341285	1	TUBE Ø57/Ø52 L=1500 YELLOW PE
351696	1	TANK RAW CM+ 1200 (4200L)
390401	1	CORD NYLON F.LID 900MM
390902	1	SPARGE TUBE FITT FRONT CM 1200
390903	1	CAP SPARGE TUBE CM 1200
411077	1	SCREW M5X45 STAINLESS
421024	1	BOLT HEX 8.8 DEL M8X60
440392	1	SCREW NO.14 1"
460143	1	NUT HEX M8 LOCK
461217	1	NUT HEX M5 LOCK
614588	1	SEAL F. LID
614602	1	FILTER BASKET
726003	1	LID F. TANK
727742	1	TOP DRAIN CORD TYPE
978066	1	DECAL PLUS
978403	1	DECAL COMPANY 280 X 450
978427	1	DECAL COMMANDER 125 X 600MM
14001500	1	GROMMET F.TOP DRAIN CORD
16008300	1	BRACKET SPARGE TUBE CM1200+
16025500	1	TANK SPACER SIGHT GAUGE
28030103	1	CLAMP HOSE GEAR P5/4-S1.5"6724
28030203	1	CLAMP HOSE T-BOLT S2" 235-67
35000304	1	TANK RAW CM1500
72144500	1	SAFETY VALVE 15 BAR S93
92702103	1	HOSE R X1/2" X300PSI WP X0012"
92702603	1	HOSE PVC SUCT GRAY 1-1/2"
92702703	1	HOSE PVC SUCT GRAY 2"
92734403	1	HOSE R X5/4" X200PSI WP X0012"



FOR CONNECTING HOSE FITTINGS, SEE SECTION H

E410



TANK - HC 950/950M (PRE 95)
E410-HIN, 05:05:11

Page 1
Date 19.03.2013 9:50

parts-n°	order qty	description
145994	1	FITT.DK S-40 FORK
145995	1	FITT.DK S-53 FORK
145996	1	FITT.DK S-67 FORK
146611	1	CLAMP D3/32-37MM
172813	1	STRAP REINFORCEMENT F.950
240306	1	O-RING D29/D21X4
241006	1	O-RING D79,2X5,7 NITRIL
241017	1	O-RING D74,5X3 NITRIL
242346	1	SEAL D30/10X3
242355	1	O-RING D19.2X3.0 VITON F.S-40
320084	1	FITT.DK NUT 1/2" BSP
320456	1	FITT.DK BULKHEAD 1"BSP DOUBLE
320471	1	FITT.DK NUT 1" BSP JAMB
320482	1	FITT.DK ELB. 1/2" BSP 60 DEG.
320574	1	FITT.DK NUT 1" BSP SPECIAL
320795	1	FITT.DK NUT 1-1/2" BSP JAMB
321311	1	FILTER BODY S 80 X 4
321322	1	SCREW CAP F. S80 X 4
322102	1	FITT.DK S-40 BULKHEAD
322103	1	FITT.DK S-53 BULKHEAD
322104	1	FITT.DK S-67 BULKHEAD
322106	1	FITT.DK S-40 BULKHEAD NUT
322107	1	FITT.DK S-53 BULKHEAD NUT
322108	1	FITT.DK S-67 BULKHEAD NUT
330072	1	O-RING D53,5/D45,5X4
332577	1	O-RING D38/D30X4 F.1" PUR.
332603	1	CAP F. SUCTION TUBE
334242	1	FITT.DK S-53 ELB.1"
334244	1	FITT.DK S-67 ELB.1-1/4"
334248	1	FITT.DK S-40 PLUG
334259	1	GASKET F. S-40 BULKHEAD
334260	1	GASKET F. S-53 BULKHEAD
334261	1	GASKET F. S-67 BULKHEAD
334469	1	CLEVIS F.CORD TOP DRAIN ASSY.
334472	1	HANDLE FOR TOP DRAIN
334517	1	END CAP F. SPARGER TUBE
340207	1	TANK STRAP PACKING 40X800
341150	1	SPARGE TUBE HC650
370495	1	NOZZLE INJECTOR 5066-3.0
421234	1	SCREW SET M10X50 STAINLESS
440392	1	SCREW NO.14 1"
460423	1	NUT HEX M10X1.5 LOCK
471140	1	WASHER D30/D10.5X2.5 STAINLESS
615575	1	FILTER F.TOP SUCT.30 MESH GRN.
615576	1	FILTER F.TOP SUCT.50 MESH BLUE
722971	1	SAFETY VALVE SCF 217PSI(15BAR)
725932	1	TANK ASSY.COMPOSITE
726079	1	AGITATION TUBE ASSY. HC950
727742	1	TOP DRAIN CORD TYPE
728363	1	SUCTION TUBE ASSY.L=72"
833770	1	TOP SUCTION KIT 300/500
834098	1	SPARGE TUBE ASSY CPL HC/TA650M
978403	1	DECAL COMPANY 280 X 450
10045303	1	FILTER BASKET 16"
10052203	1	LID VENT ASSY
10054503	1	SCREW 3/4" SELF TAPPING
10064203	1	SET SEALING SPONGE RUBBER
10102203	1	GASKET F.16" LID BREATHER
14001500	1	GROMMET F.TOP DRAIN CORD
28014203	1	LID ASSY. (3-PC.) 16" ARAG
28024103	1	TIE STRAP L=8" x W=3/16"

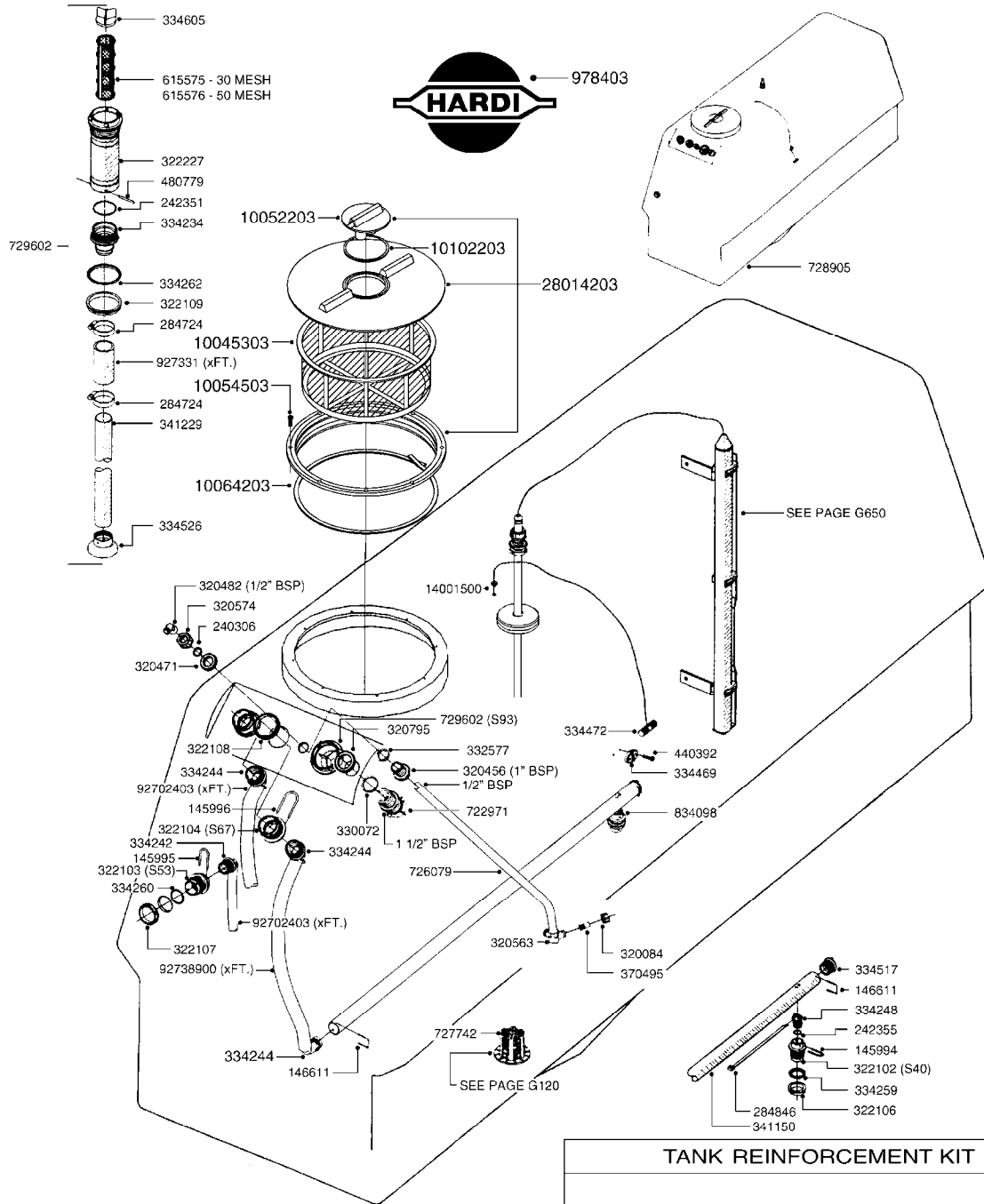


TANK - HC 950/950M (PRE 95)
E410-HIN, 05:05:11

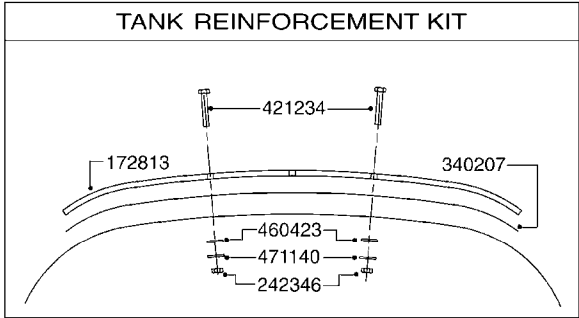
Page 2

Date 19.03.2013 9:50

parts-n°	order qty	description
28030103	1	CLAMP HOSE GEAR P5/4-S1.5"6724
92702403	1	HOSE PVC SUCT GRAY 1"
92738900	1	HOSE R X PVC X 1-1/4" 0012"



FOR CONNECTING HOSE
FITTINGS, SEE SECTION H



E420



TANK-HC 950M/950 TWIN(POST 95)
E420-HIN, 14:12:09

Page 1
Date 19.03.2013 9:51

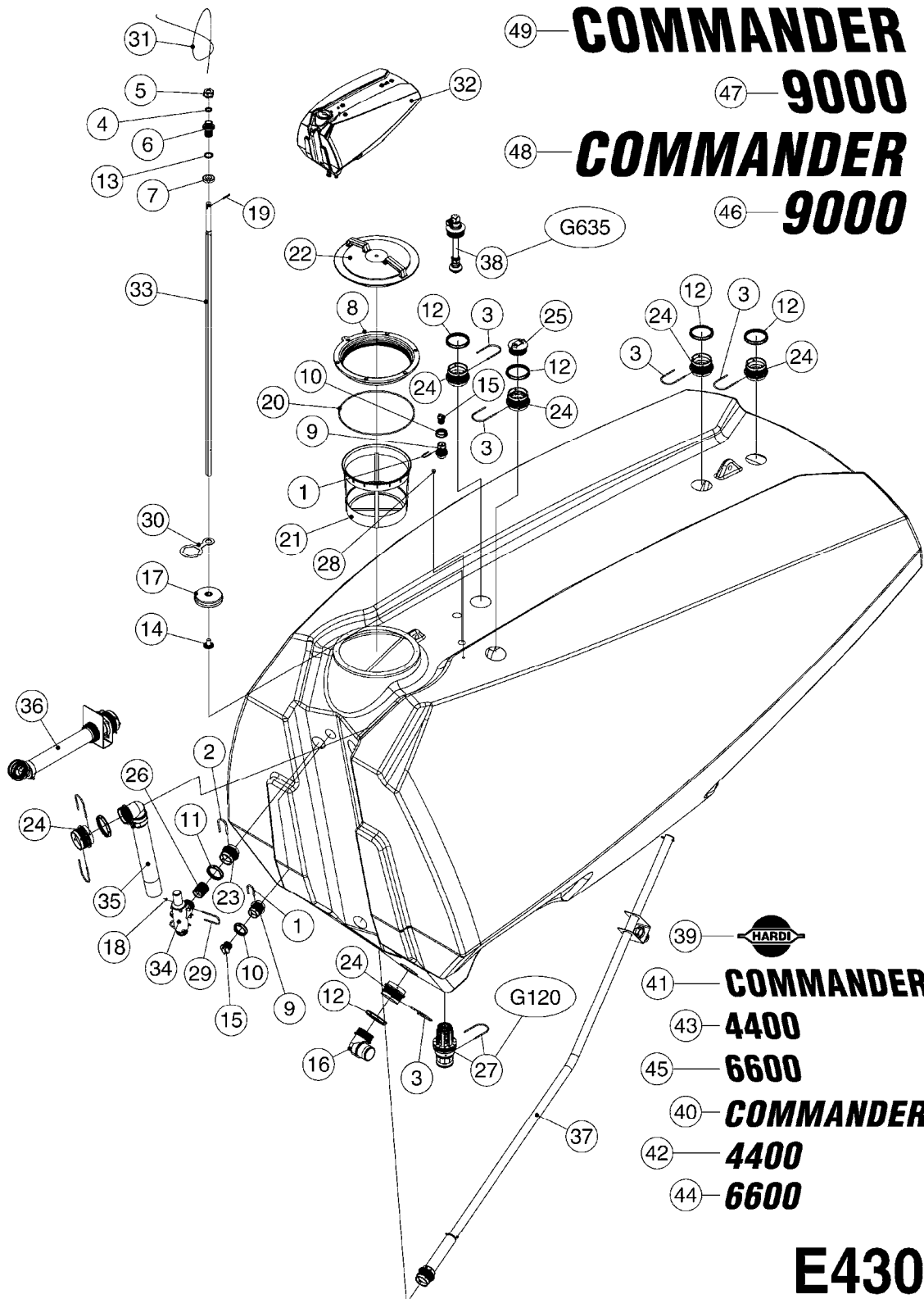
parts-n°	order qty	description
145994	1	FITT.DK S-40 FORK
145995	1	FITT.DK S-53 FORK
145996	1	FITT.DK S-67 FORK
146611	1	CLAMP D3/32-37MM
172813	1	STRAP REINFORCEMENT F.950
240306	1	O-RING D29/D21X4
242346	1	SEAL D30/10X3
242351	1	O-RING D69.5X3.0 VITON F.S-93
242355	1	O-RING D19.2X3.0 VITON F.S-40
284724	1	CLAMP HOSE GEAR D52-70
284846	1	CABLE TIE 8 X 27
320084	1	FITT.DK NUT 1/2" BSP
320456	1	FITT.DK BULKHEAD 1"BSP DOUBLE
320471	1	FITT.DK NUT 1" BSP JAMB
320482	1	FITT.DK ELB. 1/2" BSP 60 DEG.
320563	1	FITT.DK 3 WAY 1/2" 110 DEG.
320574	1	FITT.DK NUT 1" BSP SPECIAL
320795	1	FITT.DK NUT 1-1/2" BSP JAMB
322102	1	FITT.DK S-40 BULKHEAD
322103	1	FITT.DK S-53 BULKHEAD
322104	1	FITT.DK S-67 BULKHEAD
322106	1	FITT.DK S-40 BULKHEAD NUT
322107	1	FITT.DK S-53 BULKHEAD NUT
322108	1	FITT.DK S-67 BULKHEAD NUT
322109	1	FITT.DK S-93 BULKHEAD NUT
322227	1	HOUSING F.FILTER S-93 2"
330072	1	O-RING D53,5/D45,5X4
332577	1	O-RING D38/D30X4 F.1" PUR.
334234	1	FITT.DK S-93 STR.2" RUBBER
334242	1	FITT.DK S-53 ELB.1"
334244	1	FITT.DK S-67 ELB.1-1/4"
334248	1	FITT.DK S-40 PLUG
334259	1	GASKET F. S-40 BULKHEAD
334260	1	GASKET F. S-53 BULKHEAD
334262	1	GASKET F.S-93 BULKHEAD
334469	1	CLEVIS F.CORD TOP DRAIN ASSY.
334472	1	HANDLE FOR TOP DRAIN
334517	1	END CAP F. SPARGER TUBE
334526	1	FOOT F.SUCTION TUBE 2"
334605	1	VANE F.TOP SUCTION FILTER
340207	1	TANK STRAP PACKING 40X800
341150	1	SPARGE TUBE HC650
341229	1	TUBE, SUCTION-2",L=1600MM
370495	1	NOZZLE INJECTOR 5066-3.0
421234	1	SCREW SET M10X50 STAINLESS
440392	1	SCREW NO.14 1"
460423	1	NUT HEX M10X1.5 LOCK
471140	1	WASHER D30/D10.5X2.5 STAINLESS
480779	1	PIN D5X55 SPLIT
615575	1	FILTER F.TOP SUCT.30 MESH GRN.
615576	1	FILTER F.TOP SUCT.50 MESH BLUE
722971	1	SAFETY VALVE SCF 217PSI(15BAR)
726079	1	AGITATION TUBE ASSY. HC950
727742	1	TOP DRAIN CORD TYPE
728905	1	TANK/FRAME TY/TZ/TA 3500
729602	1	TOP SUCTION KIT NAV 2"
834098	1	SPARGE TUBE ASSY CPL HC/TA650M
927331	1	HOSE R X 28 BAR X 50MM X 0012"
978403	1	DECAL COMPANY 280 X 450
10045303	1	FILTER BASKET 16"
10052203	1	LID VENT ASSY



TANK-HC 950M/950 TWIN (POST 95)
E420-HIN, 14:12:09

Page 2
Date 19.03.2013 9:51

parts-n°	order qty	description
10054503	1	SCREW 3/4" SELF TAPPING
10064203	1	SET SEALING SPONGE RUBBER
10102203	1	GASKET F.16" LID BREATHER
14001500	1	GROMMET F.TOP DRAIN CORD
28014203	1	LID ASSY. (3-PC.) 16" ARAG
92702403	1	HOSE PVC SUCT GRAY 1"
92738900	1	HOSE R X PVC X 1-1/4" 0012"



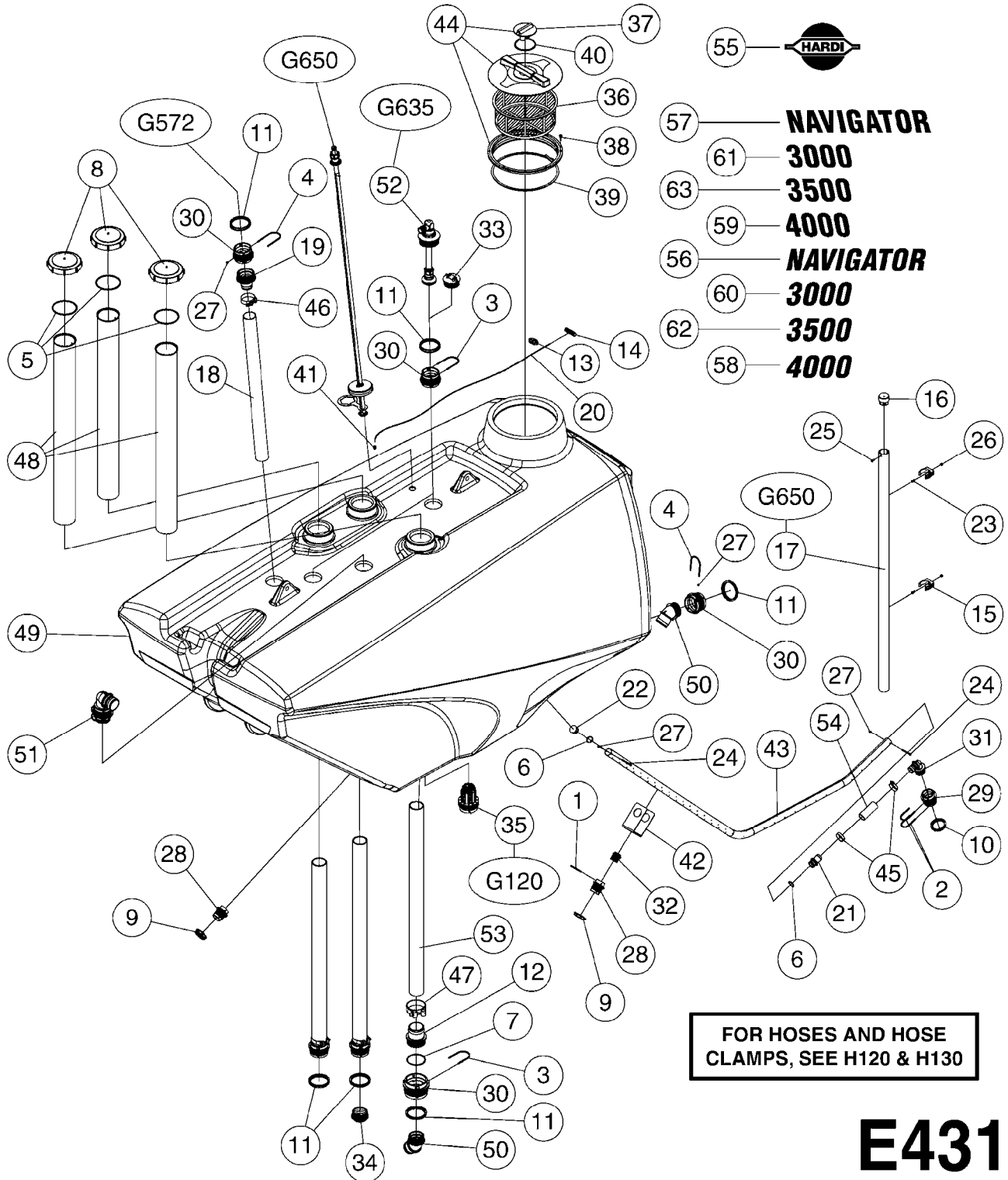


TANK NCM 4400/6600/9000
E430-HIN, 23:04:12

Page 1

Date 19.03.2013 9:51

Pos.	parts-n°	order qty	description
1	145994	1	FITT.DK S-40 FORK
2	145996	1	FITT.DK S-67 FORK
3	145997	1	FITT.DK S-93 FORK
4	242309	1	SEAL Ø22 ID Ø30 OD X 4 HIGH
5	320095	1	FITT.DK NUT 1" BSP
6	320456	1	FITT.DK BULKHEAD 1"BSP DOUBLE
7	320471	1	FITT.DK NUT 1" BSP JAMB
8	322097	1	THREADED RING F. LID
9	322102	1	FITT.DK S-40 BULKHEAD
10	322106	1	FITT.DK S-40 BULKHEAD NUT
11	322108	1	FITT.DK S-67 BULKHEAD NUT
12	322109	1	FITT.DK S-93 BULKHEAD NUT
13	332577	1	O-RING D38/D30X4 F.1" PUR.
14	333864	1	GUIDE F. SAFETY VALVE SPRING
15	334248	1	FITT.DK S-40 PLUG
16	334340	1	FITT.DK S-93 ELB.2-1/2' PVC
17	334515	1	FLOATER FOR LIQUID LEVEL
18	461217	1	NUT HEX M5 LOCK
19	480717	1	PIN D5 X 40 STAINLESS
20	614588	1	SEAL F. LID
21	614602	1	FILTER BASKET
22	726003	1	LID F. TANK
23	726464	1	FITT.DK S-67 BULKHEAD W/GASKET
24	726465	1	FITT.DK S-93 BULKHEAD W/GASKET
25	726580	1	FITT. S93 PLUG W/O-RING
26	728526	1	FITT.DK S-67 CONNECT W. ORINGS
27	730084	1	BOTTOM VALVE S93 2"RG-3M
28	14001500	1	GROMMET F.TOP DRAIN CORD
29	14012200	1	FITT.DK S-67 FORK W/M5 THREADS
30	16025500	1	TANK SPACER SIGHT GAUGE
31	28034100	1	CABLE F.LIQUID LEVEL INDICATOR
32	35002004	1	TANK RAW 9000 NCM
32	72265400	1	TANK NCM 4400 ASSEMBLY
32	72265500	1	TANK NCM 6600 ASSEMBLY
33	61036700	1	GUIDE TUBE F.FLOAT NCM 4400
33	61038600	1	GUIDE TUBE F.FLOAT NCM 9000
33	61038700	1	GUIDE TUBE F.FLOAT NCM 6600
34	72280300	1	SAFTY VALVE S67 15 BAR CM'05
35	72317500	1	SUCT. HOSE 2-1/2"X1100 S39/90
36	72317600	1	SUCT. HOSE 2"X900/S39-S93
37	72356900	1	PRESSURE AGITATION CM 6600
37	72538900	1	PRESSURE AGITATION CM 4400
38	72358000	1	TANK RINSE LOW MOD.ASSMBLY NCM
39	97811600	1	DECAL COMPANY 335MM X 210MM
40	97811700	1	DECAL COMMANDER LEFT HAND
41	97811800	1	DECAL COMMANDER RIGHT HAND
42	97812100	1	DECAL 4400 LEFT HAND
43	97812200	1	DECAL 4400 RIGHT HAND
44	97813800	1	DECAL 6600 LEFT HAND
45	97813900	1	DECAL 6600 RIGHT HAND
46	97815000	1	DECAL 9000 LEFT
47	97815100	1	DECAL 9000 RIGHT
48	97815200	1	DECAL COMMANDER LEFT 145%
49	97815300	1	DECAL COMMANDER RIGHT 145%



FOR HOSES AND HOSE
CLAMPS, SEE H120 & H130

E431



TANK - NAVIGATOR 3000/4000
E431-HIN, 04:12:10

Page 1

Date 19.03.2013 9:51

Pos.	parts-n°	order qty	description
1	145995	1	FITT.DK S-53 FORK
2	145996	1	FITT.DK S-67 FORK
3	145997	1	FITT.DK S-93 FORK
4	147774	1	FITT.DK S-93 FORK W. M5 THREAD
5	241415	1	O-RING D117,5X5,33 NITRIL
6	241441	1	O-RING D29.3X3
7	242351	1	O-RING D69.5X3.0 VITON F.S-93
8	321591	1	LID 150MM NAV TK & FOAM MARKER
9	322107	1	FITT.DK S-53 BULKHEAD NUT
10	322108	1	FITT.DK S-67 BULKHEAD NUT
11	322109	1	FITT.DK S-93 BULKHEAD NUT
12	334443	1	FITT.DK S-93 STR.2-1/2'
13	334469	1	CLEVIS F.CORD TOP DRAIN ASSY.
14	334472	1	HANDLE FOR TOP DRAIN
15	334523	1	PIPE HOLDER D51.5
16	334850	1	GUIDE F. SIGHT GAUGE TUBE TOP
17	341204	1	SIGHT GAUGE TUBE L=59'
17	341273	1	TUBE F.SIGHT GAUGE L=65"
17	97610203	1	DECAL SIGHT GAUGE NAV 3000 GAL
17	97610403	1	DECAL SIGHT GAUGE NAV 4000 GAL
17	97611503	1	DECAL SIGHT GAUGE NAV 3500 GAL
18	341285	1	TUBE Ø57/Ø52 L=1500 YELLOW PE
19	390691	1	FITT.DK S-93 STR.2"PVC DRILLED
20	390899	1	CORD NYLON 3200MM
21	390902	1	SPARGE TUBE FITT FRONT CM 1200
22	390903	1	CAP SPARGE TUBE CM 1200
23	410185	1	BOLT HEX 8.8 DEL M6X16
24	411078	1	BOLT HEX M5 X 60 SS
25	440333	1	SCREW 3.5 X 9.5 SS
26	460261	1	NUT HEX M6X1 LOCK
27	461217	1	NUT HEX M5 LOCK
28	726463	1	FITT.DK S53 BULKHEAD W/GASKET
29	726464	1	FITT.DK S-67 BULKHEAD W/GASKET
30	726465	1	FITT.DK S-93 BULKHEAD W/GASKET
31	726573	1	FITT. S67 5/4" 90° W/O-RING
32	726578	1	FITT.DK S53 PLUG WITH O-RING
33	726580	1	FITT. S93 PLUG W/O-RING
34	728562	1	FITT.DK S-93 TO S67 ADAPTOR
35	730084	1	BOTTOM VALVE S93 2"RG-3M
36	10045303	1	FILTER BASKET 16"
37	10052203	1	LID VENT ASSY
38	10054503	1	SCREW 3/4" SELF TAPPING
39	10064203	1	SET SEALING SPONGE RUBBER
40	10102203	1	GASKET F.16" LID BREATHER
41	14001500	1	GROMMET F.TOP DRAIN CORD
42	15102300	1	SPARGE TUBE STAINLESS NAV '07
43	16008300	1	BRACKET SPARGE TUBE CM1200+
44	28014203	1	LID ASSY. (3-PC.) 16" ARAG
45	28030103	1	CLAMP HOSE GEAR P5/4-S1.5"6724
46	28030203	1	CLAMP HOSE T-BOLT S2" 235-67
47	28030303	1	CLAMP HOSE T-BOLT S2.5" 235-76
48	28082200	1	DROP TUBE Ø110/L=1120 NAV3000
48	28082300	1	DROP TUBE Ø110/L=1350 NAV4000
49	35003603	1	TANK, MAIN 3000L NAVIGATOR
49	35003703	1	TANK, MAIN 4000L NAVIGATOR
49	35004403	1	TANK, MAIN 3500L NAVIGATOR
50	72072900	1	FITT.S93 2-1/2" 45°PVC W/ORING
51	72374800	1	TANK VENT S93 2-1/2" NAV/NCM
52	72358000	1	TANK RINSE LOW MOD.ASSMBLY NCM
53	92702803	1	HOSE PVC SUCT GRAY 2-1/2"
54	92734403	1	HOSE R X5/4" X200PSI WP X0012"



TANK - NAVIGATOR 3000/4000
E431-HIN, 04:12:10

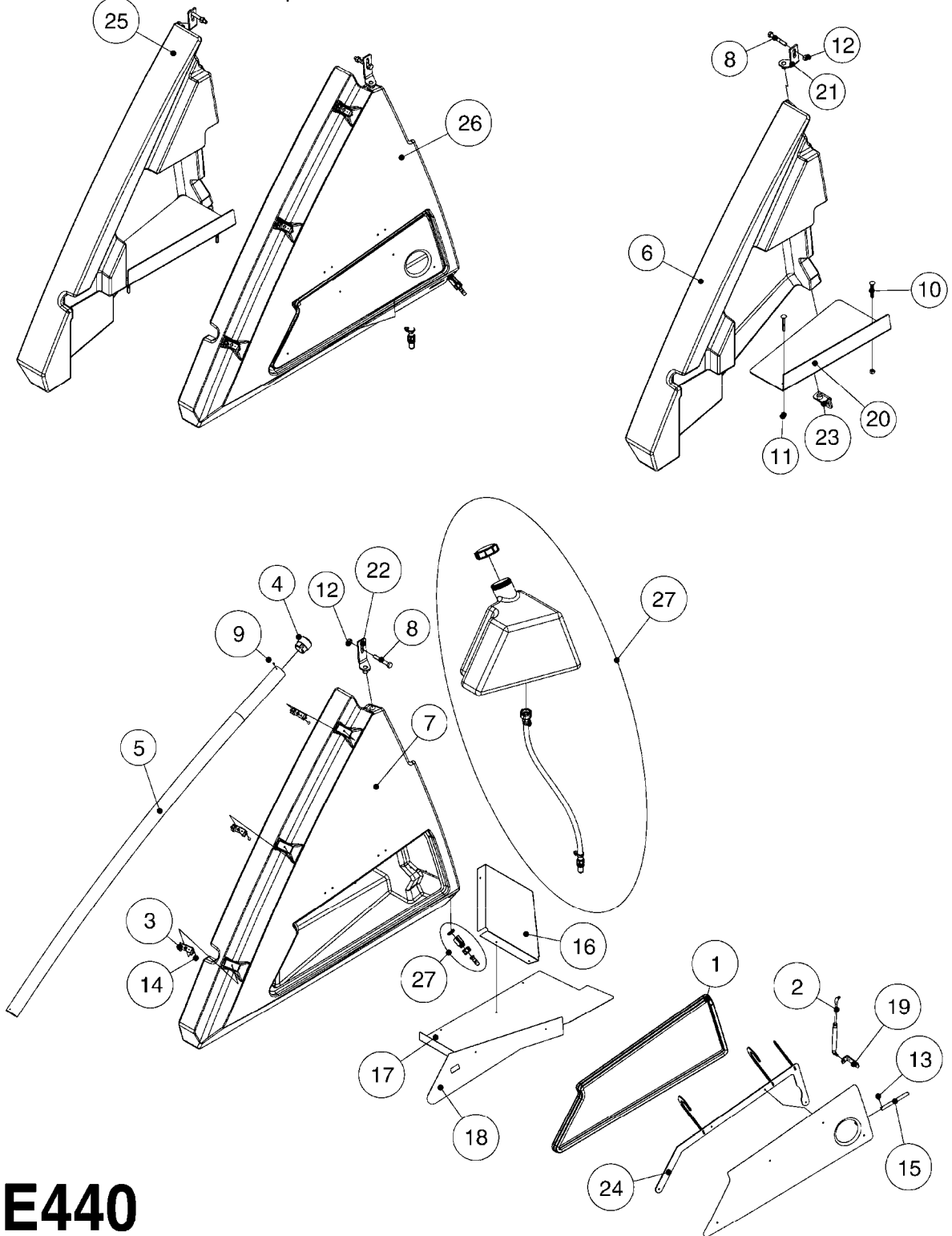
Page 2

Date 19.03.2013 9:51

Pos.	parts-n°	order qty	description
55	97811600	1	DECAL COMPANY 335MM X 210MM
56	97819300	1	DECAL NAVIGATOR LEFT 06
57	97819400	1	DECAL NAVIGATOR RIGHT 06
58	97819500	1	DECAL 4000 LEFT 06
59	97819600	1	DECAL 4000 RIGHT 06
60	97819700	1	DECAL 3000 LEFT 06
61	97819800	1	DECAL 3000 RIGHT 06
62	97824300	1	DECAL 3500 LEFT USA
63	97824400	1	DECAL 3500 RIGHT USA



Complete



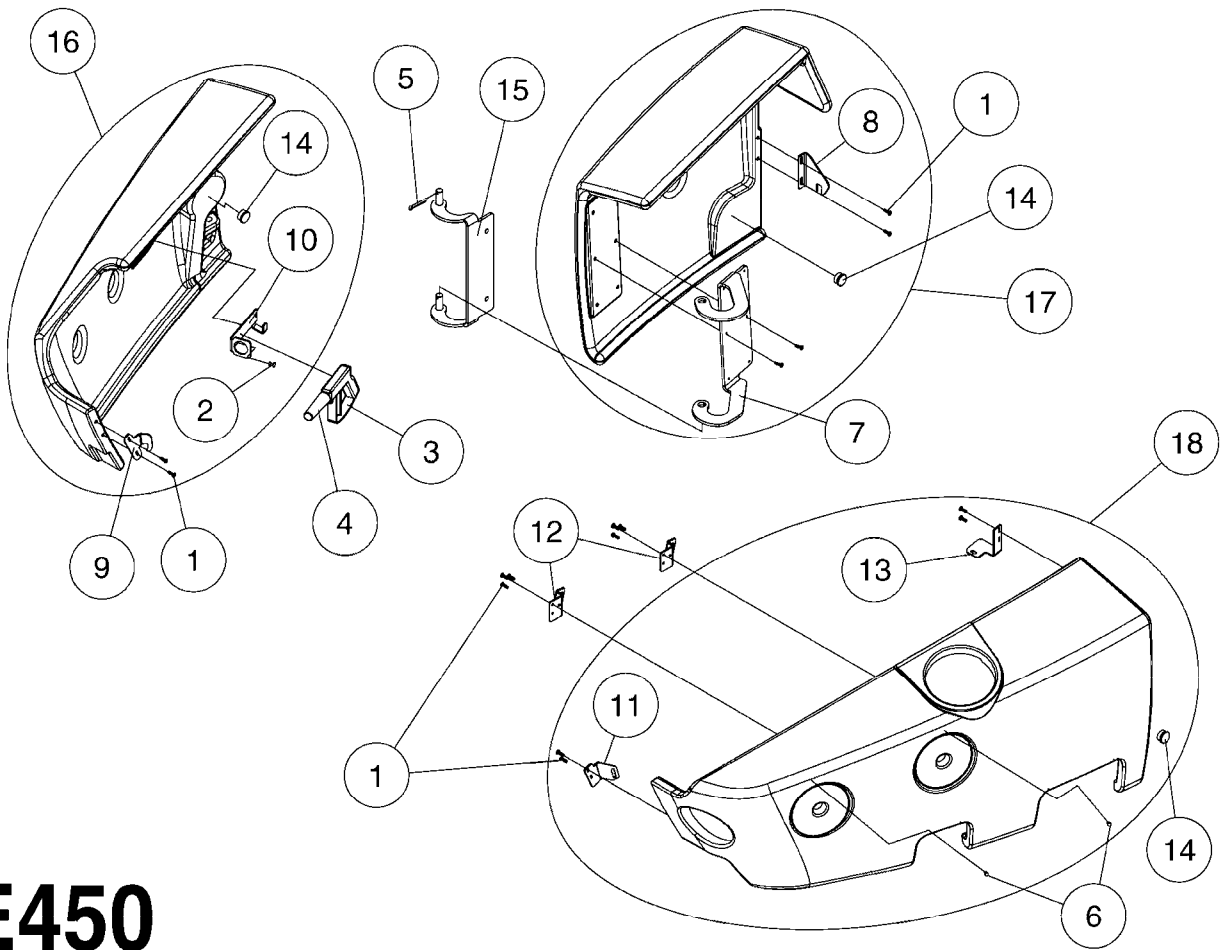
E440



LOCKER & CLEAN WATER TANK NCM
E440-HIN, 09:07:09

Page 1
Date 19.03.2013 9:51

Pos.	parts-n°	order qty	description
1	242474	1	SEAL 16X28XL=' LOCKER DOOR CM+
2	285793	1	GAS CYLINDER
3	334523	1	PIPE HOLDER D51.5
4	334850	1	GUIDE F. SIGHT GAUGE TUBE TOP
5	341307	1	TUBE F.SIGHT GAUGE L=75" NCM 4400
5	341339	1	TUBE F.SIGHT GAUGE L=82" NCM 6600
5	341340	1	TUBE F.SIGHT GAUGE L=94" (2382) NCM 9000
5	89109004	1	DECAL SIGHT GAUGE 9000 LITERS
5	97609403	1	DECAL SIGHT GAUGE CM4400 GAL.
5	97609803	1	DECAL SIGHT GAUGE CM6600 GAL.
5	97610003	1	DECAL SIGHT GAUGE NCM 9000 GAL
5	97808000	1	DECAL SIGHT GAUGE CM4400 LITER
5	97813700	1	DECAL SIGHT GAUGE CM6600 LITER
6	351766	1	SIDE SHIELD MOUNT RIGHT
7	351767	1	SIDE SHIELD MOUNT LEFT
8	430846	1	BOLT HEX 8.8 DEL M12X80
9	440333	1	SCREW 3.5 X 9.5 SS
10	440718	1	BOLT CRG M10 X 65 DEL
11	460423	1	NUT HEX M10X1.5 LOCK
12	460703	1	NUT HEX M12X1.75 LOCK
13	480141	1	PIN COTTER M4X20
14	480809	1	BLIND RIVET, EMHART ACD616ASM
15	15057800	1	HANDLE F.LEFT SIDE LOCKER
16	16124500	1	DIVIDER F.LOCKER L.SIDE SHIELD
17	16124600	1	SHELF FLOOR-LEFT SIDE LOCKER
18	16124700	1	SHELF WALL-LEFT SIDE LOCKER
19	16126900	1	BRACKET F.DOOR-STORAGE LOCKER
20	16127300	1	SHELF FLOOR-RIGHT SIDE LOCKER
21	61033900	1	BRACKET F. SIDE PANEL R.H. NCM
22	61034000	1	BRACKET F. SIDE PANEL L.H. NCM
23	61037500	1	ADJUSTING BRACKET, BOTTOM NCM
24	63037800	1	BRACKET F.DOOR-STORAGE LOCKER
25	72280100	1	SIDE SHIELD RIGHT NCM COMPLETE
26	72280200	1	SIDE SHIELD LEFT+CLEAN W.TANK
27	72280600	1	CLEAN W.TANK LEFT SIDE NCM



E450

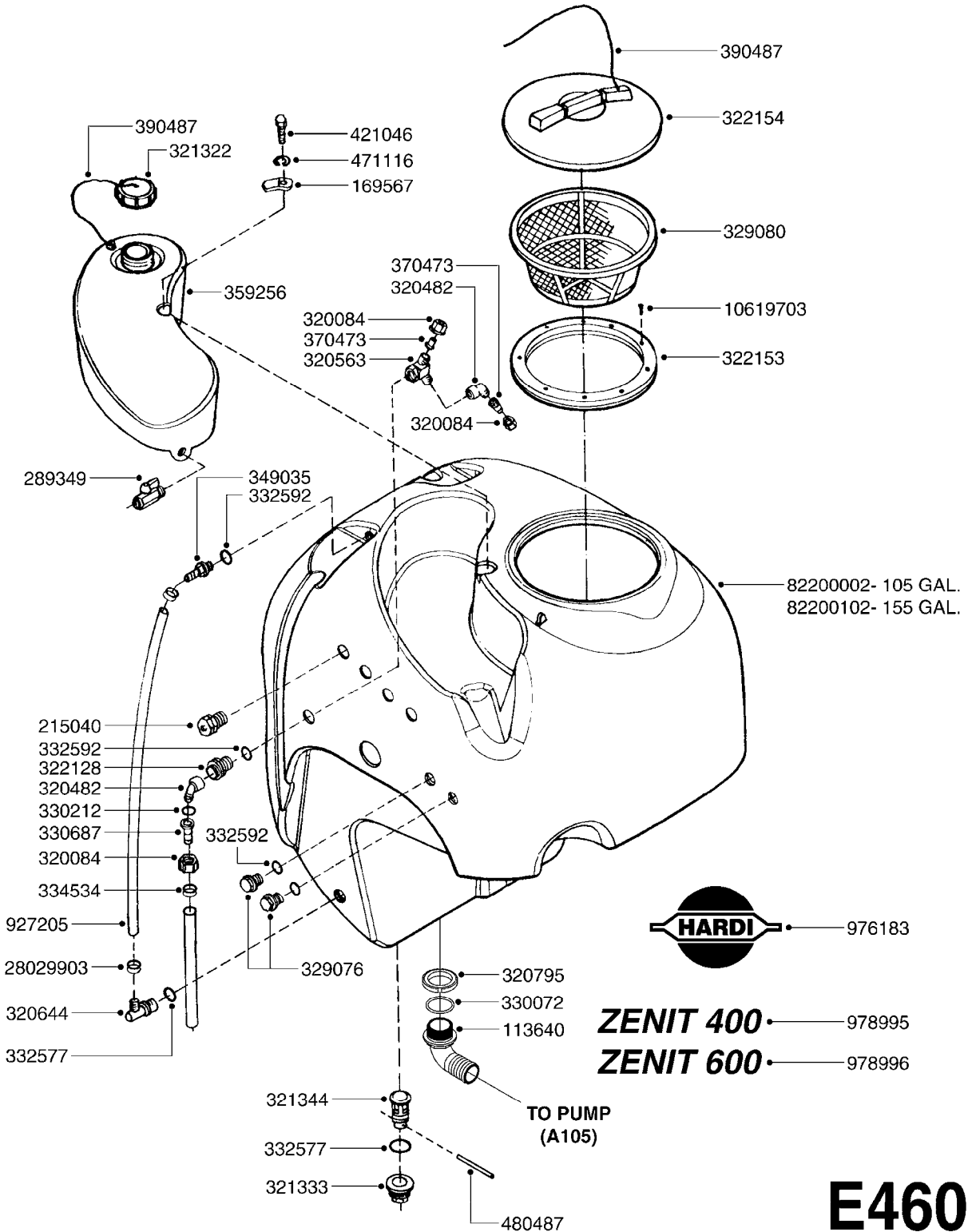


SHIELDS NCM 4400/6600/9000
E450-HIN, 18:05:09

Page 1

Date 19.03.2013 9:51

Pos.	parts-n°	order qty	description
1	440719	1	SCREW F.PLASTIC KB60x20 SS
2	480809	1	BLIND RIVET, EMHART ACD616ASM
3	725663	1	PISTOL 60 COVER PART
4	725664	1	FRONTPART F.SPRAY GUN MODEL 60
5	10008603	1	COTTER PIN 3/16"X 1-1/2"
6	14042800	1	INDICATOR FOR VALVE POSITION
7	16133800	1	HINGE F.GREY SHIELD CM '05
8	16133900	1	HOOK F.GREY SHIELD CM '05
9	16134000	1	BKT F. FRONT RH COVER NCM
10	16134100	1	BKT. HAND GUN HOLDER NCM
11	16135300	1	BKT F. FRONT LH COVER NCM
12	16135400	1	MIDDLE HANGER LEFT GRAY SIDE
13	16135500	1	BKT F. FRONT LH COVER NCM
14	28046900	1	COVER PLUG 1" BLACK
15	61035500	1	HINGE BRACKET FOR CM05 LOCKER
16	72294000	1	SHEILD R.H.FRONT ASSM. NCM
17	72294100	1	SHEILD R.H. CHEM-LOCKER ASSM.
18	72294900	1	SHEILD L.H.FRONT ASSM. NCM

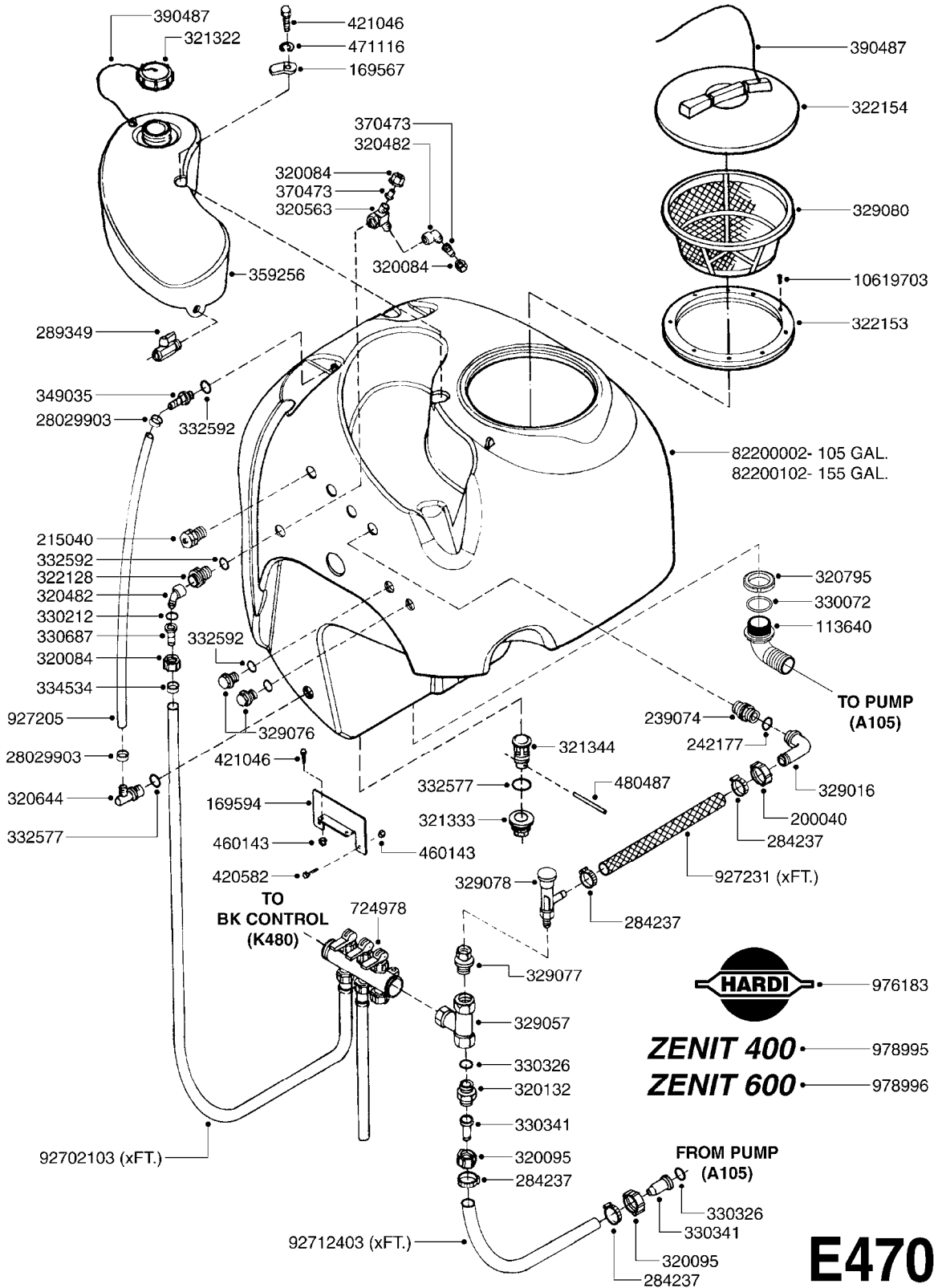




TANK - ZENIT 105/155 MANIFOLD
E460-HIN, 28:11:12

Page 1
Date 19.03.2013 9:51

parts-n°	order qty	description
113640	1	HOSEBARB, BSP, 1-1/2" 90°
169567	1	BRACKET F.15 L TANK ZENIT
215040	1	PLUG M 1"
289349	1	BALL VALVE 3/8" M-H
320084	1	FITT.DK NUT 1/2" BSP
320482	1	FITT.DK ELB. 1/2" BSP 60 DEG.
320563	1	FITT.DK 3 WAY 1/2" 110 DEG.
320644	1	FITT.DK ELB.3/4"HB X 1" BSP
320795	1	FITT.DK NUT 1-1/2" BSP JAMB
321322	1	SCREW CAP F. S80 X 4
321333	1	FITT.DK BULK 1-1/2" X 1"F BSP
321344	1	DRAIN SCREW 1" BSP RED
322128	1	NIPPLE 1/2"
322153	1	FILTER CASING 170
322154	1	SCREW COVER D355
329076	1	PLUG 1/2" M.
329080	1	FILTER BASKET 12"
330072	1	O-RING D53,5/D45,5X4
330212	1	O-RING D19/D14X2.4 F.1/2"NUT
330687	1	FITT.DK HB 1/2" F. 1/2" NUT
332577	1	O-RING D38/D30X4 F.1" PUR.
332592	1	O-RING D26/D20X3
334534	1	CLAMP HOSE PLASTIC 1/2"
349035	1	FITTING STRAIGHT 1/2" D20
359256	1	CLEAN WATER TANK 4 GAL. ZENIT
370473	1	NOZZLE INJECTOR 5066-2.0
390487	1	CORD NYLON F.SIGHT GAUGE 4500m
421046	1	BOLT HEX 8.8 DEL M8X25 FT
471116	1	WASHER D8 TENSION
480487	1	PIN M5X60 SLOTTED GALV
927205	1	HOSE R X CLEAR X 3/4 X 0012"
976183	1	DECAL COMPANY 185 X 300
978995	1	DECAL "ZENIT 400"
978996	1	DECAL "ZENIT 600"
10619703	1	SCREW SS #6x3/4' SELF TAPPING
28029903	1	CLAMP HOSE GEAR P3/4"-S1" 6712
82200002	1	TANK 105 GALLON ZENIT 400L
82200102	1	TANK 155 GALLON ZENIT 600L



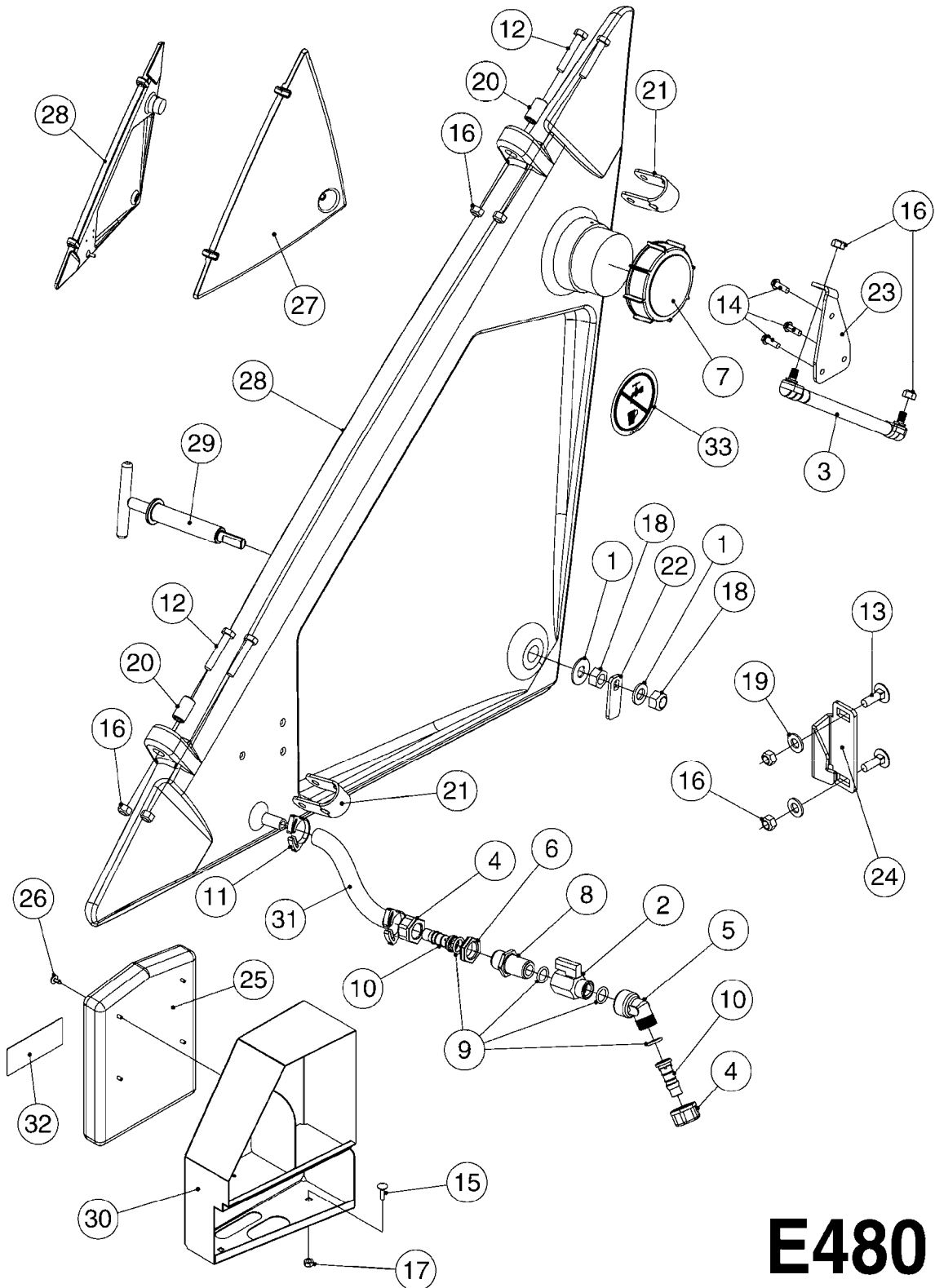
E470



TANK - ZENIT 105/155 BK
E470-HIN, 28:11:12

Page 1
Date 19.03.2013 9:51

parts-n°	order qty	description
113640	1	HOSEBARB, BSP, 1-1/2" 90°
169567	1	BRACKET F.15 L TANK ZENIT
169594	1	MT.BRACKET DISTRIB. ZENIT
200040	1	FITT. ARAG 1"
215040	1	PLUG M 1"
239074	1	HEX NIPPLE 1'X3/4'
242177	1	O-RING D25.4 X 20.2 X 2.6
284237	1	CLAMP HOSE GEAR D20/30
289349	1	BALL VALVE 3/8" M-H
320084	1	FITT.DK NUT 1/2" BSP
320095	1	FITT.DK NUT 1" BSP
320132	1	FITT.DK HN 1" BSP
320482	1	FITT.DK ELB. 1/2" BSP 60 DEG.
320563	1	FITT.DK 3 WAY 1/2" 110 DEG.
320644	1	FITT.DK ELB.3/4"HB X 1" BSP
320795	1	FITT.DK NUT 1-1/2" BSP JAMB
321322	1	SCREW CAP F. S80 X 4
321333	1	FITT.DK BULK 1-1/2" X 1"F BSP
321344	1	DRAIN SCREW 1" BSP RED
322128	1	NIPPLE 1/2"
322153	1	FILTER CASING 170
322154	1	SCREW COVER D355
329016	1	MOUNT BRACKET ILEMO
329057	1	FITTING TEE 1" F-F-F
329076	1	PLUG 1/2" M.
329077	1	FITTING 1" TO 1/2" ARAG
329078	1	SAFETY VALVE 290 PSI
329080	1	FILTER BASKET 12"
330072	1	O-RING D53,5/D45,5X4
330212	1	O-RING D19/D14X2.4 F.1/2"NUT
330326	1	O-RING D30/D24X2 F.1"NUT
330341	1	FITT.DK HB 1" F. 1" NUT
330687	1	FITT.DK HB 1/2" F. 1/2" NUT
332577	1	O-RING D38/D30X4 F.1" PUR.
332592	1	O-RING D26/D20X3
334534	1	CLAMP HOSE PLASTIC 1/2"
349035	1	FITTING STRAIGHT 1/2" D20
359256	1	CLEAN WATER TANK 4 GAL. ZENIT
370473	1	NOZZLE INJECTOR 5066-2.0
390487	1	CORD NYLON F.SIGHT GAUGE 4500m
420582	1	BOLT HEX 8.8 DEL M8X20 FT
421046	1	BOLT HEX 8.8 DEL M8X25 FT
460143	1	NUT HEX M8 LOCK
471116	1	WASHER D8 TENSION
480487	1	PIN M5X60 SLOTTED GALV
724978	1	1/2" DISTRIBUTOR TYP.3
927205	1	HOSE R X CLEAR X 3/4 X 0012"
927231	1	HOSE R X PVCX3/4 CLR/BRD 0012"
976183	1	DECAL COMPANY 185 X 300
978995	1	DECAL "ZENIT 400"
978996	1	DECAL "ZENIT 600"
10619703	1	SCREW SS #6x3/4' SELF TAPPING
28029903	1	CLAMP HOSE GEAR P3/4"-S1" 6712
82200002	1	TANK 105 GALLON ZENIT 400L
82200102	1	TANK 155 GALLON ZENIT 600L
92702103	1	HOSE R X1/2" X300PSI WP X0012"
92712403	1	HOSE R X1" X300PSI WP X0012"



E480



Pos.	parts-n°	order qty	description
1	160521	1	WASHER D30.5/D13X2
2	281551	1	BALL VALVE 1/2"
3	285793	1	GAS CYLINDER
4	320084	1	FITT.DK NUT 1/2" BSP
5	320482	1	FITT.DK ELB. 1/2" BSP 60 DEG.
6	321307	1	FITT.DK NUT 1/2" BSP JAMB
7	321322	1	SCREW CAP F. S80 X 4
8	321742	1	FITT.DK BULKHEAD 1/2' BSP
9	330212	1	O-RING D19/D14X2.4 F.1/2"NUT
10	330687	1	FITT.DK HB 1/2" F. 1/2" NUT
11	334534	1	CLAMP HOSE PLASTIC 1/2"
12	420766	1	BOLT HEX 8.8 DEL M8X45
13	440695	1	BOLT CARRIAGE M8X25
14	440698	1	SCREW F.PLASTIC 6X18 SS HEXHD
15	440737	1	BOLT CARRIAGE M10x25 SS
16	460143	1	NUT HEX M8 LOCK
17	460423	1	NUT HEX M10X1.5 LOCK
18	460703	1	NUT HEX M12X1.75 LOCK
19	471122	1	WASHER D20/D10.5X2 SS
20	14072600	1	BUSHING FOR NAV SHIELD
21	16213600	1	U-CLAMP FOR NAVIGATOR
22	16215900	1	LOCKING DEVICE F.SIDE SHIELD
23	16225500	1	BRACKET F.GAS CYLINDER NAV.
24	16226300	1	LOCK F.SIDE SHIELD NAVIGATOR L FOR LEFT SIDE SHIELD (NOT SHOWN)
24	16226500	1	PLATE, LOCK CHEEK NV RIGHT,RAW FOR RIGHT SIDE SHIELD (SHOWN)
25	29003003	1	MANUAL HOLDER, FLAT
26	29003103	1	PLASTIC PUSH RIVET, 1/4" HOLE
27	35179100	1	SIDE SHIELD L. NAVIGATOR
28	35180000	1	SIDE SHIELD R.NAV MACHINED
29	61049000	1	HANDLE FOR SIDE SHIELD
30	63062300	1	SAFETYLOCKER NAVIGATOR PAINTED
31	92702103	1	HOSE R X1/2" X300PSI WP X0012"
32	97607503	1	DECAL-OPERATOR'S MANUAL (LRG.)
33	97802300	1	DECAL - NOT DRINKING WATER D60