



Agroparts: www.HARDI-INTERNATIONAL.com

F

Country-Code 00

Date 19.03.2013 9:51



Section F

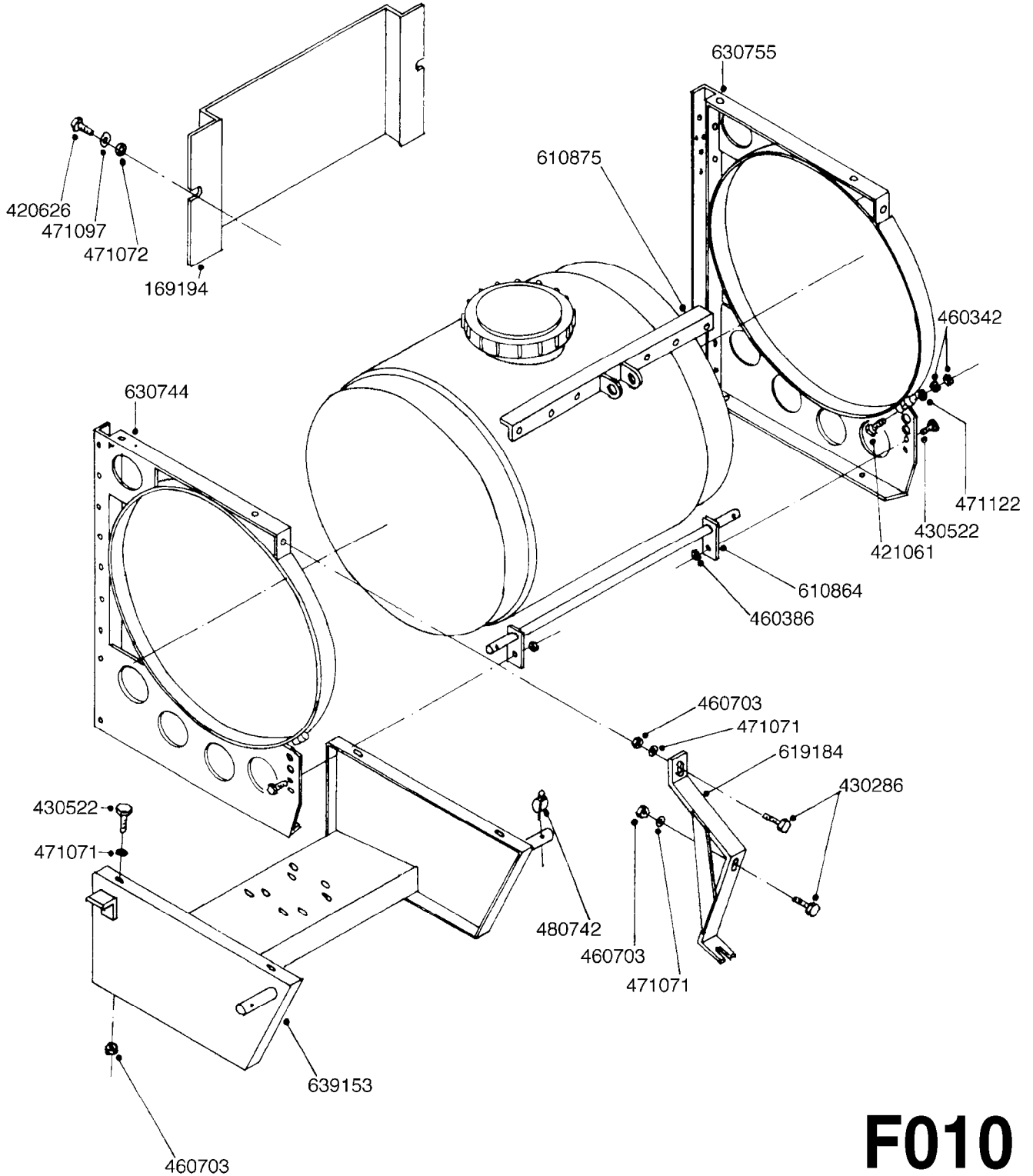
Frames, Hub
Assemblies



main group	page-n°	date	description
Frames, Hub Assemblies	F010-HIN	08:03:06	FRAME LB 50
	F020-HIN	12:12:05	FRAME - NL 80/105
	F030-HIN	16:11:09	FRAME - LE/LE-SPV/LP 100/150
	F040-HIN	01:01:01	FRAME - NL 155/210
	F050-HIN	12:12:05	FRAME - NK 105
	F060-HIN	01:01:01	FRAME NK 155/210
	F070-HIN	01:01:01	FRAME LX/LY 210/265/ (PRE 88)
	F080-HIN	01:01:01	FRAME LX/LY210/265/310 POST88
	F090-HIN	01:01:01	FRAME TWIN LA210/265/310 PRE93
	F100-HIN	01:01:01	FRAME TWIN LA210/265/310POST93
	F101-HIN	12:12:05	FRAME - ARROW 270
	F102-HIN	04:11:10	FRAME - ARROW 270/400 '05
	F110-HIN	30:03:10	FRAME MEGA 230/350
	F111-HIN	25:03:10	FRAME - DELTA 3PT
	F120-HIN	01:01:01	FRAME FRONT TANK 250/350
	F130-HIN	01:01:01	FRONT TANK MOUNT BRACKETS
	F140-HIN	01:01:01	FRAME SM 300/500
	F145-HIN	12:12:06	FRAME PASTURE SPRAYER 300/550
	F150-HIN	12:12:05	FRAME TL/ESC/TR 300 SA
	F160-HIN	12:12:05	FRAME TL/ESC/TR 500 SA
	F170-HIN	12:12:05	FRAME 500 TA
	F180-HIN	15:06:07	FRAME HC 500
	F190-HIN	12:12:05	FRAME TR 500 C
	F200-HIN	01:01:01	FRAME TMS 400/500
	F210-HIN	01:01:01	TMS PARKING MB & SPA
	F211-HIN	01:01:01	FRAME - TANGO/BRAVO/CONDOR 500
	F220-HIN	21:05:09	FRAME NAVIGATOR HC 550
	F230-HIN	15:06:07	FRAME NAVIGATOR STA 550
	F240-HIN	21:05:09	FRAME - NAVIGATOR M HC 550
	F250-HIN	15:06:07	FRAME NAVIGATOR M STA 550
	F251-HIN	14:12:07	FRAME "NEW" NAV 575
	F252-HIN	21:05:09	FIXED AXLE "NEW" NAV 575
	F253-HIN	02:11:10	FRAME - MERCURY 600
	F254-HIN	12:12:05	DRAWBARS - MERCURY/ARROW
	F255-HIN	01:01:01	DRAWBAR - TURNABLE HITCH
	F256-HIN	21:05:09	FRAME - RANGER 2200
	F257-HIN	12:11:10	PARALIFT - RANGER
	F260-HIN	15:06:07	FRAME HC 650 (PRE 94)
	F270-HIN	01:01:01	FRAME TWIN 650 (PRE 94)
	F280-HIN	15:06:07	FRAME HC 650M/TWIN 650 POST 94
	F290-HIN	14:12:07	FRAME CM 750
	F291-HIN	21:05:09	FRAME - CM+750
	F300-HIN	12:12:05	FRAME TR 800/1000 TA
	F310-HIN	15:06:07	FRAME HC 800/1000 SA
	F320-HIN	12:12:05	FRAME TR 1000 C
	F330-HIN	27:05:09	FRAME - NAVIGATOR HC 800/1000
	F340-HIN	27:05:09	FRAME-NAV.M HC800/1000 PRE'05
F341-HIN	27:05:09	FRAME-NAV.M HC800/1000 POST'05	
F350-HIN	11:05:09	FRAME - NAVIGATOR TA 800/1000	
F360-HIN	11:05:09	FRAME-NAV.M TA800/1000 PRE'05	
F361-HIN	11:05:09	FRAME-NAV.M TA800/1000 POST'05	
F370-HIN	15:06:07	FRAME - HC 950	
F380-HIN	15:06:07	FRAME - HC 950M/TWIN 950	
F381-HIN	14:12:07	FRAME - NEW NAVIGATOR 1100	
F382-HIN	21:05:09	"NEW" NAVIGATOR SUSPENDE AXLE	
F390-HIN	18:10:12	FRAME - CM 875/1200	
F391-HIN	09:12:09	FRAME - CM+1200	



main group	page-n°	date	description
	F392-HIN	18:10:12	DRAWBAR - CM+750/1200
	F393-HIN	01:01:01	FRAME CM 1500
	F400-HIN	09:12:09	COMMANDER SUSPENDED AXLE
	F404-HIN	02:06:09	NCM 4400/6600 NON-SUSPEND.AXLE
	F405-HIN	02:06:09	NCM 4400/6600 SUSPENDED AXLE
	F406-HIN	02:06:09	WHEELS FOR NEW COMMANDER
	F408-HIN	28:06:06	HUB ASSEMBLY F.1-1/4" SPINDLE
	F410-HIN	22:08:05	HUB ASSEMBLY F.1-3/4" SPINDLE
	F420-HIN	28:11:06	HUB ASSEMBLY F.2 1/8" SPINDLE
	F430-HIN	20:05:09	HUB ASSEMBLY F.2 3/4" SPINDLE
	F440-HIN	08:06:10	HUB ASSY F. 3" SPINDLE CM750
	F441-HIN	19:06:10	HUB ASSY 3" SPINDLE NAV 575
	F450-HIN	19:06:10	HUB ASSEMBLY F.3-1/8" SPINDLE
	F451-HIN	09:12:09	HUB ASSEMBLY F.3-1/2" SPINDLE
	F460-HIN	07:10:10	HUB ASSEMBLY F.4-1/2" SPINDLE
	F470-HIN	15:05:12	FRAME - NCM 4400/6600
	F480-HIN	16:11:09	HYD. DRAWBAR - NCM 6600
	F490-HIN	06:06:12	FRAME - REAR W/PARALIFT NCM
	F500-HIN	15:06:07	FRAME - ZENIT 105/155 PNEUM.
	F510-HIN	14:12:07	FRAME - ZENIT 105/155 AXIAL
	F520-HIN	18:10:12	FRAME-NAVIGATOR 3000/3500/4000
	F530-HIN	24:03:10	NAVIGATOR SUSPENSION AND AXLES
	F540-HIN	13:06:08	NAV. ADJUSTABLE AXLE 60"-120"
	F550-HIN	05:12:09	NAVIGATOR 3000/4000 PLATFORM
	F560-HIN	08:06:10	NAVIGATOR 3000/4000 PARALIFT
	F570-HIN	11:11:09	DRAWBAR - NCM 9000
	F580-HIN	01:06:09	FRAME - NCM 9000
	F590-HIN	03:06:09	PARALIFT - NCM 9000
	F600-HIN	03:06:09	NCM 9000 SUSPENDED AXLE
	F610-HIN	21:10:10	FRAME - MERCURY 600 '05
	F620-HIN	26:10:10	FRAME - MERCURY 925 '05
	F630-HIN	09:05:11	FRAME - RANGER 550
	F640-HIN	27:11:12	FRAME - RANGER 2000



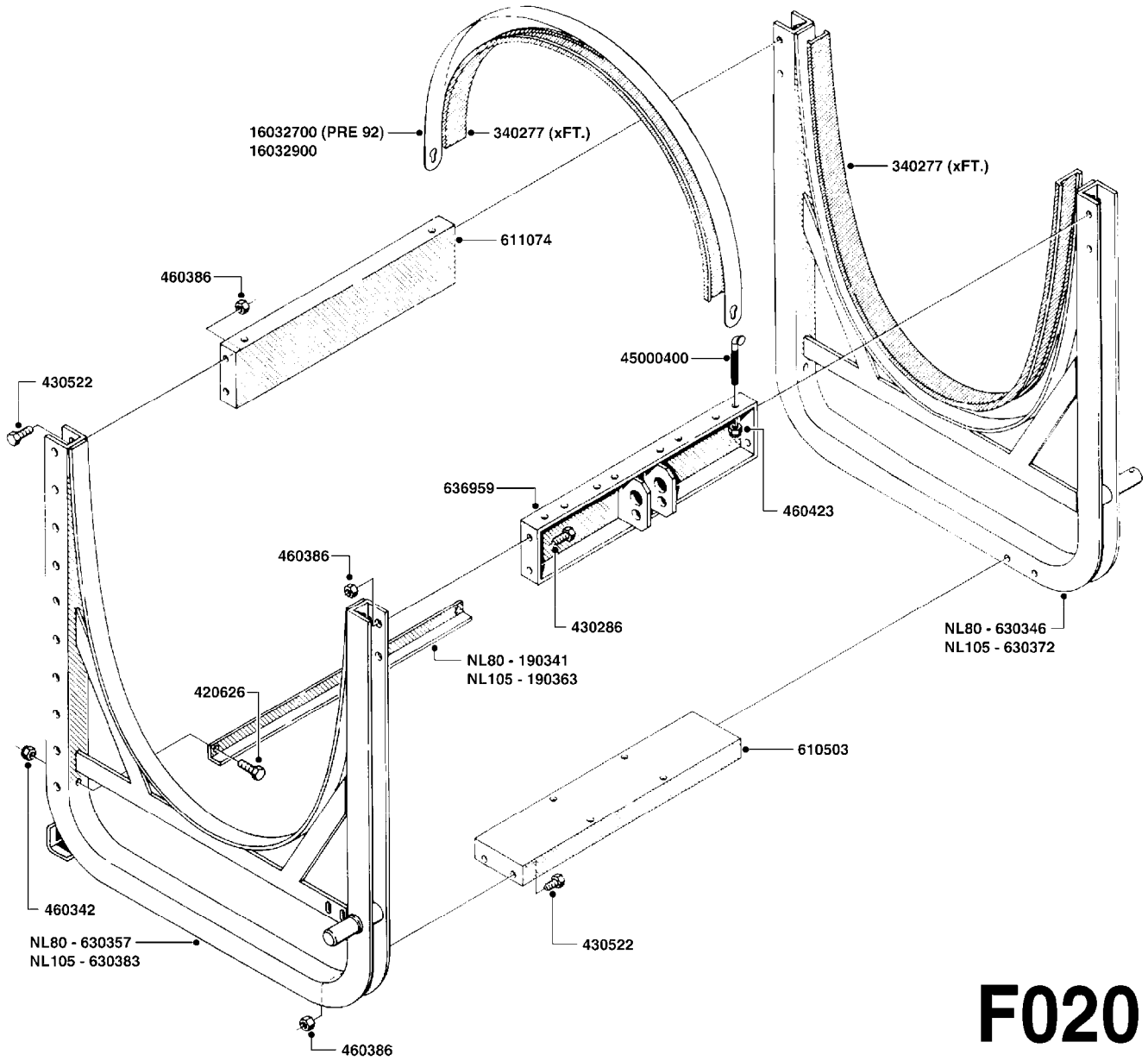
F010



FRAME LB 50
F010-HIN, 08:03:06

Page 1
Date 19.03.2013 9:51

parts-n°	order qty	description
169194	1	SHEILD LOWER F. BELT LB50
420626	1	BOLT HEX 8.8 DEL M10X20 FT
421061	1	BOLT HEX 8.8 DEL M10X100
430286	1	BOLT HEX 8.8 DEL M12X30 FT
430522	1	BOLT HEX 8.8 DEL M12X25 FT
460342	1	NUT HEX M10
460386	1	NUT HEX M12X1.75
460703	1	NUT HEX M12X1.75 LOCK
471071	1	WASHER M12 GALV
471072	1	WASHER M10 EL2
471097	1	WASHER D10 SAFETY
471122	1	WASHER D20/D10.5X2 SS
480742	1	PIN D8 SPLIT FOR TS
610864	1	SHAFT F.3PT HITCH BL53
610875	1	BRACKET TOP LINK BL25 FRAME
619184	1	3-POINT SUPPORT F.LB
630744	1	FRAME BL RIGHT
630755	1	FRAME BL LEFT
639153	1	PUMP SUPPORT LB



F020



FRAME - NL 80/105
F020-HIN, 12:12:05

Page 1

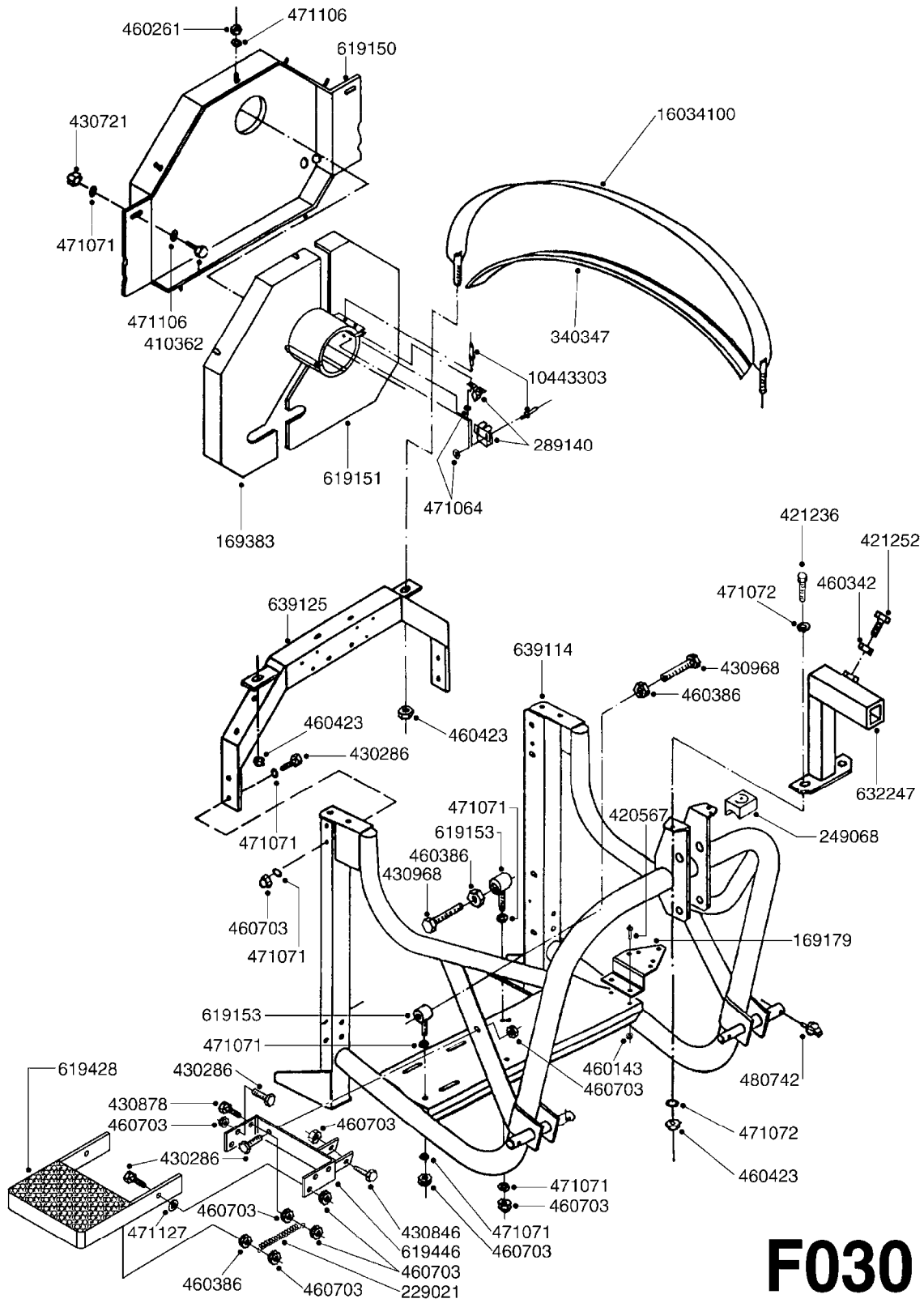
Date 19.03.2013 9:51

parts-n°	order qty	description
190341	1	CROSSBAR BOTTOM NL/NK 80
190363	1	CROSSBAR BOTTOM NL/NK 105/155
340277	1	TANK PACKING - 40mm WIDE x 12"
420626	1	BOLT HEX 8.8 DEL M10X20 FT
430286	1	BOLT HEX 8.8 DEL M12X30 FT
430522	1	BOLT HEX 8.8 DEL M12X25 FT
460342	1	NUT HEX M10
460386	1	NUT HEX M12X1.75
460423	1	NUT HEX M10X1.5 LOCK
610503	1	PUMP BASE NL/NK 80/105/155
611074	1	BRACKET CROSS NL/NK80/105/155
630346	1	FRAME NL 80 LEFT
630357	1	FRAME NL 80 RIGHT
630372	1	FRAME NL/NK 105 LEFT
630383	1	FRAME NL/NK 105 RIGHT
636959	1	TOP BAR BRACKET NK80/105
16032700	1	TANK STRAP 40X2.0 L=930
16032900	1	TANK STRAP NL80/105 L=1025
45000400	1	T-BOLT SPECIAL F.TANK STRAP ES



FRAME - LE/LE-SPV/LP 100/150
F030-HIN, 16:11:09

Page 0
Date 19.03.2013 9:51



F030

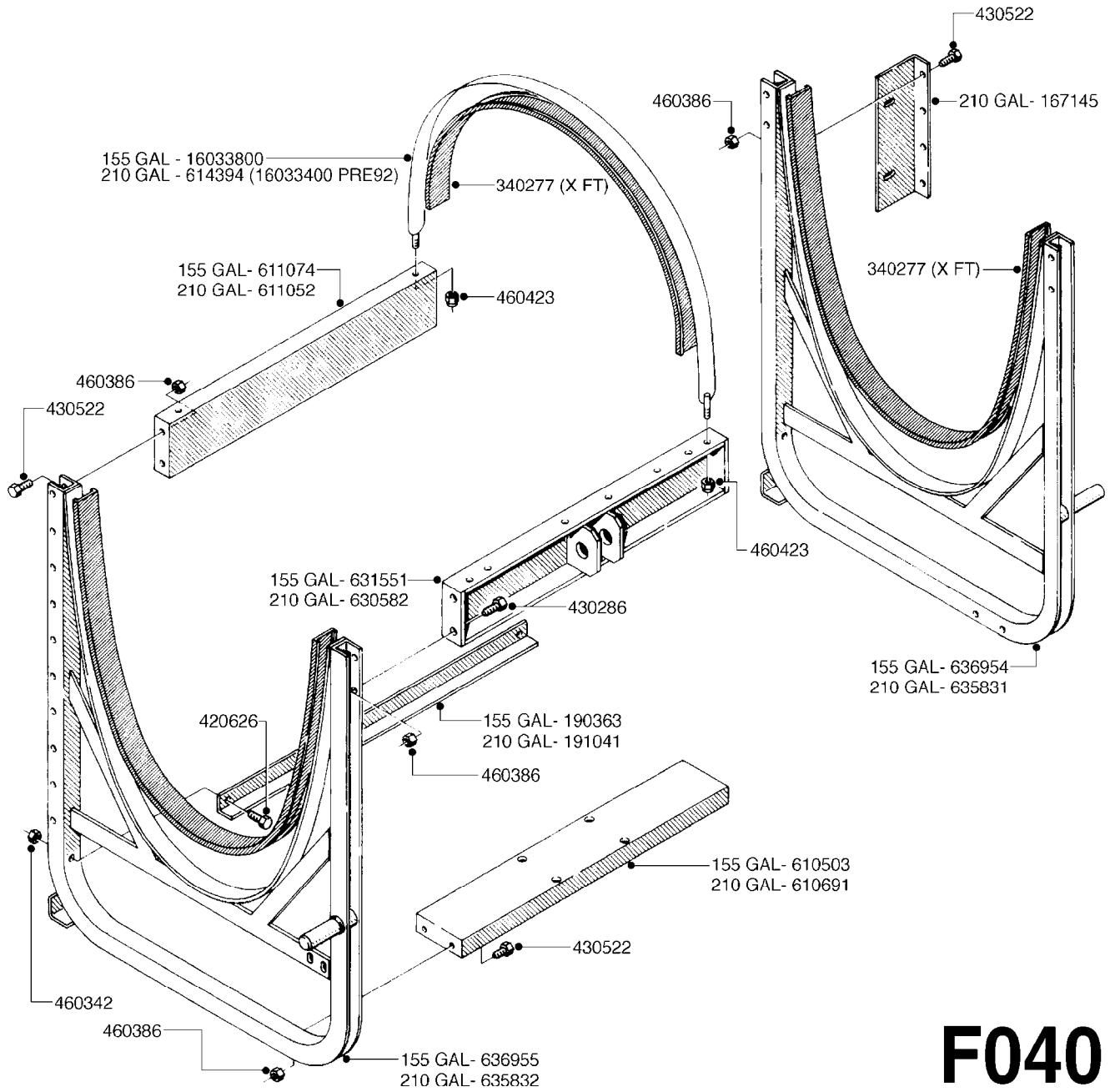


FRAME - LE/LE-SPV/LP 100/150
F030-HIN, 16:11:09

Page 1

Date 19.03.2013 9:51

parts-n°	order qty	description
169179	1	MOUNT BRKT SUCT. FILTER LE/LP
169383	1	BELT GUARD COVER PLATE LE-SPV
229021	1	SPRING F.STEP LE/LP
249068	1	RUBBER BLOCKS 63X63X29
289140	1	QUICK LOCK F.LE
340347	1	TANK STRAP PACK.40X750MM 29.5"
410362	1	BOLT HEX 8.8 DEL M6X20 FT
420567	1	BOLT HEX 8.8 DEL M8X30 FT
421236	1	BOLT HEX M10X25 GALV.
421252	1	SCREW M10X30 CAP
430286	1	BOLT HEX 8.8 DEL M12X30 FT
430721	1	BOLT HEX 8.8 DEL M12X40 FT
430846	1	BOLT HEX 8.8 DEL M12X80
430878	1	BOLT HEX 8.8 DEL M12X45
430968	1	SCREW M12X80 CAP
460143	1	NUT HEX M8 LOCK
460261	1	NUT HEX M6X1 LOCK
460342	1	NUT HEX M10
460386	1	NUT HEX M12X1.75
460423	1	NUT HEX M10X1.5 LOCK
460703	1	NUT HEX M12X1.75 LOCK
471064	1	WASHER D7/D3.2X0.5 STAINLESS
471071	1	WASHER M12 GALV
471072	1	WASHER M10 EL2
471106	1	WASHER D6
471127	1	WASHER D24/D13X2.5 STAINLESS
480742	1	PIN D8 SPLIT FOR TS
619150	1	BELT SHIELD LE-SPV LP
619151	1	BELT SHIELD LE-SPV LP
619153	1	PUMP BELT TIGHTENER
619428	1	STEP F.LE/LP
619446	1	STEP MOUNT BRACKET F.LE/LP
632247	1	POST F.OPERATING UNIT BK/LX-LY
639114	1	FRAME LEP 300-600 POLY
639125	1	TOP SUPPORT KIT-LE/LP
10443303	1	RIVET 1/8 DIA. X 3/8 LONG
16034100	1	TANK STRAP CM1200 L=65"



F040

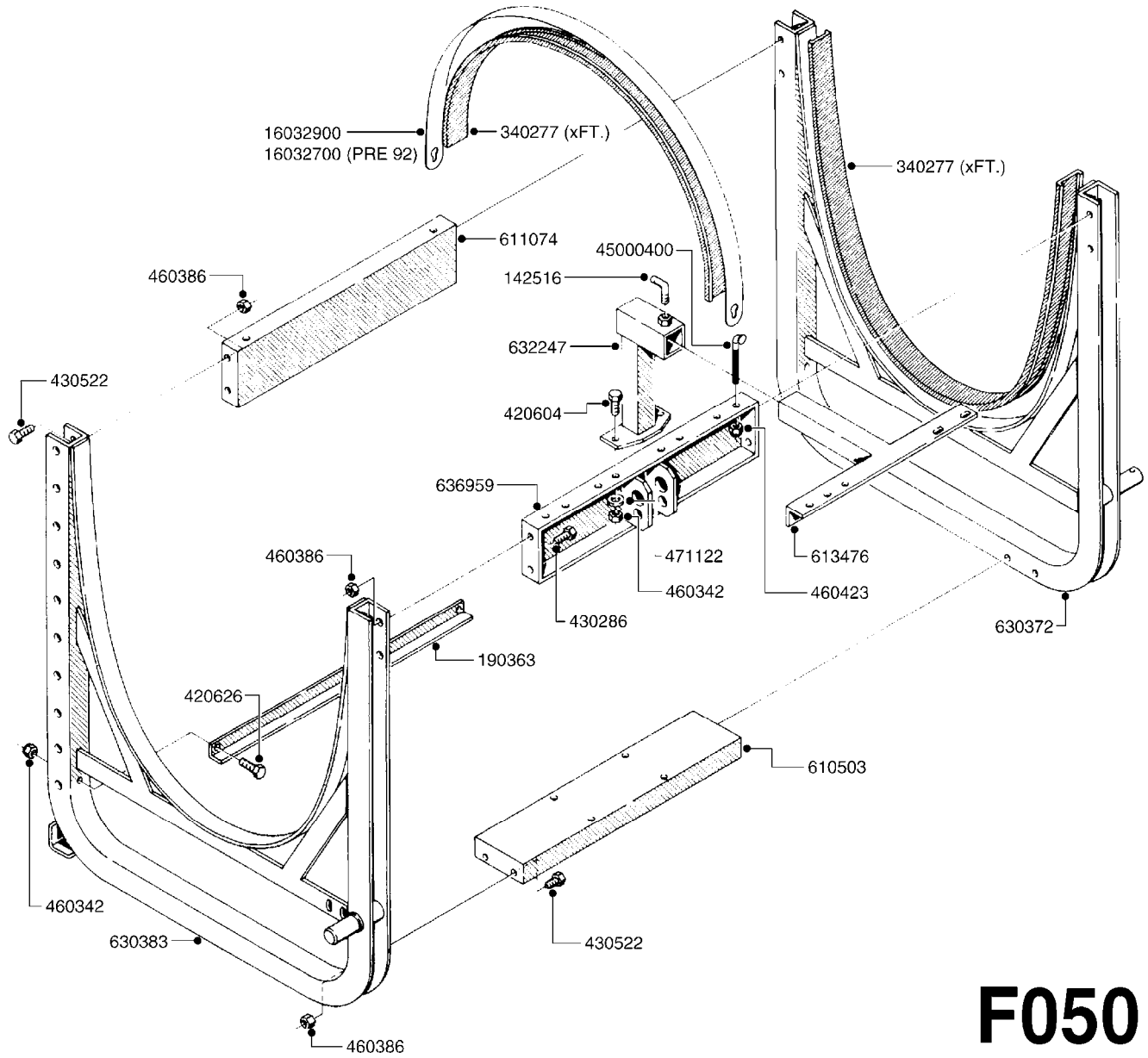


FRAME - NL 155/210
F040-HIN, 01:01:01

Page 1

Date 19.03.2013 9:51

parts-n°	order qty	description
16033400	1	TANK STRAP ES30/NK 80 '01
16033800	1	TANK STRAP NL155 L=1380MM '01
167145	1	BRKT. FOR S.B. BOOM NL/NK 210
190363	1	CROSSBAR BOTTOM NL/NK 105/155
191041	1	CROSSBAR BOTTOM NL/NK 210
340277	1	TANK PACKING - 40mm WIDE x 12"
420626	1	BOLT HEX 8.8 DEL M10X20 FT
430286	1	BOLT HEX 8.8 DEL M12X30 FT
430522	1	BOLT HEX 8.8 DEL M12X25 FT
460342	1	NUT HEX M10
460386	1	NUT HEX M12X1.75
460423	1	NUT HEX M10X1.5 LOCK
610503	1	PUMP BASE NL/NK 80/105/155
610691	1	PUMP BASE NL/NK 210
611052	1	BRACKET TOP CROSS NL/NK 210
611074	1	BRACKET CROSS NL/NK80/105/155
614394	1	TANK STRAP NK 210 L=
630582	1	TOP BAR CONNECTION NL/NK 210
631551	1	TOP BAR CONNECTION NL/NK 155
635831	1	FRAME NK 210 LEFT POST'92
635832	1	FRAME NK 210 RIGHT POST'92
636954	1	SIDE FRAME NK 600 LEFT
636955	1	SIDE FRAME NK 600 RIGHT



F050

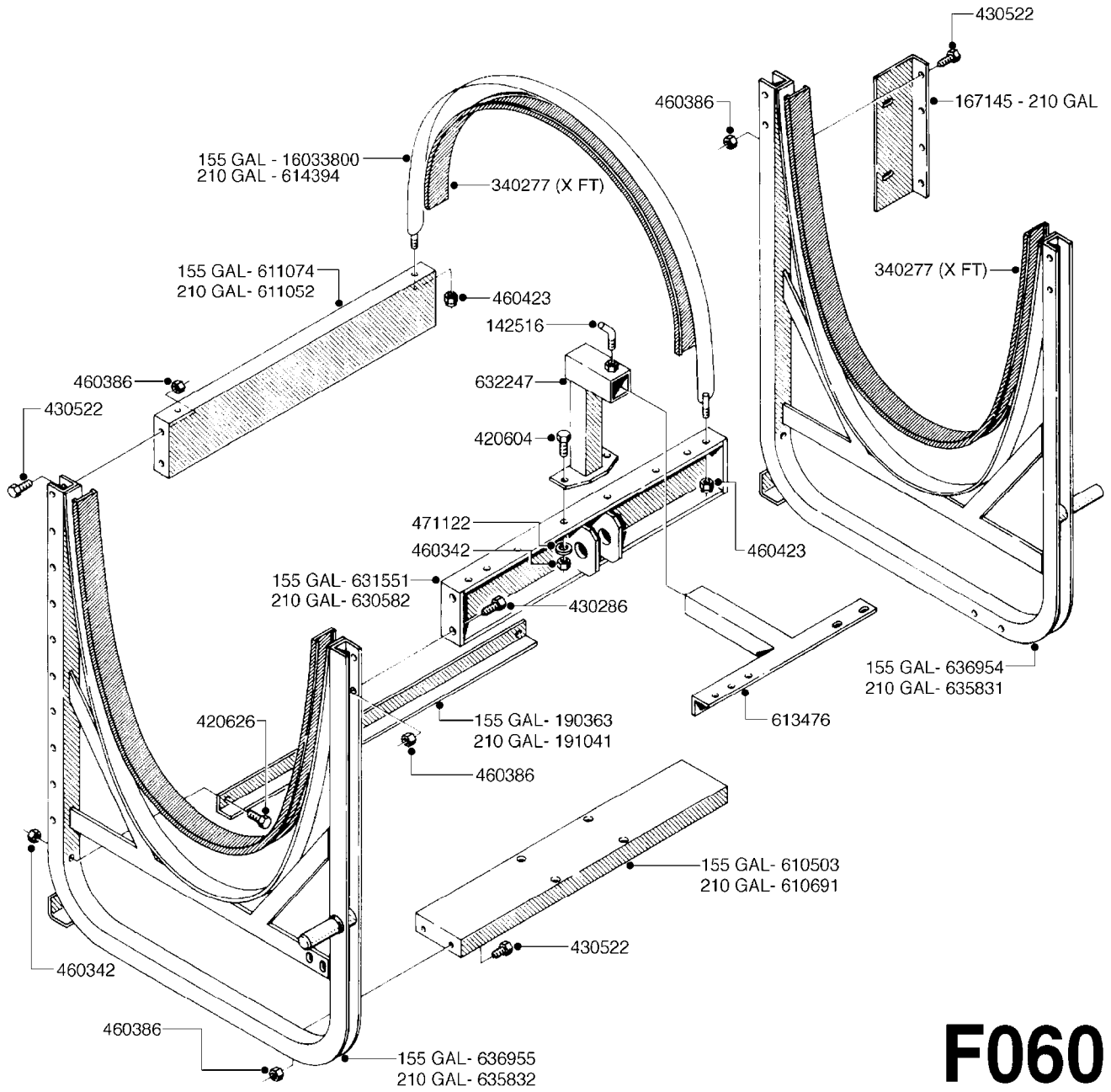


FRAME - NK 105
F050-HIN, 12:12:05

Page 1

Date 19.03.2013 9:51

parts-n°	order qty	description
142516	1	SCREW SET M10 BENT F. LOCKING
190363	1	CROSSBAR BOTTOM NL/NK 105/155
340277	1	TANK PACKING - 40mm WIDE x 12"
420604	1	BOLT HEX 8.8 DEL M10X25 FT
420626	1	BOLT HEX 8.8 DEL M10X20 FT
430286	1	BOLT HEX 8.8 DEL M12X30 FT
430522	1	BOLT HEX 8.8 DEL M12X25 FT
460342	1	NUT HEX M10
460386	1	NUT HEX M12X1.75
460423	1	NUT HEX M10X1.5 LOCK
471122	1	WASHER D20/D10.5X2 SS
610503	1	PUMP BASE NL/NK 80/105/155
611074	1	BRACKET CROSS NL/NK80/105/155
613476	1	BRACKET MOUNT F.BK180 CONTROL
630372	1	FRAME NL/NK 105 LEFT
630383	1	FRAME NL/NK 105 RIGHT
632247	1	POST F.OPERATING UNIT BK/LX-LY
636959	1	TOP BAR BRACKET NK80/105
16032700	1	TANK STRAP 40X2.0 L=930
16032900	1	TANK STRAP NL80/105 L=1025
45000400	1	T-BOLT SPECIAL F.TANK STRAP ES



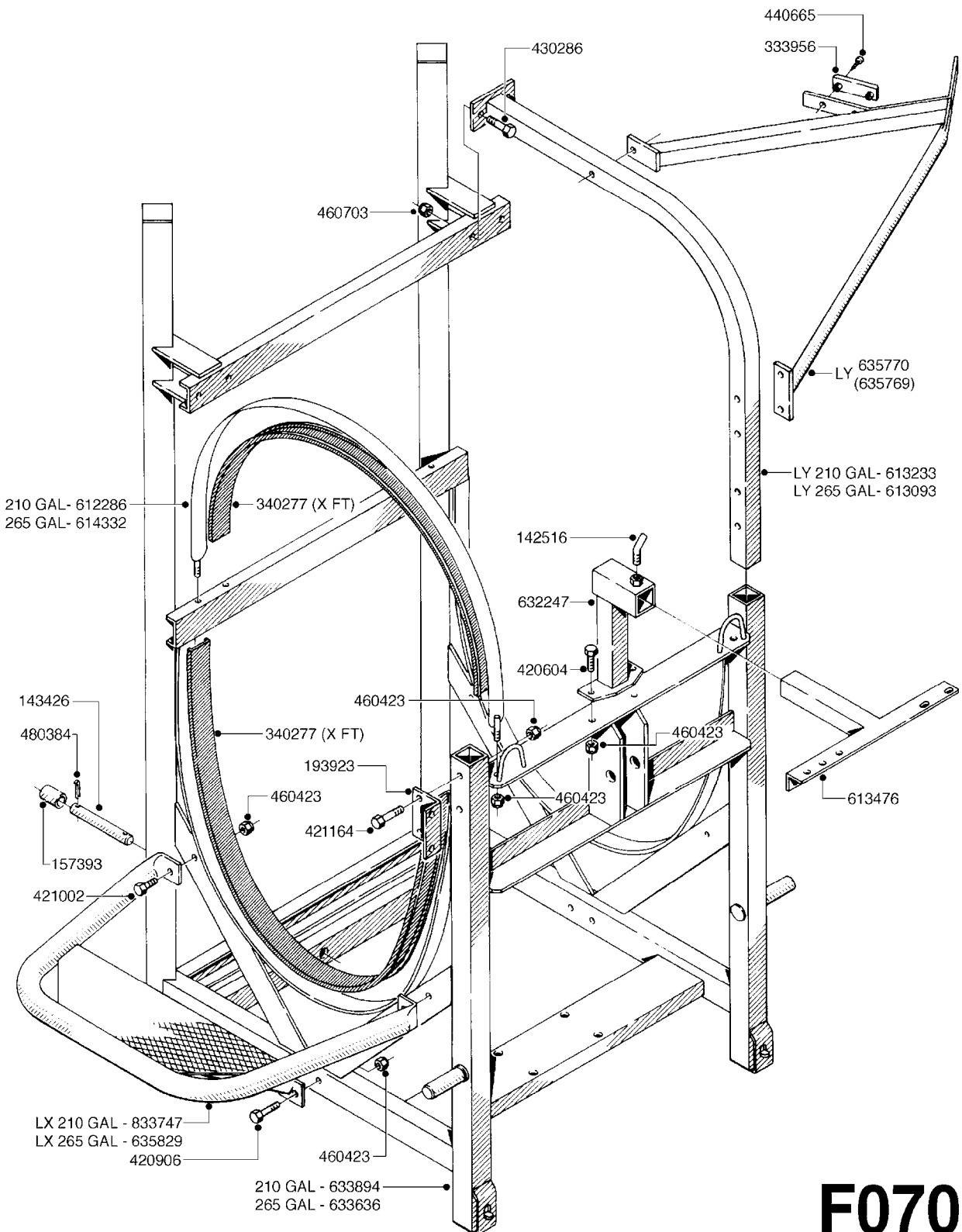
F060



FRAME NK 155/210
F060-HIN, 01:01:01

Page 1
Date 19.03.2013 9:51

parts-n°	order qty	description
142516	1	SCREW SET M10 BENT F. LOCKING
16033800	1	TANK STRAP NL155 L=1380MM '01
167145	1	BRKT. FOR S.B. BOOM NL/NK 210
190363	1	CROSSBAR BOTTOM NL/NK 105/155
191041	1	CROSSBAR BOTTOM NL/NK 210
340277	1	TANK PACKING - 40mm WIDE x 12"
420604	1	BOLT HEX 8.8 DEL M10X25 FT
420626	1	BOLT HEX 8.8 DEL M10X20 FT
430286	1	BOLT HEX 8.8 DEL M12X30 FT
430522	1	BOLT HEX 8.8 DEL M12X25 FT
460342	1	NUT HEX M10
460386	1	NUT HEX M12X1.75
460423	1	NUT HEX M10X1.5 LOCK
471122	1	WASHER D20/D10.5X2 SS
610503	1	PUMP BASE NL/NK 80/105/155
610691	1	PUMP BASE NL/NK 210
611052	1	BRACKET TOP CROSS NL/NK 210
611074	1	BRACKET CROSS NL/NK80/105/155
613476	1	BRACKET MOUNT F.BK180 CONTROL
614394	1	TANK STRAP NK 210 L=
630582	1	TOP BAR CONNECTION NL/NK 210
631551	1	TOP BAR CONNECTION NL/NK 155
632247	1	POST F.OPERATING UNIT BK/LX-LY
635831	1	FRAME NK 210 LEFT POST'92
635832	1	FRAME NK 210 RIGHT POST'92
636954	1	SIDE FRAME NK 600 LEFT
636955	1	SIDE FRAME NK 600 RIGHT



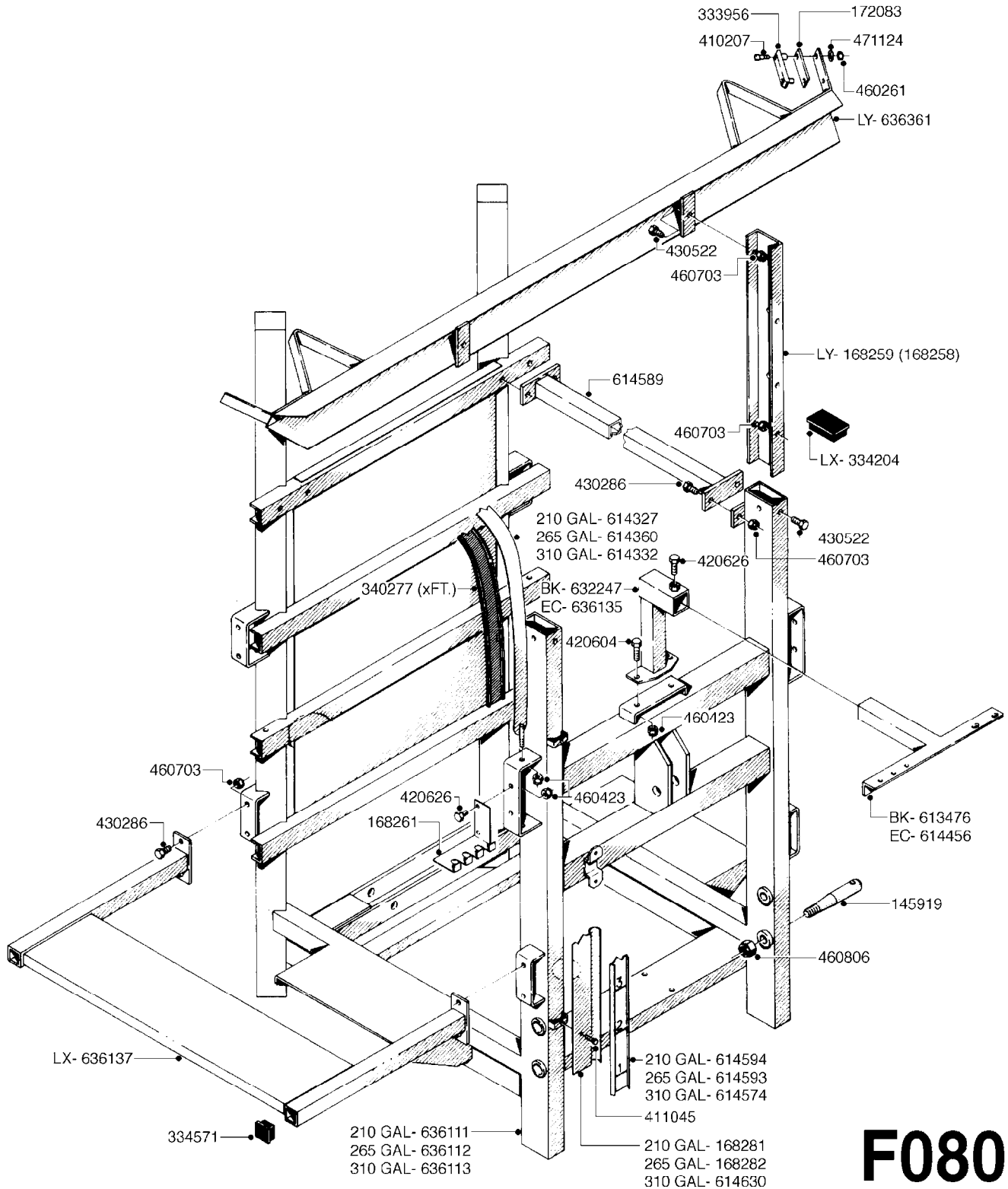
F070



FRAME LX/LY 210/265/ (PRE 88)
F070-HIN, 01:01:01

Page 1
Date 19.03.2013 9:51

parts-n°	order qty	description
142516	1	SCREW SET M10 BENT F. LOCKING
143426	1	PIN FOR HYD. CYL.
157393	1	BUSHING D25/D22X35
193923	1	ANGLE IRON FOR SCF LX/LY
333956	1	SLIDE SHOE 91X25X10
340277	1	TANK PACKING - 40mm WIDE x 12"
420604	1	BOLT HEX 8.8 DEL M10X25 FT
420906	1	BOLT HEX 8.8 DEL M10X60
421002	1	BOLT HEX 8.8 DEL M10X30 FT
421164	1	BOLT HEX 8.8 DEL M10X70
430286	1	BOLT HEX 8.8 DEL M12X30 FT
440665	1	SCREW M4.2X16 STAINLESS
460423	1	NUT HEX M10X1.5 LOCK
460703	1	NUT HEX M12X1.75 LOCK
480384	1	PIN COTTER D5X40
612286	1	STRAP FOR TANK L=1450
613093	1	BRACE UPPER F.LX/LY 265
613233	1	BRACE UPPER F.LX/LY 210
613476	1	BRACKET MOUNT F.BK180 CONTROL
614332	1	TANK STRAP LX/LY L= 1570MM
632247	1	POST F.OPERATING UNIT BK/LX-LY
633636	1	FRAME LX/LY 265
633894	1	FRAME LX/LY 210
635769	1	TRANSPORT ARM RIGHT LY210/265
635770	1	TRANSPORT ARM LEFT LY210/265
635829	1	FOOT BOARD LX 265
833747	1	STEP LX 230



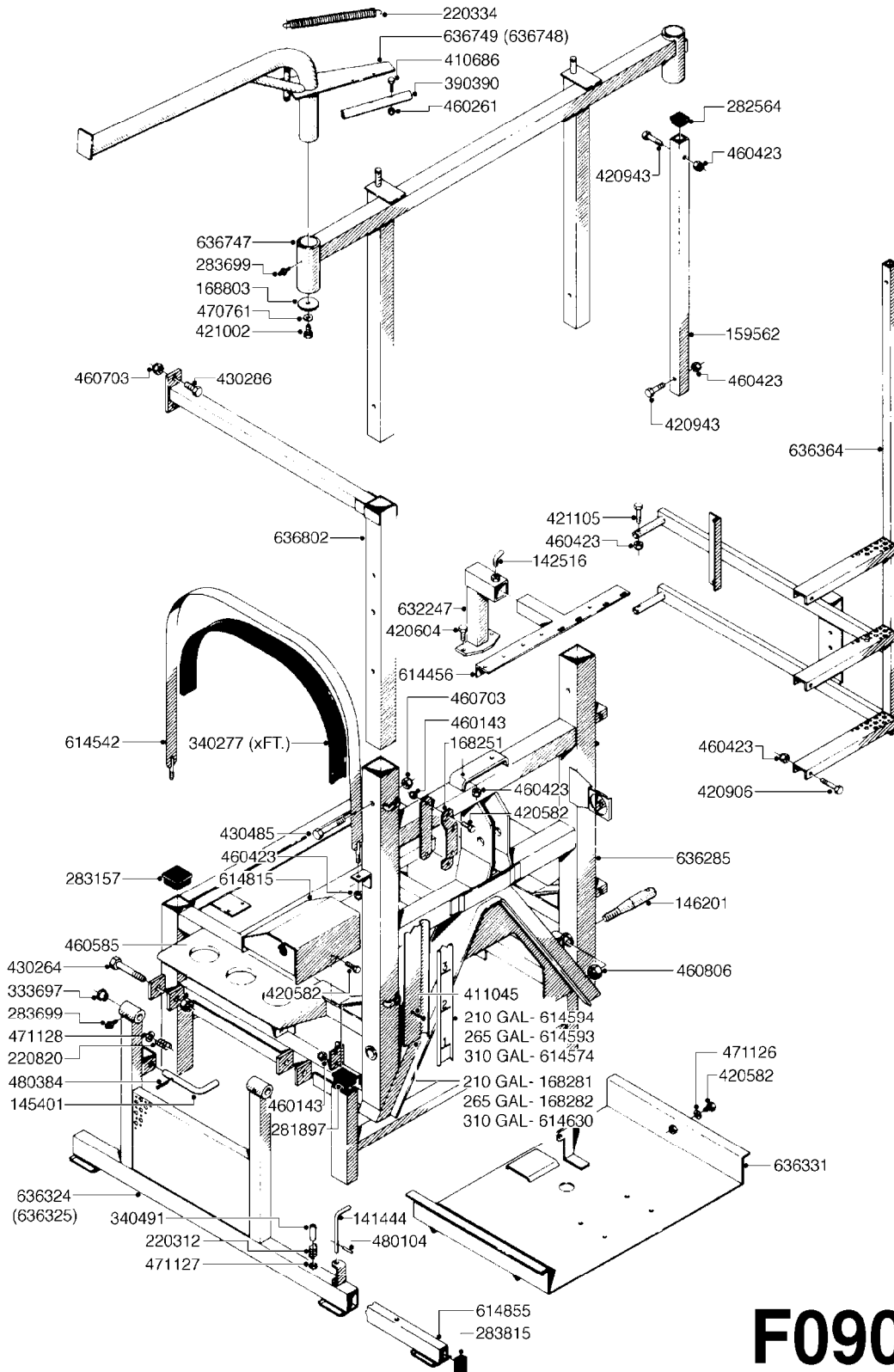
F080



FRAME LX/LY210/265/310 POST88
F080-HIN, 01:01:01

Page 1
Date 19.03.2013 9:51

parts-n°	order qty	description
145919	1	PIN LOWER LINK CAT 2 LA210/310
168258	1	TRANS. BRCKT SUPPORT LH LX/LY
168259	1	TRANS. BRCKT SUPPORT RH LX/LY
168261	1	BRACKET FOR HYD HOSE
168281	1	HOLDER F.HOSE LEVEL IND.LX210
168282	1	HOLDER F.HOSE LEVEL IND.LX265
172083	1	.
333956	1	SLIDE SHOE 91X25X10
334204	1	STOPPER 90X50
334571	1	PLUG 40X40X2 F.SQ.TUBE
340277	1	TANK PACKING - 40mm WIDE x 12"
410207	1	BOLT HEX 8.8 DEL M6X25 SLOT
411045	1	SCREW M4 X 16MM STAINLESS
420604	1	BOLT HEX 8.8 DEL M10X25 FT
420626	1	BOLT HEX 8.8 DEL M10X20 FT
430286	1	BOLT HEX 8.8 DEL M12X30 FT
430522	1	BOLT HEX 8.8 DEL M12X25 FT
460261	1	NUT HEX M6X1 LOCK
460423	1	NUT HEX M10X1.5 LOCK
460703	1	NUT HEX M12X1.75 LOCK
460806	1	NUT HEX M20X2.5 LOCK
471124	1	WASHER D18/D6.4x1.6
613476	1	BRACKET MOUNT F.BK180 CONTROL
614327	1	TANK STRAP LX/LY 210 L=1480
614332	1	TANK STRAP LX/LY L= 1570MM
614360	1	TANK STRAP LX/LY 265 L=1745
614456	1	BRACKET F.EC 3&4 BANK VALVES
614574	1	DECAL SCALE F.365 G TANK
614589	1	BRACE UPPER F. LX/LY
614593	1	DECAL SCALE F.265 G TANK
614594	1	DECAL SCALE F.210 G TANK
614630	1	HOLDER F.HOSE LEVEL IND.LX310
632247	1	POST F.OPERATING UNIT BK/LX-LY
636111	1	FRAME FOR LX 210
636112	1	FRAME FOR LX 265
636113	1	FRAME FOR LX 310
636135	1	POST FOR EC UNIT TMS/TR
636137	1	.
636361	1	TRANSPORT YOKE 12&15 HYA



F090



FRAME TWIN LA210/265/310 PRE93
F090-HIN, 01:01:01

Page 1
Date 19.03.2013 9:51

parts-n°	order qty	description
141444	1	HANDLE D10X175
142516	1	SCREW SET M10 BENT F. LOCKING
145401	1	PAWL
146201	1	SUPPORT.PIN F/1200L TANK FRAME
159562	1	CON TUBE LADDER TRANS BRACKET
168251	1	BRACKET F. SELF CLEAN FILTER
168281	1	HOLDER F.HOSE LEVEL IND.LX210
168282	1	HOLDER F.HOSE LEVEL IND.LX265
168803	1	SPACER D61/11 X 6.3MM
220312	1	SPRING
220334	1	SPRING DRAW
220820	1	SPRING D20.5/2.0 0-50MM
281897	1	COVER PLUG
282564	1	PLUG 35MM SQ.BLACK
283157	1	PLUG F.DRAIN 60X60X4
283699	1	GREASE NIPPLE M6X1
283815	1	PLUG 50X30MMX2.6 BLACK
333697	1	BUSHING D22/D16x25
340277	1	TANK PACKING - 40mm WIDE x 12"
340491	1	BUSHING PVC D15 X 32
390390	1	EDGE PROTECTOR TWIN TRANS.
410686	1	BOLT HEX 8.8 DEL M6X30
411045	1	SCREW M4 X 16MM STAINLESS
420582	1	BOLT HEX 8.8 DEL M8X20 FT
420604	1	BOLT HEX 8.8 DEL M10X25 FT
420906	1	BOLT HEX 8.8 DEL M10X60
420943	1	BOLT HEX 8.8 DEL M10X50
421002	1	BOLT HEX 8.8 DEL M10X30 FT
421105	1	BOLT HEX 8.8 DEL M10X45 FT
430264	1	BOLT HEX 8.8 DEL M16X100
430286	1	BOLT HEX 8.8 DEL M12X30 FT
430485	1	BOLT HEX 8.8 DEL M12X90
460143	1	NUT HEX M8 LOCK
460261	1	NUT HEX M6X1 LOCK
460423	1	NUT HEX M10X1.5 LOCK
460585	1	NUT HEX M16X2 LOCK
460703	1	NUT HEX M12X1.75 LOCK
460806	1	NUT HEX M20X2.5 LOCK
470761	1	WASHER D10 LOCK
471126	1	WASHER D16/D8.4X1.6 SS
471127	1	WASHER D24/D13X2.5 STAINLESS
471128	1	WASHER D30/D17X3
480104	1	PIN RETAINING M3X16 GALV.
480384	1	PIN COTTER D5X40
614456	1	BRACKET F.EC 3&4 BANK VALVES
614542	1	TANK STRAP LA 210/265/310 95"
614574	1	DECAL SCALE F.365 G TANK
614593	1	DECAL SCALE F.265 G TANK
614594	1	DECAL SCALE F.210 G TANK
614630	1	HOLDER F.HOSE LEVEL IND.LX310
614815	1	GUARD
614855	1	EXTENTION F.SUPPORT LEG
632247	1	POST F.OPERATING UNIT BK/LX-LY
636285	1	TANK FRAME LA 210/265/310 TWIN
636324	1	SUPPORT LEG RIGHT
636325	1	SUPOORT LEG LEFT HAB
636331	1	DRAWER FOR 18M HAB
636364	1	LADDER F. TWIN LA 210/265/310
636747	1	TRANSPORT BKT.F.HAB
636748	1	TRANS.SWING ARM F.TWIN LEFT
636749	1	TRANS.SWING ARM F.TWIN RIGHT

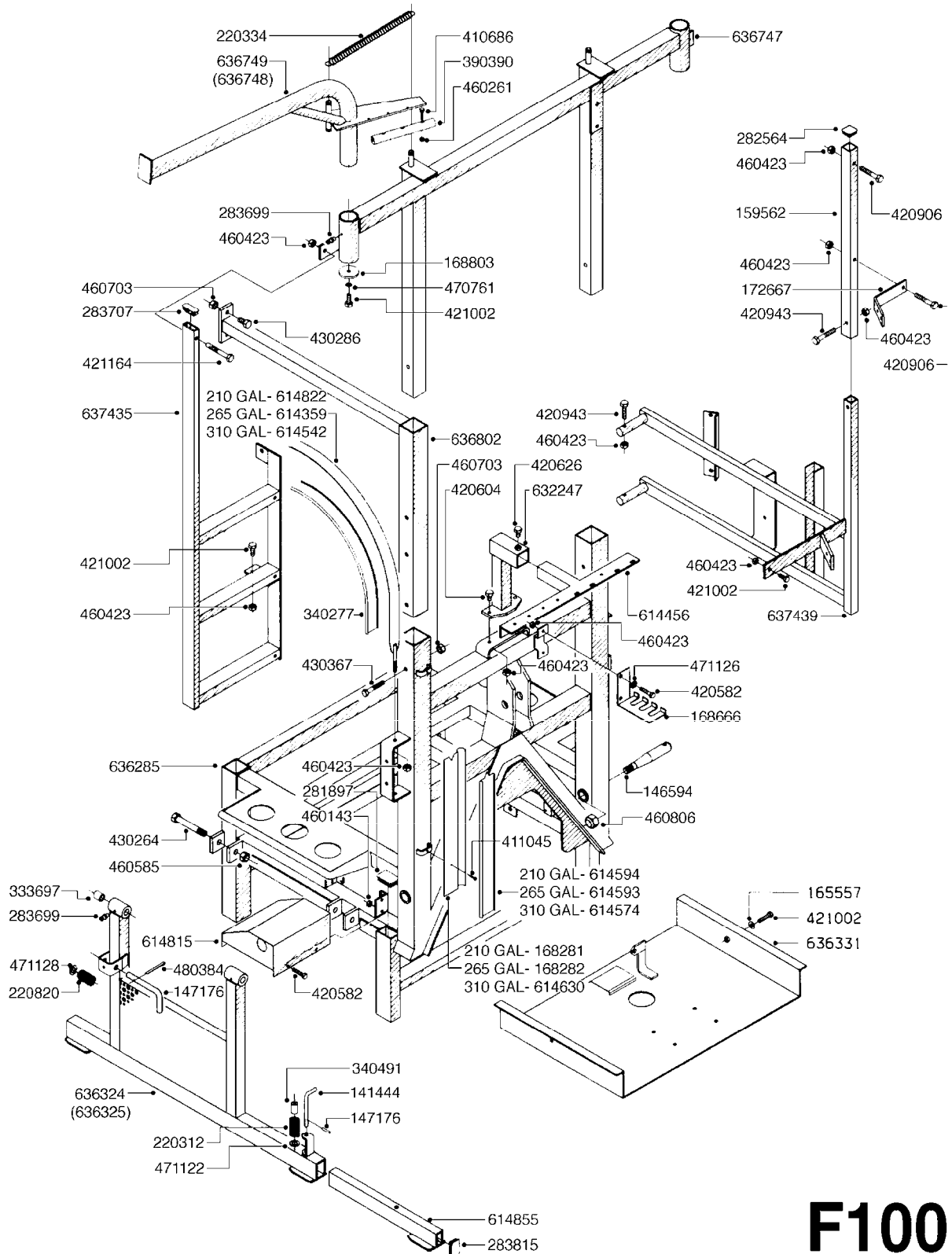


FRAME TWIN LA210/265/310 PRE93
F090-HIN, 01:01:01

Page 2

Date 19.03.2013 9:51

parts-n°	order qty	description
636802	1	CLAMP FOR TANK HAB



F100



FRAME TWIN LA210/265/310POST93
F100-HIN, 01:01:01

Page 1

Date 19.03.2013 9:51

parts-n°	order qty	description
141444	1	HANDLE D10X175
146594	1	SUPPORTING PIN F.8-1200L TWIN
147176	1	LOCKIN PAWL Ø16 - 90MM 2XØ5
159562	1	CON TUBE LADDER TRANS BRACKET
165557	1	WASHER D28.0/D12.2X2.0 SS
168281	1	HOLDER F.HOSE LEVEL IND.LX210
168282	1	HOLDER F.HOSE LEVEL IND.LX265
168666	1	BRACKET FOR HYDR-HOSES
168803	1	SPACER D61/11 X 6.3MM
172667	1	FLAT ST. 40X6 L=250/2XD9/D11
220312	1	SPRING
220334	1	SPRING DRAW
220820	1	SPRING D20.5/2.0 0-50MM
281897	1	COVER PLUG
282564	1	PLUG 35MM SQ.BLACK
283699	1	GREASE NIPPLE M6X1
283707	1	PLUG 50X20X2
283815	1	PLUG 50X30MMX2.6 BLACK
333697	1	BUSHING D22/D16x25
340277	1	TANK PACKING - 40mm WIDE x 12"
340491	1	BUSHING PVC D15 X 32
390390	1	EDGE PROTECTOR TWIN TRANS.
410686	1	BOLT HEX 8.8 DEL M6X30
411045	1	SCREW M4 X 16MM STAINLESS
420582	1	BOLT HEX 8.8 DEL M8X20 FT
420604	1	BOLT HEX 8.8 DEL M10X25 FT
420626	1	BOLT HEX 8.8 DEL M10X20 FT
420906	1	BOLT HEX 8.8 DEL M10X60
420943	1	BOLT HEX 8.8 DEL M10X50
421002	1	BOLT HEX 8.8 DEL M10X30 FT
421164	1	BOLT HEX 8.8 DEL M10X70
430264	1	BOLT HEX 8.8 DEL M16X100
430286	1	BOLT HEX 8.8 DEL M12X30 FT
430367	1	BOLT HEX 8.8 DEL M12X100
460143	1	NUT HEX M8 LOCK
460261	1	NUT HEX M6X1 LOCK
460423	1	NUT HEX M10X1.5 LOCK
460585	1	NUT HEX M16X2 LOCK
460703	1	NUT HEX M12X1.75 LOCK
460806	1	NUT HEX M20X2.5 LOCK
470761	1	WASHER D10 LOCK
471122	1	WASHER D20/D10.5X2 SS
471126	1	WASHER D16/D8.4X1.6 SS
471128	1	WASHER D30/D17X3
480384	1	PIN COTTER D5X40
614359	1	TANK STRAP LA265 L=81.5"
614456	1	BRACKET F.EC 3&4 BANK VALVES
614542	1	TANK STRAP LA 210/265/310 95"
614574	1	DECAL SCALE F.365 G TANK
614593	1	DECAL SCALE F.265 G TANK
614594	1	DECAL SCALE F.210 G TANK
614630	1	HOLDER F.HOSE LEVEL IND.LX310
614815	1	GUARD
614822	1	TANK STRAP WELDED L=71"
614855	1	EXTENTION F.SUPPORT LEG
632247	1	POST F.OPERATING UNIT BK/LX-LY
636285	1	TANK FRAME LA 210/265/310 TWIN
636324	1	SUPPORT LEG RIGHT
636325	1	SUPOORT LEG LEFT HAB
636331	1	DRAWER FOR 18M HAB
636747	1	TRANSPORT BKT.F.HAB

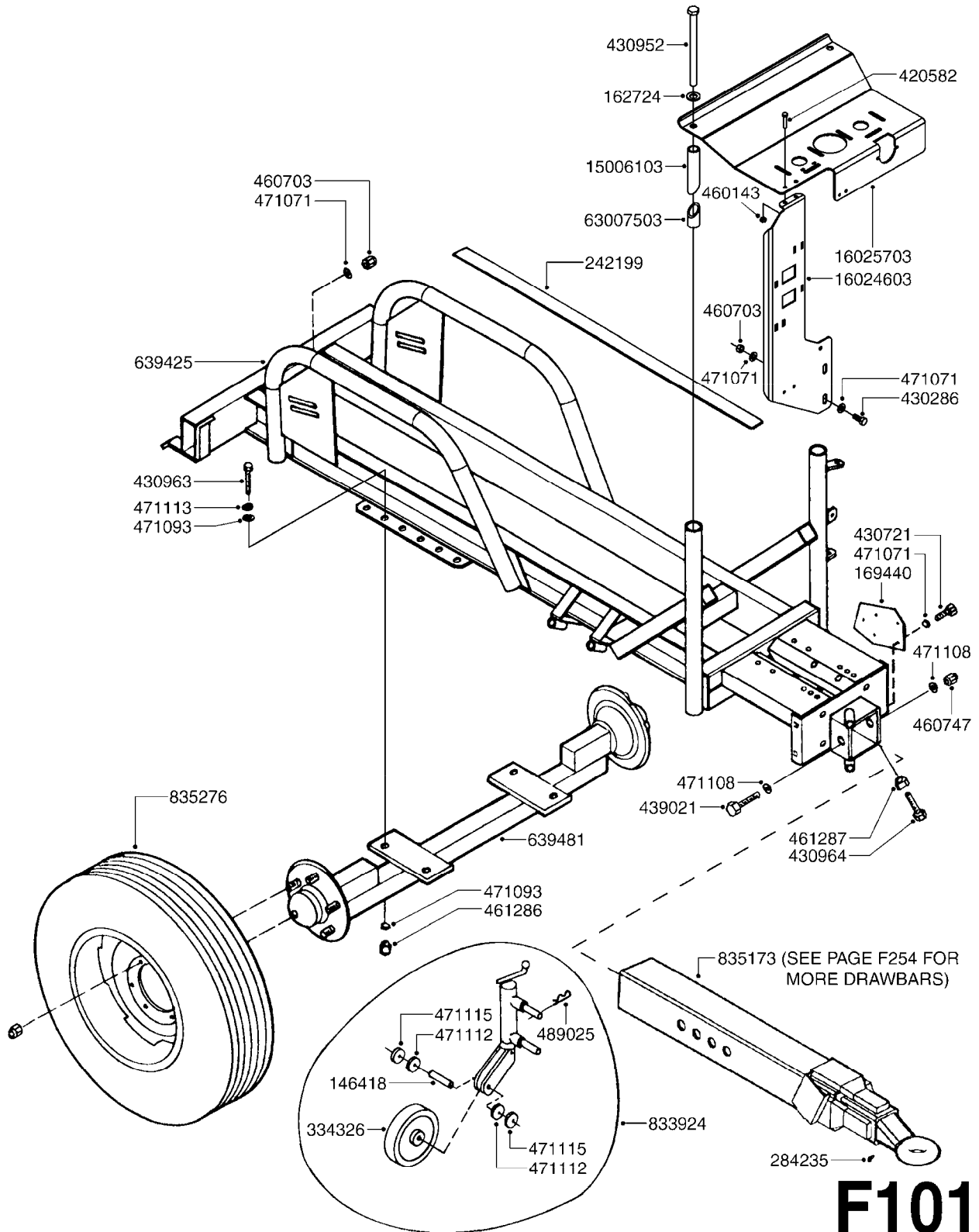


FRAME TWIN LA210/265/310POST93
F100-HIN, 01:01:01

Page 2

Date 19.03.2013 9:51

parts-n°	order qty	description
636748	1	TRANS.SWING ARM F.TWIN LEFT
636749	1	TRANS.SWING ARM F.TWIN RIGHT
636802	1	CLAMP FOR TANK HAB
637435	1	LADDER FOR LA
637439	1	BRACKET F VALVE MANIF LA 93

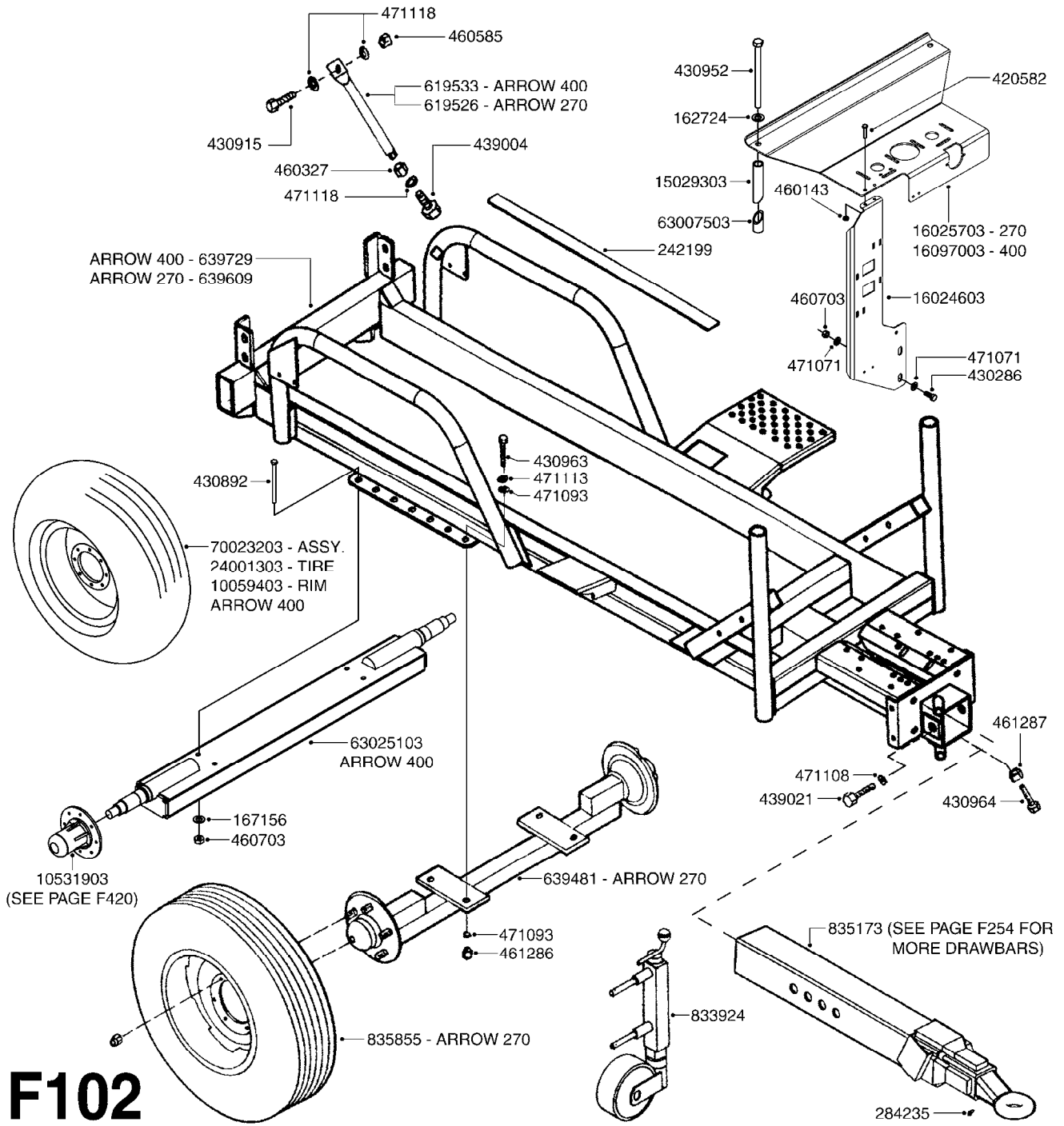




FRAME - ARROW 270
F101-HIN, 12:12:05

Page 1
Date 19.03.2013 9:51

parts-n°	order qty	description
146418	1	SHAFT FOR SUPPORT WHEEL
162724	1	WASHER D25/D18.1X1
169440	1	BRACKET F.SUCTION FILTER
242199	1	TANK FRAME PACKING 1300X45X3
284235	1	GREASE NIPPLE M 6/100
334326	1	WHEEL PLASTIC
420582	1	BOLT HEX 8.8 DEL M8X20 FT
430286	1	BOLT HEX 8.8 DEL M12X30 FT
430721	1	BOLT HEX 8.8 DEL M12X40 FT
430952	1	BOLT HEX M16X220 DIN931-8.8 DE
430963	1	BOLT HEX M14X40
430964	1	BOLT HEX M18X50
439021	1	BOLT HEX 8.8 DEL M24X160 GALV.
460143	1	NUT HEX M8 LOCK
460703	1	NUT HEX M12X1.75 LOCK
460747	1	NUT HEX M24 LOCK
461286	1	NUT M14 SAFETY
461287	1	NUT HEX M18
471071	1	WASHER M12 GALV
471093	1	WASHER D14 GALV. (168873)
471108	1	WASHER D44D25X4.5
471112	1	WASHER D20
471113	1	WASHER D14 TENSION
471115	1	WASHER D20
489025	1	"R" PIN D.4
639425	1	FRAME - ARROW 270
639481	1	AXLE - FIXED/ARROW
833924	1	JACK WITH TRANSPORT WHEEL
835173	1	DRAWBAR RING HITCH ARROW
835276	1	WHEELS 10/80-12 8PR"I"PACK CPL
15006103	1	TUBE ARROW170 alt 15029303
16024603	1	SUPPORT HYD VALVE MISTBLOWER
16025703	1	BRACKET MANIFOLD ARROW 270
63007503	1	TUBE CLAMP 1.5" DIA ARROW



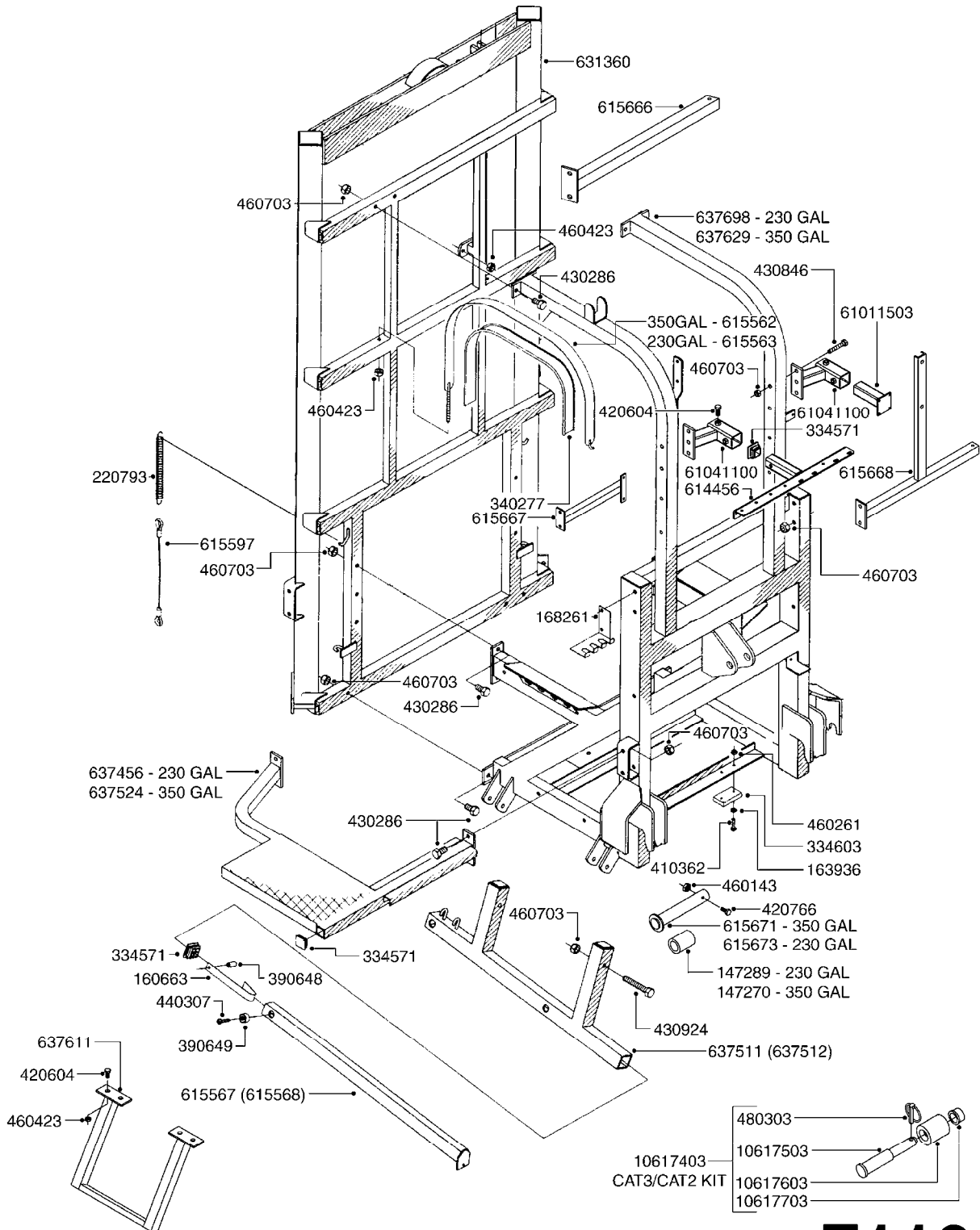
F102



FRAME - ARROW 270/400 '05
F102-HIN, 04:11:10

Page 1
Date 19.03.2013 9:51

parts-n°	order qty	description
162724	1	WASHER D25/D18.1X1
167156	1	WASHER D46.5/D12.4X2.5
242199	1	TANK FRAME PACKING 1300X45X3
284235	1	GREASE NIPPLE M 6/100
420582	1	BOLT HEX 8.8 DEL M8X20 FT
430286	1	BOLT HEX 8.8 DEL M12X30 FT
430892	1	BOLT HEX 8.8 DEL M12X110
430915	1	BOLT HEX 8.8 DEL M16X70
430952	1	BOLT HEX M16X220 DIN931-8.8 DE
430963	1	BOLT HEX M14X40
430964	1	BOLT HEX M18X50
439004	1	BOLT HEX M16 X 100 GALV.
439021	1	BOLT HEX 8.8 DEL M24X160 GALV.
460143	1	NUT HEX M8 LOCK
460327	1	NUT HEX M16X2
460585	1	NUT HEX M16X2 LOCK
460703	1	NUT HEX M12X1.75 LOCK
461286	1	NUT M14 SAFETY
461287	1	NUT HEX M18
471071	1	WASHER M12 GALV
471093	1	WASHER D14 GALV. (168873)
471108	1	WASHER D44D25X4.5
471113	1	WASHER D14 TENSION
471118	1	WASHER D16 TENSION
619526	1	BRACE ARM 295MM ARROW 270
619533	1	BRACE ARM 234MM ARROW 400
639481	1	AXLE - FIXED/ARROW
639609	1	FRAME - ARROW 270 PLUS
639729	1	FRAME - ARROW 400 PLUS
833924	1	JACK WITH TRANSPORT WHEEL
835173	1	DRAWBAR RING HITCH ARROW
835855	1	TIRE PGK ARRW 26X12-12PLY PAIR
10059403	1	RIM 15X10 X 8-8-6 +1.062OFFSET
10531903	1	HUB ASSY.COMP.F.2-1/8" SPINDLE
15029303	1	TUBE ID CLAMP 1.5" Ø ARROW 250
16024603	1	SUPPORT HYD VALVE MISTBLOWER
16025703	1	BRACKET MANIFOLD ARROW 270
16097003	1	BRACKET MANIFOLD ARROW 400
24001303	1	TIRE 12.5L-15SL 12 PLY
63007503	1	TUBE CLAMP 1.5" DIA ARROW
63025103	1	AXLE WELDMENT FIXD ARROW 400
70023203	1	TIRE ASSY 12.5L-15 12PLY8-8-6



F110

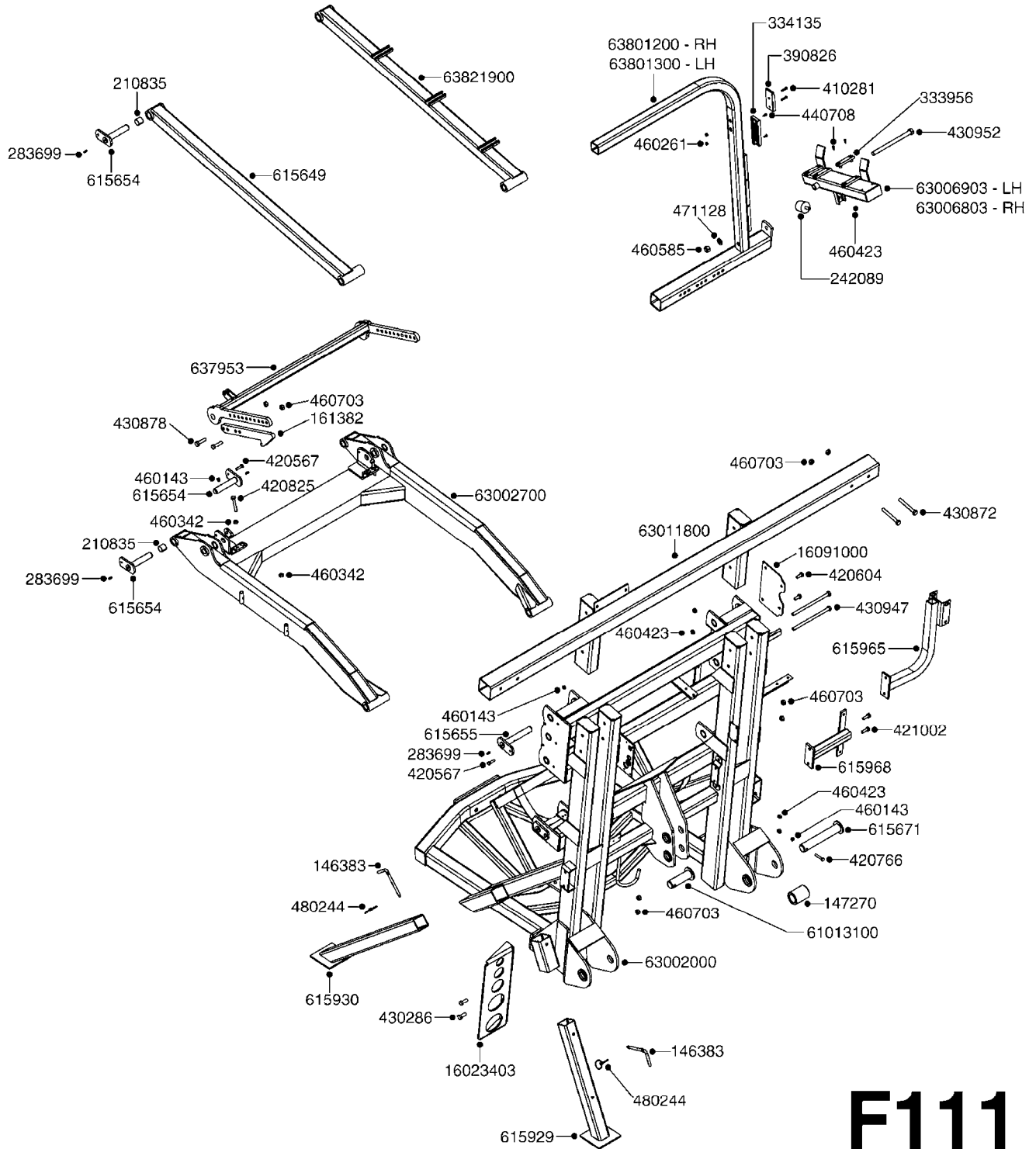


FRAME MEGA 230/350
F110-HIN, 30:03:10

Page 1

Date 19.03.2013 9:51

parts-n°	order qty	description
147270	1	BUSHING 60/38 L=80MM
147289	1	BUSHING 60/30 L=80MM
160663	1	SPRING F. SUPPORT LOCK
163936	1	WASHER D15/D6.2X1
168261	1	BRACKET FOR HYD HOSE
220793	1	SPRING D21/D4X250MM
334571	1	PLUG 40X40X2 F.SQ.TUBE
334603	1	RUBBER STOP 86X48X15
340277	1	TANK PACKING - 40mm WIDE x 12"
390648	1	SUPPORT LOCK (LOWER) F. MEGA
390649	1	SUPPORT LOCK (UPPER) F. MEGA
410362	1	BOLT HEX 8.8 DEL M6X20 FT
420604	1	BOLT HEX 8.8 DEL M10X25 FT
420766	1	BOLT HEX 8.8 DEL M8X45
430286	1	BOLT HEX 8.8 DEL M12X30 FT
430846	1	BOLT HEX 8.8 DEL M12X80
430924	1	BOLT HEX 8.8 DEL M12 X 85
440307	1	SCREW SHEET-METAL 3/4" NO. 10
460143	1	NUT HEX M8 LOCK
460261	1	NUT HEX M6X1 LOCK
460423	1	NUT HEX M10X1.5 LOCK
460703	1	NUT HEX M12X1.75 LOCK
480303	1	PIN 7/16 SNAP RING
614456	1	BRACKET F.EC 3&4 BANK VALVES
615562	1	TANK STRAP MEGA
615563	1	tank strap for a Mega 230
615567	1	SUPPORT TUBE (INNER) MEGA RIGHT
615568	1	SUPPORT TUBE (INNER) MEGA LEFT
615597	1	CABLE D3X395MM F.MEGA LEG
615666	1	MOUNT BRACKET F.MANIFOLD MEGA
615667	1	.
615668	1	MOUNT BKT.F.CLEAN WATER MEGA
615671	1	PIN LOWER LINK CAT 3 F.MEGA350
615673	1	PIN 28MM LOWER LINK F.MEGA 230
631360	1	UPRIGHT MEGA EAGLE
637456	1	FOOT BOARD, MEGA 230
637511	1	SUPPORT LEG FOR MEGA RIGHT
637512	1	SUPPORT LEG FOR MEGA LEFT
637524	1	FOOT BOARD, MEGA 350
637611	1	---
637629	1	FRAME F.MEGA 350
637698	1	.
10617403	1	KIT CAT2 MEGA 350
10617503	1	PIN LOWER HITCH FOR CAT2/3
10617603	1	SPACER F. HITCH PIN CAT2/3
10617703	1	BUSHING F. HITCH PIN CAT2/3
61011503	1	PRESSURE REGULATOR MOUNT BRKT.
61041100	1	CONTROL POST F. MEGA



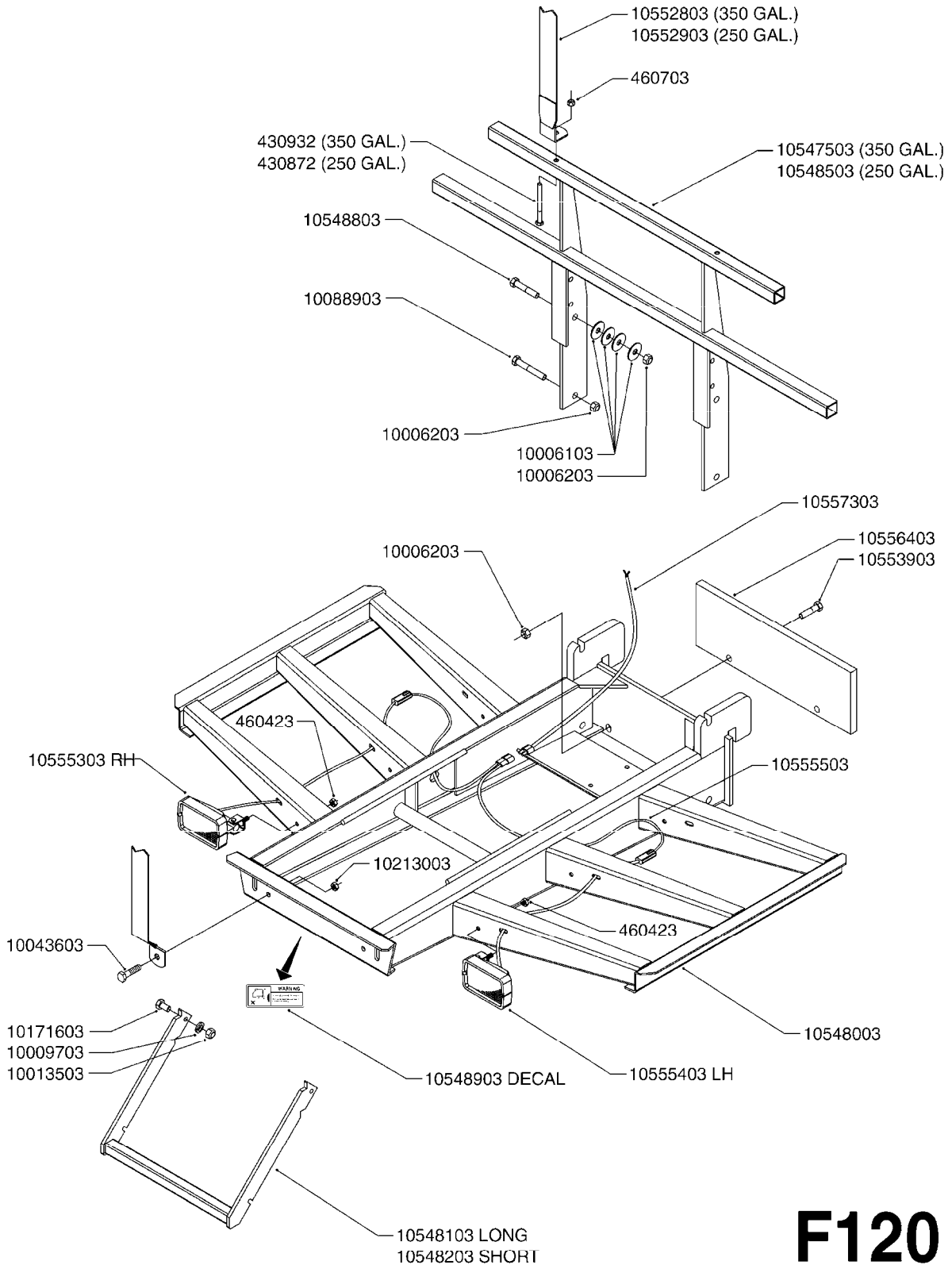
F111



FRAME - DELTA 3PT
F111-HIN, 25:03:10

Page 1
Date 19.03.2013 9:51

parts-n°	order qty	description
146383	1	LOCKING PAWL D10 L-90
147270	1	BUSHING 60/38 L=80MM
161382	1	HOOK F.TRANSPORT LOCK L=340MM
210835	1	BUSHING D28/25 L=25
242089	1	RUBBER STOP D50X40 M10
283699	1	GREASE NIPPLE M6X1
333956	1	SLIDE SHOE 91X25X10
334135	1	SLIDE SHOE 140X45X15
390826	1	SLIDE PAD F.TRANSPORT BKT.CM/D
410281	1	BOLT HEX 8.8 DEL M6X25
420567	1	BOLT HEX 8.8 DEL M8X30 FT
420604	1	BOLT HEX 8.8 DEL M10X25 FT
420766	1	BOLT HEX 8.8 DEL M8X45
420825	1	BOLT HEX 8.8 DEL M10X65
421002	1	BOLT HEX 8.8 DEL M10X30 FT
430286	1	BOLT HEX 8.8 DEL M12X30 FT
430872	1	BOLT HEX 8.8 DEL M12X100 FT
430878	1	BOLT HEX 8.8 DEL M12X45
430947	1	BOLT HEX 8.8 DEL M12X210
430952	1	BOLT HEX M16X220 DIN931-8.8 DE
440708	1	SCREW M5.5X16 SELF TAPPING SS
460143	1	NUT HEX M8 LOCK
460261	1	NUT HEX M6X1 LOCK
460342	1	NUT HEX M10
460423	1	NUT HEX M10X1.5 LOCK
460585	1	NUT HEX M16X2 LOCK
460703	1	NUT HEX M12X1.75 LOCK
471128	1	WASHER D30/D17X3
480244	1	PIN SNAP D4.5
615649	1	ARM UPPER F. PARALIFT
615654	1	PIN D25 X 123 F. PARALIFT
615655	1	PIN D25 X 156 F. PARALIFT
615671	1	PIN LOWER LINK CAT 3 F.MEGA350
615929	1	SUPPORT LEG FRONT DELTA
615930	1	SUPPORT LEG BACK DELTA
615965	1	BRACKET FOR HARDI FILLER
615968	1	BRACKET FOR MANIFOLD DELTA
637953	1	TRANSPORT SAFETY HOOK ARM ASSY
16023403	1	BRACKET F. HOSE COUPLERS
16091000	1	PLATE 4.0 X 250 X 150/4 X D11
61013100	1	PIN UPPER LINK, DELTA-SPC
63002000	1	DELTA 3-PT FRAME CAT.III
63002700	1	PARALIFT BENT WELDMENT PAINTED
63006803	1	SWIVEL BRACKET DELTA SPC - RH
63006903	1	SWIVEL BRACKET DELTA SPC - LH
63011800	1	BRIDGE F.TRANSP.DELTA-SPC
63801200	1	TRANSPORT BRACKET DELTA - RH
63801300	1	TRANSPORT BRACKET DELTA - LH
63821900	1	PARALIFT ARM W/MOUNTS





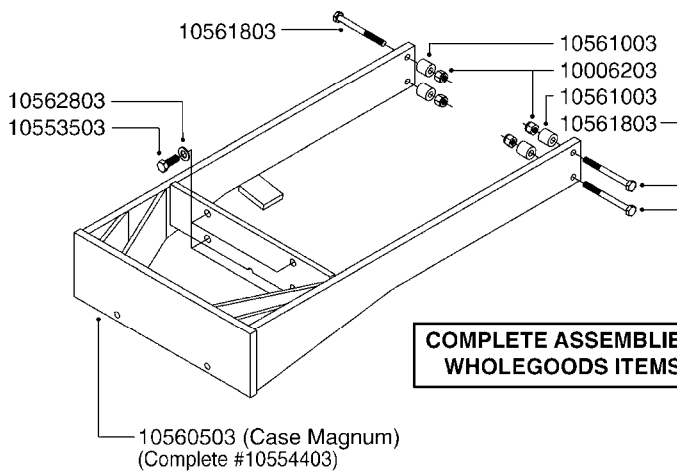
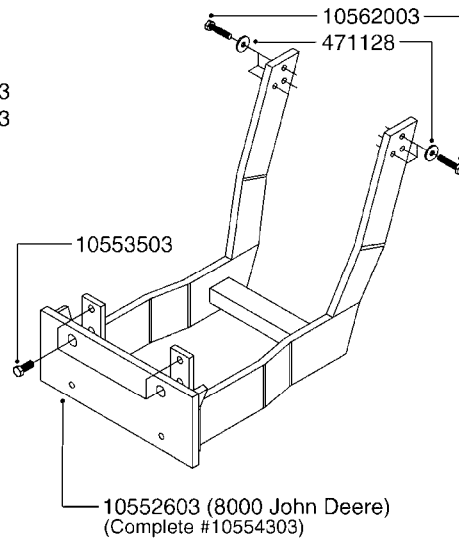
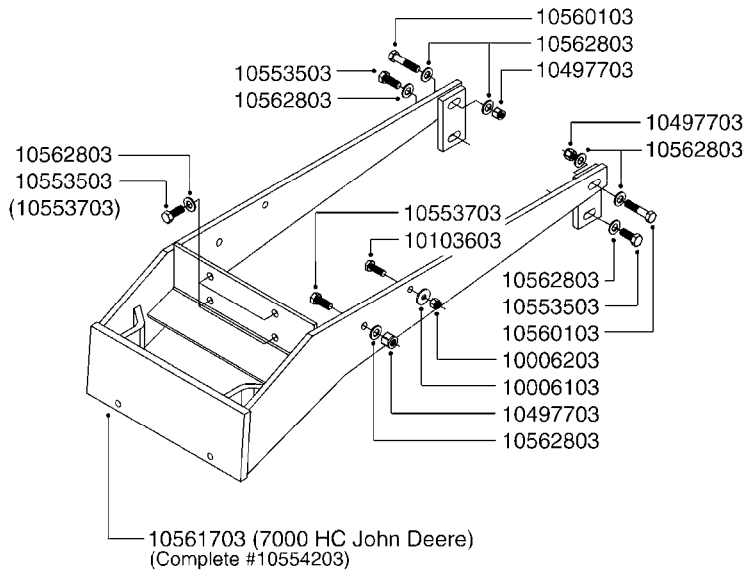
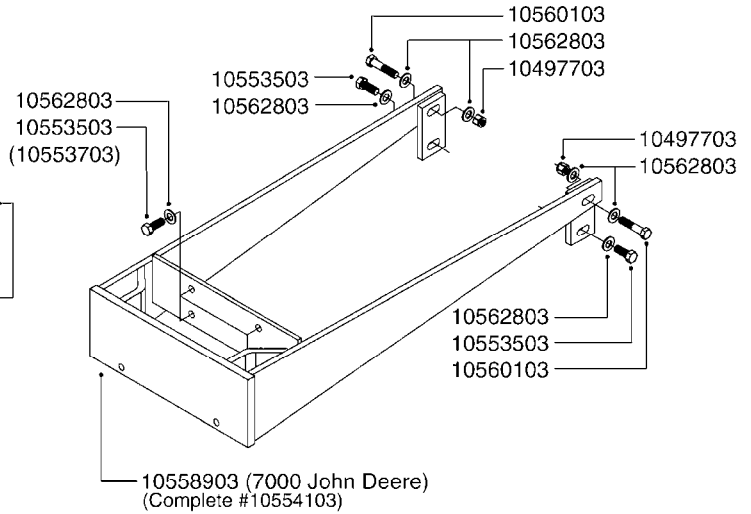
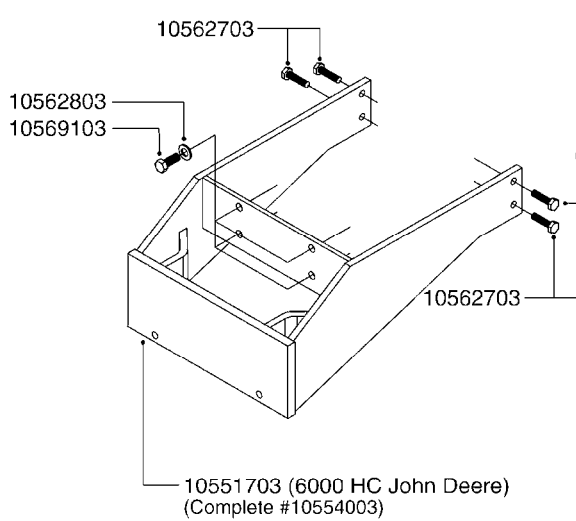
FRAME FRONT TANK 250/350
F120-HIN, 01:01:01

Page 1
Date 19.03.2013 9:51

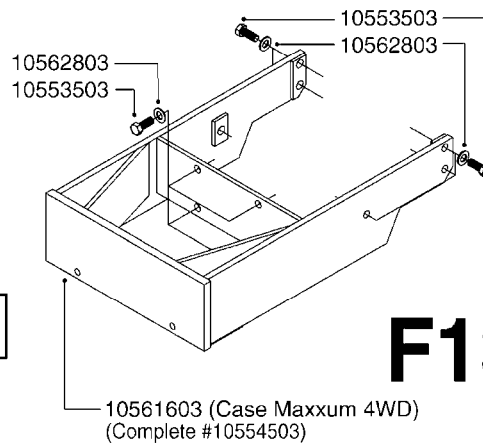
parts-n°	order qty	description
10006103	1	WASHER PLATE 5/8
10006203	1	NUT HEX NC LOCK 5/8"
10009703	1	WASHER LOCK L/W Z 3/8"
10013503	1	NUT HEX NC 3/8"
10043603	1	BOLT HEX 7/16 NC GR.5 01.25"
10088903	1	BOLT HEX 5/8 NC GR.2 03.50"
10171603	1	BOLT HEX 3/8 NC GR.2 01.50"
10213003	1	NUT HEX NC (NYLON LOCK) 7/16"
10547503	1	REAR SUPPORT 350G F.FRONT TANK
10548003	1	FRAME F.FRONT TANK
10548103	1	STEP LONG F.FRONT TANK
10548203	1	STEP SHORT F.FRONT TANK
10548503	1	REAR SUPPORT 250G F.FRONT TANK
10548803	1	BOLT HEX 5/8 NC GR.2 02.75"
10548903	1	DECAL "WARNING-DO NOT TOW" ENG
10552803	1	STRAP F.TANK 50X2160 350G
10552903	1	STRAP F.TANK 50X2070 250G
10553903	1	BOLT HEX 5/8 NC GR.8 02.50"
10555303	1	HEAD LIGHT RH FRONT TANK
10555403	1	HEAD LIGHT LH FRONT TANK
10555503	1	WIRING HARNESS MIDDLE FR.TANK
10556403	1	RAW MOUNT PLATE FRONT TANK
10557303	1	WIRING HARNESS END FOR FR.TANK
430872	1	BOLT HEX 8.8 DEL M12X100 FT
430932	1	BOLT HEX 8.8 DEL M12X130 FT
460423	1	NUT HEX M10X1.5 LOCK
460703	1	NUT HEX M12X1.75 LOCK



FRONT TANK MOUNT BRACKETS
F130-HIN, 01:01:01



COMPLETE ASSEMBLIES
WHOLEGOODS ITEMS



F130



FRONT TANK MOUNT BRACKETS
F130-HIN, 01:01:01

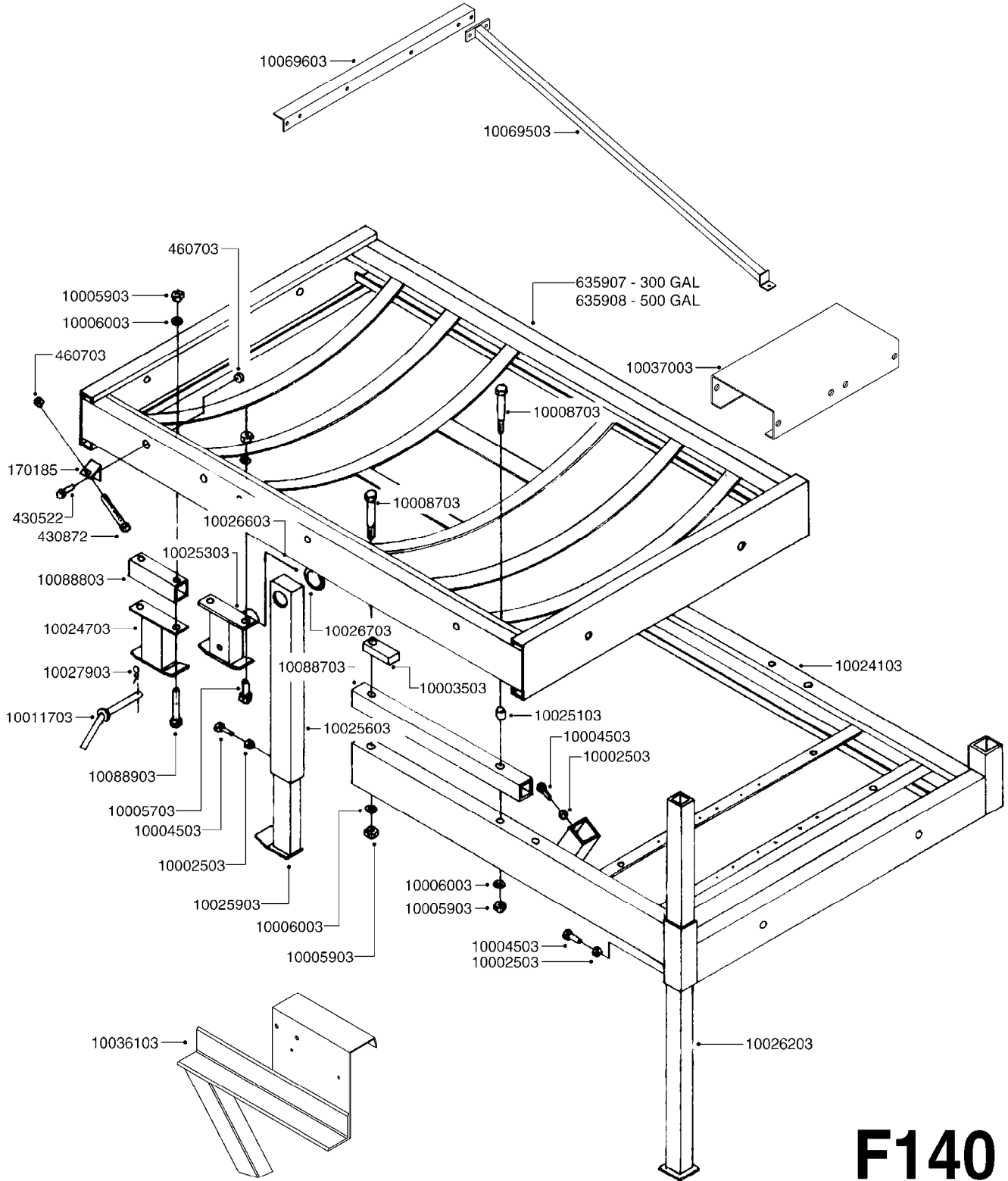
Page 1
Date 19.03.2013 9:51

parts-n°	order qty	description
471128	1	WASHER D30/D17X3
10006103	1	WASHER PLATE 5/8
10006203	1	NUT HEX NC LOCK 5/8"
10103603	1	BOLT HEX 5/8 NC GR.8 02.00"
10497703	1	NUT HEX NC LOCK 3/4
10551703	1	MOUNT BRACKET JD 6000 HC.
10552603	1	MOUNT BRACKET JD 8000
10553503	1	BOLT HEX M20X65 GR. 10.9
10553703	1	BOLT HEX 3/4 NC GR.8 02.50"
10554003	1	*MOUNT BRACKET KIT JD 6000 HC
10554103	1	MOUNT BRACKET KIT JD 7000
10554203	1	*MOUNT BRACKET KIT JD 7000 HC
10554303	1	MOUNT BRACKET KIT JD 8000
10554403	1	*MOUNT BRACKET KIT MAGNUM
10554503	1	*MOUNT BRACKET KIT 5240 HC
10558903	1	MOUNT BRACKET JD 7000
10560103	1	BOLT HEX 3/4 NC GR.8 03.50"
10560503	1	MOUNT BRACKET MAGNUM
10561003	1	SPACER ID17/OD38 L=18
10561603	1	MOUNT BRACKET MAXXUM HC
10561703	1	MOUNT BRACKET JD 72-7400 HC
10561803	1	BOLT HEX 5/8 NC GR.8 06.50"
10562003	1	BOLT HEX 5/8 NC GR.8 03.00"
10562703	1	BOLT HEX M16X65 GR.10.9
10562803	1	WASHER D42/D22 X 4
10569103	1	BOLT HEX M20X50 GR. 10.9



FRAME SM 300/500
F140-HIN, 01:01:01

Page	0
Date	19.03.2013 9:51



F140

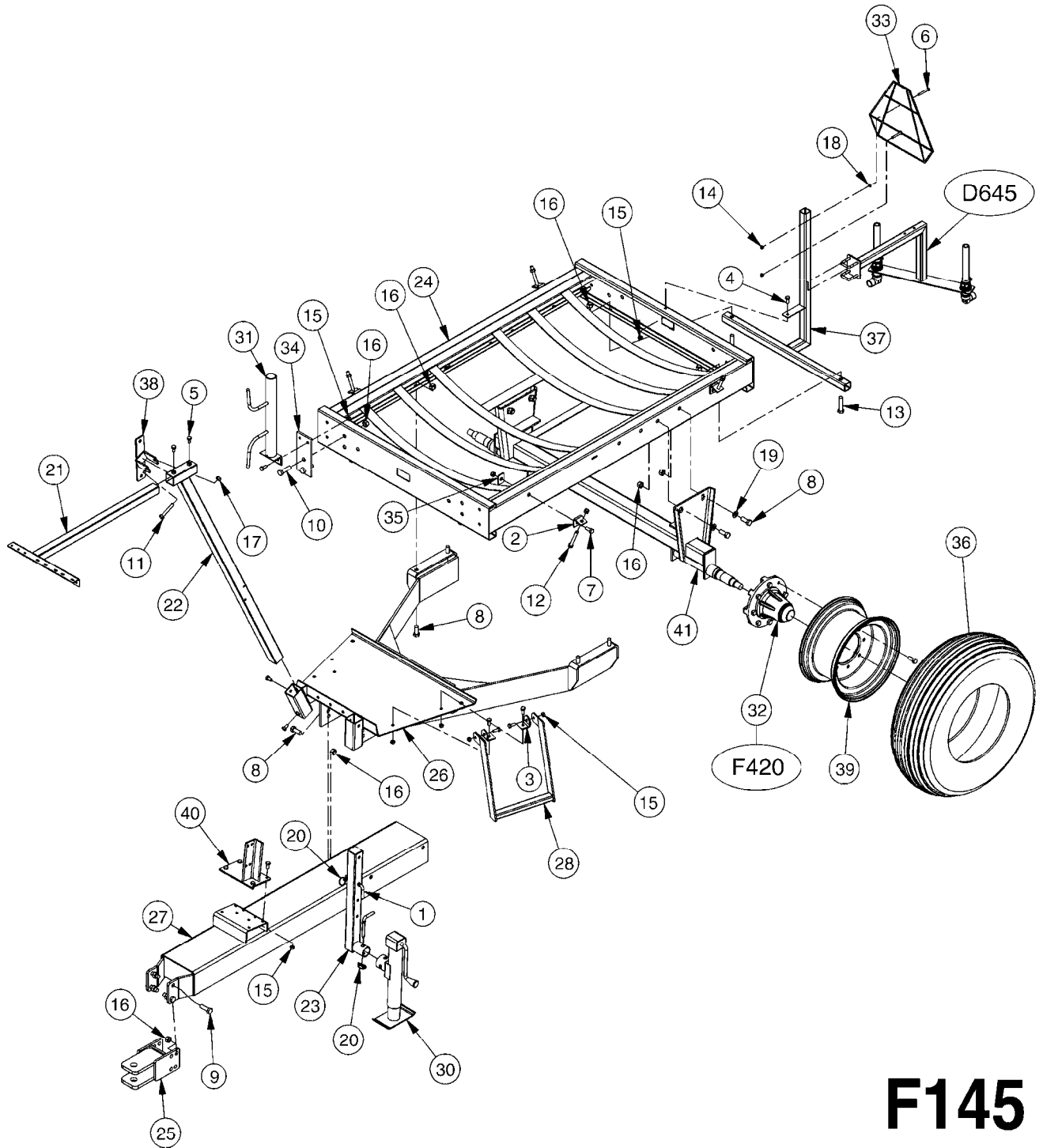


FRAME SM 300/500
F140-HIN, 01:01:01

Page 1

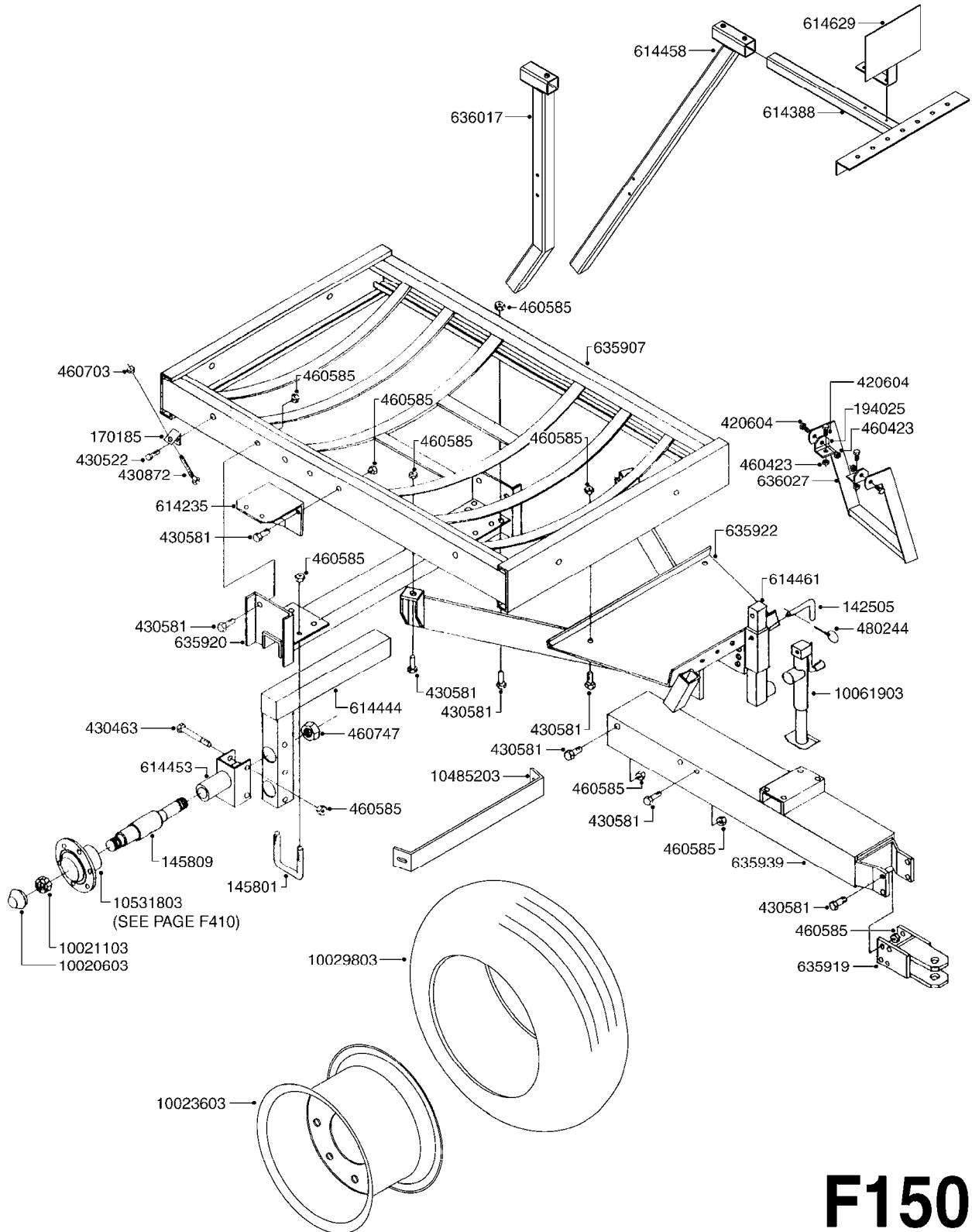
Date 19.03.2013 9:51

parts-n°	order qty	description
10002503	1	NUT HEX NC 1/2"
10003503	1	PAD
10004503	1	BOLT HEX 1/2 NC GR.5 01.50"
10005703	1	BOLT HEX 5/8 NC GR.2 01.50"
10005903	1	NUT HEX NC 5/8" NYLOCK
10006003	1	WASHER LOCK 5/8"
10008703	1	BOLT HEX 5/8 NC GR.2 04.50"
10011703	1	LOCKING PIN W/M
10024103	1	SKID MOUNT FRAME W/M
10024703	1	SKID W/M TRUCK END
10025103	1	SPACER 11/16 X 7/8
10025303	1	SKID W/M SWIVEL LEG
10025603	1	SWIVEL LEG W/M
10025903	1	STAND W/M ADJ.
10026203	1	LEG W/M REAR ADJ.
10026603	1	COTTER PIN 3/16 X 3
10026703	1	WASHER PLATE D2-1/4"D1-1/2"
10027903	1	PIN #17 HITCH CLIP
10036103	1	CONTROL MOUNT ASSY
10037003	1	LOWER FILTER MT. BRACKET
10069503	1	CROSS BRACE
10069603	1	DIAGONAL BRACE
10088703	1	TUBE PIECE 2"SQ X 25-1/2" LG
10088803	1	TUBE PIECE 2"SQ X 7" LONG
10088903	1	BOLT HEX 5/8 NC GR.2 03.50"
170185	1	ANGLE BRACKET F. TANKSTRAP
430522	1	BOLT HEX 8.8 DEL M12X25 FT
430872	1	BOLT HEX 8.8 DEL M12X100 FT
460703	1	NUT HEX M12X1.75 LOCK
635907	1	FRAME F. TL/TR/ESC 300
635908	1	FRAME F. TR/ESC 500





Pos.	parts-n°	order qty	description
1	142505	1	LOCKING PAWL 12 X 70MM
2	170185	1	ANGLE BRACKET F. TANKSTRAP
3	194025	1	BRACKET F.STEP HC650
4	420604	1	BOLT HEX 8.8 DEL M10X25 FT
5	420626	1	BOLT HEX 8.8 DEL M10X20 FT
6	421024	1	BOLT HEX 8.8 DEL M8X60
7	430286	1	BOLT HEX 8.8 DEL M12X30 FT
8	430581	1	BOLT HEX 8.8 DEL M16X40 FT
9	430637	1	BOLT HEX 8.8 DEL M16X50 FT
10	430765	1	BOLT HEX 8.8 DEL M16X55
11	430802	1	BOLT HEX 8.8 DEL M12X75
12	430872	1	BOLT HEX 8.8 DEL M12X100 FT
13	430915	1	BOLT HEX 8.8 DEL M16X70
14	460143	1	NUT HEX M8 LOCK
15	460423	1	NUT HEX M10X1.5 LOCK
16	460585	1	NUT HEX M16X2 LOCK
17	460703	1	NUT HEX M12X1.75 LOCK
18	471126	1	WASHER D16/D8.4X1.6 SS
19	471128	1	WASHER D30/D17X3
20	480244	1	PIN SNAP D4.5
21	614388	1	BRACKET FOR OPER. UNIT
22	614458	1	CONTROL POST BK TR/TL300/500
23	614461	1	JACK STAND ATTACHMENT
24	635907	1	FRAME F. TL/TR/ESC 300 PASTURE SPRAYER 300
24	635908	1	FRAME F. TR/ESC 500 PASTURE SPRAYER 550
25	635919	1	TONGUE CLEVIS TR300/500
26	635922	1	PLATFORM & A-FRAME TR300/500
27	635939	1	TONGUE FOR TR/TL300/500 SHORT
28	636027	1	STEP F.PLATFORM HC650
29	10059203	1	BOLT WHEEL 9/16"x1-1/4"UNF 90D
30	10061903	1	JACK F300/500/575 5000LB
31	10179403	1	WRAP WELDMENT FOR HI101789
32	10531903	1	HUB ASSY.COMP.F.2-1/8" SPINDLE
33	10602403	1	SMV SIGN MOUNT KIT
34	16057303	1	PLATE F.HANDGUN MNT.BRKT.F.PS
35	17002800	1	PLATE 5.0X35X50 /D16.2
36	24002103	1	TIRE 11LX15 12-PLY RIB
37	61005003	1	NOZZLE MOUNTING BRACKET PS300 PASTURE SPRAYER 300
37	63022203	1	NOZZLE MOUNTING BRACKET PS500 PASTURE SPRAYER 550
38	61005503	1	BRKT.F.CLEAN WATER TANK PS
39	61005603	1	RIM 15X8 8-BOLT
40	61008803	1	ACE PUMP BRACKET F. 300/500
41	70038003	1	AXLE ASSY. 300/500 PS



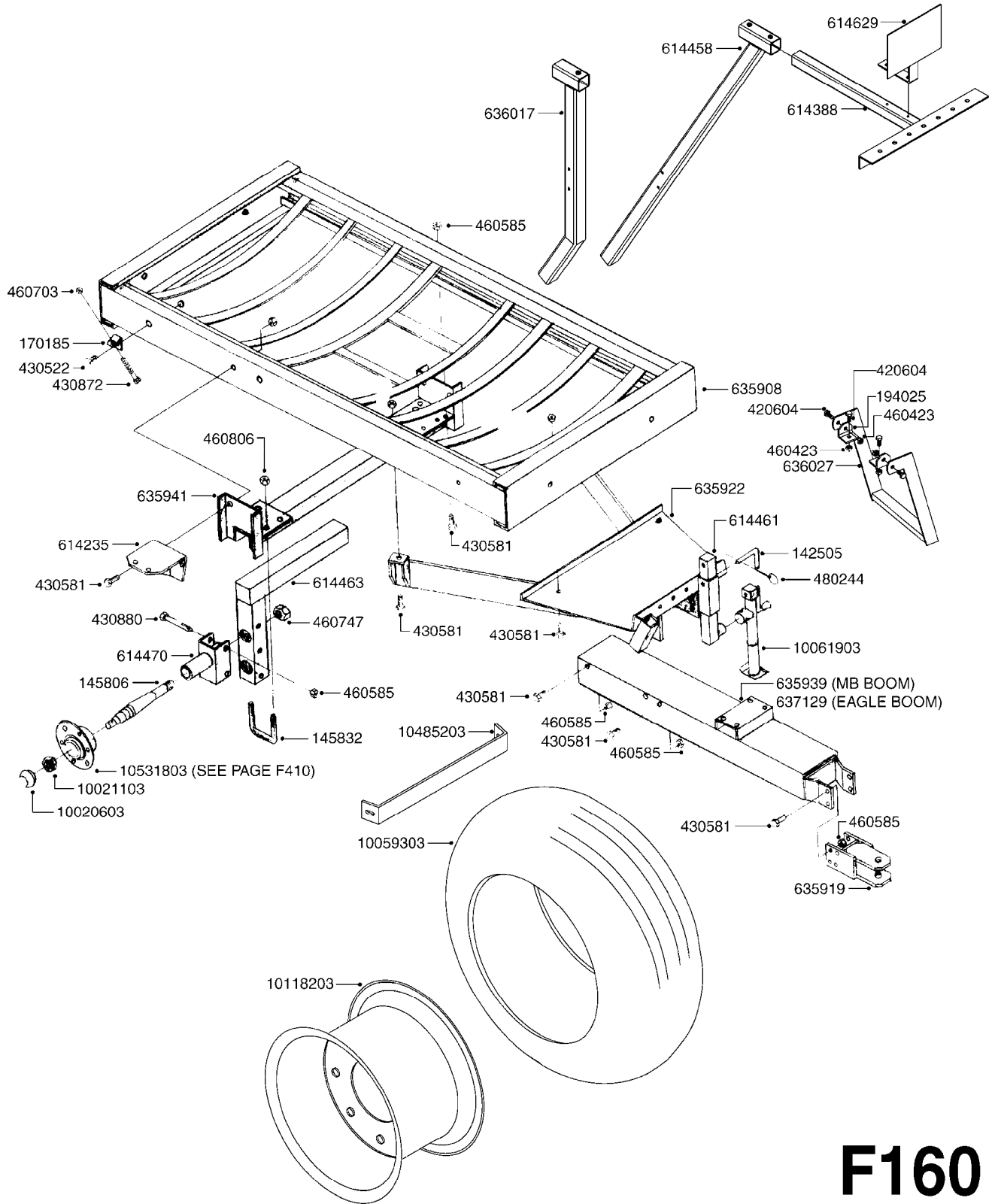
F150



FRAME TL/ESC/TR 300 SA
F150-HIN, 12:12:05

Page 1
Date 19.03.2013 9:51

parts-n°	order qty	description
10020603	1	DUST CAP DC13
10021103	1	NUT HEX NF 7/8 WB32
10023603	1	RIM 15 X 8 X 6 BOLT
10029803	1	TIRE & TUBE 11L15 8 PLY
10061903	1	JACK F300/500/575 5000LB
10485203	1	BRACE A FRAME TR500 FLUSH
10531803	1	HUB ASSY.COMP.F.1-3/4" SPINDLE
142505	1	LOCKING PAWL 12 X 70MM
145801	1	BOLT U
145809	1	SPINDLE 300 SINGLE
170185	1	ANGLE BRACKET F. TANKSTRAP
194025	1	BRACKET F.STEP HC650
420604	1	BOLT HEX 8.8 DEL M10X25 FT
430463	1	BOLT HEX 8.8 DEL M16X110
430522	1	BOLT HEX 8.8 DEL M12X25 FT
430581	1	BOLT HEX 8.8 DEL M16X40 FT
430872	1	BOLT HEX 8.8 DEL M12X100 FT
460423	1	NUT HEX M10X1.5 LOCK
460585	1	NUT HEX M16X2 LOCK
460703	1	NUT HEX M12X1.75 LOCK
460747	1	NUT HEX M24 LOCK
480244	1	PIN SNAP D4.5
614235	1	BRACKET EAR F SIDE BRACES (NLA
614388	1	BRACKET FOR OPER. UNIT
614444	1	AXLE INSERT 300 SINGLE
614453	1	SPINDLE HOLDER 300 SINGLE
614458	1	CONTROL POST BK TR/TL300/500
614461	1	JACK STAND ATTACHMENT
614629	1	BRACKET F. DECAL TL/TR 300/500
635907	1	FRAME F. TL/TR/ESC 300
635919	1	TONGUE CLEVIS TR300/500
635920	1	U-PROFILE 300G SINGLE AXLE
635922	1	PLATFORM & A-FRAME TR300/500
635939	1	TONGUE FOR TR/TL300/500 SHORT
636017	1	POST FOR EC CONTROL MOUNT
636027	1	STEP F.PLATFORM HC650



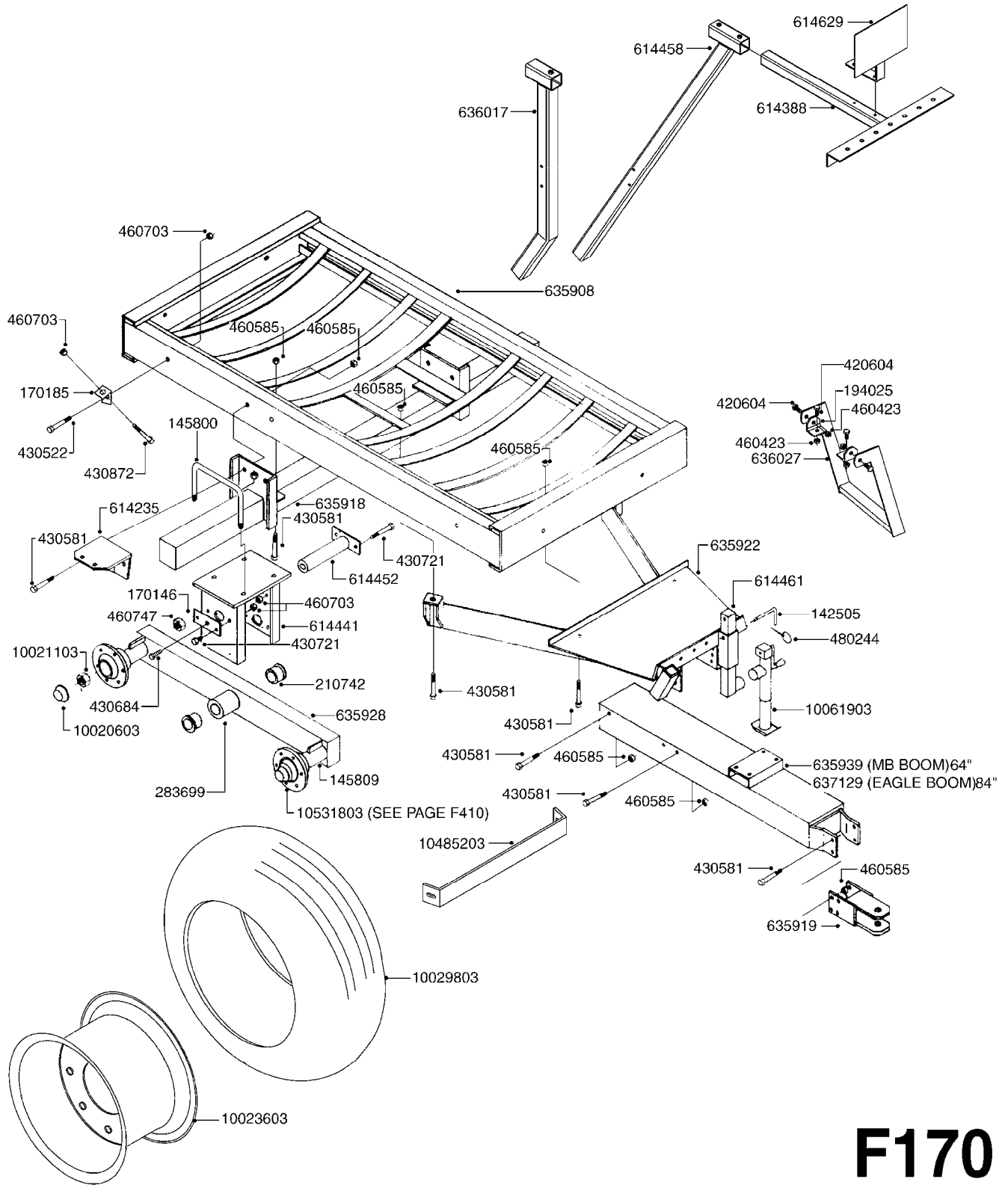
F160



FRAME TL/ESC/TR 500 SA
F160-HIN, 12:12:05

Page 1
Date 19.03.2013 9:51

parts-n°	order qty	description
10020603	1	DUST CAP DC13
10021103	1	NUT HEX NF 7/8 WB32
10059303	1	SUBSTITUTE 24001303
10061903	1	JACK F300/500/575 5000LB
10118203	1	RIM 15 X 10 X 6 BOLT
10485203	1	BRACE A FRAME TR500 FLUSH
10531803	1	HUB ASSY.COMP.F.1-3/4" SPINDLE
142505	1	LOCKING PAWL 12 X 70MM
145806	1	SPINDLE 500 SINGLE
145832	1	BOLT U (5-3/4"L x 4-3/4"W)
170185	1	ANGLE BRACKET F. TANKSTRAP
194025	1	BRACKET F.STEP HC650
420604	1	BOLT HEX 8.8 DEL M10X25 FT
430522	1	BOLT HEX 8.8 DEL M12X25 FT
430581	1	BOLT HEX 8.8 DEL M16X40 FT
430872	1	BOLT HEX 8.8 DEL M12X100 FT
430880	1	BOLT HEX 8.8 DEL M16X140
460423	1	NUT HEX M10X1.5 LOCK
460585	1	NUT HEX M16X2 LOCK
460703	1	NUT HEX M12X1.75 LOCK
460747	1	NUT HEX M24 LOCK
460806	1	NUT HEX M20X2.5 LOCK
480244	1	PIN SNAP D4.5
614235	1	BRACKET EAR F SIDE BRACES (NLA
614388	1	BRACKET FOR OPER. UNIT
614458	1	CONTROL POST BK TR/TL300/500
614461	1	JACK STAND ATTACHMENT
614463	1	INSERT SINGLE AXLE 500
614470	1	SPINDLE HOLDER 500 SINGLE
614629	1	BRACKET F. DECAL TL/TR 300/500
635908	1	FRAME F. TR/ESC 500
635919	1	TONGUE CLEVIS TR300/500
635922	1	PLATFORM & A-FRAME TR300/500
635939	1	TONGUE FOR TR/TL300/500 SHORT
635941	1	U-PROFILE 500 SINGLE
636017	1	POST FOR EC CONTROL MOUNT
636027	1	STEP F.PLATFORM HC650
637129	1	TONGUE FOR 500 EAGLE/FLUSH LNG



F170



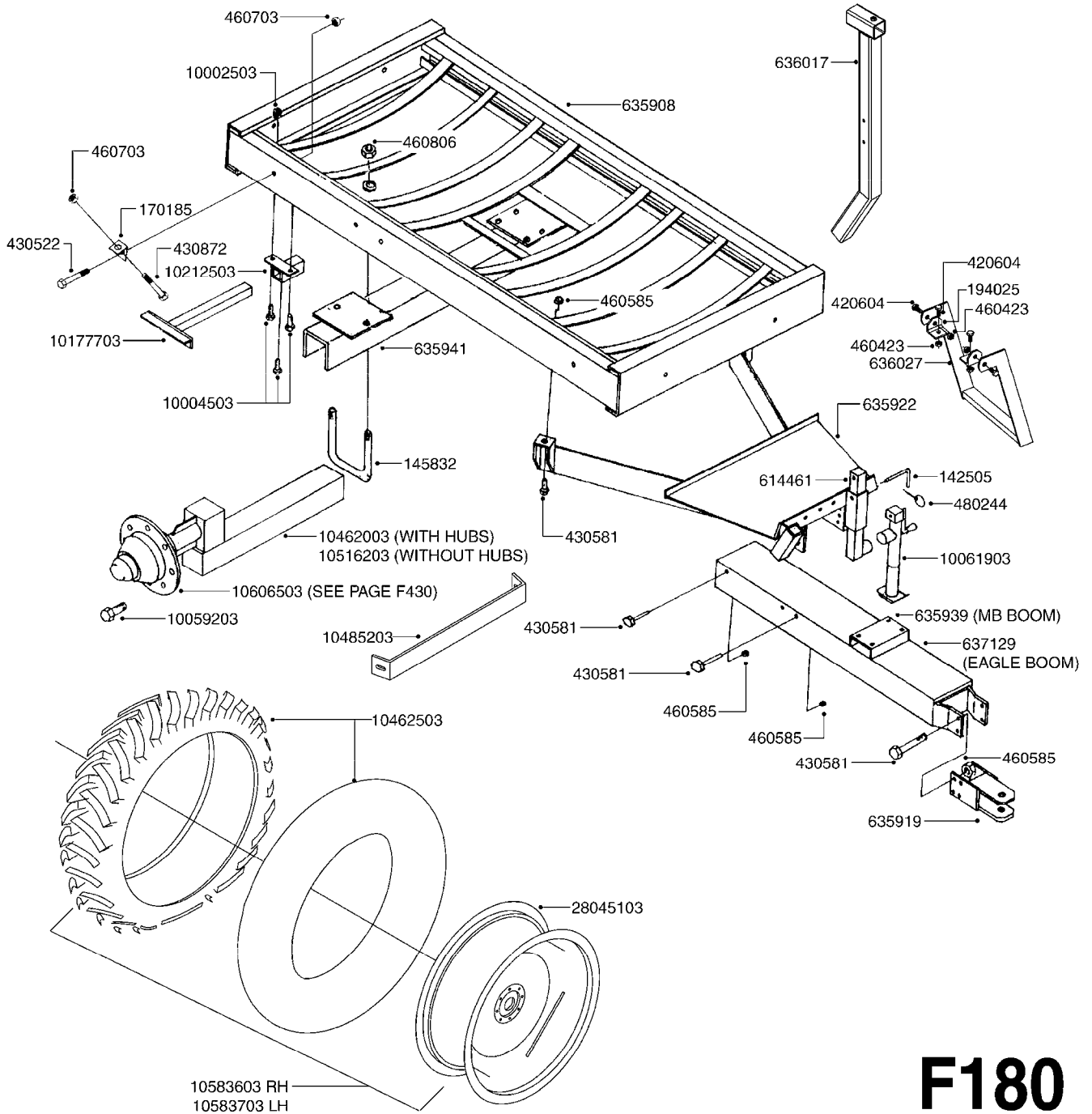
FRAME 500 TA
F170-HIN, 12:12:05

Page 1
Date 19.03.2013 9:51

parts-n°	order qty	description
10020603	1	DUST CAP DC13
10021103	1	NUT HEX NF 7/8 WB32
10023603	1	RIM 15 X 8 X 6 BOLT
10029803	1	TIRE & TUBE 11L15 8 PLY
10061903	1	JACK F300/500/575 5000LB
10485203	1	BRACE A FRAME TR500 FLUSH
10531803	1	HUB ASSY.COMP.F.1-3/4" SPINDLE
142505	1	LOCKING PAWL 12 X 70MM
145800	1	BOLT U TR500
145809	1	SPINDLE 300 SINGLE
170146	1	PLATE F.PIN 500 TANDAM
170185	1	ANGLE BRACKET F. TANKSTRAP
194025	1	BRACKET F.STEP HC650
210742	1	BUSHING TA500
283699	1	GREASE NIPPLE M6X1
420604	1	BOLT HEX 8.8 DEL M10X25 FT
430522	1	BOLT HEX 8.8 DEL M12X25 FT
430581	1	BOLT HEX 8.8 DEL M16X40 FT
430684	1	BOLT HEX 8.8 DEL M16X30 FT
430721	1	BOLT HEX 8.8 DEL M12X40 FT
430872	1	BOLT HEX 8.8 DEL M12X100 FT
460423	1	NUT HEX M10X1.5 LOCK
460585	1	NUT HEX M16X2 LOCK
460703	1	NUT HEX M12X1.75 LOCK
460747	1	NUT HEX M24 LOCK
480244	1	PIN SNAP D4.5
614235	1	BRACKET EAR F SIDE BRACES (NLA
614388	1	BRACKET FOR OPER. UNIT
614441	1	UPRIGHT 500 TANDEM
614452	1	PIN TANDEM CENTER AXLE
614458	1	CONTROL POST BK TR/TL300/500
614461	1	JACK STAND ATTACHMENT
614629	1	BRACKET F. DECAL TL/TR 300/500
635908	1	FRAME F. TR/ESC 500
635918	1	AXLE STRUT 500 TANDEM
635919	1	TONGUE CLEVIS TR300/500
635922	1	PLATFORM & A-FRAME TR300/500
635928	1	TANDEM BEAM 500
635939	1	TONGUE FOR TR/TL300/500 SHORT
636017	1	POST FOR EC CONTROL MOUNT
636027	1	STEP F.PLATFORM HC650
637129	1	TONGUE FOR 500 EAGLE/FLUSH LNG



FRAME HC 500
F180-HIN, 15:06:07



F180

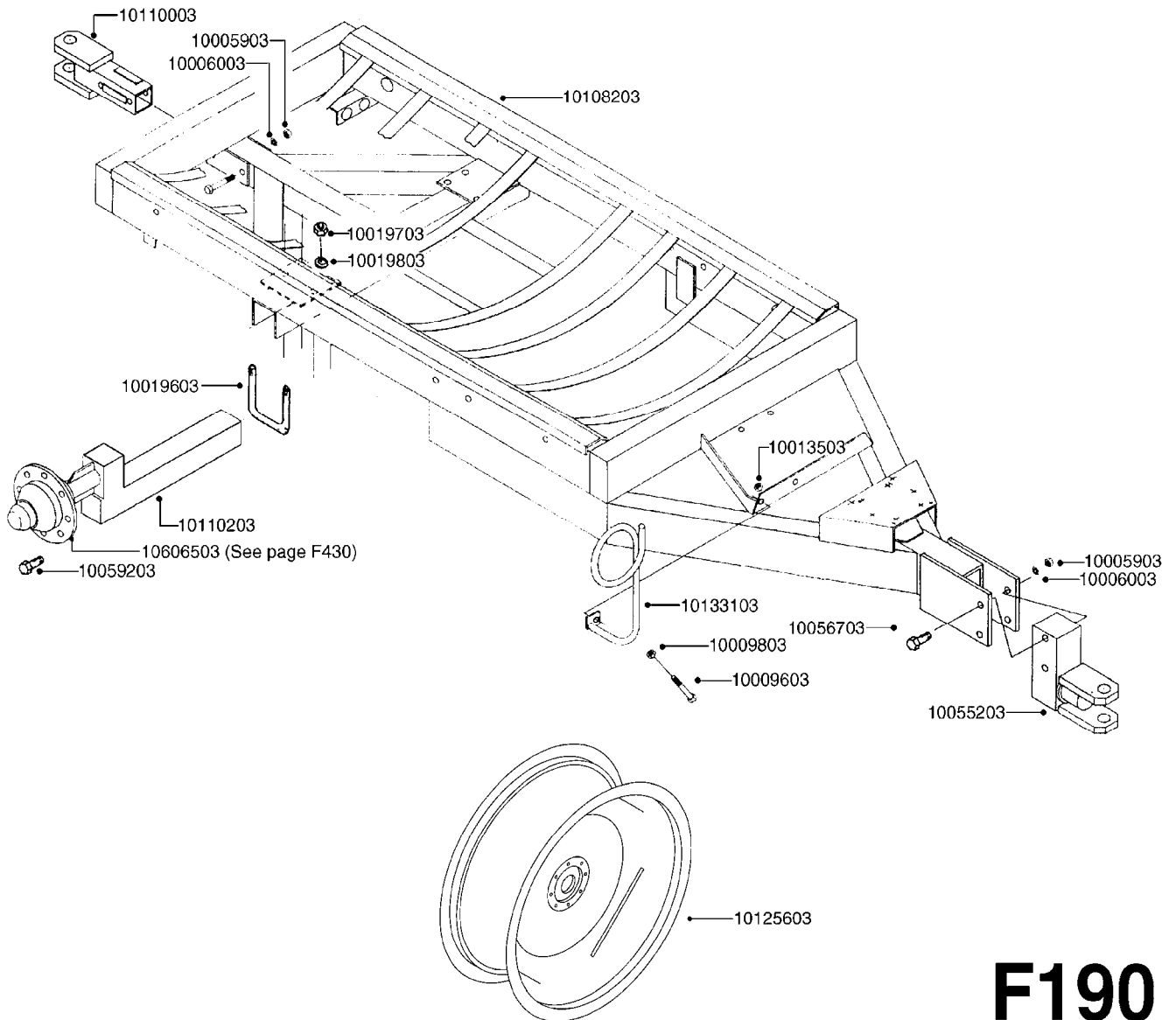


FRAME HC 500
F180-HIN, 15:06:07

Page 1

Date 19.03.2013 9:51

parts-n°	order qty	description
142505	1	LOCKING PAWL 12 X 70MM
145832	1	BOLT U (5-3/4"L x 4-3/4"W)
170185	1	ANGLE BRACKET F. TANKSTRAP
194025	1	BRACKET F.STEP HC650
420604	1	BOLT HEX 8.8 DEL M10X25 FT
430522	1	BOLT HEX 8.8 DEL M12X25 FT
430581	1	BOLT HEX 8.8 DEL M16X40 FT
430872	1	BOLT HEX 8.8 DEL M12X100 FT
460423	1	NUT HEX M10X1.5 LOCK
460585	1	NUT HEX M16X2 LOCK
460703	1	NUT HEX M12X1.75 LOCK
460806	1	NUT HEX M20X2.5 LOCK
480244	1	PIN SNAP D4.5
614461	1	JACK STAND ATTACHMENT
635908	1	FRAME F. TR/ESC 500
635919	1	TONGUE CLEVIS TR300/500
635922	1	PLATFORM & A-FRAME TR300/500
635939	1	TONGUE FOR TR/TL300/500 SHORT
635941	1	U-PROFILE 500 SINGLE
636017	1	POST FOR EC CONTROL MOUNT
636027	1	STEP F.PLATFORM HC650
637129	1	TONGUE FOR 500 EAGLE/FLUSH LNG
10002503	1	NUT HEX NC 1/2"
10004503	1	BOLT HEX 1/2 NC GR.5 01.50"
10059203	1	BOLT WHEEL 9/16"x1-1/4"UNF 90D
10061903	1	JACK F300/500/575 5000LB
10177703	1	SCRAPER MUD ICM VS 500
10212503	1	BKT.MUD SCRAPER ICM 500
10462003	1	AXLE INSERT.ASSY.HC500/650
10462503	1	TIRE 11.2" X 38" 4 PLY TUBE L.
10485203	1	BRACE A FRAME TR500 FLUSH
10516203	1	INSERT W/M 500/650HC W/SPINDLE
10583603	1	TIRE ASSY 11.2X38 RH 8"BC
10583703	1	TIRE ASSY 11.2X38 LH 8"BC
10606503	1	HUB ASSY.NAV550/800/1000 HC
28045103	1	RIM 38X10 8/8/6 4.18-OS GRAY

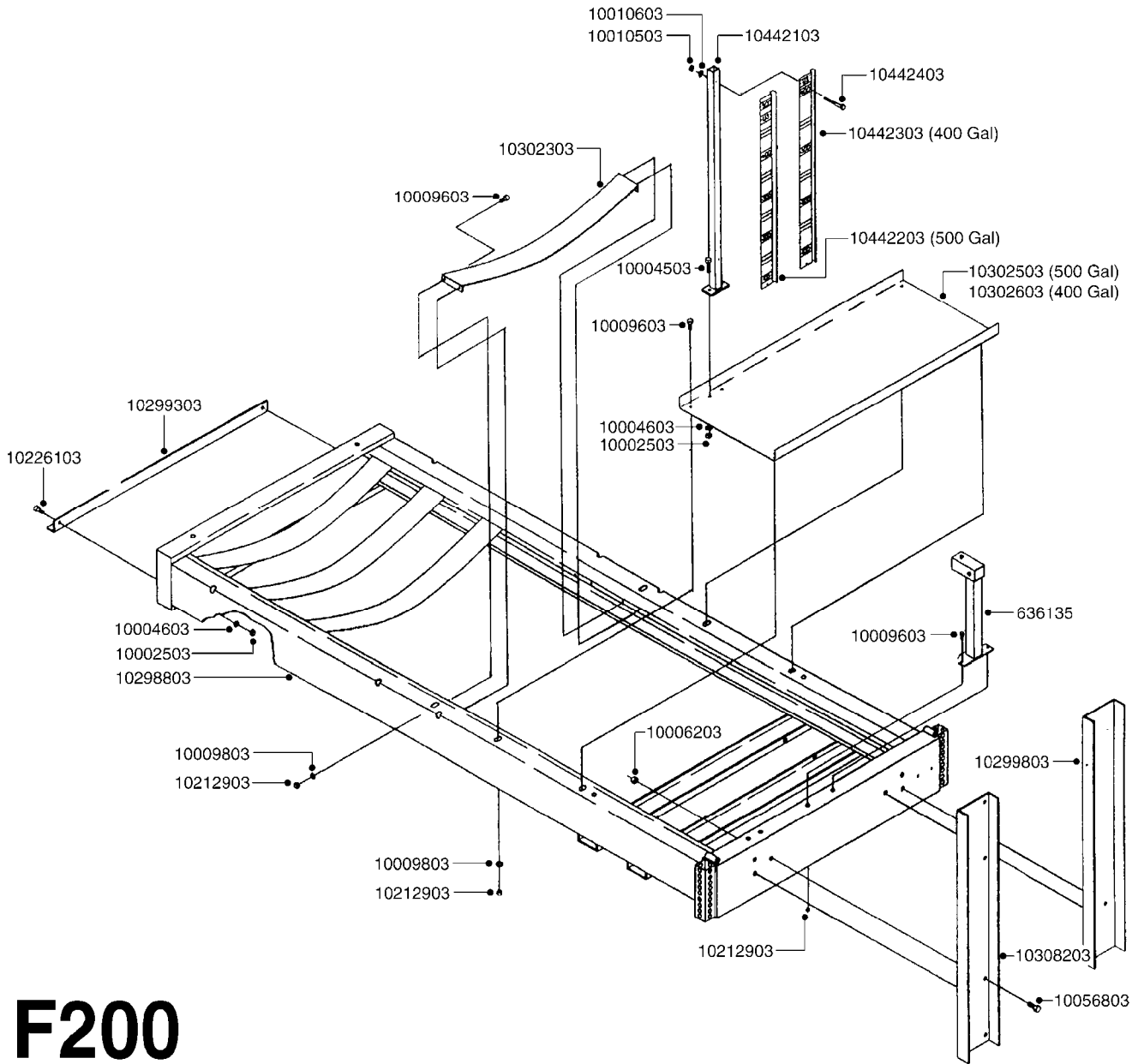




FRAME TR 500 C
F190-HIN, 12:12:05

Page 1
Date 19.03.2013 9:51

parts-n°	order qty	description
10005903	1	NUT HEX NC 5/8" NYLOCK
10006003	1	WASHER LOCK 5/8"
10009603	1	BOLT HEX 3/8 NC GR.2 01.00"
10009803	1	WASHER PLATE 3/8"
10013503	1	NUT HEX NC 3/8"
10019603	1	BOLT U 3/4 NC 4-3/8IWX5-1/4IL
10019703	1	NUT HEX NC FHN 3/4-10 Z 5
10019803	1	WASHER LOCK L/W Z 3/4"
10055203	1	HITCH W/M F/TR800-1000
10056703	1	BOLT HEX 5/8 NC GR.5 06.00"
10059203	1	BOLT WHEEL 9/16"x1-1/4"UNF 90D
10108203	1	FRAME W/M TR500C
10110003	1	HITCH WELDMENT REAR
10110203	1	ADJ. SPNDL. W/M
10125603	1	RIM 20 X 8 X 8 BOLT
10133103	1	HOLDER F.HY.HOSE
10606503	1	HUB ASSY.NAV550/800/1000 HC



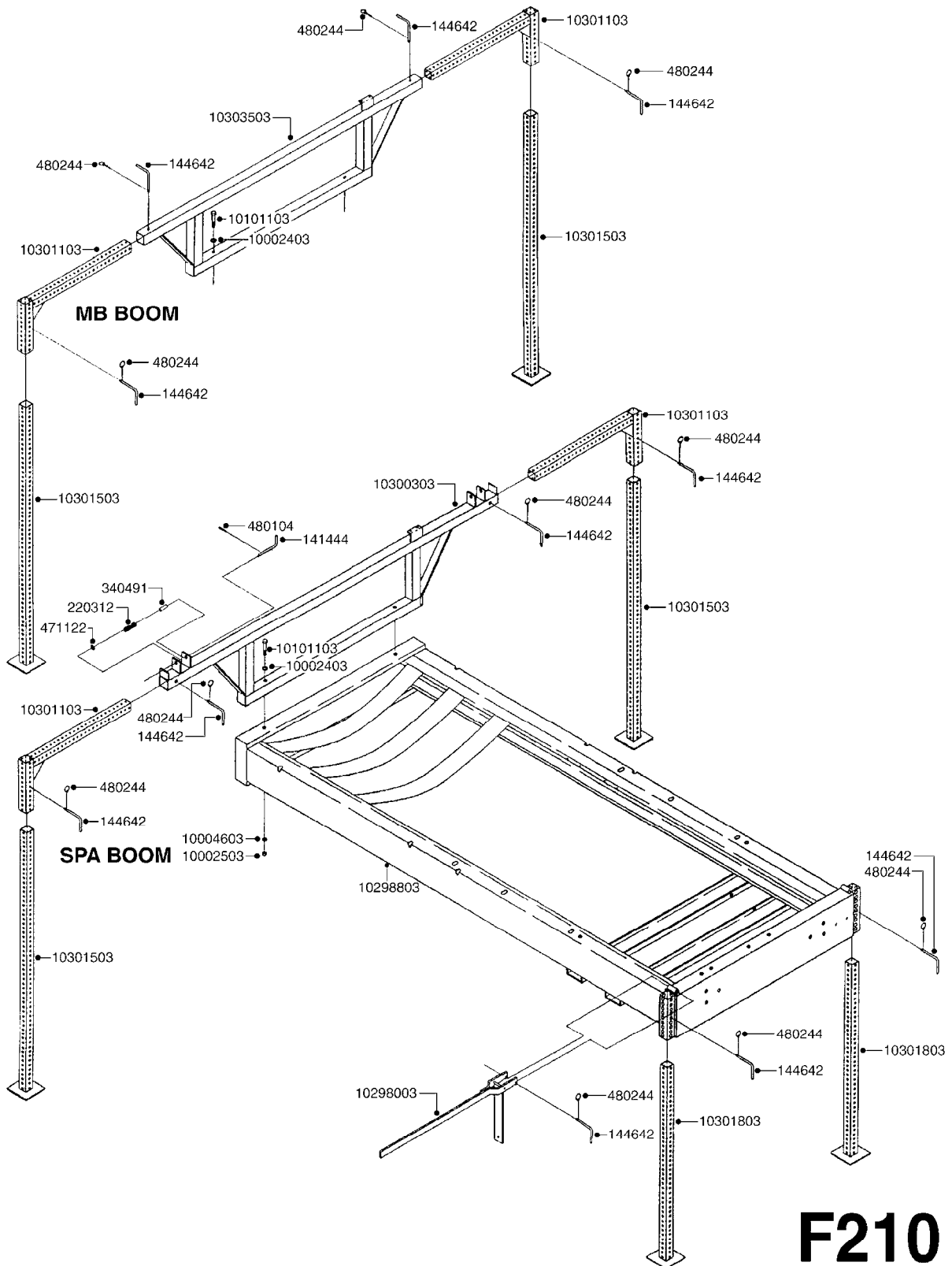
F200



FRAME TMS 400/500
F200-HIN, 01:01:01

Page 1
Date 19.03.2013 9:51

parts-n°	order qty	description
10002503	1	NUT HEX NC 1/2"
10004503	1	BOLT HEX 1/2 NC GR.5 01.50"
10004603	1	WASHER LOCK 1/2"
10006203	1	NUT HEX NC LOCK 5/8"
10009603	1	BOLT HEX 3/8 NC GR.2 01.00"
10009803	1	WASHER PLATE 3/8"
10010503	1	NUT HEX NC 1/4"
10010603	1	WASHER LOCK 1/4"
10056803	1	BOLT HEX 5/8 NC GR.5 01.50"
10212903	1	NUT HEX NC (NYLON LOCK) 3/8"
10226103	1	BOLT HEX 1/2 NC GR.2 01.00"
10298803	1	FRAME FOR TMS
10299303	1	BOLT BRACKET
10299803	1	LOWERING CHANNEL R.
10302303	1	SADDLE FOR TMS
10302503	1	PLATFORM TMS 500
10302603	1	PLATFORM TMS 400
10308203	1	LOWERING CHANNEL L.
10442103	1	POST W/M FOR TMS SIGHT GAUGE
10442203	1	TANK INDICATOR TMS500
10442303	1	TANK INDICATOR TMS400
10442403	1	BOLT HEX 1/4 NC GR.2 01.75"
636135	1	POST FOR EC UNIT TMS/TR



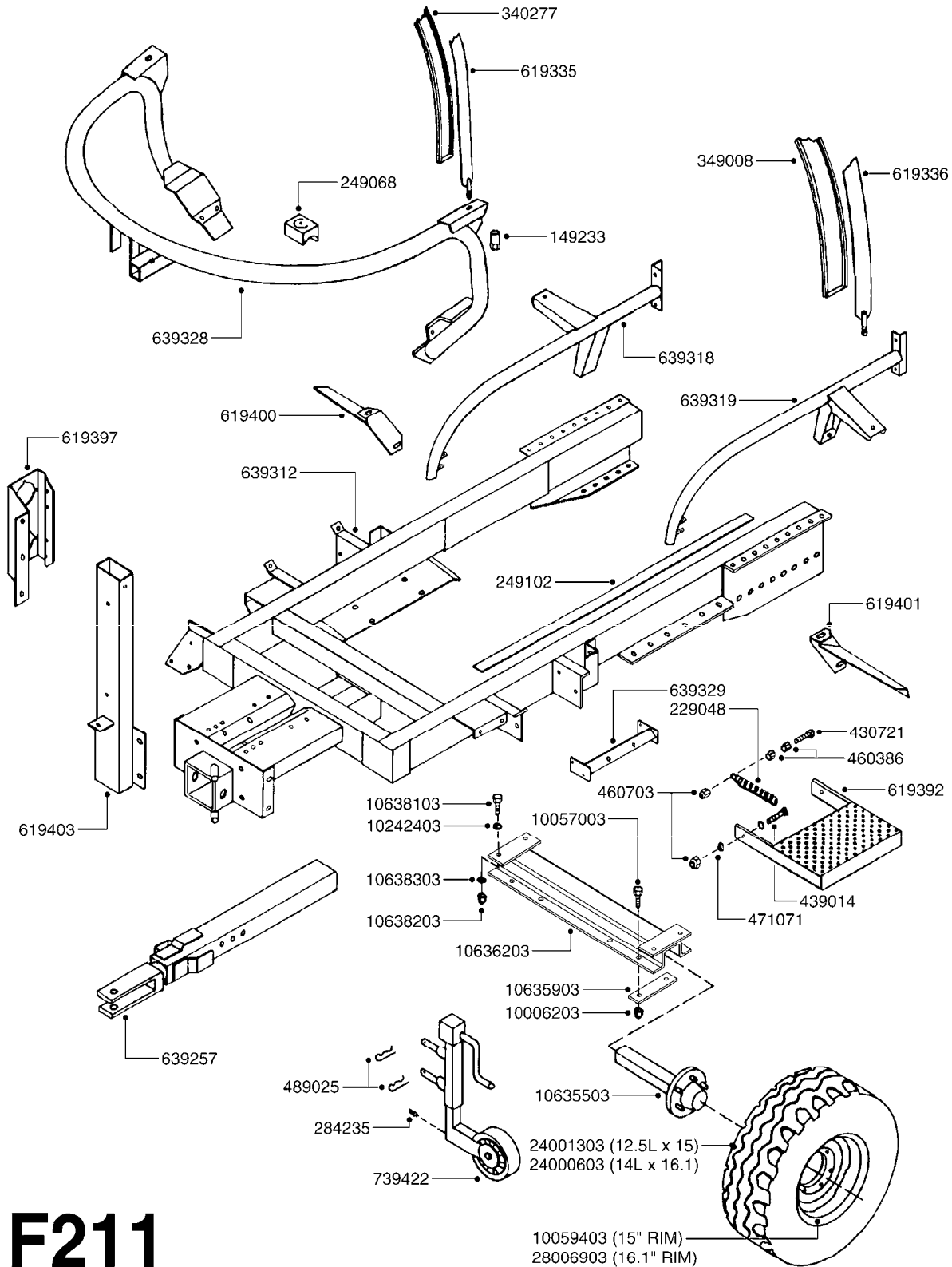
F210



TMS PARKING MB & SPA
F210-HIN, 01:01:01

Page 1
Date 19.03.2013 9:51

parts-n°	order qty	description
10002403	1	WASHER PLATE 1/2"
10002503	1	NUT HEX NC 1/2"
10004603	1	WASHER LOCK 1/2"
10101103	1	BOLT HEX 1/2 NC GR.2 03.50"
10298003	1	JACK HAND OPERATED
10298803	1	FRAME FOR TMS
10300303	1	PARKING STAND
10301103	1	STAND ANGLE
10301503	1	FRONT LEG
10301803	1	BACK LEG
10303503	1	PARKING STAND MB
141444	1	HANDLE D10X175
144642	1	LOCKING PAWL D10X65MM
220312	1	SPRING
340491	1	BUSHING PVC D15 X 32
471122	1	WASHER D20/D10.5X2 SS
480104	1	PIN RETAINING M3X16 GALV.
480244	1	PIN SNAP D4.5



F211

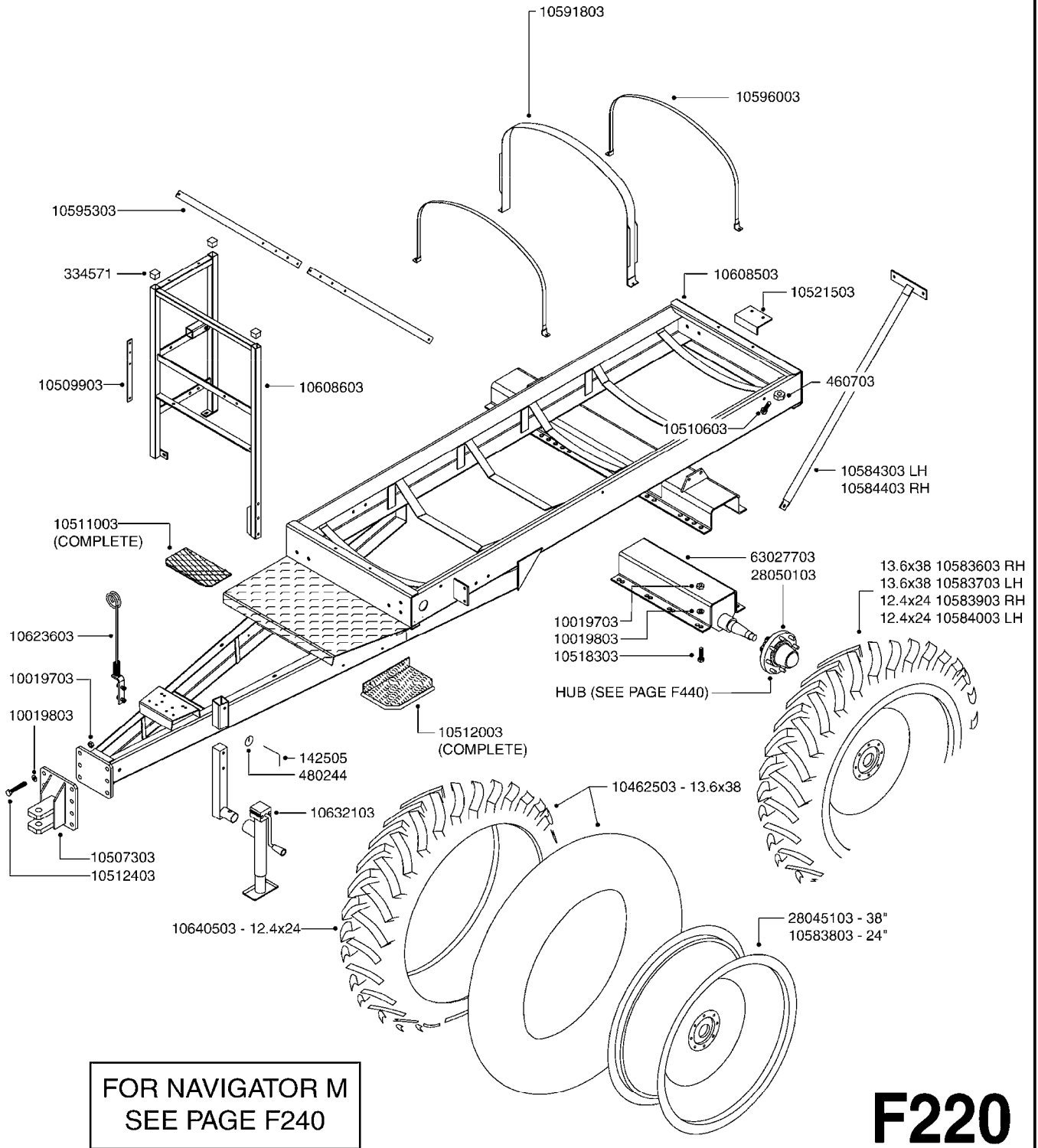


FRAME - TANGO/BRAVO/CONDOR 500
F211-HIN, 01:01:01

Page 1

Date 19.03.2013 9:51

parts-n°	order qty	description
149233	1	SPACER NUT
229048	1	SPRING F.FOOT STEP
249068	1	RUBBER BLOCKS 63X63X29
249102	1	TANK PACKING 15X60 EPDM-70
284235	1	GREASE NIPPLE M 6/100
340277	1	TANK PACKING - 40mm WIDE x 12"
349008	1	TANK PACKING - 120MM WIDEX12"
430721	1	BOLT HEX 8.8 DEL M12X40 FT
439014	1	BOLT HEX 8.8 DEL M12X35
460386	1	NUT HEX M12X1.75
460703	1	NUT HEX M12X1.75 LOCK
471071	1	WASHER M12 GALV
489025	1	"R" PIN D.4
619335	1	STEEL TANK STRAP L=1750 X 40
619336	1	STEEL TANK STRAP L=1950 X 120
619392	1	FOOT STEP TANGO/BRAVO/CONDOR
619397	1	MANIFOLD BRACKET CONDOR
619400	1	MUD SCRAPER CONDOR RH
619401	1	MUD SCRAPER CONDOR LH
619403	1	FRONT FRAME SUPPORT - CONDOR
639257	1	DRAWBAR F.TANGO/BRAVO/CONDOR
639312	1	FRAME CONDOR 500 GAL.
639318	1	TANK SUPPORT CONDOR 500 - RH
639319	1	TANK SUPPORT CONDOR 500 - LH
639328	1	FRONT TANK SUPPORT-CONDOR 500
639329	1	FOOT STEP MNT.BRKT. - CONDOR
739422	1	CPL. JACK STAND FOR TANGO
10006203	1	NUT HEX NC LOCK 5/8"
10057003	1	BOLT HEX 5/8 NC GR.5 02.50'
10059403	1	RIM 15X10 X 8-8-6 +1.062OFFSET
10242403	1	WASHER PLATE 9/16
10635503	1	INSERT ASSY MIST/BLWR 270/500G
10635903	1	CLAMP PLATE F.AXLE M/B 270/500
10636203	1	AXLE BEAM W/M M/B 270/500G
10638103	1	BOLT HEX 9/16 NF GR5 01.50'
10638203	1	NUT HEX NF 9/16'
10638303	1	WASHER LOCK 9/16'
24000603	1	TIRE 14L X 16.1 8 PLY
24001303	1	TIRE 12.5L-15SL 12 PLY
28006903	1	WHEEL RIM 16.1" X 11" 8-8-6"

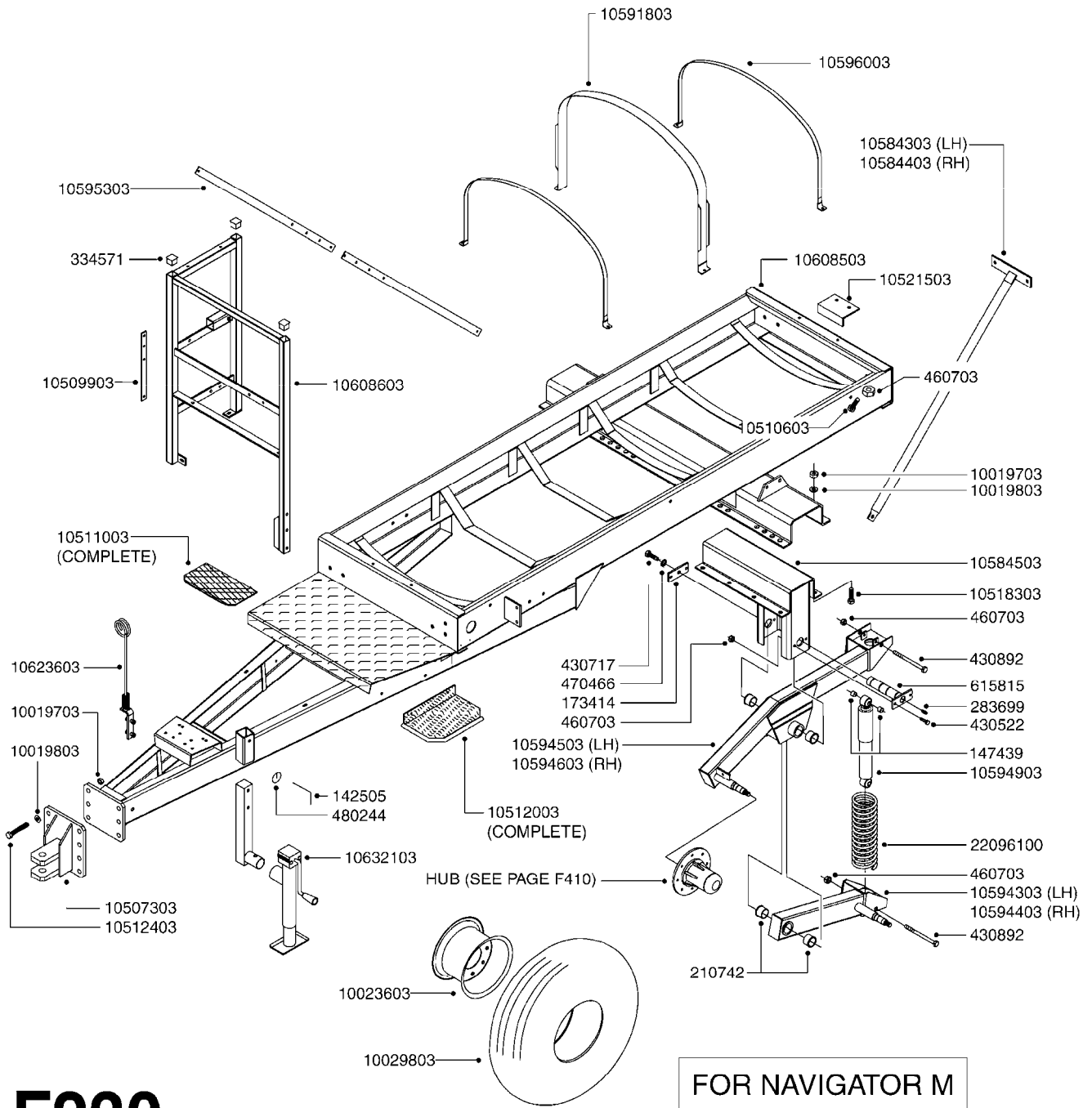




FRAME NAVIGATOR HC 550
F220-HIN, 21:05:09

Page 1
Date 19.03.2013 9:51

parts-n°	order qty	description
142505	1	LOCKING PAWL 12 X 70MM
334571	1	PLUG 40X40X2 F.SQ.TUBE
460703	1	NUT HEX M12X1.75 LOCK
480244	1	PIN SNAP D4.5
10019703	1	NUT HEX NC FHN 3/4-10 Z 5
10019803	1	WASHER LOCK L/W Z 3/4"
10462503	1	TIRE 11.2" X 38" 4 PLY TUBE L.
10507303	1	CLEVIS NAV.550/800/1000 GAL.
10509903	1	FLATBAR F.FILTER
10510603	1	BOLT F.ANCHOR STRAP
10511003	1	FRONT STEP ASSY.550/800/1000
10512003	1	SIDE STEP ASSY.550/800/1000
10512403	1	BOLT HEX 3/4 NC GR.8 02.25"
10518303	1	BOLT HEX 2&3/4 NC GR.8 3.00"
10521503	1	NAV TANK STOP BKT.KIT
10583603	1	TIRE ASSY 11.2X38 RH 8"BC
10583703	1	TIRE ASSY 11.2X38 LH 8"BC
10583803	1	RIM 24X10X8"BC 4-1/8"NEG OFFS
10583903	1	TIRE ASSY 12.4X24X8"BC RH TL
10584003	1	TIRE ASSY 12.4X24X8"BC LH TL
10584303	1	SIDE BRACE 550 L.H.
10584403	1	SIDE BRACE 550 R.H.
10591803	1	STRAP F. TANK REINFOR.550 NAV
10595303	1	FLATBAR SIDE STRAP F.NAV550
10596003	1	STRAP F.NAV TANK 550GAL L=86.2
10608503	1	FRAME NAVIGATOR 550-98
10608603	1	HANDRAIL NAV. 550-98
10623603	1	CABLE & HOSE HOLDER NAV.
10632103	1	JACK F RANGER 5000LB
10640503	1	TIRE 12.4 X 24" 6 PLY R1
28045103	1	RIM 38X10 8/8/6 4.18-OS GRAY
28050103	1	HUB F 3" 758 7500# PACKAGE
63027703	1	AXLE RANGER 60-98



F230

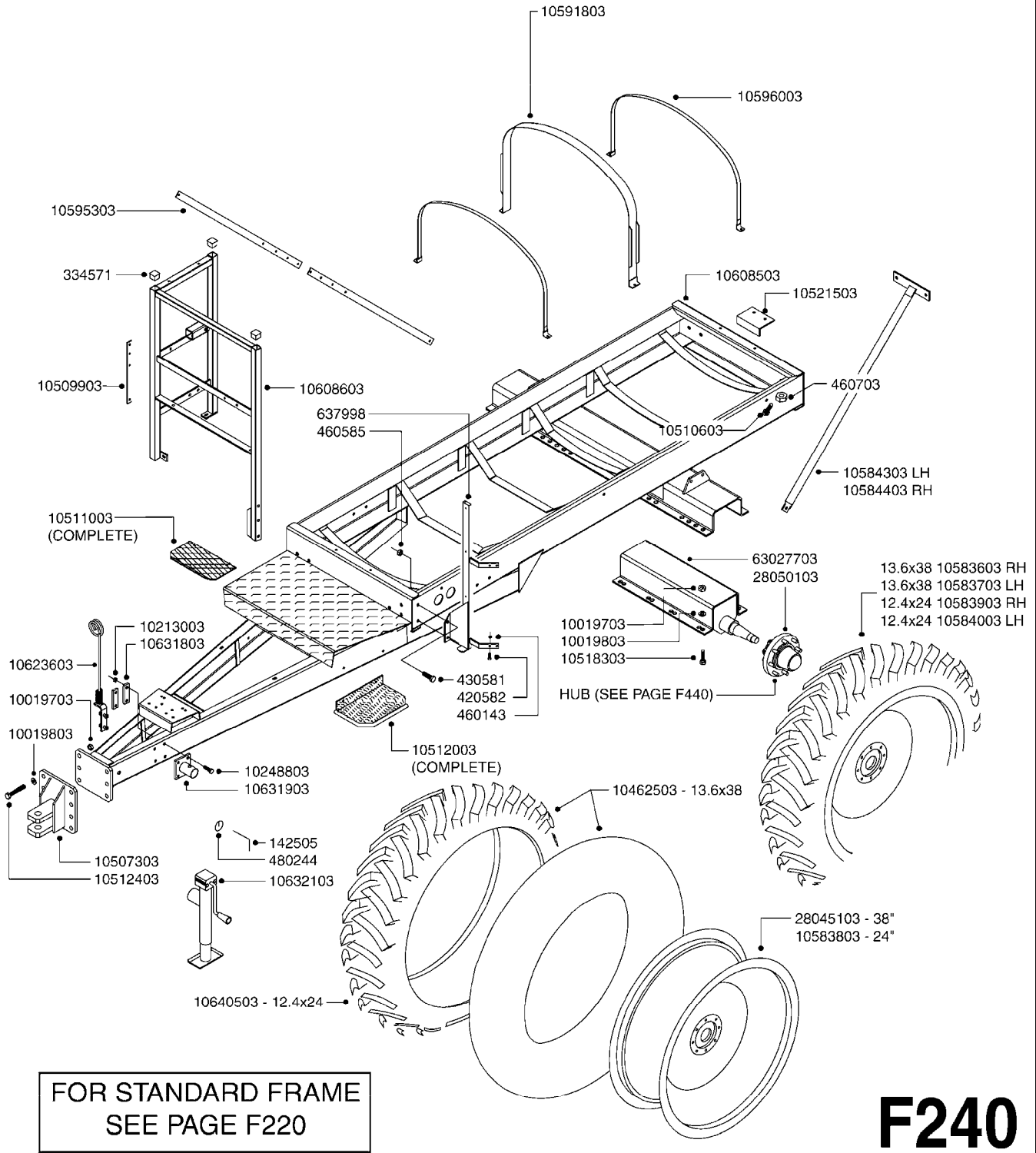
FOR NAVIGATOR M
SEE PAGE F250



FRAME NAVIGATOR STA 550
F230-HIN, 15:06:07

Page 1
Date 19.03.2013 9:51

parts-n°	order qty	description
142505	1	LOCKING PAWL 12 X 70MM
147439	1	BUSHING 019, O/013 L=20
173414	1	FLATBAR 60x10 L=130/2x013-1x01
210742	1	BUSHING TA500
283699	1	GREASE NIPPLE M6X1
334571	1	PLUG 40X40X2 F.SQ.TUBE
430522	1	BOLT HEX 8.8 DEL M12X25 FT
430717	1	BOLT HEX 8.8 RAW M12x40
430892	1	BOLT HEX 8.8 DEL M12X110
460703	1	NUT HEX M12X1.75 LOCK
470466	1	WASHER D21.1/D12.2X2.5 LOCK
480244	1	PIN SNAP D4.5
615815	1	BEARING BOLT 050 L=336
10019703	1	NUT HEX NC FHN 3/4-10 Z 5
10019803	1	WASHER LOCK L/W Z 3/4"
10023603	1	RIM 15 X 8 X 6 BOLT
10029803	1	TIRE & TUBE 11L15 8 PLY
10507303	1	CLEVIS NAV.550/800/1000 GAL.
10509903	1	FLATBAR F.FILTER
10510603	1	BOLT F.ANCHOR STRAP
10511003	1	FRONT STEP ASSY.550/800/1000
10512003	1	SIDE STEP ASSY.550/800/1000
10512403	1	BOLT HEX 3/4 NC GR.8 02.25"
10518303	1	BOLT HEX 2&3/4 NC GR.8 3.00"
10521503	1	NAV TANK STOP BKT.KIT
10584303	1	SIDE BRACE 550 L.H.
10584403	1	SIDE BRACE 550 R.H.
10584503	1	AXLE INSERT S.T.A.
10591803	1	STRAP F. TANK REINFOR.550 NAV
10594303	1	STA LOWER BEAMW/M W.SPINDLE LH
10594403	1	STA LOWER BEAMW/M W/SPINDLE RH
10594503	1	STA TOP BEAM W/M W/SPINDLE LH
10594603	1	STA TOP BEAM W/M W/SPINDLE RH
10594903	1	SHOCK ABSORBER STA
10595303	1	FLATBAR SIDE STRAP F.NAV550
10596003	1	STRAP F.NAV TANK 550GAL L=86.2
10608503	1	FRAME NAVIGATOR 550-98
10608603	1	HANDRAIL NAV. 550-98
10623603	1	CABLE & HOSE HOLDER NAV.
10632103	1	JACK F RANGER 5000LB
22096100	1	SPRING D146/20 BLACK



FOR STANDARD FRAME
SEE PAGE F220

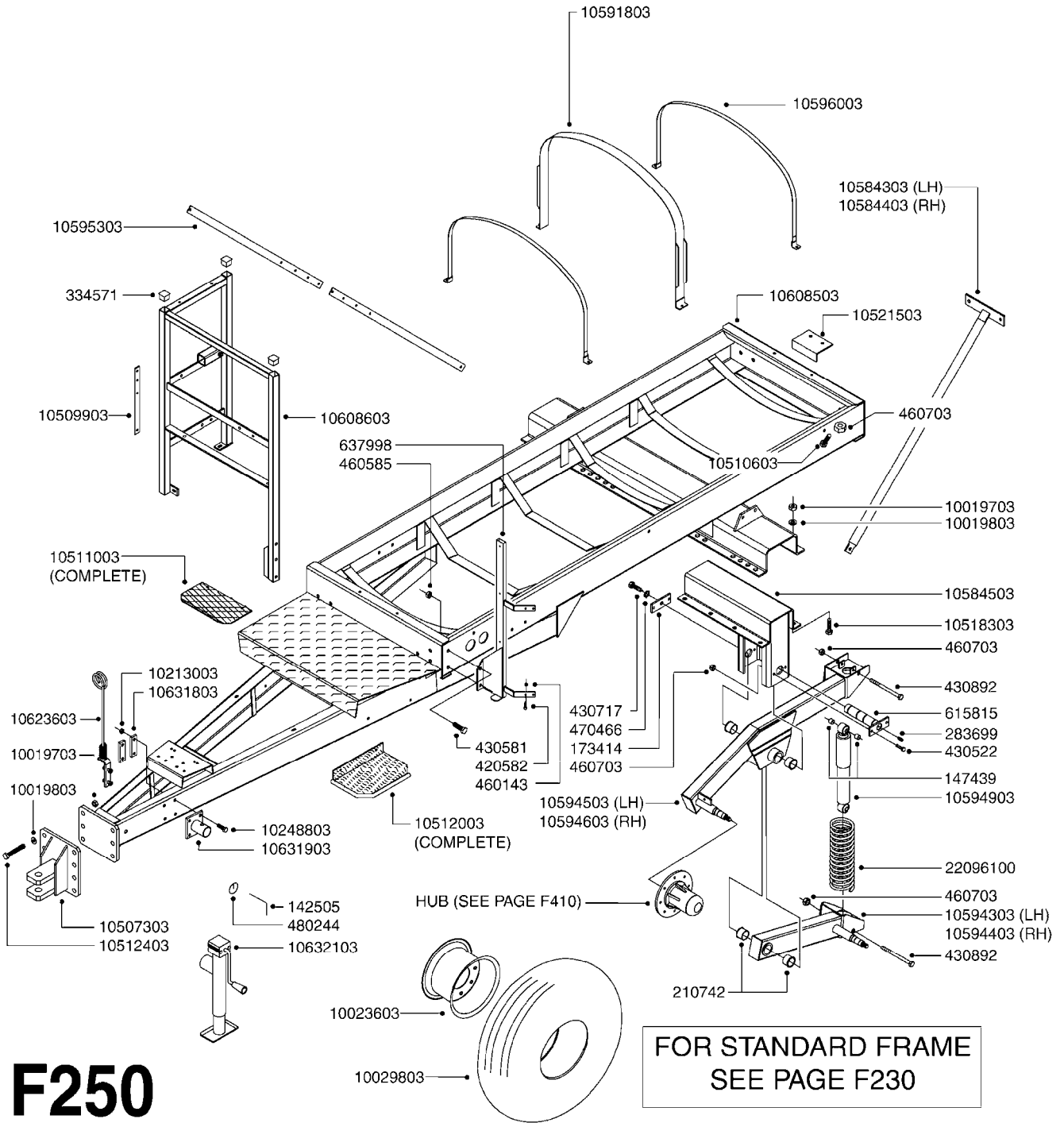
F240



FRAME - NAVIGATOR M HC 550
F240-HIN, 21:05:09

Page 1
Date 19.03.2013 9:51

parts-n°	order qty	description
142505	1	LOCKING PAWL 12 X 70MM
334571	1	PLUG 40X40X2 F.SQ.TUBE
420582	1	BOLT HEX 8.8 DEL M8X20 FT
430581	1	BOLT HEX 8.8 DEL M16X40 FT
460143	1	NUT HEX M8 LOCK
460585	1	NUT HEX M16X2 LOCK
460703	1	NUT HEX M12X1.75 LOCK
480244	1	PIN SNAP D4.5
637998	1	MANIFOLD BKT. NAVIGATOR
10019703	1	NUT HEX NC FHN 3/4-10 Z 5
10019803	1	WASHER LOCK L/W Z 3/4"
10213003	1	NUT HEX NC (NYLON LOCK) 7/16"
10248803	1	BOLT HEX 7/16 NC GR.2 02.00"
10462503	1	TIRE 11.2" X 38" 4 PLY TUBE L.
10507303	1	CLEVIS NAV.550/800/1000 GAL.
10509903	1	FLATBAR F.FILTER
10510603	1	BOLT F.ANCHOR STRAP
10511003	1	FRONT STEP ASSY.550/800/1000
10512003	1	SIDE STEP ASSY.550/800/1000
10512403	1	BOLT HEX 3/4 NC GR.8 02.25"
10518303	1	BOLT HEX 2&3/4 NC GR.8 3.00"
10521503	1	NAV TANK STOP BKT.KIT
10583603	1	TIRE ASSY 11.2X38 RH 8"BC
10583703	1	TIRE ASSY 11.2X38 LH 8"BC
10583803	1	RIM 24X10X8"BC 4-1/8"NEG OFFS
10583903	1	TIRE ASSY 12.4X24X8"BC RH TL
10584003	1	TIRE ASSY 12.4X24X8"BC LH TL
10584303	1	SIDE BRACE 550 L.H.
10584403	1	SIDE BRACE 550 R.H.
10591803	1	STRAP F. TANK REINFOR.550 NAV
10595303	1	FLATBAR SIDE STRAP F.NAV550
10596003	1	STRAP F.NAV TANK 550GAL L=86.2
10608503	1	FRAME NAVIGATOR 550-98
10608603	1	HANDRAIL NAV. 550-98
10623603	1	CABLE & HOSE HOLDER NAV.
10631803	1	FLATBAR 1/4" x 110MM F.JACK
10631903	1	JACK MOUNT NAV550/1000 W/MOUNT
10632103	1	JACK F RANGER 5000LB
10640503	1	TIRE 12.4 X 24" 6 PLY R1
28045103	1	RIM 38X10 8/8/6 4.18-OS GRAY
28050103	1	HUB F 3" 758 7500# PACKAGE
63027703	1	AXLE RANGER 60-98



F250



FRAME NAVIGATOR M STA 550
F250-HIN, 15:06:07

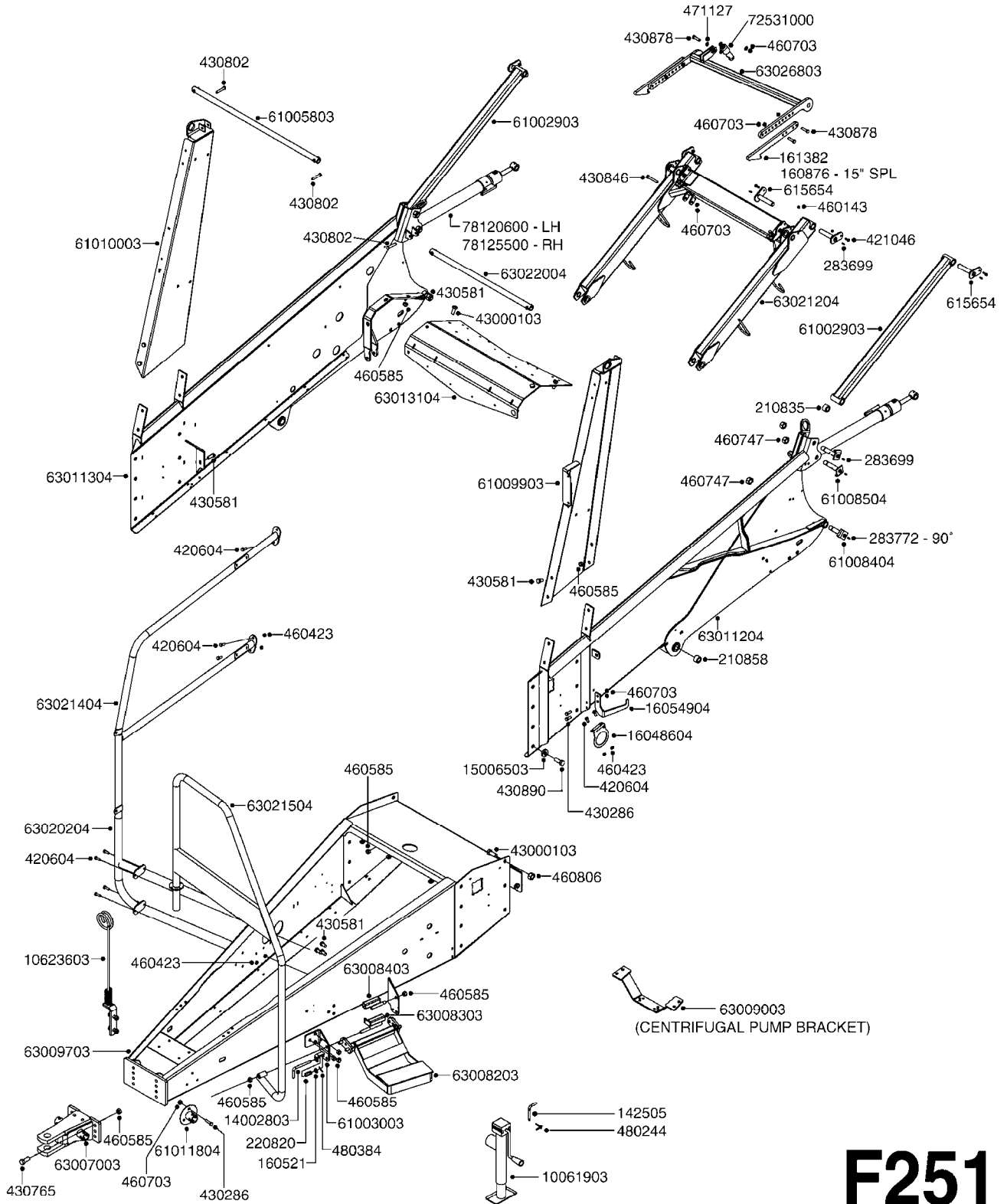
Page 1
Date 19.03.2013 9:52

parts-n°	order qty	description
142505	1	LOCKING PAWL 12 X 70MM
147439	1	BUSHING 019, O/013 L=20
173414	1	FLATBAR 60x10 L=130/2x013-1x01
210742	1	BUSHING TA500
283699	1	GREASE NIPPLE M6X1
334571	1	PLUG 40X40X2 F.SQ.TUBE
420582	1	BOLT HEX 8.8 DEL M8X20 FT
430522	1	BOLT HEX 8.8 DEL M12X25 FT
430581	1	BOLT HEX 8.8 DEL M16X40 FT
430717	1	BOLT HEX 8.8 RAW M12x40
430892	1	BOLT HEX 8.8 DEL M12X110
460143	1	NUT HEX M8 LOCK
460585	1	NUT HEX M16X2 LOCK
460703	1	NUT HEX M12X1.75 LOCK
470466	1	WASHER D21.1/D12.2X2.5 LOCK
480244	1	PIN SNAP D4.5
615815	1	BEARING BOLT 050 L=336
637998	1	MANIFOLD BKT. NAVIGATOR
10019703	1	NUT HEX NC FHN 3/4-10 Z 5
10019803	1	WASHER LOCK L/W Z 3/4"
10023603	1	RIM 15 X 8 X 6 BOLT
10029803	1	TIRE & TUBE 11L15 8 PLY
10213003	1	NUT HEX NC (NYLON LOCK) 7/16"
10248803	1	BOLT HEX 7/16 NC GR.2 02.00"
10507303	1	CLEVIS NAV.550/800/1000 GAL.
10509903	1	FLATBAR F.FILTER
10510603	1	BOLT F.ANCHOR STRAP
10511003	1	FRONT STEP ASSY.550/800/1000
10512003	1	SIDE STEP ASSY.550/800/1000
10512403	1	BOLT HEX 3/4 NC GR.8 02.25"
10518303	1	BOLT HEX 2&3/4 NC GR.8 3.00"
10521503	1	NAV TANK STOP BKT.KIT
10584303	1	SIDE BRACE 550 L.H.
10584403	1	SIDE BRACE 550 R.H.
10584503	1	AXLE INSERT S.T.A.
10591803	1	STRAP F. TANK REINFOR.550 NAV
10594303	1	STA LOWER BEAMW/M W.SPINDLE LH
10594403	1	STA LOWER BEAMW/M W/SPINDLE RH
10594503	1	STA TOP BEAM W/M W/SPINDLE LH
10594603	1	STA TOP BEAM W/M W/SPINDLE RH
10594903	1	SHOCK ABSORBER STA
10595303	1	FLATBAR SIDE STRAP F.NAV550
10596003	1	STRAP F.NAV TANK 550GAL L=86.2
10608503	1	FRAME NAVIGATOR 550-98
10608603	1	HANDRAIL NAV. 550-98
10623603	1	CABLE & HOSE HOLDER NAV.
10631803	1	FLATBAR 1/4" x 110MM F.JACK
10631903	1	JACK MOUNT NAV550/1000 W/MOUNT
10632103	1	JACK F RANGER 5000LB
22096100	1	SPRING D146/20 BLACK



FRAME "NEW" NAV 575
F251-HIN, 14:12:07

Page 0
Date 19.03.2013 9:52



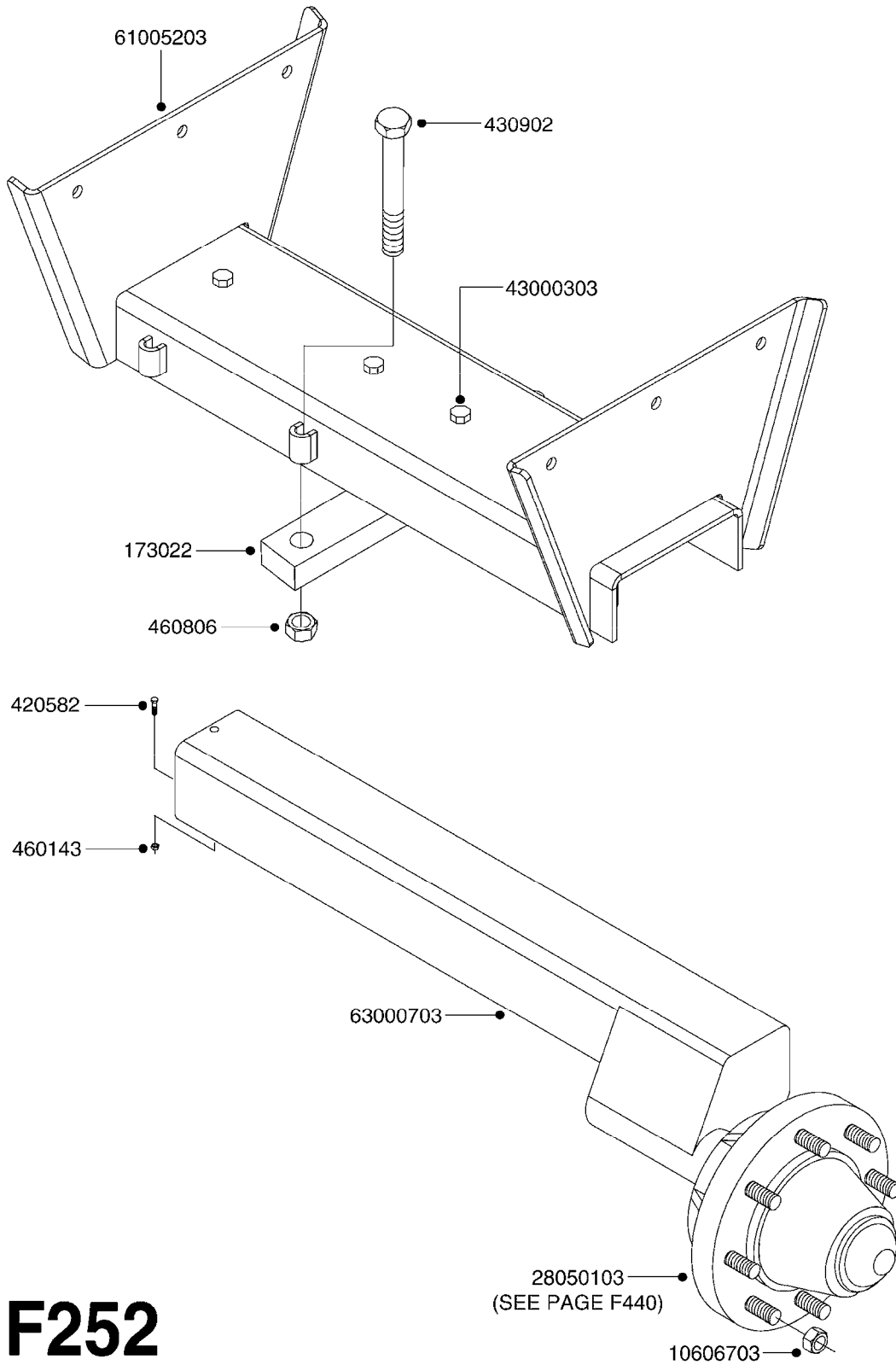
F251



FRAME "NEW" NAV 575
F251-HIN, 14:12:07

Page 1
Date 19.03.2013 9:52

parts-n°	order qty	description
142505	1	LOCKING PAWL 12 X 70MM
160521	1	WASHER D30.5/D13X2
160876	1	HOOK F.TRANSPORT LOCK L=280MM
161382	1	HOOK F.TRANSPORT LOCK L=340MM
210835	1	BUSHING D28/25 L=25
210858	1	BUSHING
220820	1	SPRING D20.5/2.0 0-50MM
283699	1	GREASE NIPPLE M6X1
283772	1	GREASE NIPPLE H3 M6 X 4
420604	1	BOLT HEX 8.8 DEL M10X25 FT
421046	1	BOLT HEX 8.8 DEL M8X25 FT
430286	1	BOLT HEX 8.8 DEL M12X30 FT
430581	1	BOLT HEX 8.8 DEL M16X40 FT
430765	1	BOLT HEX 8.8 DEL M16X55
430802	1	BOLT HEX 8.8 DEL M12X75
430846	1	BOLT HEX 8.8 DEL M12X80
430878	1	BOLT HEX 8.8 DEL M12X45
430890	1	BOLT HEX 8.8 DEL M20X50
460143	1	NUT HEX M8 LOCK
460423	1	NUT HEX M10X1.5 LOCK
460585	1	NUT HEX M16X2 LOCK
460703	1	NUT HEX M12X1.75 LOCK
460747	1	NUT HEX M24 LOCK
460806	1	NUT HEX M20X2.5 LOCK
471127	1	WASHER D24/D13X2.5 STAINLESS
480244	1	PIN SNAP D4.5
480384	1	PIN COTTER D5X40
615654	1	PIN D25 X 123 F. PARALIFT
10061903	1	JACK F300/500/575 5000LB
10623603	1	CABLE & HOSE HOLDER NAV.
14002803	1	PIN 1/2"Ø NAV STEP
15006503	1	WASHER FRAME BUSHING
16048604	1	QUICK FILL BKT. NAV. 575-1100
16054904	1	JACKSTAND SUPPORT 575 NAV.
43000103	1	BOLT HEX 8.8 CRG M16x2.0 40LG
61002903	1	LINK ARM F. PARALIFT NAV.
61003003	1	BRACKET FLSH TK +STEP 575 FNT
61005803	1	CROSSBAR FRONT NEW NAV
61008404	1	MOUNTING BOLT Ø25X90/M24
61008504	1	MOUNTING BOLT Ø25X98/M24
61009903	1	UPRIGHT PANEL LH 575 NAV.
61010003	1	UPRIGHT PANEL RH 575 NAV.
61011804	1	JACK STAND MT. NAV. 575
63007003	1	CLEVIS HITCH NAV. 1100
63008203	1	STEP F. PLATFORM 575-1100 NAV.
63008303	1	FLUSH TANK PIVOT FRONT NAV.
63008403	1	FLUSH TANK PIVOT REAR NAV.
63009003	1	CENTRIFUGAL PUMP BRACKET
63009703	1	DRAWBAR FRAME 575 NAVIGATOR
63011204	1	CHASSIS PANEL LH 575 NAVIGATOR
63011304	1	CHASSIS PANEL RH 575 NAVIGATOR
63013104	1	CROSS MEMBER REAR NAVIGATOR
63020204	1	BRACKET HANDRAIL MOUNT
63021204	1	PARALIFT WELDMENT NAV
63021404	1	HANDRAIL SIDE 575 NAV
63021504	1	HANDRAIL FRT 575 NAV
63022004	1	CROSSBAR REAR NAVIGATOR
63026803	1	TRANS. STOP BKT. PARALIFT NEW
72531000	1	CYL. D25/12-50/78124200 W/FITT
78120600	1	CYLINDER 60/25 X 662 NAV PAR
78125500	1	CYLINDER 60/25 X 662 NAV PAR R



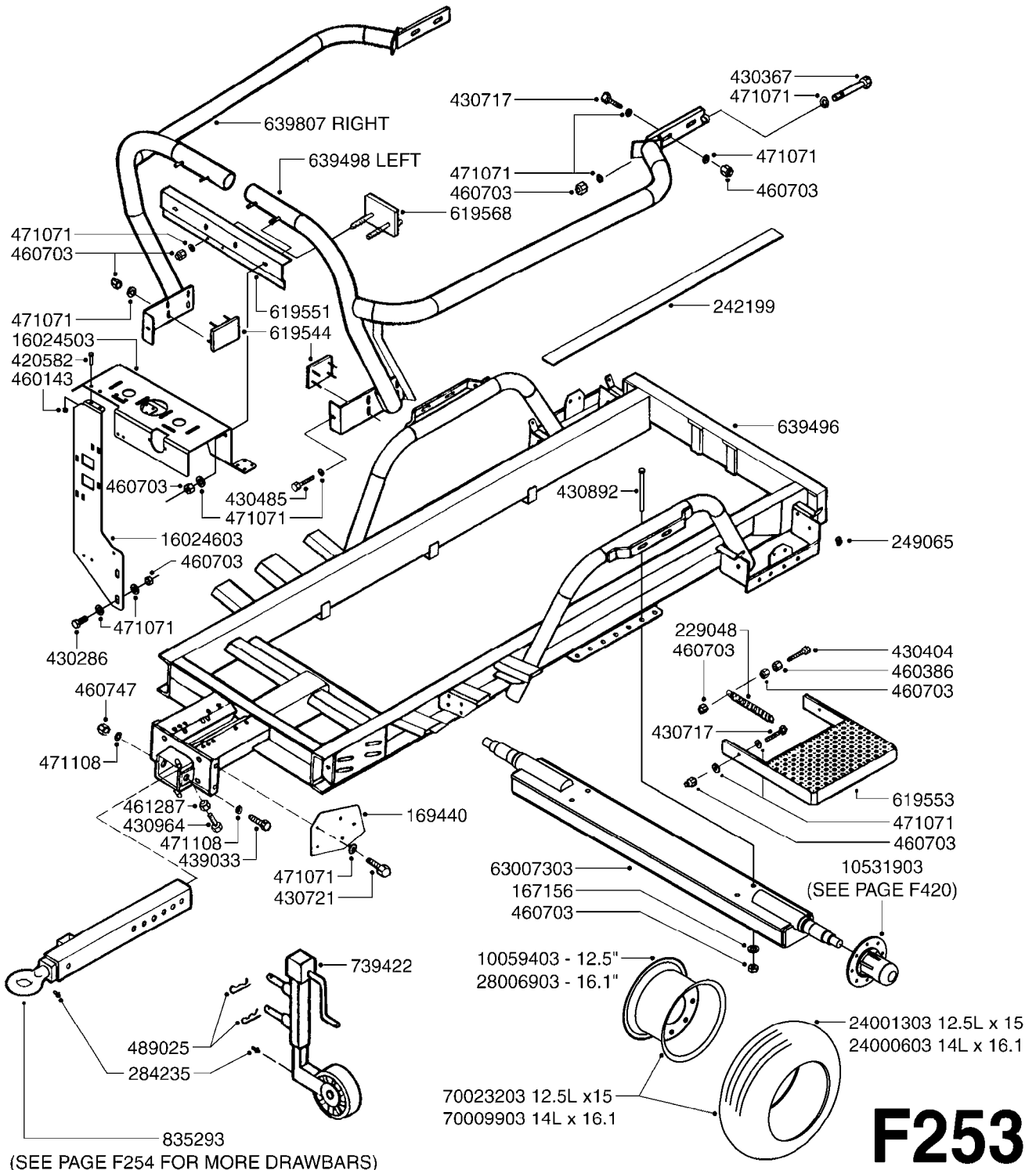


FIXED AXLE "NEW" NAV 575
F252-HIN, 21:05:09

Page 1

Date 19.03.2013 9:52

parts-n°	order qty	description
173022	1	FLATBAR 50X30 L=218/2XD22
420582	1	BOLT HEX 8.8 DEL M8X20 FT
430902	1	BOLT HEX 8.8 DEL M20X150
460143	1	NUT HEX M8 LOCK
460806	1	NUT HEX M20X2.5 LOCK
10606703	1	NUT HEX NF 5/8" FLANGED F.STUD
28050103	1	HUB F 3" 758 7500# PACKAGE
43000303	1	BOLT HEX 8.8 M20X200 BLACK
61005203	1	* AXLE NON-SUSP ADJ 575
63000703	1	AXLE INSERT W/M CM750



F253

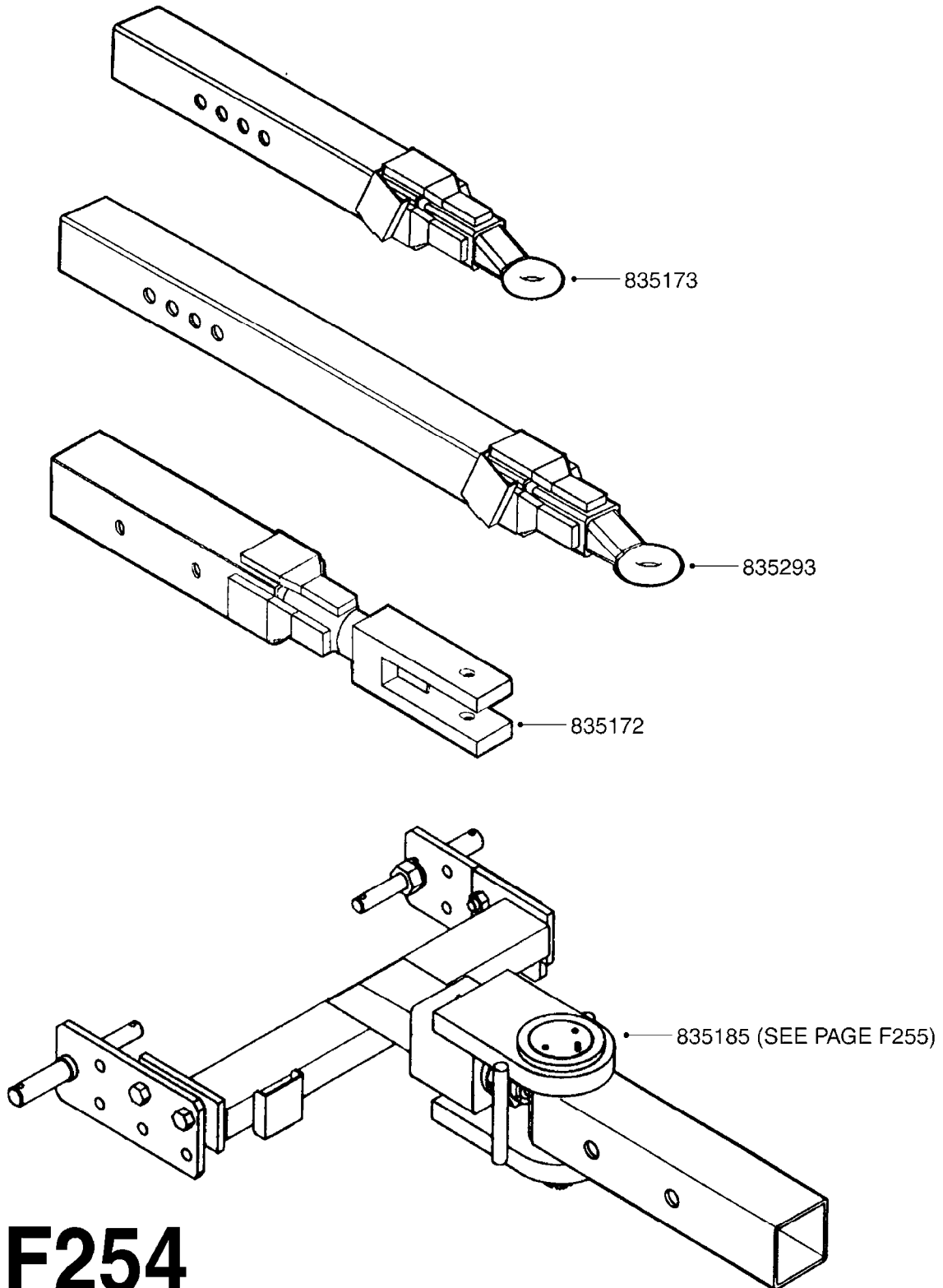


FRAME - MERCURY 600
F253-HIN, 02:11:10

Page 1

Date 19.03.2013 9:52

parts-n°	order qty	description
167156	1	WASHER D46.5/D12.4X2.5
169440	1	BRACKET F.SUCTION FILTER
229048	1	SPRING F.FOOT STEP
242199	1	TANK FRAME PACKING 1300X45X3
249065	1	TOP FOR FOOT STEP
284235	1	GREASE NIPPLE M 6/100
420582	1	BOLT HEX 8.8 DEL M8X20 FT
430286	1	BOLT HEX 8.8 DEL M12X30 FT
430367	1	BOLT HEX 8.8 DEL M12X100
430404	1	BOLT HEX 8.8 DEL M12X50
430485	1	BOLT HEX 8.8 DEL M12X90
430717	1	BOLT HEX 8.8 RAW M12x40
430721	1	BOLT HEX 8.8 DEL M12X40 FT
430892	1	BOLT HEX 8.8 DEL M12X110
430964	1	BOLT HEX M18X50
439033	1	BOLT HEX M24X170 GALV.
460143	1	NUT HEX M8 LOCK
460386	1	NUT HEX M12X1.75
460703	1	NUT HEX M12X1.75 LOCK
460747	1	NUT HEX M24 LOCK
461287	1	NUT HEX M18
471071	1	WASHER M12 GALV
471108	1	WASHER D44D25X4.5
489025	1	"R" PIN D.4
619544	1	FRONT PLATE - MERCURY FRAME
619551	1	FRONT BRACKET F.RAILING MR600
619553	1	FOOT STEP MERCURY
619568	1	TANK SUPPORT BRACKET
639496	1	FRAME - MERCURY 600
639498	1	RAILING - MERCURY 600 LEFT
639807	1	RAILING - MERCURY 600 RIGHT
739422	1	CPL. JACK STAND FOR TANGO
835293	1	DRAWBAR RING HITCH
10059403	1	RIM 15X10 X 8-8-6 +1.062OFFSET
10531903	1	HUB ASSY.COMP.F.2-1/8" SPINDLE
16024503	1	SUPPORT MANIFOLD MERCURY
16024603	1	SUPPORT HYD VALVE MISTBLOWER
24000603	1	TIRE 14L X 16.1 8 PLY
24001303	1	TIRE 12.5L-15SL 12 PLY
28006903	1	WHEEL RIM 16.1" X 11" 8-8-6"
63007303	1	AXLE WELDMENT FIXD MERCURY 600
70009903	1	WHEEL ASSY. 14L x 16.1 8PLY
70023203	1	TIRE ASSY 12.5L-15 12PLY8-8-6



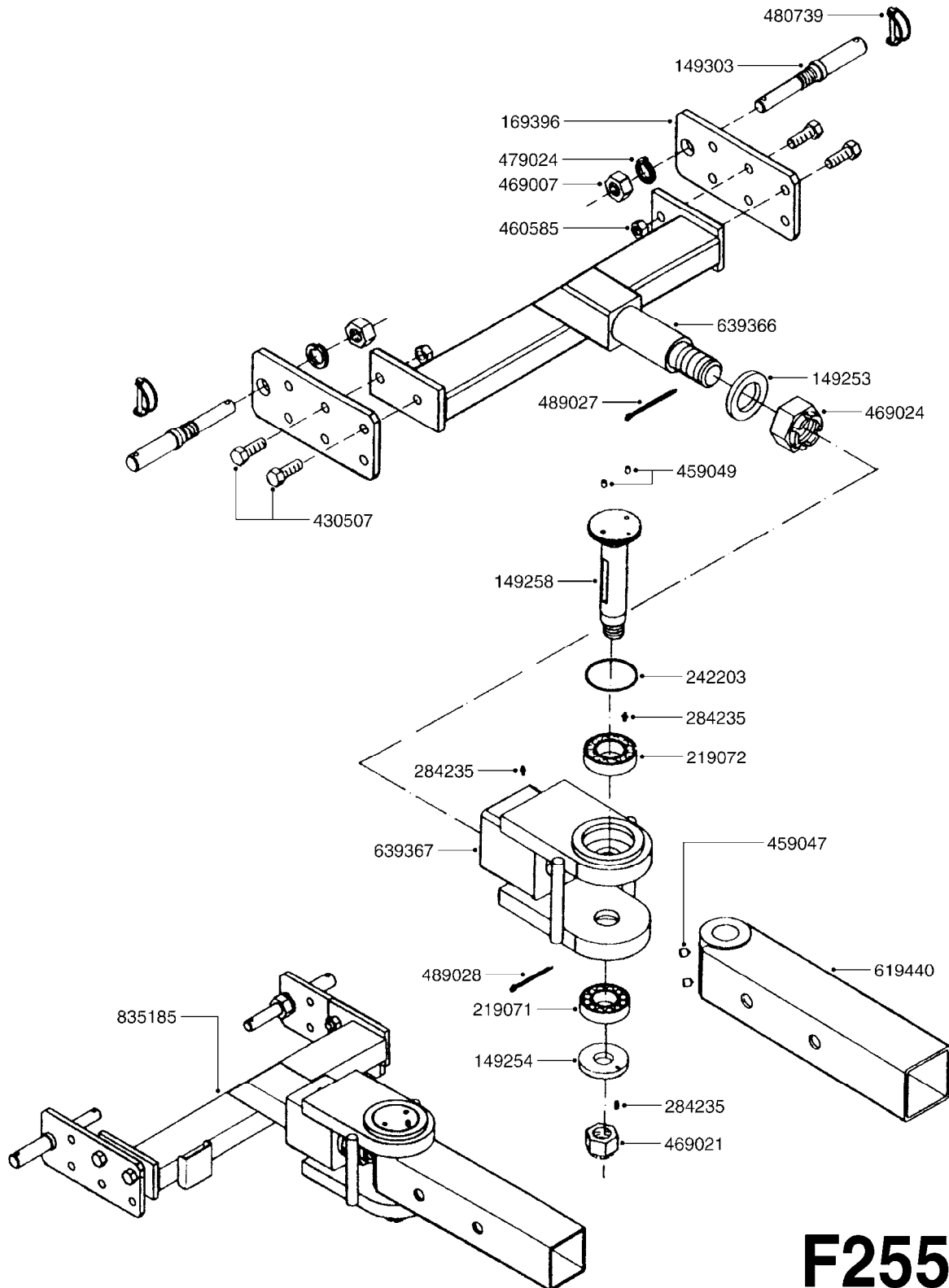


DRAWBARS - MERCURY/ARROW
F254-HIN, 12:12:05

Page 1

Date 19.03.2013 9:52

parts-n°	order qty	description
835172	1	DRAWBAR STD. F.TG BV CR
835173	1	DRAWBAR RING HITCH ARROW
835185	1	DRAWBAR TURNABLE F.TG BV CR
835293	1	DRAWBAR RING HITCH



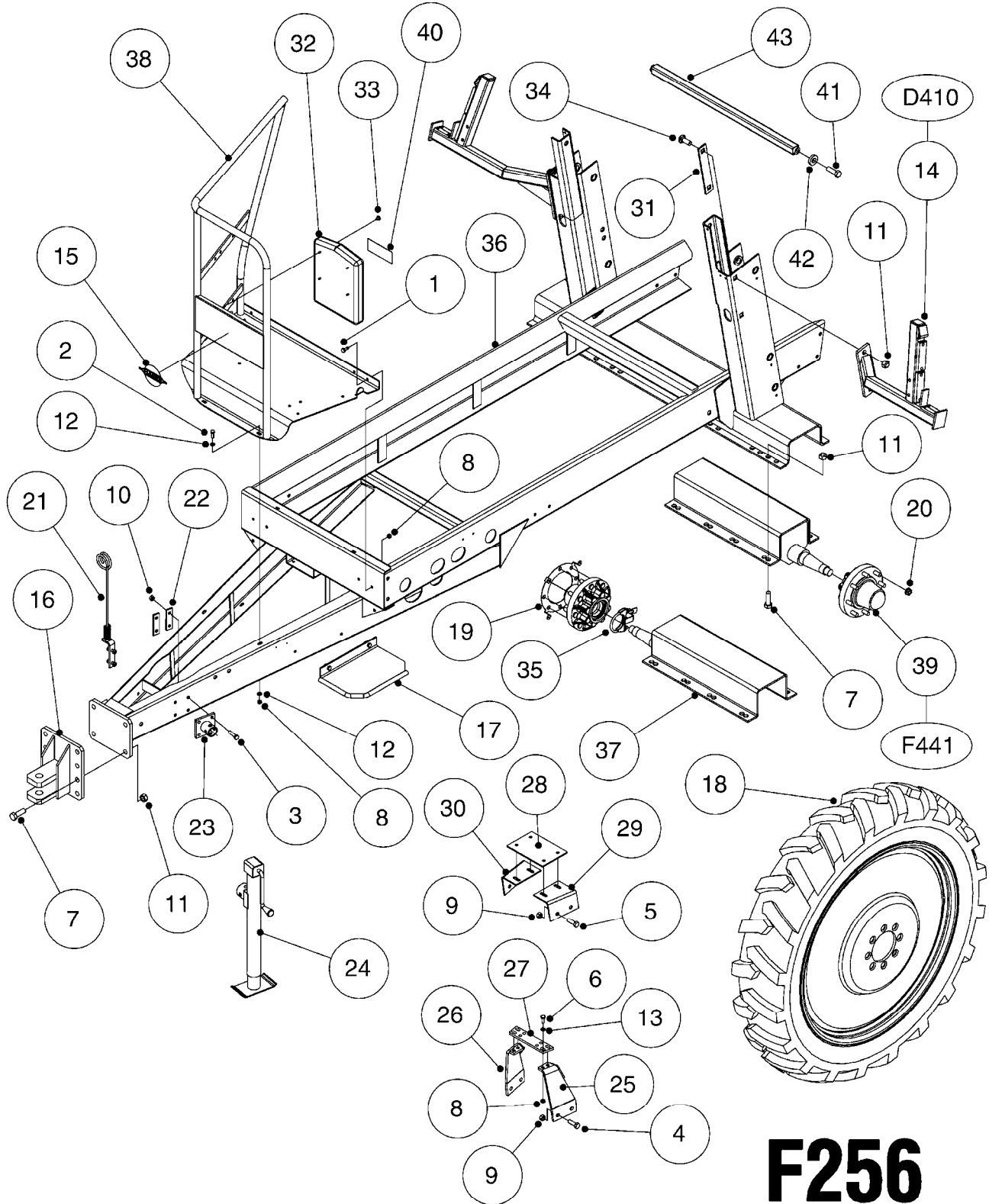


DRAWBAR - TURNABLE HITCH
F255-HIN, 01:01:01

Page 1

Date 19.03.2013 9:52

parts-n°	order qty	description
149253	1	WASHER D.80X50X10 TURN.HITCH
149254	1	WASHER D.80X32X10 TURN.HITCH
149258	1	PIN F.TURNABLE HITCH
149303	1	DRAW BOLTS
169396	1	PLATE F. TURNABLE DRAWBAR
219071	1	BEARING 30208A TURN.HITCH
219072	1	BEARING
242203	1	O-RING 79.5X72.5
284235	1	GREASE NIPPLE M 6/100
430507	1	BOLT HEX 8.8 DEL M16X45 FT
459047	1	SET SCREW ALLEN M12X25 DIN 914
459049	1	SET SCREW ALLEN M8X10 DIN 913
460585	1	NUT HEX M16X2 LOCK
469007	1	NUT 1" SAE
469021	1	CASTLE NUT 1-1/4"
469024	1	CASTLE NUT 1-3/4" TURN.HITCH
479024	1	WASHER LOCK D.26 DIN 127
480739	1	PIN SNAP D8 F.ROUND
489027	1	ROLL PIN 6 x 100
489028	1	COTTER PIN 6 X 8
619440	1	HEADTUBE FOR TURN.DRAWBAR
639366	1	CENTER BEAM TURN.HITCH
639367	1	CENTER PIVOT - TURN.HITCH
835185	1	DRAWBAR TURNABLE F.TG BV CR



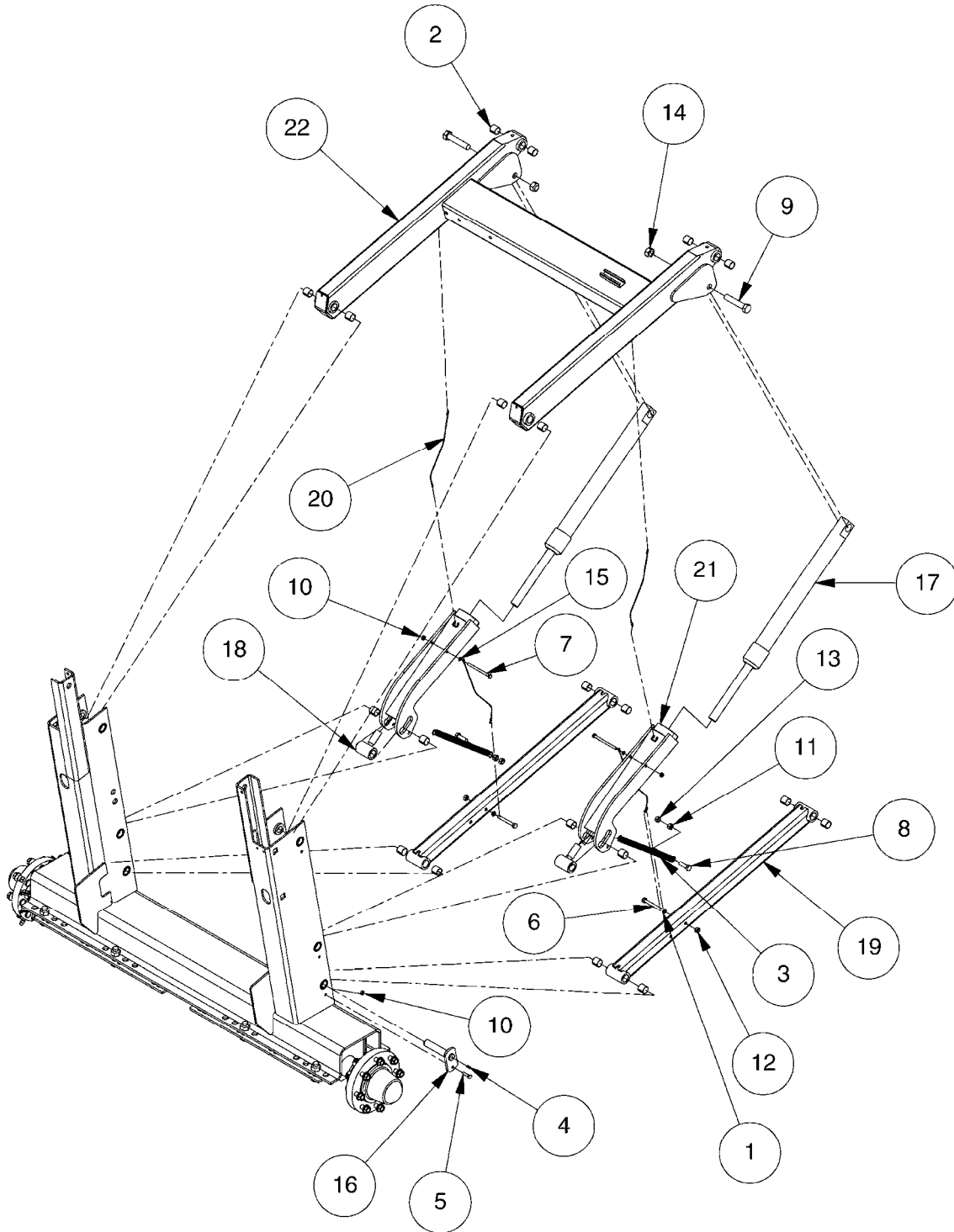
F256



FRAME - RANGER 2200
F256-HIN, 21:05:09

Page 1
Date 19.03.2013 9:52

Pos.	parts-n°	order qty	description
1	420604	1	BOLT HEX 8.8 DEL M10X25 FT
2	421002	1	BOLT HEX 8.8 DEL M10X30 FT
3	430404	1	BOLT HEX 8.8 DEL M12X50
4	430581	1	BOLT HEX 8.8 DEL M16X40 FT
5	430684	1	BOLT HEX 8.8 DEL M16X30 FT
6	430721	1	BOLT HEX 8.8 DEL M12X40 FT
7	430977	1	BOLT HEX M20X 60
8	460423	1	NUT HEX M10X1.5 LOCK
9	460585	1	NUT HEX M16X2 LOCK
10	460703	1	NUT HEX M12X1.75 LOCK
11	460806	1	NUT HEX M20X2.5 LOCK
12	471122	1	WASHER D20/D10.5X2 SS
13	471127	1	WASHER D24/D13X2.5 STAINLESS
14	637958	1	TRANS.BKT CM EAGLE45'-66' RH
14	637959	1	TRANS.BKT CM EAGLE45'-66' LH
15	976157	1	DECAL COMPANY (4.4" X 4.6")
16	10507303	1	CLEVIS NAV.550/800/1000 GAL.
17	10512003	1	SIDE STEP ASSY.550/800/1000
18	10462503	1	TIRE 11.2" X 38" 4 PLY TUBE L.
18	10583803	1	RIM 24X10X8"BC 4-1/8"NEG OFFS
18	10583903	1	TIRE ASSY 12.4X24X8"BC RH TL
18	10584003	1	TIRE ASSY 12.4X24X8"BC LH TL
18	10640503	1	TIRE 12.4 X 24" 6 PLY R1
18	28045103	1	RIM 38X10 8/8/6 4.18-OS GRAY
18	70030603	1	TIRE ASSY 11.2-38 RH
18	70030703	1	TIRE ASSY 11.2-38 LH
19	10587803	1	MAG MNT F. SPEED SNS 8 BOLT
20	10606703	1	NUT HEX NF 5/8" FLANGED F.STUD
21	10623603	1	CABLE & HOSE HOLDER NAV.
22	10631803	1	FLATBAR 1/4" x 110MM F.JACK
23	10631903	1	JACK MOUNT NAV550/1000 W/MOUNT
24	10632103	1	JACK F RANGER 5000LB
25	61004703	1	PUMP MT. TOWER L.H. ACE B.D.
26	61004603	1	PUMP MT. TOWER R.H. ACE B.D.
27	16054903	1	PUMP MT. PLATE ACE B.D.
28	16055603	1	PUMP MT. PLATE DIA. NAV. M
29	16055703	1	PUMP MT. PLATE L.H. DIA. NAV.M
30	16055803	1	PUMP MT. PLATE R.H. DIA. NAV.M
31	17012703	1	BAR, CRG BOLT RANGER FRAME
32	29003003	1	MANUAL HOLDER, FLAT
33	29003103	1	PLASTIC PUSH RIVET, 1/4" HOLE
34	43000203	1	BOLT HEX 8.8 CARRIAGE M20x2.5
35	61000503	1	SPEED SNS MNT CLAMP - 3"
36	63027303	1	FRAME, RANGER 550/2000/2200
37	63027703	1	AXLE RANGER 60-98
38	63027803	1	PLATFORM, RANGER 2000/2200
39	28050103	1	HUB F 3" 758 7500# PACKAGE
40	97607503	1	DECAL-OPERATOR'S MANUAL (LRG.)
41	430890	1	BOLT HEX 8.8 DEL M20X50
42	15006503	1	WASHER FRAME BUSHING
43	61011603	1	CROSS BAR RANGER FRAME



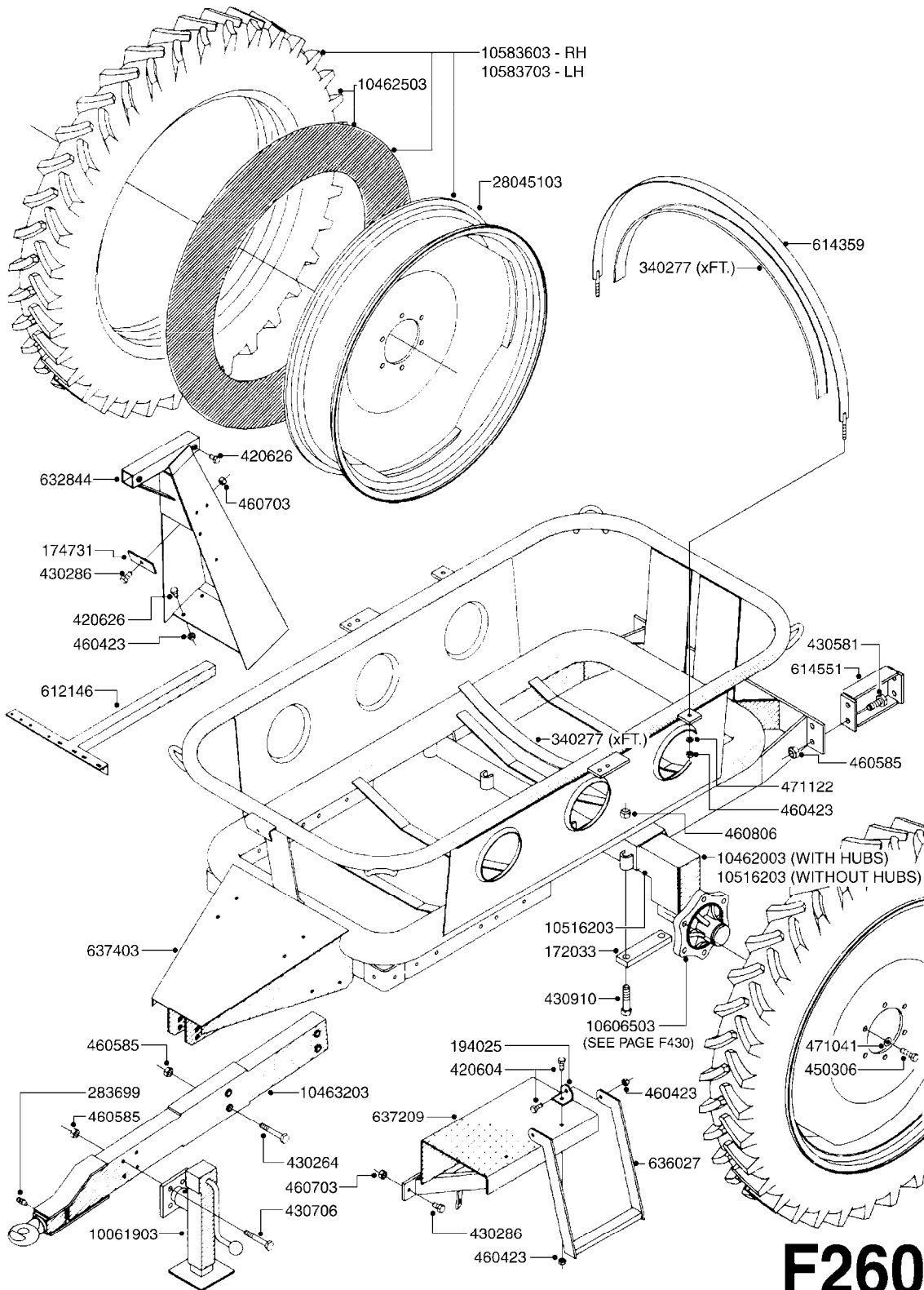
F257



PARALIFT - RANGER
F257-HIN, 12:11:10

Page 1
Date 19.03.2013 9:52

Pos.	parts-n°	order qty	description
1	163737	1	WASHER D15.5/D10.5X1
2	210835	1	BUSHING D28/25 L=25
3	220949	1	SPRING Ø20.0/3.0 L=240 BLACK
4	283699	1	GREASE NIPPLE M6X1
5	420567	1	BOLT HEX 8.8 DEL M8X30 FT
6	420884	1	BOLT HEX 8.8 DEL M10X80 FT
7	421232	1	BOLT HEX 8.8 DEL M8X110
8	430721	1	BOLT HEX 8.8 DEL M12X40 FT
9	430918	1	M20X100 DIN 931-8.8 DEL
10	460143	1	NUT HEX M8 LOCK
11	460386	1	NUT HEX M12X1.75
12	460423	1	NUT HEX M10X1.5 LOCK
13	460703	1	NUT HEX M12X1.75 LOCK
14	460806	1	NUT HEX M20X2.5 LOCK
15	471126	1	WASHER D16/D8.4X1.6 SS
16	615654	1	PIN D25 X 123 F. PARALIFT
17	781107	1	CYLINDER F.INNER WING FOLD NLA - ORDER 78128800 AND 63029803
17	78121200	1	CYLINDER F.INNER WING FOLD NLA - REPLACED BY 78128800
17	78128800	1	CYL.INNER WING FOLD 50/30-500 ONLY USE WITH 63029803 LOCKING ARM
18	61011803	1	ROD END M24X2 25M 06'07'
19	61011903	1	PAIRLIFT LINK ARM
20	61012003	1	WIRE Ø2 L"=457 +/-2MM
21	63027903	1	LOCKING ARM, PAIRLIFT RANGER ONLY USE WITH OBSOLETE CYLINDER 781107
21	63029803	1	LOCKING ARM, PARALIFT RG 2008 ONLY USE WITH CYLINDER 78121200 OR 78128800
22	63028003	1	PAIRLIFT LIFT ARM



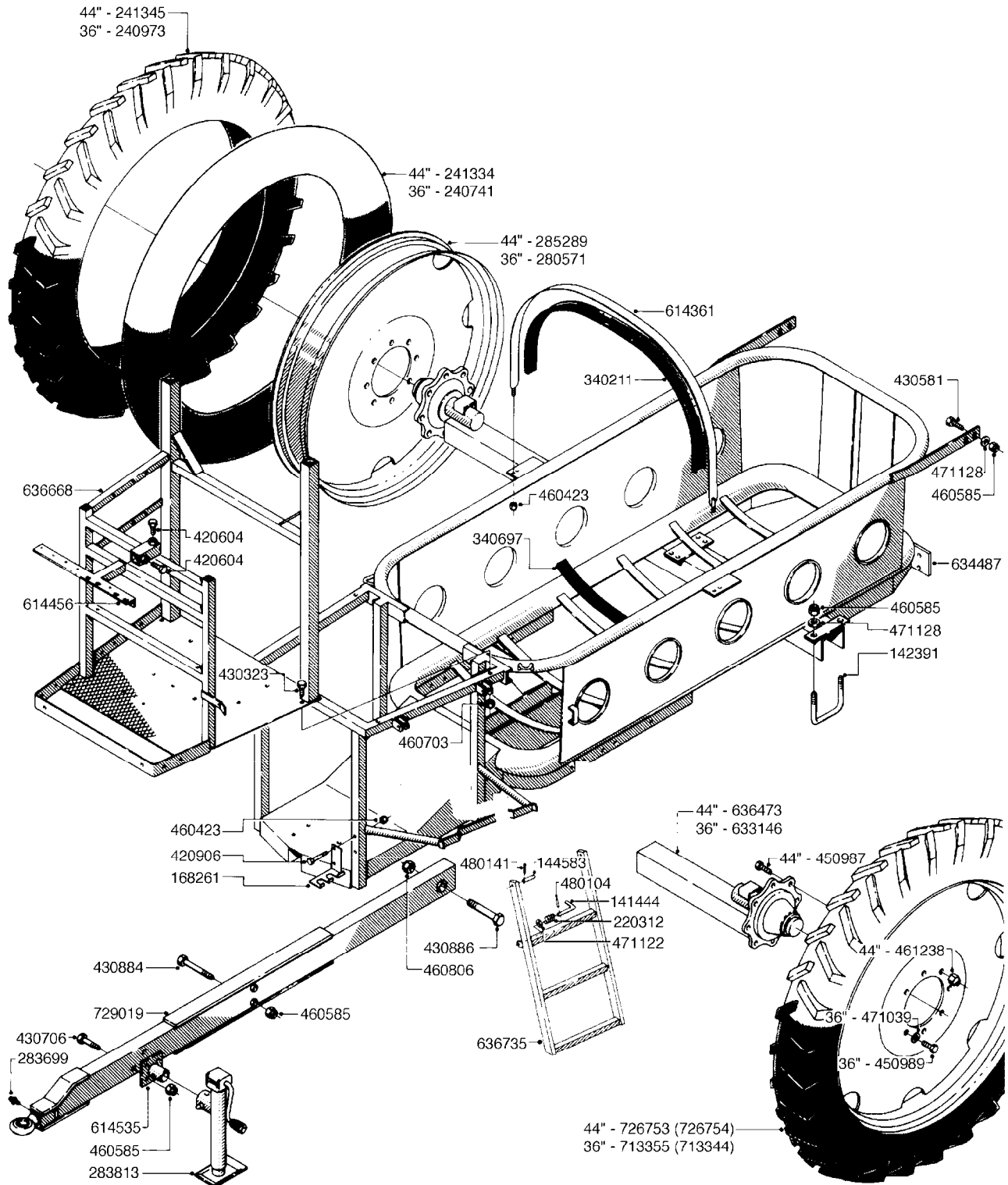
F260



FRAME HC 650 (PRE 94)
F260-HIN, 15:06:07

Page 1
Date 19.03.2013 9:52

parts-n°	order qty	description
172033	1	FLATBAR F.AXLE HC650M
174731	1	BRACKET F.CLAMP
194025	1	BRACKET F.STEP HC650
283699	1	GREASE NIPPLE M6X1
340277	1	TANK PACKING - 40mm WIDE x 12"
420604	1	BOLT HEX 8.8 DEL M10X25 FT
420626	1	BOLT HEX 8.8 DEL M10X20 FT
430264	1	BOLT HEX 8.8 DEL M16X100
430286	1	BOLT HEX 8.8 DEL M12X30 FT
430581	1	BOLT HEX 8.8 DEL M16X40 FT
430706	1	BOLT HEX 8.8 DEL M16X90
430910	1	BOLT HEX 8.8 DEL M20X110
450306	1	BOLT STUD F.ICM VS 500
460423	1	NUT HEX M10X1.5 LOCK
460585	1	NUT HEX M16X2 LOCK
460703	1	NUT HEX M12X1.75 LOCK
460806	1	NUT HEX M20X2.5 LOCK
471041	1	WASHER D14.5 SPRING
471122	1	WASHER D20/D10.5X2 SS
612146	1	BRACKET F.CONTROL UNIT HC650
614359	1	TANK STRAP LA265 L=81.5"
614551	1	SPACER BLOCK HC 650 EAGLE
632844	1	FRAME F. EC HC650
636027	1	STEP F.PLATFORM HC650
637209	1	PLATFORM HC650
637403	1	FRAME BARE HC650
10061903	1	JACK F300/500/575 5000LB
10462003	1	AXLE INSERT.ASSY.HC500/650
10462503	1	TIRE 11.2" X 38" 4 PLY TUBE L.
10463203	1	TONGUE FOR HC650 EAGLE
10516203	1	INSERT W/M 500/650HC W/SPINDLE
10583603	1	TIRE ASSY 11.2X38 RH 8"BC
10583703	1	TIRE ASSY 11.2X38 LH 8"BC
10606503	1	HUB ASSY.NAV550/800/1000 HC
28045103	1	RIM 38X10 8/8/6 4.18-OS GRAY



F270

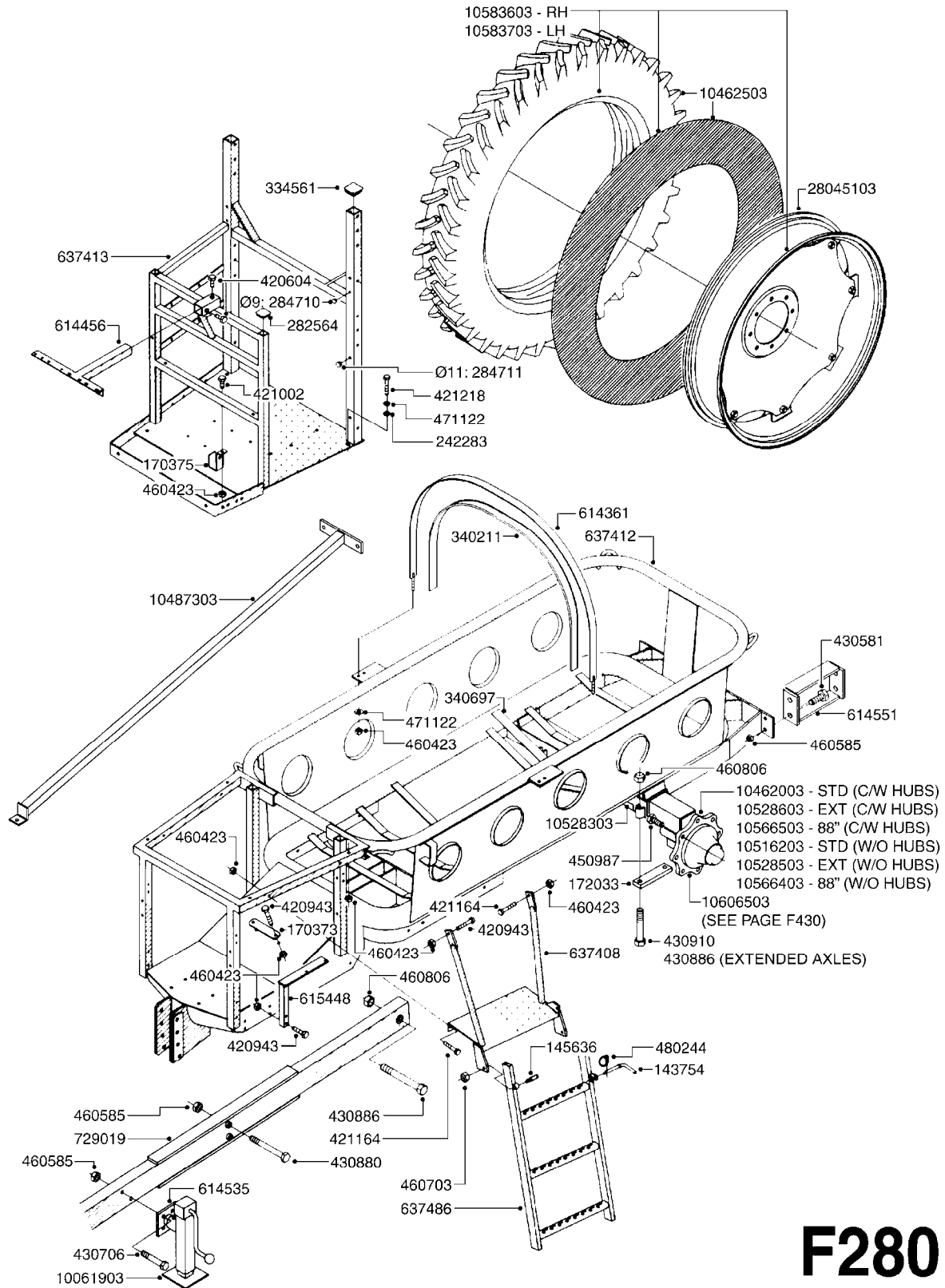


FRAME TWIN 650 (PRE 94)
F270-HIN, 01:01:01

Page 1

Date 19.03.2013 9:52

parts-n°	order qty	description
141444	1	HANDLE D10X175
142391	1	BOLT U D16X405
144583	1	PIN HINGE F.LADDER
168261	1	BRACKET FOR HYD HOSE
220312	1	SPRING
240741	1	INNER TUBE F. 9.5 X 36' RIM
240973	1	TIRE 9.5 X 36'-10 LAYER
241334	1	INNER TUBE F. 44' TIRE
241345	1	TIRE 9.5 X 44'
280571	1	WHEEL RIM W 8X36'-6-161-205
283699	1	GREASE NIPPLE M6X1
283813	1	JACK
285289	1	RIM 8 X 44-8 BOLT
340211	1	TANK STRAP PACKING 40X1800
340697	1	TANK PACKING 40X700
420604	1	BOLT HEX 8.8 DEL M10X25 FT
420906	1	BOLT HEX 8.8 DEL M10X60
430323	1	BOLT HEX 8.8 DEL M12X60
430581	1	BOLT HEX 8.8 DEL M16X40 FT
430706	1	BOLT HEX 8.8 DEL M16X90
430884	1	BOLT HEX 8.8 DEL M16X160
430886	1	BOLT HEX 8.8 DEL M20X160
450987	1	HUB BOLT M20 X 1.5 X 60 NAGBOL
450989	1	??
460423	1	NUT HEX M10X1.5 LOCK
460585	1	NUT HEX M16X2 LOCK
460703	1	NUT HEX M12X1.75 LOCK
460806	1	NUT HEX M20X2.5 LOCK
461238	1	HUB NUT M20X1.5MM R18
471039	1	WASHER D29D19 LOCK F.WHEEL
471122	1	WASHER D20/D10.5X2 SS
471128	1	WASHER D30/D17X3
480104	1	PIN RETAINING M3X16 GALV.
480141	1	PIN COTTER M4X20
614361	1	TANK STRAP HC650 L=92.5"
614456	1	BRACKET F.EC 3&4 BANK VALVES
614535	1	JACK MOUNTING WELDMENT HC950
633146	1	AXLE INS.6 BOLT HC650
634487	1	FRAME CPL TR650
636473	1	AXLE INSERT ASSY HDL 65-8 650
636668	1	PLATFORM F.HC950
636735	1	STEP HC950
713344	1	WHEEL ASSY.9.5'X36'RIGHT 10LAY
713355	1	WHEEL ASSY.9.5'X36'LEFT 10LAY
726753	1	WHEEL ASSY.8 BOLT 9.5X44 LEFT
726754	1	WHEEL ASSY.8 BOLT 9.5X44 RIGHT
729019	1	TONGUE HC650M/94



F280



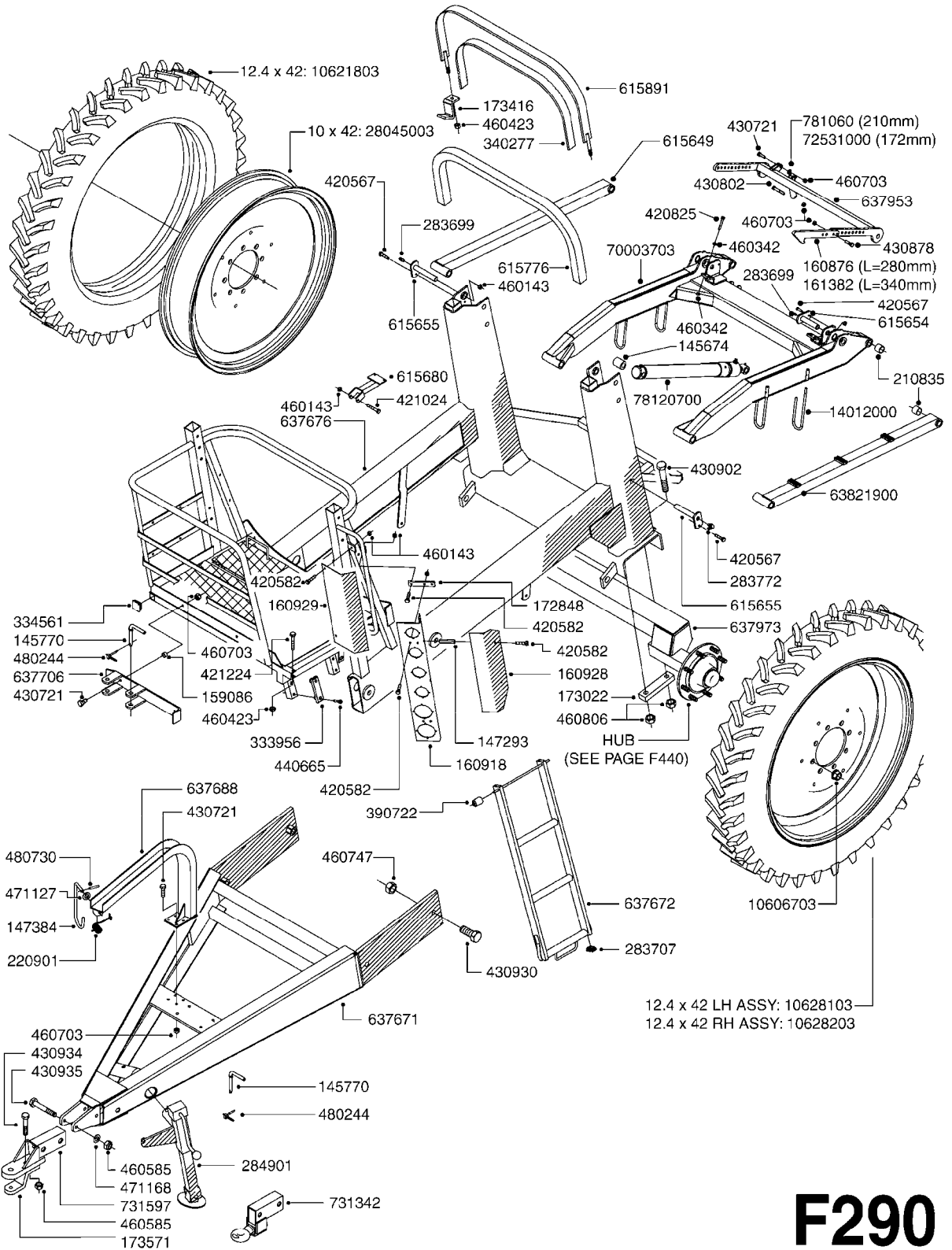
FRAME HC 650M/TWIN 650 POST 94
F280-HIN, 15:06:07

Page 1
Date 19.03.2013 9:52

parts-n°	order qty	description
143754	1	PIN D10 X 56
145636	1	PIN F.HINGE M12
170373	1	FLATBAR
170375	1	BRACKET F.HOSE
172033	1	FLATBAR F.AXLE HC650M
242283	1	SEAL RUBBER
282564	1	PLUG 35MM SQ.BLACK
284710	1	PLUG F.DRILLED HOLE D9MM
284711	1	PLUG F.DRILLED HOLE D11MM
334561	1	PLUG 50x50x2 F.SQ.TUBE
340211	1	TANK STRAP PACKING 40X1800
340697	1	TANK PACKING 40X700
420604	1	BOLT HEX 8.8 DEL M10X25 FT
420943	1	BOLT HEX 8.8 DEL M10X50
421002	1	BOLT HEX 8.8 DEL M10X30 FT
421164	1	BOLT HEX 8.8 DEL M10X70
421218	1	BOLT HEX 8.8 DEL M10X90
430581	1	BOLT HEX 8.8 DEL M16X40 FT
430706	1	BOLT HEX 8.8 DEL M16X90
430880	1	BOLT HEX 8.8 DEL M16X140
430886	1	BOLT HEX 8.8 DEL M20X160
430910	1	BOLT HEX 8.8 DEL M20X110
450987	1	HUB BOLT M20 X 1.5 X 60 NAGBOL
460423	1	NUT HEX M10X1.5 LOCK
460585	1	NUT HEX M16X2 LOCK
460703	1	NUT HEX M12X1.75 LOCK
460806	1	NUT HEX M20X2.5 LOCK
471122	1	WASHER D20/D10.5X2 SS
480244	1	PIN SNAP D4.5
614361	1	TANK STRAP HC650 L=92.5"
614456	1	BRACKET F.EC 3&4 BANK VALVES
614535	1	JACK MOUNTING WELDMENT HC950
614551	1	SPACER BLOCK HC 650 EAGLE
615448	1	BRACKET SUCTION MANIFOLD HC650
637408	1	PLATFORM EXTENTION HC650/950
637412	1	TANK FRAME BARE HC650M
637413	1	PLATFORM ASSY.HC650M/HC950M
637486	1	LADDER F. HC650M
729019	1	TONGUE HC650M/94
10061903	1	JACK F300/500/575 5000LB
10462003	1	AXLE INSERT.ASSY.HC500/650
10462503	1	TIRE 11.2" X 38" 4 PLY TUBE L.
10487303	1	SIDE BRACE W/M HC950 EAGLE
10516203	1	INSERT W/M 500/650HC W/SPINDLE
10528303	1	AXLE REINFORCE W/M 80" HC650M
10528503	1	INSERT W/M HC650M W/SPIND.LONG
10528603	1	AXLE INSERT ASSY.HC650M LONG
10566403	1	INSERT W/M HC650 88" W/SPINDLE
10566503	1	AXLE INSERT ASSY.HC650 88"
10583603	1	TIRE ASSY 11.2X38 RH 8"BC
10583703	1	TIRE ASSY 11.2X38 LH 8"BC
10606503	1	HUB ASSY.NAV550/800/1000 HC
28045103	1	RIM 38X10 8/8/6 4.18-OS GRAY



FRAME CM 750
F290-HIN, 14:12:07



F290



FRAME CM 750
F290-HIN, 14:12:07

Page 1
Date 19.03.2013 9:52

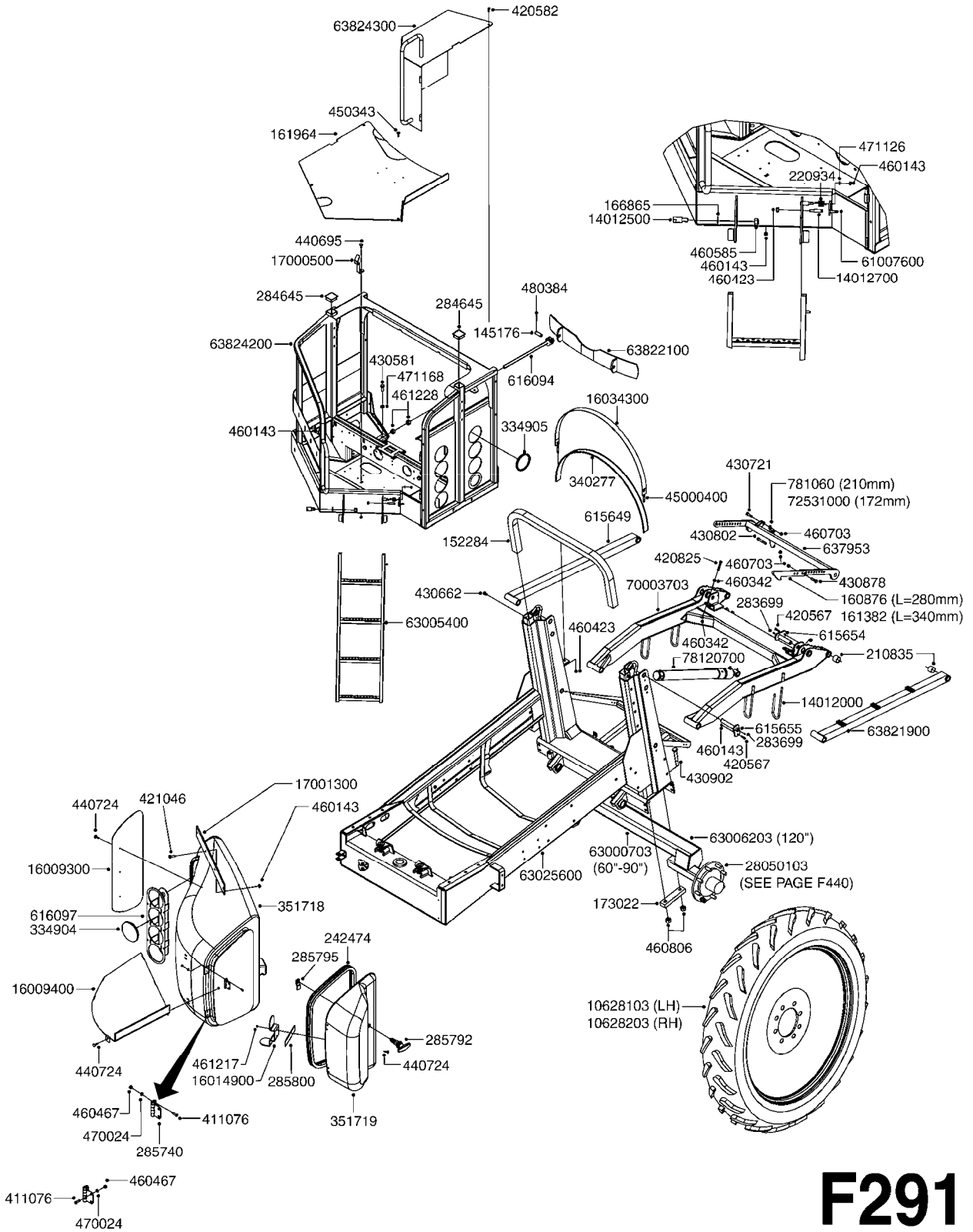
parts-n°	order qty	description
145674	1	DISTANCE RING 0 40/25 X 42.5
145770	1	LOCKING PAWL D16X110
147293	1	STUD M8 FEMALE L=80
147384	1	HOOK FOR PTO CM
159086	1	BUSHING D16.0/13.0 L=10MM
160876	1	HOOK F.TRANSPORT LOCK L=280MM
160918	1	BRACKET F. MANIFOLD CM
160928	1	COVER F. MANIFOLD RIGHT CM
160929	1	COVER F. MANIFOLD LEFT CM
161382	1	HOOK F.TRANSPORT LOCK L=340MM
172848	1	FLATBAR 30 X 8 L=140
173022	1	FLATBAR 50X30 L=218/2XD22
173416	1	TANK STRAP BRACKET CM750
173571	1	FLATBAR F. USA HITCH CM750
210835	1	BUSHING D28/25 L=25
220901	1	SPRING F. PTO HOOK CM
283699	1	GREASE NIPPLE M6X1
283707	1	PLUG 50X20X2
283772	1	GREASE NIPPLE H3 M6 X 4
284901	1	JACK COMPLETE FOR CM750
333956	1	SLIDE SHOE 91X25X10
334561	1	PLUG 50x50x2 F.SQ.TUBE
340277	1	TANK PACKING - 40mm WIDE x 12"
390722	1	BUSHING D26/11 L=32 F.LADDER
420567	1	BOLT HEX 8.8 DEL M8X30 FT
420582	1	BOLT HEX 8.8 DEL M8X20 FT
420825	1	BOLT HEX 8.8 DEL M10X65
421024	1	BOLT HEX 8.8 DEL M8X60
421224	1	BOLT HEX 8.8 DEL M10X55
430721	1	BOLT HEX 8.8 DEL M12X40 FT
430802	1	BOLT HEX 8.8 DEL M12X75
430878	1	BOLT HEX 8.8 DEL M12X45
430902	1	BOLT HEX 8.8 DEL M20X150
430930	1	BOLT HEX 8.8 DEL M24X70
430934	1	BOLT HEX 8.8 DEL M16X80
430935	1	BOLT HEX 8.8 DEL M16X130
440665	1	SCREW M4.2X16 STAINLESS
460143	1	NUT HEX M8 LOCK
460342	1	NUT HEX M10
460423	1	NUT HEX M10X1.5 LOCK
460585	1	NUT HEX M16X2 LOCK
460703	1	NUT HEX M12X1.75 LOCK
460747	1	NUT HEX M24 LOCK
460806	1	NUT HEX M20X2.5 LOCK
471127	1	WASHER D24/D13X2.5 STAINLESS
471168	1	WASHER SPECIAL M16 NORDLOCK
480244	1	PIN SNAP D4.5
480730	1	PIN ROLL 5X30 STAINLESS STEEL
615649	1	ARM UPPER F. PARALIFT
615654	1	PIN D25 X 123 F. PARALIFT
615655	1	PIN D25 X 156 F. PARALIFT
615680	1	MOUNT BKT.F.EC ON/OFF CM875
615776	1	BRACE FOR FRAME CM
615891	1	TANK STRAP CM750 L=68.5"
637671	1	DRAWBAR WELDMENT CM750
637672	1	LADDER F.CM
637676	1	PLATFORM CM750
637688	1	PTO SUPPORT ARM F. CM
637706	1	JACK STORAGE BRACKET
637953	1	TRANSPORT SAFETY HOOK ARM ASSY
637973	1	AXLE W/M CM 750



FRAME CM 750
F290-HIN, 14:12:07

Page 2
Date 19.03.2013 9:52

parts-n°	order qty	description
731342	1	HITCH SWIVEL KIT F. CM750
731597	1	HITCH CLEVIS KIT F.CM750
781060	1	CYLINDER D25/12-50 L=210mm
10606703	1	NUT HEX NF 5/8" FLANGED F.STUD
10621803	1	TIRE 12.4 X 42' 10 PLY R1
10628103	1	TIRE ASSY 12.4X42 10PLY 8BLTL
10628203	1	TIRE ASSY 12.4X42 10PLY 8BLTR
14012000	1	HOOK FOR HOSES PARALIFT
28045003	1	RIM 42X10 8/8/6 2.31-OS GRAY
63821900	1	PARALIFT ARM W/MOUNTS
70003703	1	PARALIFT CM BENT REINFORCED
72531000	1	CYL. D25/12-50/78124200 W/FITT
78120700	1	CYLINDER 60/25 X 725 CM PAR



F291



FRAME - CM+750
F291-HIN, 21:05:09

Page 1

Date 19.03.2013 9:52

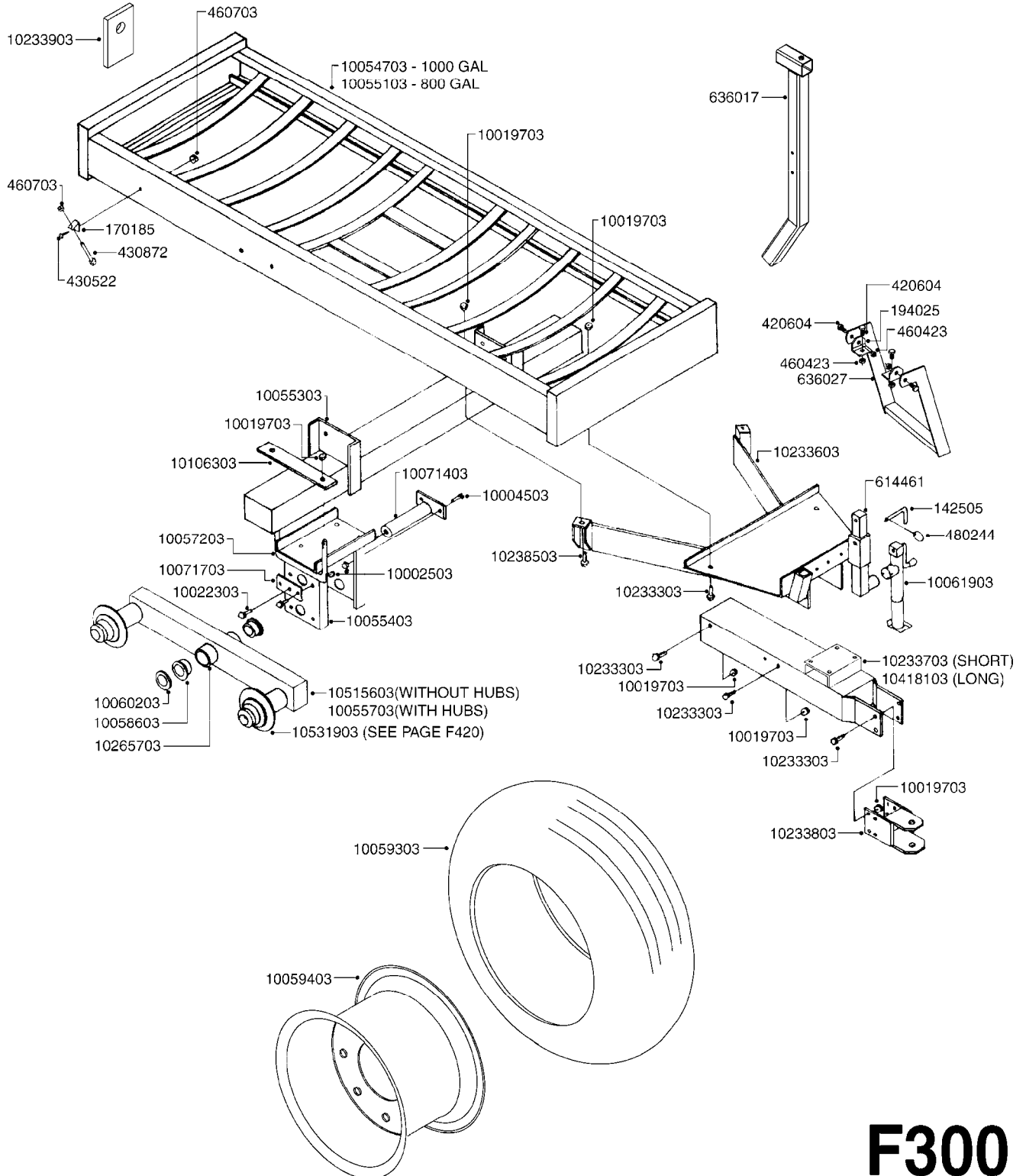
parts-n°	order qty	description
145176	1	PIN D19.8 X 60
152284	1	CROSSBAR F. FRAME TOWERS CM+
160876	1	HOOK F.TRANSPORT LOCK L=280MM
161382	1	HOOK F.TRANSPORT LOCK L=340MM
161964	1	PLATEFORM DECK PLATE CM+ 750
166865	1	WASHER D35/D25X2
173022	1	FLATBAR 50X30 L=218/2XD22
210835	1	BUSHING D28/25 L=25
220934	1	LAT.PRESS.SPRING D20/3 L=25 SS
242474	1	SEAL 16X28XL=' LOCKER DOOR CM+
283699	1	GREASE NIPPLE M6X1
284645	1	Plug 60x60x2
285740	1	HINGE
285792	1	LATCH LOCKER DOOR CM+
285795	1	LATCH PLATE LOCKER DOOR CM+
285800	1	VELCRO BAND
334904	1	PLUG D.108mm
334905	1	PLUG D.138mm
340277	1	TANK PACKING - 40mm WIDE x 12"
351718	1	LOCKER FRONT CM+
351719	1	DOOR LOCKER FRONT CM+
411076	1	SCREW M5X16 STAINLESS
420567	1	BOLT HEX 8.8 DEL M8X30 FT
420582	1	BOLT HEX 8.8 DEL M8X20 FT
420825	1	BOLT HEX 8.8 DEL M10X65
421046	1	BOLT HEX 8.8 DEL M8X25 FT
430581	1	BOLT HEX 8.8 DEL M16X40 FT
430662	1	BOLT HEX 8.8 DEL M12X20 FT
430721	1	BOLT HEX 8.8 DEL M12X40 FT
430802	1	BOLT HEX 8.8 DEL M12X75
430878	1	BOLT HEX 8.8 DEL M12X45
430902	1	BOLT HEX 8.8 DEL M20X150
440695	1	BOLT CARRIAGE M8X25
440724	1	CARRIAGE BOLT M5X20
450343	1	SCREW M8X30 ALLEN HEAD C/S SS
460143	1	NUT HEX M8 LOCK
460342	1	NUT HEX M10
460423	1	NUT HEX M10X1.5 LOCK
460467	1	NUT HEX M5 GALV.
460585	1	NUT HEX M16X2 LOCK
460703	1	NUT HEX M12X1.75 LOCK
460806	1	NUT HEX M20X2.5 LOCK
461217	1	NUT HEX M5 LOCK
461228	1	NUT HEX M20
470024	1	WASHER D5.3 LOCK
471126	1	WASHER D16/D8.4X1.6 SS
471168	1	WASHER SPECIAL M16 NORDLOCK
480384	1	PIN COTTER D5X40
615649	1	ARM UPPER F. PARALIFT
615654	1	PIN D25 X 123 F. PARALIFT
615655	1	PIN D25 X 156 F. PARALIFT
616094	1	THREADED FORK PLATFORM CM+
616097	1	MOUNT BRACKET GAUGES CM+
637953	1	TRANSPORT SAFETY HOOK ARM ASSY
781060	1	CYLINDER D25/12-50 L=210mm
10628103	1	TIRE ASSY 12.4X42 10PLY 8BLTL
10628203	1	TIRE ASSY 12.4X42 10PLY 8BLTR
14012000	1	HOOK FOR HOSES PARALIFT
14012500	1	THREADED PIN M16X62
14012700	1	PIN TREADED M8-1.25X58L
16009300	1	SHIELD F. FRONT LOCKER CM+



FRAME - CM+750
F291-HIN, 21:05:09

Page 2
Date 19.03.2013 9:52

parts-n°	order qty	description
16009400	1	SHELF F. LOCKER CM+
16014900	1	BKT F. FIRE EXTIG. CM+
16034300	1	TANK STRAP 2000mm CM+750
17000500	1	MT BKT CLEAN WATER BOT. CM+
17001300	1	BRACKET 60X6 L=536
28050103	1	HUB F 3" 758 7500# PACKAGE
45000400	1	T-BOLT SPECIAL F.TANK STRAP ES
61007600	1	HOOK FOR STEPS CM+
63000703	1	AXLE INSERT W/M CM750
63005400	1	LADDER CM+
63006203	1	AXLE INSERT C/W SPDL 120"CM750
63025600	1	MAIN FRAME 750 PLUS
63821900	1	PARALIFT ARM W/MOUNTS
63822100	1	TANK FRONT RESTRAINT
63824200	1	WORK PLATFORM 750 PLUS
63824300	1	MANIFOLD SHIELD CM+
70003703	1	PARALIFT CM BENT REINFORCED
72531000	1	CYL. D25/12-50/78124200 W/FITT
78120700	1	CYLINDER 60/25 X 725 CM PAR



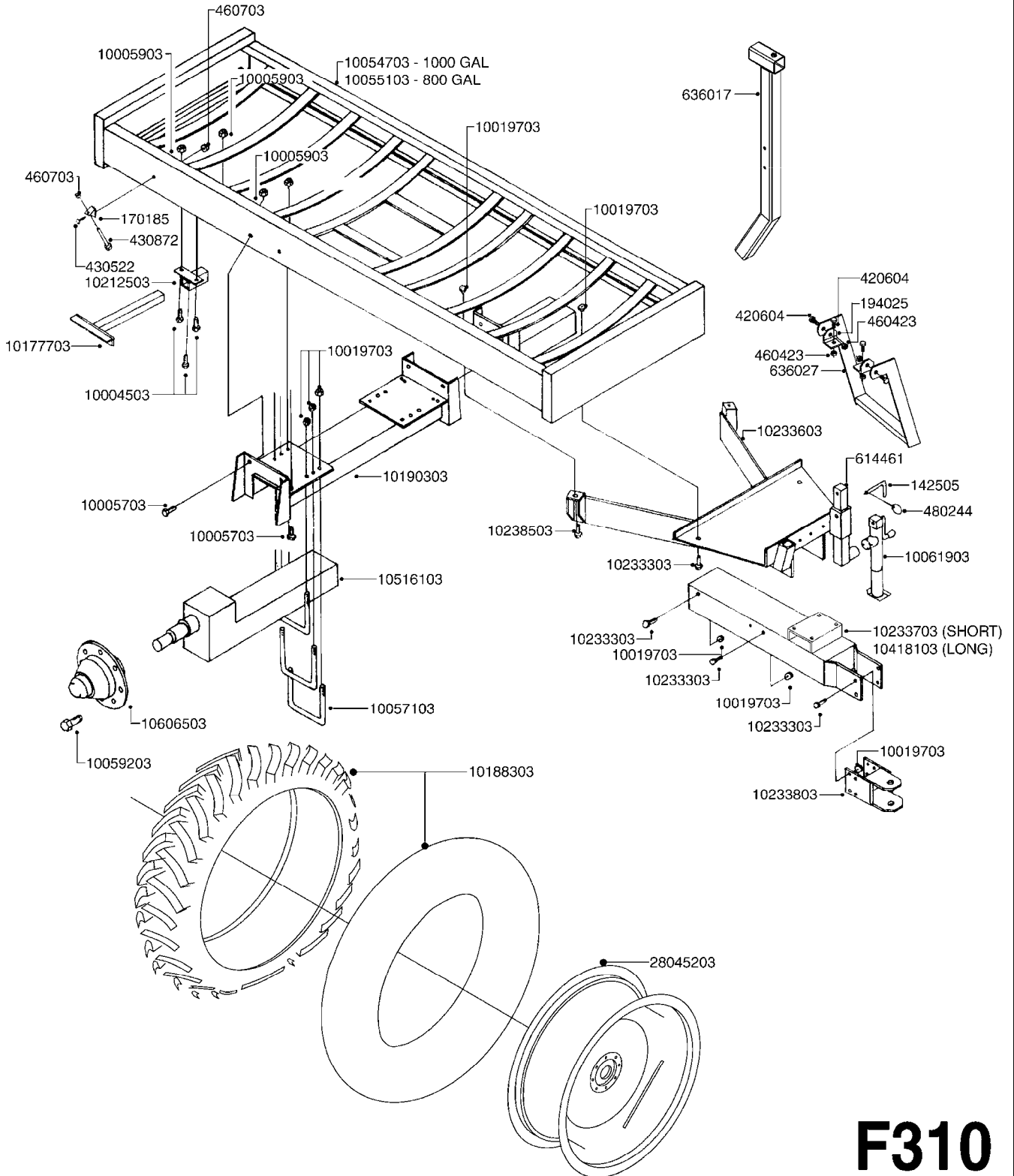
F300



FRAME TR 800/1000 TA
F300-HIN, 12:12:05

Page 1
Date 19.03.2013 9:52

parts-n°	order qty	description
10002503	1	NUT HEX NC 1/2"
10004503	1	BOLT HEX 1/2 NC GR.5 01.50"
10019703	1	NUT HEX NC FHN 3/4-10 Z 5
10022303	1	BOLT HEX 5/8 NC GR.2 01.00"
10054703	1	FRAME W/M TR1000
10055103	1	FRAME W/M TR800
10055303	1	AXLE W/M TR 1000
10055403	1	UPRIGHT W/M TR 1000
10055703	1	TANDEM BEAM & HUB ASSEMBLY
10057203	1	BOLT U 3/4 NC 8-7/8IW8-1/4IL
10058603	1	GARLOCK 2.5"DU 2.5" TA800/1000
10059303	1	SUBSTITUTE 24001303
10059403	1	RIM 15X10 X 8-8-6 +1.062OFFSET
10060203	1	BUSHING 2-9/16X3-1/2X1/8
10061903	1	JACK F300/500/575 5000LB
10071403	1	PIN W/M TR 1000
10071703	1	BRACKET-PIN W/M
10106303	1	U BAR 1000 GAL.
10233303	1	BOLT HEX 3/4 NC GR.5 02.00"
10233603	1	A FRAME & STEP 800/1000
10233703	1	TONGUE 800/1000
10233803	1	HITCH 800/1000
10233903	1	BACKING PLATE 800/1000
10238503	1	BOLT HEX 3/4 NC GR.5 02.50"
10265703	1	GREASE ZERK 5MM PRESS FIT
10418103	1	TONGUE TR800/1000
10515603	1	TANDEM BEAM W/M TR1000 W/SPIN.
10531903	1	HUB ASSY.COMP.F.2-1/8" SPINDLE
142505	1	LOCKING PAWL 12 X 70MM
170185	1	ANGLE BRACKET F. TANKSTRAP
194025	1	BRACKET F.STEP HC650
420604	1	BOLT HEX 8.8 DEL M10X25 FT
430522	1	BOLT HEX 8.8 DEL M12X25 FT
430872	1	BOLT HEX 8.8 DEL M12X100 FT
460423	1	NUT HEX M10X1.5 LOCK
460703	1	NUT HEX M12X1.75 LOCK
480244	1	PIN SNAP D4.5
614461	1	JACK STAND ATTACHMENT
636017	1	POST FOR EC CONTROL MOUNT
636027	1	STEP F.PLATFORM HC650



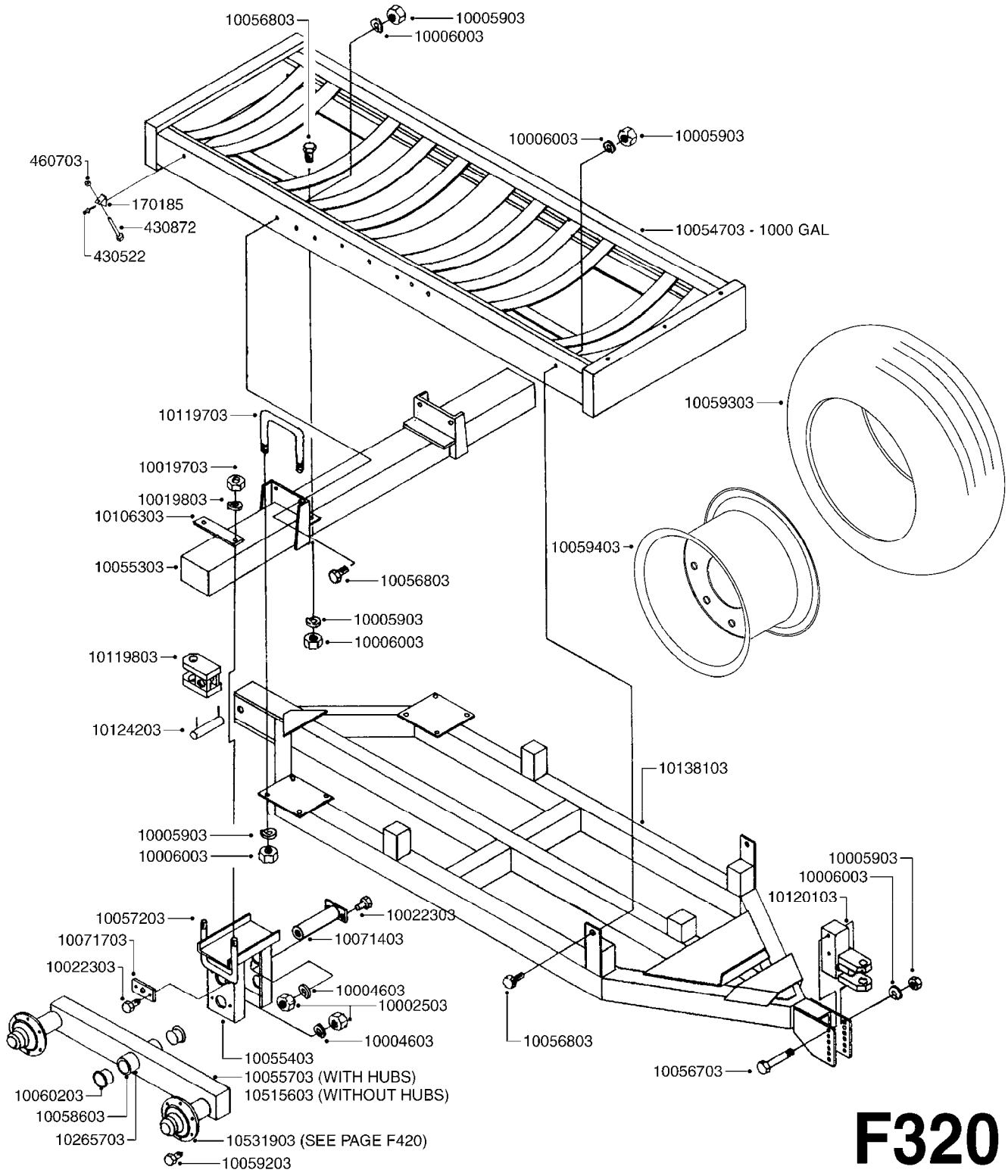
F310



FRAME HC 800/1000 SA
F310-HIN, 15:06:07

Page 1
Date 19.03.2013 9:52

parts-n°	order qty	description
142505	1	LOCKING PAWL 12 X 70MM
170185	1	ANGLE BRACKET F. TANKSTRAP
194025	1	BRACKET F.STEP HC650
420604	1	BOLT HEX 8.8 DEL M10X25 FT
430522	1	BOLT HEX 8.8 DEL M12X25 FT
430872	1	BOLT HEX 8.8 DEL M12X100 FT
460423	1	NUT HEX M10X1.5 LOCK
460703	1	NUT HEX M12X1.75 LOCK
480244	1	PIN SNAP D4.5
614461	1	JACK STAND ATTACHMENT
636017	1	POST FOR EC CONTROL MOUNT
636027	1	STEP F.PLATFORM HC650
10004503	1	BOLT HEX 1/2 NC GR.5 01.50"
10005703	1	BOLT HEX 5/8 NC GR.2 01.50"
10005903	1	NUT HEX NC 5/8" NYLOCK
10019703	1	NUT HEX NC FHN 3/4-10 Z 5
10054703	1	FRAME W/M TR1000
10055103	1	FRAME W/M TR800
10057103	1	BOLT U 3/4 NC 7-7/8IWX7-1/4IL
10059203	1	BOLT WHEEL 9/16"x1-1/4"UNF 90D
10061903	1	JACK F300/500/575 5000LB
10177703	1	SCRAPER MUD ICM VS 500
10188303	1	TIRE 13.6" X 38"
10190303	1	AXLE STRUT W/M 800 GAL.SINGLE
10212503	1	BKT.MUD SCRAPER ICM 500
10233303	1	BOLT HEX 3/4 NC GR.5 02.00"
10233603	1	A FRAME & STEP 800/1000
10233703	1	TONGUE 800/1000
10233803	1	HITCH 800/1000
10238503	1	BOLT HEX 3/4 NC GR.5 02.50"
10418103	1	TONGUE TR800/1000
10516103	1	INSERT W/M 800HC W/SPINDLE
10606503	1	HUB ASSY.NAV550/800/1000 HC
28045203	1	RIM 38X12 8/8/6 1.06-OS GRAY



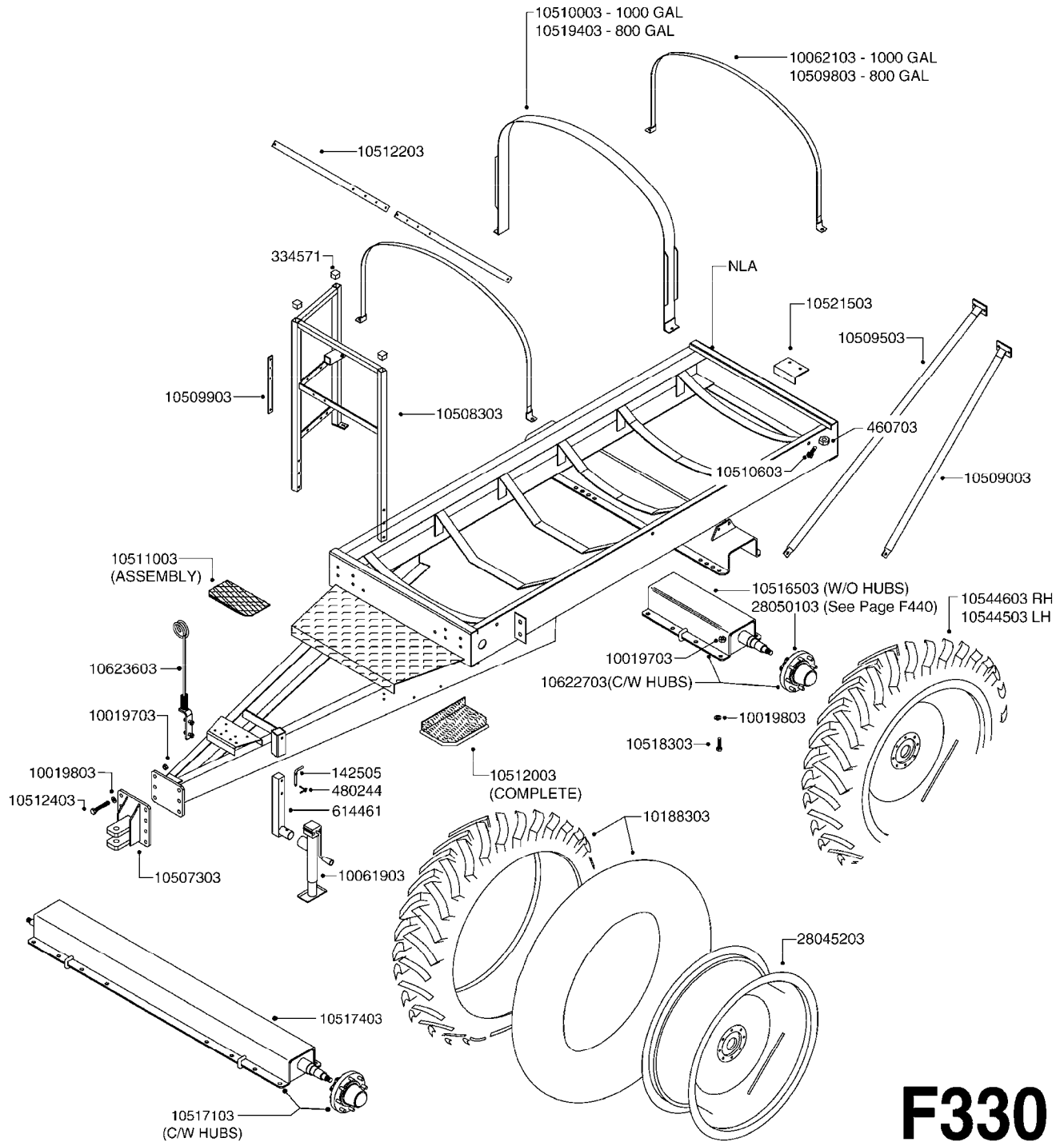
F320



FRAME TR 1000 C
F320-HIN, 12:12:05

Page 1
Date 19.03.2013 9:52

parts-n°	order qty	description
10002503	1	NUT HEX NC 1/2"
10004603	1	WASHER LOCK 1/2"
10005903	1	NUT HEX NC 5/8" NYLOCK
10006003	1	WASHER LOCK 5/8"
10019703	1	NUT HEX NC FHN 3/4-10 Z 5
10019803	1	WASHER LOCK L/W Z 3/4"
10022303	1	BOLT HEX 5/8 NC GR.2 01.00"
10054703	1	FRAME W/M TR1000
10055303	1	AXLE W/M TR 1000
10055403	1	UPRIGHT W/M TR 1000
10055703	1	TANDEM BEAM & HUB ASSEMBLY
10056703	1	BOLT HEX 5/8 NC GR.5 06.00"
10056803	1	BOLT HEX 5/8 NC GR.5 01.50"
10057203	1	BOLT U 3/4 NC 8-7/8IW8-1/4IL
10058603	1	GARLOCK 2.5"DU 2.5" TA800/1000
10059203	1	BOLT WHEEL 9/16"x1-1/4"UNF 90D
10059303	1	SUBSTITUTE 24001303
10059403	1	RIM 15X10 X 8-8-6 +1.062OFFSET
10060203	1	BUSHING 2-9/16X3-1/2X1/8
10071403	1	PIN W/M TR 1000
10071703	1	BRACKET-PIN W/M
10106303	1	U BAR 1000 GAL.
10119703	1	BOLT U 3/4 NC 8-1/4IWX7-1/2IL
10119803	1	HITCH REAR
10120103	1	HITCH FRONT
10124203	1	PIN 1-1/2 X 8"
10138103	1	SUB FRAME W/DECAL TR1000C
10265703	1	GREASE ZERK 5MM PRESS FIT
10515603	1	TANDEM BEAM W/M TR1000 W/SPIN.
10531903	1	HUB ASSY.COMP.F.2-1/8" SPINDLE
170185	1	ANGLE BRACKET F. TANKSTRAP
430522	1	BOLT HEX 8.8 DEL M12X25 FT
430872	1	BOLT HEX 8.8 DEL M12X100 FT
460703	1	NUT HEX M12X1.75 LOCK



F330

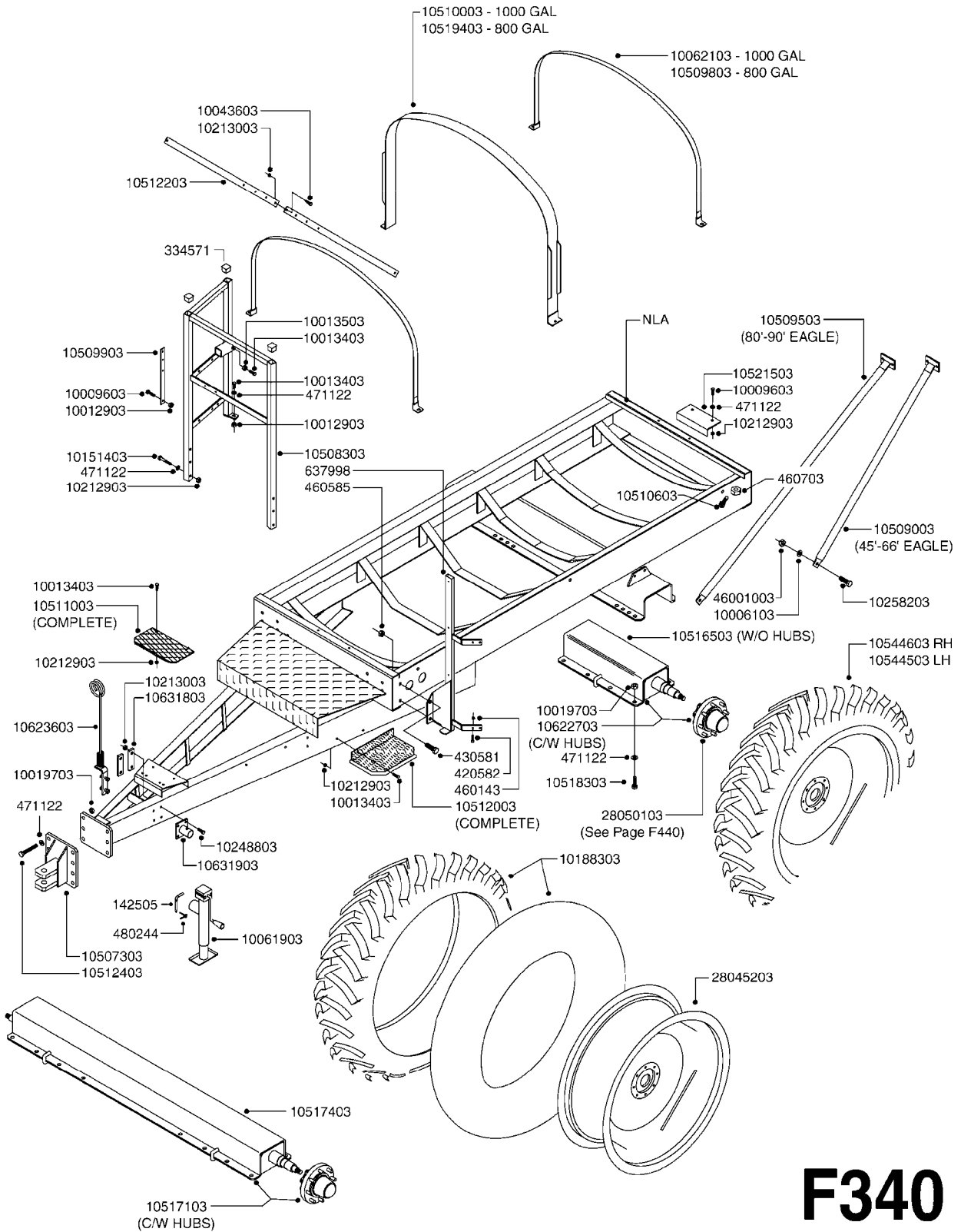


FRAME - NAVIGATOR HC 800/1000
F330-HIN, 27:05:09

Page 1

Date 19.03.2013 9:52

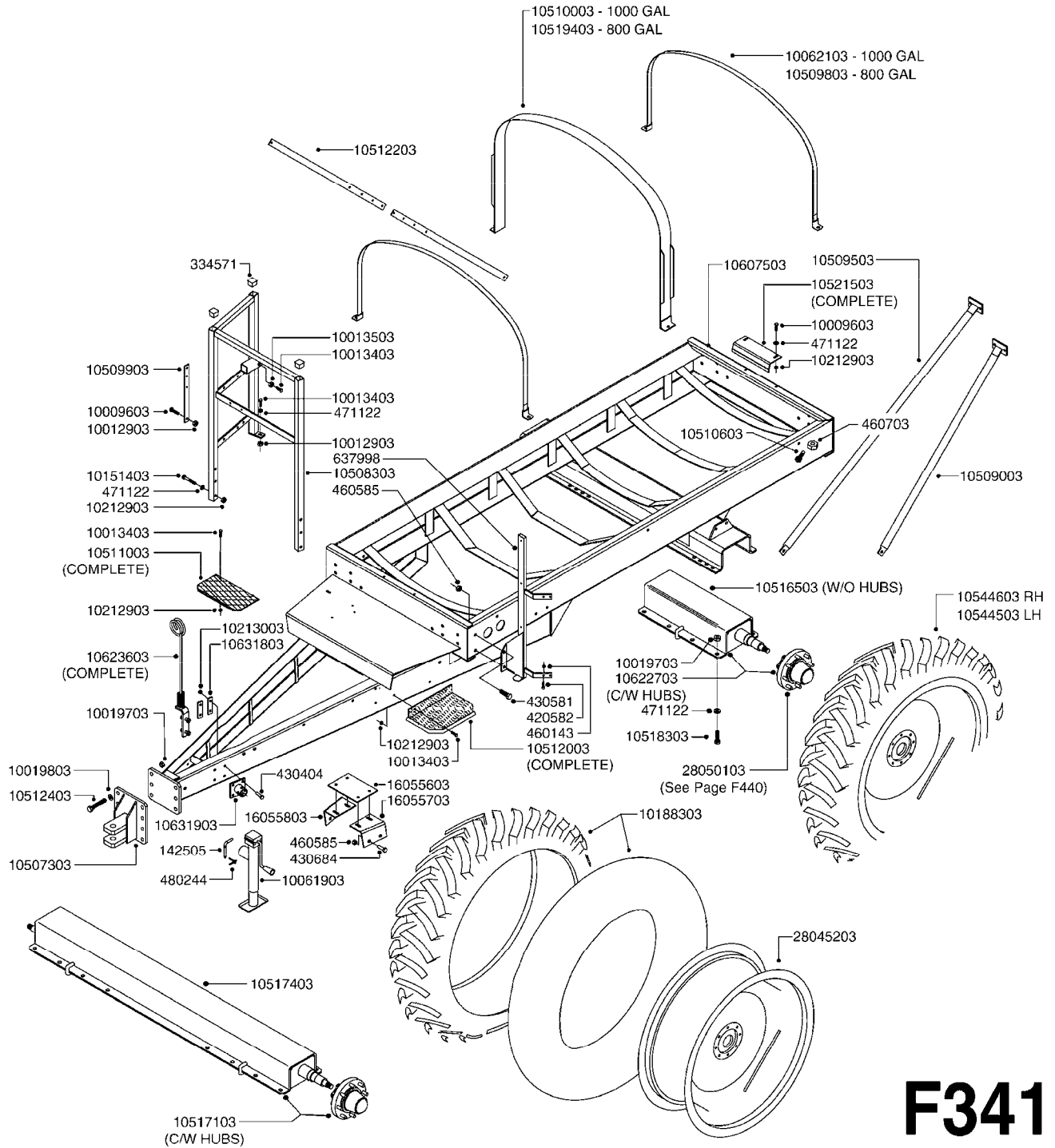
parts-n°	order qty	description
142505	1	LOCKING PAWL 12 X 70MM
334571	1	PLUG 40X40X2 F.SQ.TUBE
460703	1	NUT HEX M12X1.75 LOCK
480244	1	PIN SNAP D4.5
614461	1	JACK STAND ATTACHMENT
10019703	1	NUT HEX NC FHN 3/4-10 Z 5
10019803	1	WASHER LOCK L/W Z 3/4"
10061903	1	JACK F300/500/575 5000LB
10062103	1	STRAP F. NAV M TNK 1000 110"LG
10188303	1	TIRE 13.6" X 38"
10507303	1	CLEVIS NAV.550/800/1000 GAL.
10508303	1	HANDRAIL NAV 800/1000 GAL.
10509003	1	SIDE BRACE NAV8/1000 45-66'EAG
10509503	1	SIDE BRACE NAV8/1000 80-90'EAG
10509803	1	STRAP F.NAV TANK 800 GAL.
10509903	1	FLATBAR F.FILTER
10510003	1	STRAP F.TANK REINFOR.1000 NAV
10510603	1	BOLT F.ANCHOR STRAP
10511003	1	FRONT STEP ASSY.550/800/1000
10512003	1	SIDE STEP ASSY.550/800/1000
10512203	1	FLATBAR SIDE STRAP F.NAV8/1000
10512403	1	BOLT HEX 3/4 NC GR.8 02.25"
10516503	1	INSERT W/M NAV HC W/SPINDLE
10517103	1	AXLE ASSY NAV M 1000 HC 120"
10517403	1	AXLE W/M NAV.HC 120"W/SPINDLES
10518303	1	BOLT HEX 2&3/4 NC GR.8 3.00"
10519403	1	STRAP F.TANK REINFOR.800 NAV
10521503	1	NAV TANK STOP BKT.KIT
10544503	1	TIRE ASSY 13.6 X 38 LH 8BLT HD
10544603	1	TIRE ASSY 13.6 X 38 RH 8BLT HD
10622703	1	AXLE ASSY NAV M 1000 HC 72-88"
10623603	1	CABLE & HOSE HOLDER NAV.
28045203	1	RIM 38X12 8/8/6 1.06-OS GRAY
28050103	1	HUB F 3" 758 7500# PACKAGE



F340



parts-n°	order qty	description
142505	1	LOCKING PAWL 12 X 70MM
334571	1	PLUG 40X40X2 F.SQ.TUBE
420582	1	BOLT HEX 8.8 DEL M8X20 FT
430581	1	BOLT HEX 8.8 DEL M16X40 FT
460143	1	NUT HEX M8 LOCK
460585	1	NUT HEX M16X2 LOCK
460703	1	NUT HEX M12X1.75 LOCK
471122	1	WASHER D20/D10.5X2 SS
480244	1	PIN SNAP D4.5
637998	1	MANIFOLD BKT. NAVIGATOR
10006103	1	WASHER PLATE 5/8
10009603	1	BOLT HEX 3/8 NC GR.2 01.00"
10012903	1	PUMP HYPRO C9016 540 RPM 90023
10013403	1	BOLT HEX 3/8-16X1 1/4 HCS Z5
10013503	1	NUT HEX NC 3/8"
10019703	1	NUT HEX NC FHN 3/4-10 Z 5
10043603	1	BOLT HEX 7/16 NC GR.5 01.25"
10061903	1	JACK F300/500/575 5000LB
10062103	1	STRAP F. NAV M TNK 1000 110"LG
10151403	1	BOLT HEX 3/8 NC GR.2 02.50"
10188303	1	TIRE 13.6" X 38"
10212903	1	NUT HEX NC (NYLON LOCK) 3/8"
10213003	1	NUT HEX NC (NYLON LOCK) 7/16"
10248803	1	BOLT HEX 7/16 NC GR.2 02.00"
10258203	1	BOLT HEX 5/8 NC GR.2 02.00"
10507303	1	CLEVIS NAV.550/800/1000 GAL.
10508303	1	HANDRAIL NAV 800/1000 GAL.
10509003	1	SIDE BRACE NAV8/1000 45-66'EAG
10509503	1	SIDE BRACE NAV8/1000 80-90'EAG
10509803	1	STRAP F.NAV TANK 800 GAL.
10509903	1	FLATBAR F.FILTER
10510003	1	STRAP F.TANK REINFOR.1000 NAV
10510603	1	BOLT F.ANCHOR STRAP
10511003	1	FRONT STEP ASSY.550/800/1000
10512003	1	SIDE STEP ASSY.550/800/1000
10512203	1	FLATBAR SIDE STRAP F.NAV8/1000
10512403	1	BOLT HEX 3/4 NC GR.8 02.25"
10516503	1	INSERT W/M NAV HC W/SPINDLE
10517103	1	AXLE ASSY NAV M 1000 HC 120"
10517403	1	AXLE W/M NAV.HC 120"W/SPINDLES
10518303	1	BOLT HEX 2&3/4 NC GR.8 3.00"
10519403	1	STRAP F.TANK REINFOR.800 NAV
10521503	1	NAV TANK STOP BKT.KIT
10544503	1	TIRE ASSY 13.6 X 38 LH 8BLT HD
10544603	1	TIRE ASSY 13.6 X 38 RH 8BLT HD
10622703	1	AXLE ASSY NAV M 1000 HC 72-88"
10623603	1	CABLE & HOSE HOLDER NAV.
10631803	1	FLATBAR 1/4" x 110MM F.JACK
10631903	1	JACK MOUNT NAV550/1000 W/MOUNT
28045203	1	RIM 38X12 8/8/6 1.06-OS GRAY
28050103	1	HUB F 3" 758 7500# PACKAGE
46001003	1	NUT HEX 5/8"-11 NYLOCK



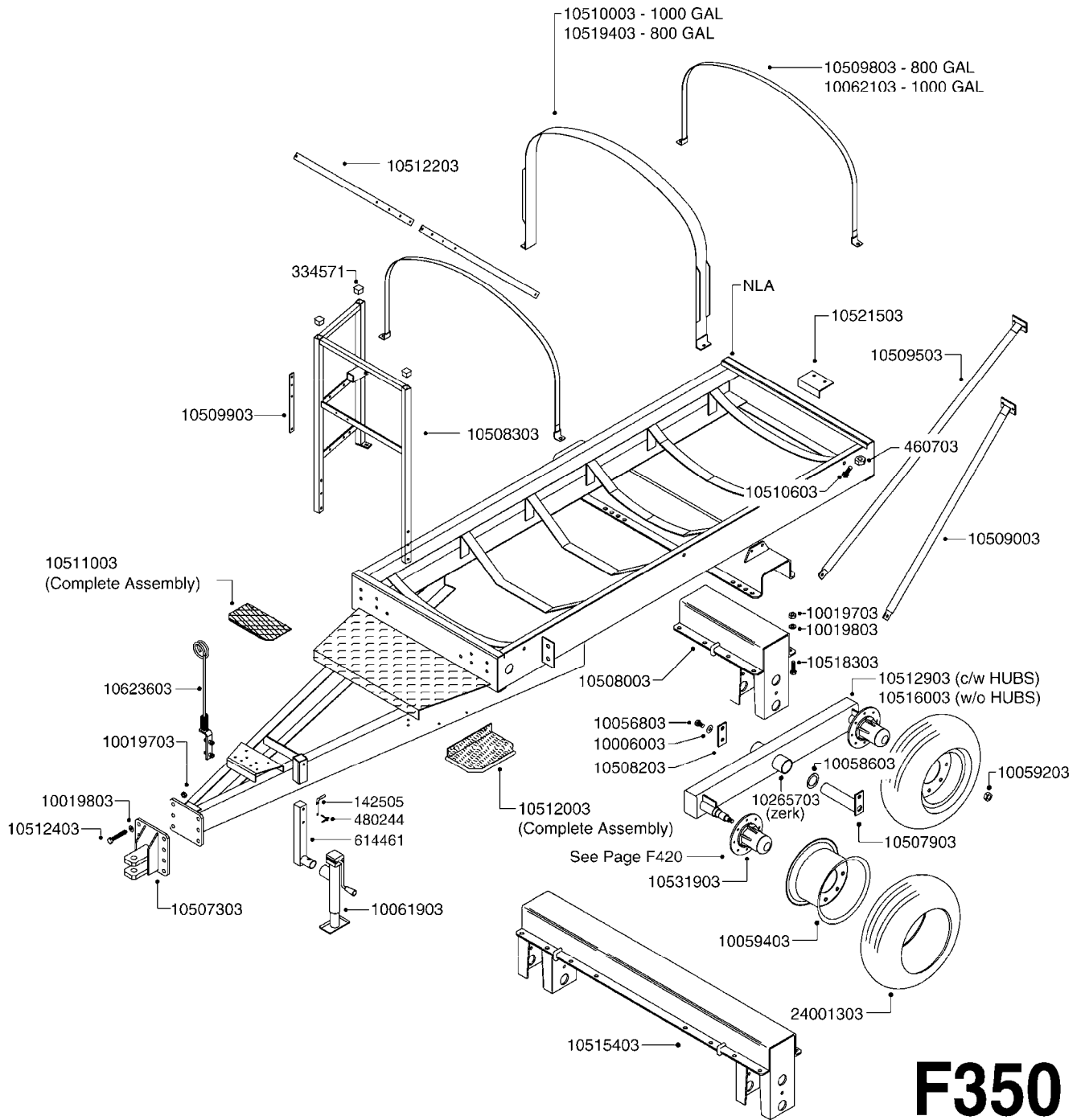
F341



FRAME-NAV.M HC800/1000 POST'05
F341-HIN, 27:05:09

Page 1
Date 19.03.2013 9:52

parts-n°	order qty	description
142505	1	LOCKING PAWL 12 X 70MM
334571	1	PLUG 40X40X2 F.SQ.TUBE
420582	1	BOLT HEX 8.8 DEL M8X20 FT
430404	1	BOLT HEX 8.8 DEL M12X50
430581	1	BOLT HEX 8.8 DEL M16X40 FT
430684	1	BOLT HEX 8.8 DEL M16X30 FT
460143	1	NUT HEX M8 LOCK
460585	1	NUT HEX M16X2 LOCK
460703	1	NUT HEX M12X1.75 LOCK
471122	1	WASHER D20/D10.5X2 SS
480244	1	PIN SNAP D4.5
637998	1	MANIFOLD BKT. NAVIGATOR
10009603	1	BOLT HEX 3/8 NC GR.2 01.00"
10012903	1	PUMP HYPRO C9016 540 RPM 90023
10013403	1	BOLT HEX 3/8-16X1 1/4 HCS Z5
10013503	1	NUT HEX NC 3/8"
10019703	1	NUT HEX NC FHN 3/4-10 Z 5
10019803	1	WASHER LOCK L/W Z 3/4"
10061903	1	JACK F300/500/575 5000LB
10062103	1	STRAP F. NAV M TNK 1000 110"LG
10151403	1	BOLT HEX 3/8 NC GR.2 02.50"
10188303	1	TIRE 13.6" X 38"
10212903	1	NUT HEX NC (NYLON LOCK) 3/8"
10213003	1	NUT HEX NC (NYLON LOCK) 7/16"
10507303	1	CLEVIS NAV.550/800/1000 GAL.
10508303	1	HANDRAIL NAV 800/1000 GAL.
10509003	1	SIDE BRACE NAV8/1000 45-66'EAG
10509503	1	SIDE BRACE NAV8/1000 80-90'EAG
10509803	1	STRAP F.NAV TANK 800 GAL.
10509903	1	FLATBAR F.FILTER
10510003	1	STRAP F.TANK REINFOR.1000 NAV
10510603	1	BOLT F.ANCHOR STRAP
10511003	1	FRONT STEP ASSY.550/800/1000
10512003	1	SIDE STEP ASSY.550/800/1000
10512203	1	FLATBAR SIDE STRAP F.NAV8/1000
10512403	1	BOLT HEX 3/4 NC GR.8 02.25"
10516503	1	INSERT W/M NAV HC W/SPINDLE
10517103	1	AXLE ASSY NAV M 1000 HC 120"
10517403	1	AXLE W/M NAV.HC 120"W/SPINDLES
10518303	1	BOLT HEX 2&3/4 NC GR.8 3.00"
10519403	1	STRAP F.TANK REINFOR.800 NAV
10521503	1	NAV TANK STOP BKT.KIT
10544503	1	TIRE ASSY 13.6 X 38 LH 8BLT HD
10544603	1	TIRE ASSY 13.6 X 38 RH 8BLT HD
10607503	1	FRAME NAVIGATOR 800/1000-98
10622703	1	AXLE ASSY NAV M 1000 HC 72-88"
10623603	1	CABLE & HOSE HOLDER NAV.
10631803	1	FLATBAR 1/4" x 110MM F.JACK
10631903	1	JACK MOUNT NAV550/1000 W/MOUNT
16055603	1	PUMP MT. PLATE DIA. NAV. M
16055703	1	PUMP MT. PLATE L.H. DIA. NAV.M
16055803	1	PUMP MT. PLATE R.H. DIA. NAV.M
28045203	1	RIM 38X12 8/8/6 1.06-OS GRAY
28050103	1	HUB F 3" 758 7500# PACKAGE

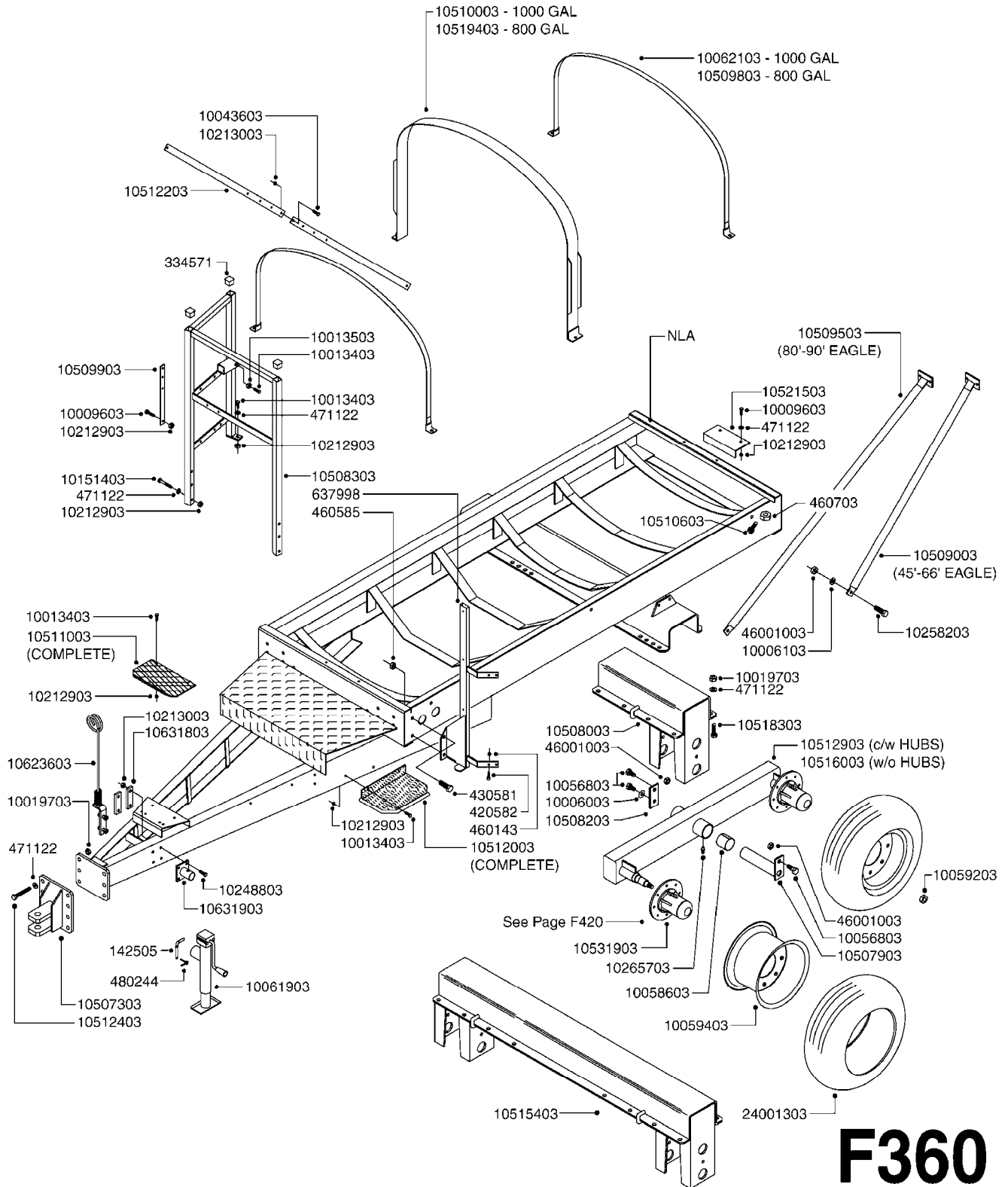




FRAME - NAVIGATOR TA 800/1000
F350-HIN, 11:05:09

Page 1
Date 19.03.2013 9:52

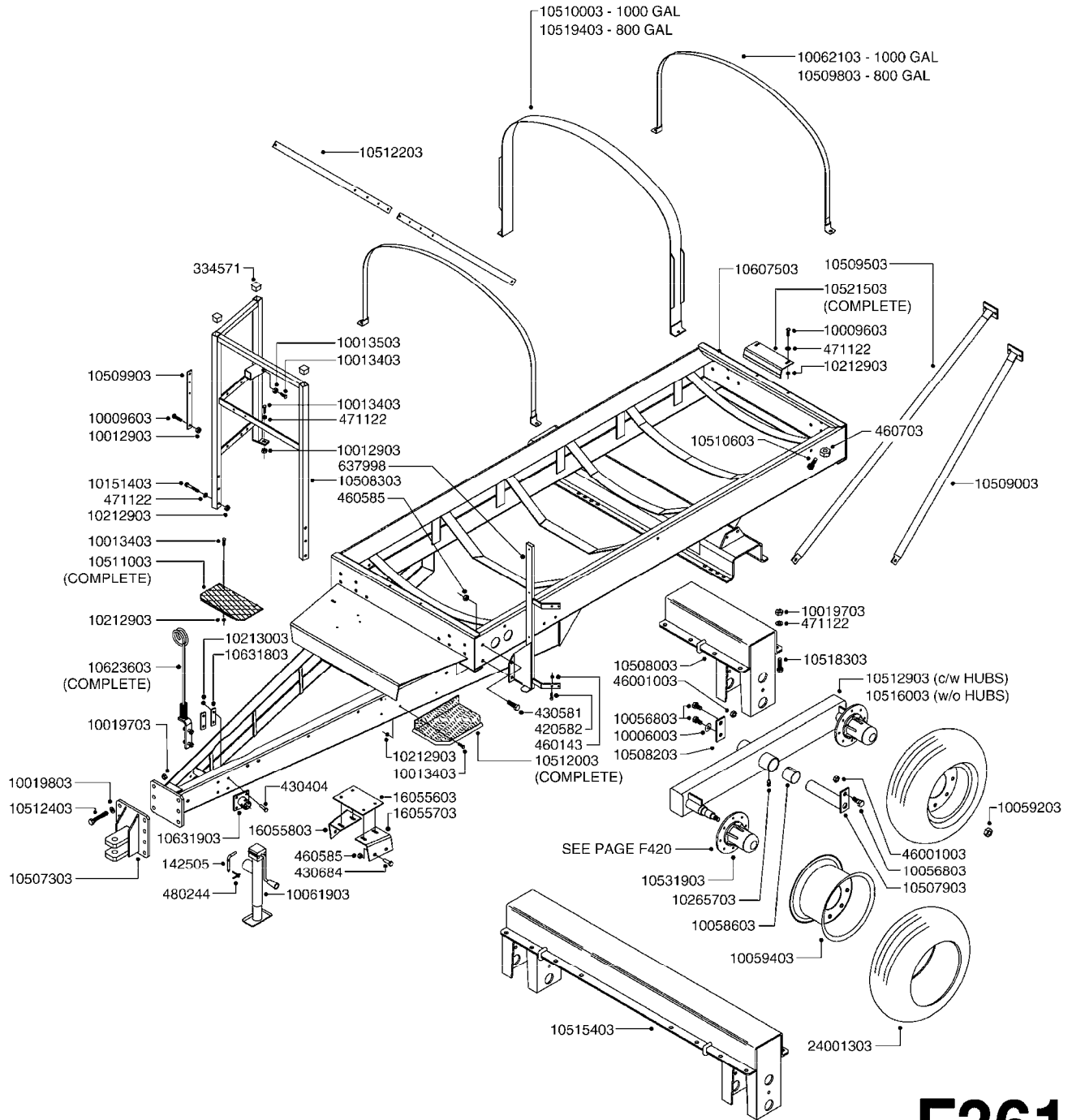
parts-n°	order qty	description
142505	1	LOCKING PAWL 12 X 70MM
334571	1	PLUG 40X40X2 F.SQ.TUBE
460703	1	NUT HEX M12X1.75 LOCK
480244	1	PIN SNAP D4.5
614461	1	JACK STAND ATTACHMENT
10006003	1	WASHER LOCK 5/8"
10019703	1	NUT HEX NC FHN 3/4-10 Z 5
10019803	1	WASHER LOCK L/W Z 3/4"
10056803	1	BOLT HEX 5/8 NC GR.5 01.50"
10058603	1	GARLOCK 2.5"DU 2.5" TA800/1000
10059203	1	BOLT WHEEL 9/16"x1-1/4"UNF 90D
10059403	1	RIM 15X10 X 8-8-6 +1.062OFFSET
10061903	1	JACK F300/500/575 5000LB
10062103	1	STRAP F. NAV M TNK 1000 110"LG
10265703	1	GREASE ZERK 5MM PRESS FIT
10507303	1	CLEVIS NAV.550/800/1000 GAL.
10507903	1	PIN F.PIVOT NAV800/1000
10508003	1	UPRIGHT W/M 800/1000 TANDEM
10508203	1	FLATBAR TANDEM NAV800/1000
10508303	1	HANDRAIL NAV 800/1000 GAL.
10509003	1	SIDE BRACE NAV8/1000 45-66'EAG
10509503	1	SIDE BRACE NAV8/1000 80-90'EAG
10509803	1	STRAP F.NAV TANK 800 GAL.
10509903	1	FLATBAR F.FILTER
10510003	1	STRAP F.TANK REINFOR.1000 NAV
10510603	1	BOLT F.ANCHOR STRAP
10511003	1	FRONT STEP ASSY.550/800/1000
10512003	1	SIDE STEP ASSY.550/800/1000
10512203	1	FLATBAR SIDE STRAP F.NAV8/1000
10512403	1	BOLT HEX 3/4 NC GR.8 02.25"
10512903	1	TANDEM BEAM ASSY.800/1000
10515403	1	AXLE W/M NAV.TA 800/1000 120"
10516003	1	TANDEM BEAM W/M NAV W/SPINDLE
10518303	1	BOLT HEX 2&3/4 NC GR.8 3.00"
10519403	1	STRAP F.TANK REINFOR.800 NAV
10521503	1	NAV TANK STOP BKT.KIT
10531903	1	HUB ASSY.COMP.F.2-1/8" SPINDLE
10623603	1	CABLE & HOSE HOLDER NAV.
24001303	1	TIRE 12.5L-15SL 12 PLY



F360



parts-n°	order qty	description
142505	1	LOCKING PAWL 12 X 70MM
334571	1	PLUG 40X40X2 F.SQ.TUBE
420582	1	BOLT HEX 8.8 DEL M8X20 FT
430581	1	BOLT HEX 8.8 DEL M16X40 FT
460143	1	NUT HEX M8 LOCK
460585	1	NUT HEX M16X2 LOCK
460703	1	NUT HEX M12X1.75 LOCK
471122	1	WASHER D20/D10.5X2 SS
480244	1	PIN SNAP D4.5
637998	1	MANIFOLD BKT. NAVIGATOR
10006003	1	WASHER LOCK 5/8"
10006103	1	WASHER PLATE 5/8
10009603	1	BOLT HEX 3/8 NC GR.2 01.00"
10012903	1	PUMP HYPRO C9016 540 RPM 90023
10013403	1	BOLT HEX 3/8-16X1 1/4 HCS Z5
10013503	1	NUT HEX NC 3/8"
10019703	1	NUT HEX NC FHN 3/4-10 Z 5
10043603	1	BOLT HEX 7/16 NC GR.5 01.25"
10056803	1	BOLT HEX 5/8 NC GR.5 01.50"
10058603	1	GARLOCK 2.5"DU 2.5" TA800/1000
10059203	1	BOLT WHEEL 9/16"x1-1/4"UNF 90D
10059403	1	RIM 15X10 X 8-8-6 +1.0620FFSET
10061903	1	JACK F300/500/575 5000LB
10062103	1	STRAP F. NAV M TNK 1000 110"LG
10151403	1	BOLT HEX 3/8 NC GR.2 02.50"
10212903	1	NUT HEX NC (NYLON LOCK) 3/8"
10213003	1	NUT HEX NC (NYLON LOCK) 7/16"
10248803	1	BOLT HEX 7/16 NC GR.2 02.00"
10258203	1	BOLT HEX 5/8 NC GR.2 02.00"
10265703	1	GREASE ZERK 5MM PRESS FIT
10507303	1	CLEVIS NAV.550/800/1000 GAL.
10507903	1	PIN F.PIVOT NAV800/1000
10508003	1	UPRIGHT W/M 800/1000 TANDEM
10508203	1	FLATBAR TANDEM NAV800/1000
10508303	1	HANDRAIL NAV 800/1000 GAL.
10509003	1	SIDE BRACE NAV8/1000 45-66'EAG
10509503	1	SIDE BRACE NAV8/1000 80-90'EAG
10509803	1	STRAP F.NAV TANK 800 GAL.
10509903	1	FLATBAR F.FILTER
10510003	1	STRAP F.TANK REINFOR.1000 NAV
10510603	1	BOLT F.ANCHOR STRAP
10511003	1	FRONT STEP ASSY.550/800/1000
10512003	1	SIDE STEP ASSY.550/800/1000
10512203	1	FLATBAR SIDE STRAP F.NAV8/1000
10512403	1	BOLT HEX 3/4 NC GR.8 02.25"
10512903	1	TANDEM BEAM ASSY.800/1000
10515403	1	AXLE W/M NAV.TA 800/1000 120"
10516003	1	TANDEM BEAM W/M NAV W/SPINDLE
10518303	1	BOLT HEX 2&3/4 NC GR.8 3.00"
10519403	1	STRAP F.TANK REINFOR.800 NAV
10521503	1	NAV TANK STOP BKT.KIT
10531903	1	HUB ASSY.COMP.F.2-1/8" SPINDLE
10623603	1	CABLE & HOSE HOLDER NAV.
10631803	1	FLATBAR 1/4" x 110MM F.JACK
10631903	1	JACK MOUNT NAV550/1000 W/MOUNT
24001303	1	TIRE 12.5L-15SL 12 PLY
46001003	1	NUT HEX 5/8"-11 NYLOCK



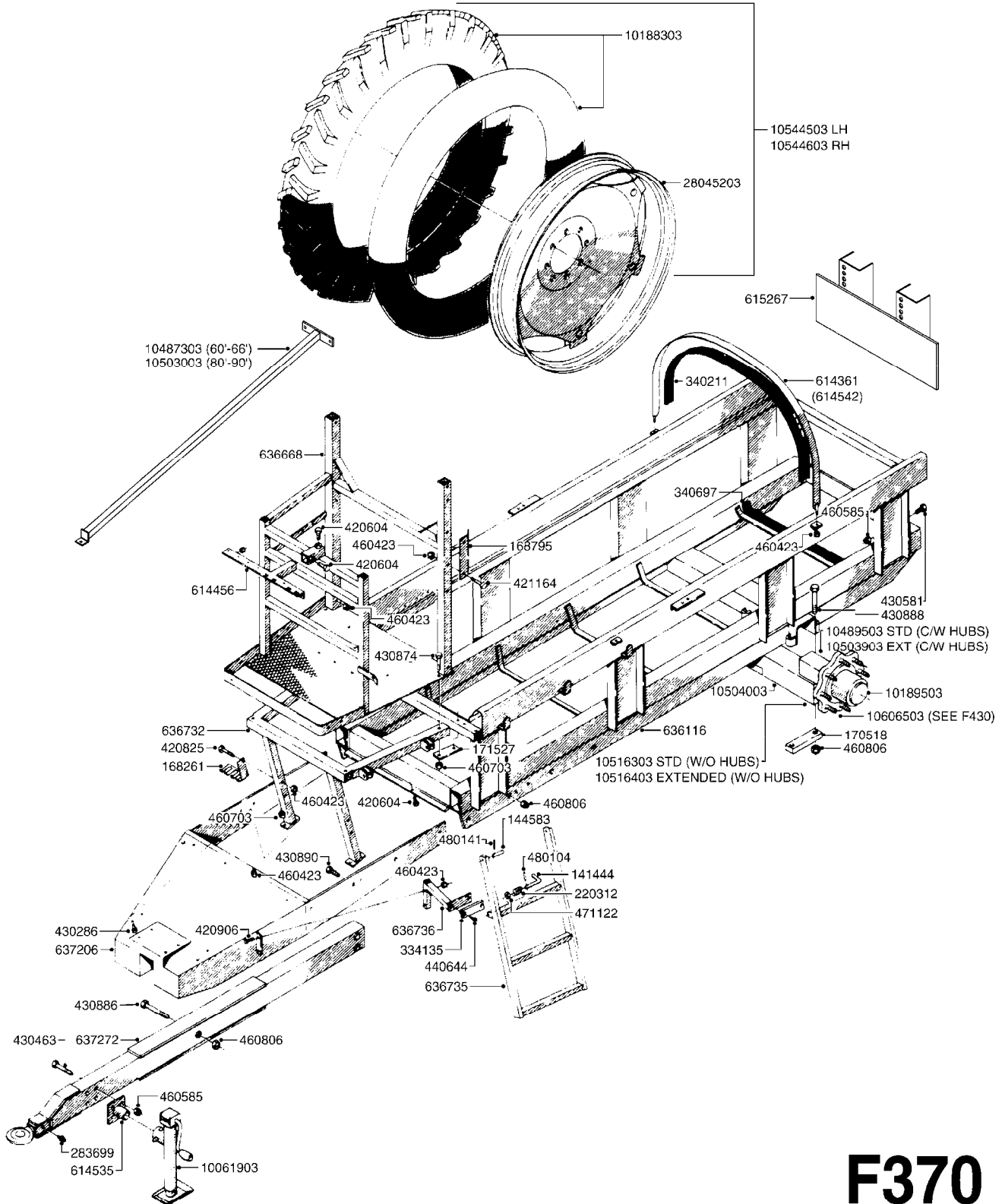
F361



FRAME-NAV.M TA800/1000 POST'05
F361-HIN, 11:05:09

Page 1
Date 19.03.2013 9:52

parts-n°	order qty	description
142505	1	LOCKING PAWL 12 X 70MM
334571	1	PLUG 40X40X2 F.SQ.TUBE
420582	1	BOLT HEX 8.8 DEL M8X20 FT
430404	1	BOLT HEX 8.8 DEL M12X50
430581	1	BOLT HEX 8.8 DEL M16X40 FT
430684	1	BOLT HEX 8.8 DEL M16X30 FT
460143	1	NUT HEX M8 LOCK
460585	1	NUT HEX M16X2 LOCK
460703	1	NUT HEX M12X1.75 LOCK
471122	1	WASHER D20/D10.5X2 SS
480244	1	PIN SNAP D4.5
637998	1	MANIFOLD BKT. NAVIGATOR
10006003	1	WASHER LOCK 5/8"
10009603	1	BOLT HEX 3/8 NC GR.2 01.00"
10012903	1	PUMP HYPRO C9016 540 RPM 90023
10013403	1	BOLT HEX 3/8-16X1 1/4 HCS Z5
10013503	1	NUT HEX NC 3/8"
10019703	1	NUT HEX NC FHN 3/4-10 Z 5
10019803	1	WASHER LOCK L/W Z 3/4"
10056803	1	BOLT HEX 5/8 NC GR.5 01.50"
10058603	1	GARLOCK 2.5"DU 2.5" TA800/1000
10059203	1	BOLT WHEEL 9/16"x1-1/4"UNF 90D
10059403	1	RIM 15X10 X 8-8-6 +1.062OFFSET
10061903	1	JACK F300/500/575 5000LB
10062103	1	STRAP F. NAV M TNK 1000 110"LG
10151403	1	BOLT HEX 3/8 NC GR.2 02.50"
10212903	1	NUT HEX NC (NYLON LOCK) 3/8"
10213003	1	NUT HEX NC (NYLON LOCK) 7/16"
10265703	1	GREASE ZERK 5MM PRESS FIT
10507303	1	CLEVIS NAV.550/800/1000 GAL.
10507903	1	PIN F.PIVOT NAV800/1000
10508003	1	UPRIGHT W/M 800/1000 TANDEM
10508203	1	FLATBAR TANDEM NAV800/1000
10508303	1	HANDRAIL NAV 800/1000 GAL.
10509003	1	SIDE BRACE NAV8/1000 45-66'EAG
10509503	1	SIDE BRACE NAV8/1000 80-90'EAG
10509803	1	STRAP F.NAV TANK 800 GAL.
10509903	1	FLATBAR F.FILTER
10510003	1	STRAP F.TANK REINFOR.1000 NAV
10510603	1	BOLT F.ANCHOR STRAP
10511003	1	FRONT STEP ASSY.550/800/1000
10512003	1	SIDE STEP ASSY.550/800/1000
10512203	1	FLATBAR SIDE STRAP F.NAV8/1000
10512403	1	BOLT HEX 3/4 NC GR.8 02.25"
10512903	1	TANDEM BEAM ASSY.800/1000
10515403	1	AXLE W/M NAV.TA 800/1000 120"
10516003	1	TANDEM BEAM W/M NAV W/SPINDLE
10518303	1	BOLT HEX 2&3/4 NC GR.8 3.00"
10519403	1	STRAP F.TANK REINFOR.800 NAV
10521503	1	NAV TANK STOP BKT.KIT
10531903	1	HUB ASSY.COMP.F.2-1/8" SPINDLE
10607503	1	FRAME NAVIGATOR 800/1000-98
10623603	1	CABLE & HOSE HOLDER NAV.
10631803	1	FLATBAR 1/4" x 110MM F.JACK
10631903	1	JACK MOUNT NAV550/1000 W/MOUNT
16055603	1	PUMP MT. PLATE DIA. NAV. M
16055703	1	PUMP MT. PLATE L.H. DIA. NAV.M
16055803	1	PUMP MT. PLATE R.H. DIA. NAV.M
24001303	1	TIRE 12.5L-15SL 12 PLY
46001003	1	NUT HEX 5/8"-11 NYLOCK



F370

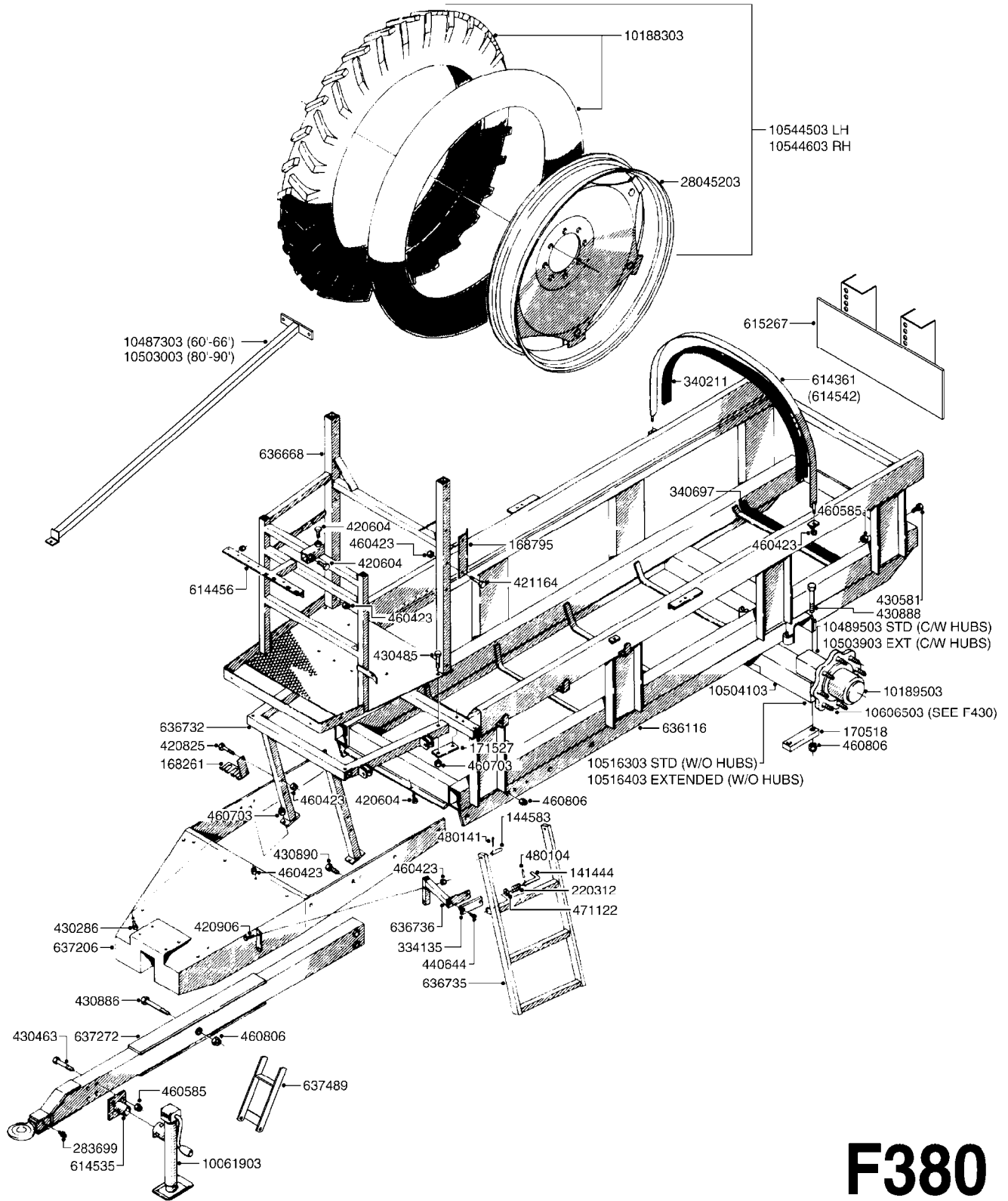


FRAME - HC 950
F370-HIN, 15:06:07

Page 1

Date 19.03.2013 9:52

parts-n°	order qty	description
141444	1	HANDLE D10X175
144583	1	PIN HINGE F.LADDER
168261	1	BRACKET FOR HYD HOSE
168795	1	PLATE 95 X 250 X 3MM
170518	1	FLAT BAR F.AXLE
171527	1	FLATBAR F. PLATFORM HC650/950
220312	1	SPRING
283699	1	GREASE NIPPLE M6X1
334135	1	SLIDE SHOE 140X45X15
340211	1	TANK STRAP PACKING 40X1800
340697	1	TANK PACKING 40X700
420604	1	BOLT HEX 8.8 DEL M10X25 FT
420825	1	BOLT HEX 8.8 DEL M10X65
420906	1	BOLT HEX 8.8 DEL M10X60
421164	1	BOLT HEX 8.8 DEL M10X70
430286	1	BOLT HEX 8.8 DEL M12X30 FT
430463	1	BOLT HEX 8.8 DEL M16X110
430581	1	BOLT HEX 8.8 DEL M16X40 FT
430874	1	SCREW SET 8.8 DEL M12X70 FT
430886	1	BOLT HEX 8.8 DEL M20X160
430888	1	BOLT HEX 8.8 DEL M20X130
430890	1	BOLT HEX 8.8 DEL M20X50
440644	1	SCREW NO.10 5/8"
460423	1	NUT HEX M10X1.5 LOCK
460585	1	NUT HEX M16X2 LOCK
460703	1	NUT HEX M12X1.75 LOCK
460806	1	NUT HEX M20X2.5 LOCK
471122	1	WASHER D20/D10.5X2 SS
480104	1	PIN RETAINING M3X16 GALV.
480141	1	PIN COTTER M4X20
614361	1	TANK STRAP HC650 L=92.5"
614456	1	BRACKET F.EC 3&4 BANK VALVES
614535	1	JACK MOUNTING WELDMENT HC950
614542	1	TANK STRAP LA 210/265/310 95"
615267	1	.
636116	1	TANK FRAME BARE HC950
636668	1	PLATFORM F.HC950
636732	1	FRAME F.PLATFORM HC950
636735	1	STEP HC950
636736	1	BRACKET FOR STEP HC950
637206	1	DRAW BAR & PLATFORM MOUNT
637272	1	TONGUE HC950M
10061903	1	JACK F300/500/575 5000LB
10188303	1	TIRE 13.6" X 38"
10189503	1	NUT HEX NF 9/16 WHEEL STUD
10487303	1	SIDE BRACE W/M HC950 EAGLE
10489503	1	AXLE INSERT ASSY.HC950 SHORT
10503003	1	SIDE BRACE HC950 80/90'EAG
10503903	1	AXLE INSERT ASSY.HC950 LONG
10504003	1	AXLE EXT.KIT 88" 80/90' HC950M
10516303	1	INSERT W/M HC950 W/SPIND.SHORT
10516403	1	INSERT W/M HC950 W/SPIND.LONG
10544503	1	TIRE ASSY 13.6 X 38 LH 8BLT HD
10544603	1	TIRE ASSY 13.6 X 38 RH 8BLT HD
10606503	1	HUB ASSY.NAV550/800/1000 HC
28045203	1	RIM 38X12 8/8/6 1.06-OS GRAY



F380

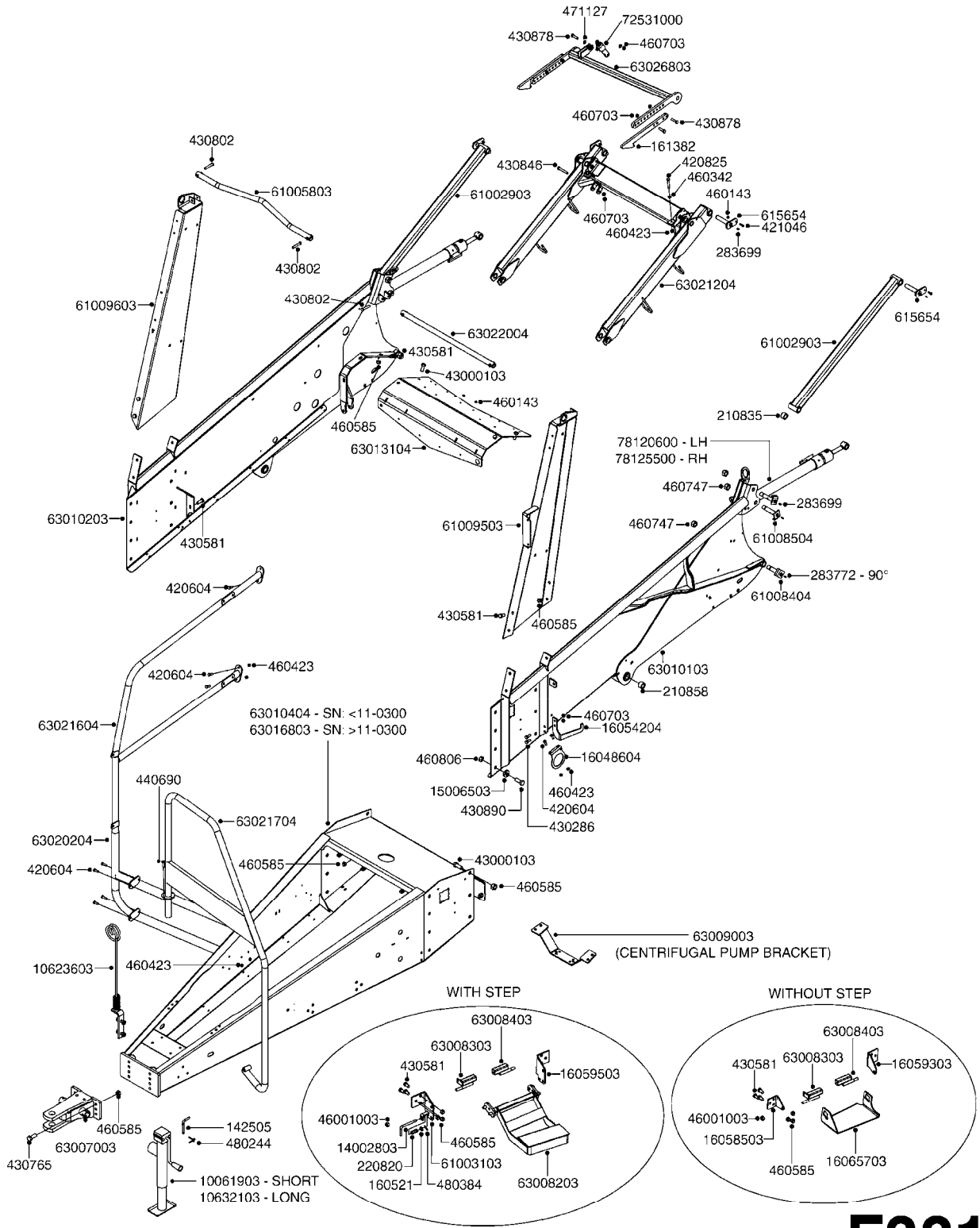


FRAME - HC 950M/TWIN 950
F380-HIN, 15:06:07

Page 1

Date 19.03.2013 9:52

parts-n°	order qty	description
141444	1	HANDLE D10X175
144583	1	PIN HINGE F.LADDER
168261	1	BRACKET FOR HYD HOSE
168795	1	PLATE 95 X 250 X 3MM
170518	1	FLAT BAR F.AXLE
171527	1	FLATBAR F. PLATFORM HC650/950
220312	1	SPRING
283699	1	GREASE NIPPLE M6X1
334135	1	SLIDE SHOE 140X45X15
340211	1	TANK STRAP PACKING 40X1800
340697	1	TANK PACKING 40X700
420604	1	BOLT HEX 8.8 DEL M10X25 FT
420825	1	BOLT HEX 8.8 DEL M10X65
420906	1	BOLT HEX 8.8 DEL M10X60
421164	1	BOLT HEX 8.8 DEL M10X70
430286	1	BOLT HEX 8.8 DEL M12X30 FT
430463	1	BOLT HEX 8.8 DEL M16X110
430485	1	BOLT HEX 8.8 DEL M12X90
430581	1	BOLT HEX 8.8 DEL M16X40 FT
430886	1	BOLT HEX 8.8 DEL M20X160
430888	1	BOLT HEX 8.8 DEL M20X130
430890	1	BOLT HEX 8.8 DEL M20X50
440644	1	SCREW NO.10 5/8"
460423	1	NUT HEX M10X1.5 LOCK
460585	1	NUT HEX M16X2 LOCK
460703	1	NUT HEX M12X1.75 LOCK
460806	1	NUT HEX M20X2.5 LOCK
471122	1	WASHER D20/D10.5X2 SS
480104	1	PIN RETAINING M3X16 GALV.
480141	1	PIN COTTER M4X20
614361	1	TANK STRAP HC650 L=92.5"
614456	1	BRACKET F.EC 3&4 BANK VALVES
614535	1	JACK MOUNTING WELDMENT HC950
614542	1	TANK STRAP LA 210/265/310 95"
615267	1	.
636116	1	TANK FRAME BARE HC950
636668	1	PLATFORM F.HC950
636732	1	FRAME F.PLATFORM HC950
636735	1	STEP HC950
636736	1	BRACKET FOR STEP HC950
637206	1	DRAW BAR & PLATFORM MOUNT
637272	1	TONGUE HC950M
637489	1	BRACKET F.PTO SUPPORT HC
10061903	1	JACK F300/500/575 5000LB
10188303	1	TIRE 13.6" X 38"
10189503	1	NUT HEX NF 9/16 WHEEL STUD
10487303	1	SIDE BRACE W/M HC950 EAGLE
10489503	1	AXLE INSERT ASSY.HC950 SHORT
10503003	1	SIDE BRACE HC950 80/90'EAG
10503903	1	AXLE INSERT ASSY.HC950 LONG
10504103	1	AXLE REINFORCE.W/M 90'HC950
10516303	1	INSERT W/M HC950 W/SPIND.SHORT
10516403	1	INSERT W/M HC950 W/SPIND.LONG
10544503	1	TIRE ASSY 13.6 X 38 LH 8BLT HD
10544603	1	TIRE ASSY 13.6 X 38 RH 8BLT HD
10606503	1	HUB ASSY.NAV550/800/1000 HC
28045203	1	RIM 38X12 8/8/6 1.06-OS GRAY



F381



FRAME - NEW NAVIGATOR 1100
F381-HIN, 14:12:07

Page 1
Date 19.03.2013 9:52

parts-n°	order qty	description
142505	1	LOCKING PAWL 12 X 70MM
160521	1	WASHER D30.5/D13X2
161382	1	HOOK F.TRANSPORT LOCK L=340MM
210835	1	BUSHING D28/25 L=25
210858	1	BUSHING
220820	1	SPRING D20.5/2.0 0-50MM
283699	1	GREASE NIPPLE M6X1
283772	1	GREASE NIPPLE H3 M6 X 4
420604	1	BOLT HEX 8.8 DEL M10X25 FT
420825	1	BOLT HEX 8.8 DEL M10X65
421046	1	BOLT HEX 8.8 DEL M8X25 FT
430286	1	BOLT HEX 8.8 DEL M12X30 FT
430581	1	BOLT HEX 8.8 DEL M16X40 FT
430765	1	BOLT HEX 8.8 DEL M16X55
430802	1	BOLT HEX 8.8 DEL M12X75
430846	1	BOLT HEX 8.8 DEL M12X80
430878	1	BOLT HEX 8.8 DEL M12X45
430890	1	BOLT HEX 8.8 DEL M20X50
440690	1	PT SCREW KB 6MM X 35 ELZ
460143	1	NUT HEX M8 LOCK
460342	1	NUT HEX M10
460423	1	NUT HEX M10X1.5 LOCK
460585	1	NUT HEX M16X2 LOCK
460703	1	NUT HEX M12X1.75 LOCK
460747	1	NUT HEX M24 LOCK
460806	1	NUT HEX M20X2.5 LOCK
471127	1	WASHER D24/D13X2.5 STAINLESS
480244	1	PIN SNAP D4.5
480384	1	PIN COTTER D5X40
615654	1	PIN D25 X 123 F. PARALIFT
10061903	1	JACK F300/500/575 5000LB
10623603	1	CABLE & HOSE HOLDER NAV.
10632103	1	JACK F RANGER 5000LB
14002803	1	PIN 1/2"Ø NAV STEP
15006503	1	WASHER FRAME BUSHING
16048604	1	QUICK FILL BKT. NAV. 575-1100
16054204	1	JACKSTAND SUPPORT NAV. 1100
16058503	1	BRACKET FLSH TK FRT 1100 NAV
16059303	1	BRACKET FLSH TK BACK 1100 NAV
16059503	1	BRACKET FLSH TK +STEP 1100 BK
16065703	1	PLATE TANK PIVOT STOP NEW NAV
43000103	1	BOLT HEX 8.8 CRG M16x2.0 40LG
46001003	1	NUT HEX 5/8"-11 NYLOCK
61002903	1	LINK ARM F. PARALIFT NAV.
61003103	1	BRACKET FLSH TK +STEP 1100 FNT
61005803	1	CROSSBAR FRONT NEW NAV
61008404	1	MOUNTING BOLT Ø25X90/M24
61008504	1	MOUNTING BOLT Ø25X98/M24
61009503	1	UPRIGHT PANEL LH 1100 NAV.
61009603	1	UPRIGHT PANEL RH 1100 NAV.
63007003	1	CLEVIS HITCH NAV. 1100
63008203	1	STEP F. PLATFORM 575-1100 NAV.
63008303	1	FLUSH TANK PIVOT FRONT NAV.
63008403	1	FLUSH TANK PIVOT REAR NAV.
63009003	1	CENTRIFUGAL PUMP BRACKET
63010103	1	CHASSIS PANEL LH 1100 NAVIGATO
63010203	1	CHASSIS PANEL RH 1100 NAVIGATO
63010404	1	DRAWBAR FRAME 1100 NAVIGATOR
63013104	1	CROSS MEMBER REAR NAVIGATOR
63016803	1	DRAWBAR FRAME 1100 NAVIGATOR
63020204	1	BRACKET HANDRAIL MOUNT



FRAME - NEW NAVIGATOR 1100
F381-HIN, 14:12:07

Page 2

Date 19.03.2013 9:52

parts-n°	order qty	description
63021204	1	PARALIFT WELDMENT NAV
63021604	1	HANDRAIL SIDE 1100 NAV
63021704	1	HANDRAIL FRT 1100 NAV
63022004	1	CROSSBAR REAR NAVIGATOR
63026803	1	TRANS. STOP BKT. PARALIFT NEW
72531000	1	CYL. D25/12-50/78124200 W/FITT
78120600	1	CYLINDER 60/25 X 662 NAV PAR
78125500	1	CYLINDER 60/25 X 662 NAV PAR R



"NEW" NAVIGATOR SUSPENDED AXLE
F382-HIN, 21:05:09

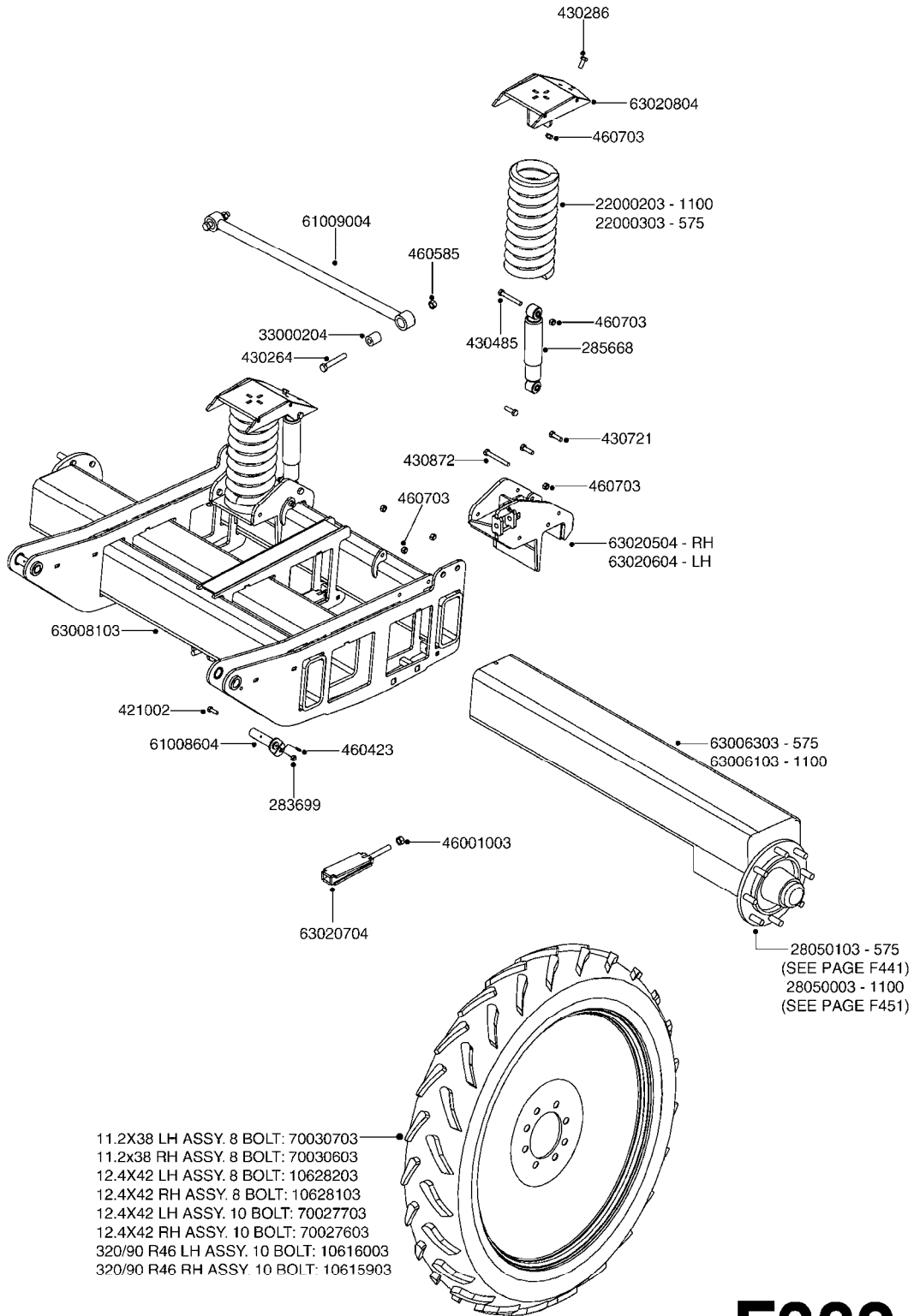
Page

0

Date

19.03.2013

9:52



F382



"NEW" NAVIGATOR SUSPENDED AXLE
F382-HIN, 21:05:09

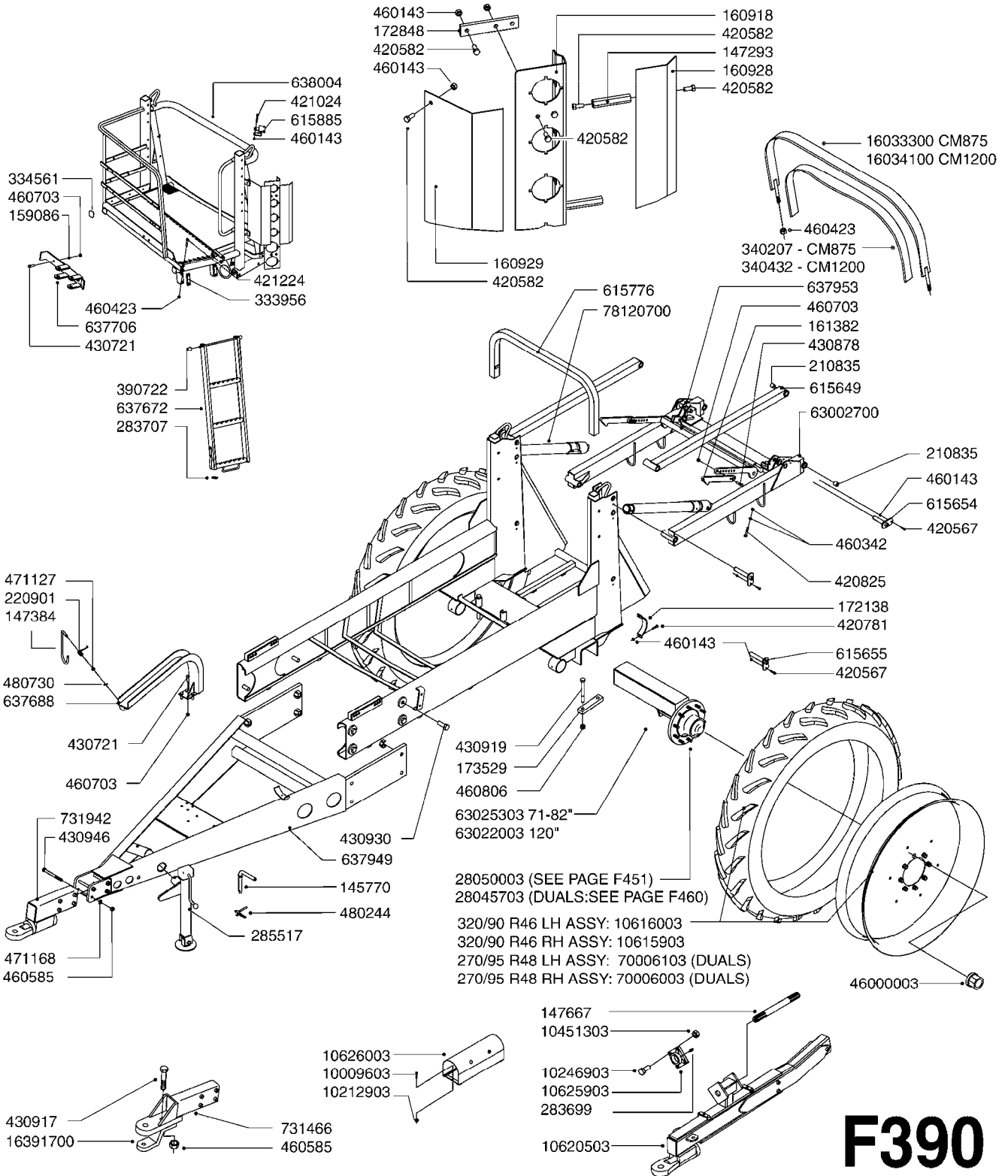
Page 1
Date 19.03.2013 9:52

parts-n°	order qty	description
283699	1	GREASE NIPPLE M6X1
285668	1	SHOCK ABSORBER L=300/465
421002	1	BOLT HEX 8.8 DEL M10X30 FT
430264	1	BOLT HEX 8.8 DEL M16X100
430286	1	BOLT HEX 8.8 DEL M12X30 FT
430485	1	BOLT HEX 8.8 DEL M12X90
430721	1	BOLT HEX 8.8 DEL M12X40 FT
430872	1	BOLT HEX 8.8 DEL M12X100 FT
460423	1	NUT HEX M10X1.5 LOCK
460585	1	NUT HEX M16X2 LOCK
460703	1	NUT HEX M12X1.75 LOCK
10615903	1	TIRE ASSY 2-3/16 OFFSET RH
10616003	1	TIRE ASSY 2-3/16 OFFSET LH
10628103	1	TIRE ASSY 12.4X42 10PLY 8BLTL
10628203	1	TIRE ASSY 12.4X42 10PLY 8BLTR
22000203	1	SPRING 1100 NAV. SUSPENSION
22000303	1	SPRING 575 NAV. SUSPENSION
28050003	1	HUB F 3.5" 873 15000# PACKAGE
28050103	1	HUB F 3" 758 7500# PACKAGE
33000204	1	BUSHING F. SUS. SWAY BAR NAV.
46001003	1	NUT HEX 5/8"-11 NYLOCK
61008604	1	BEARING BOLT D30X108
61009004	1	SWAYBAR F.SUS. 575-1100 NAV.
63006103	1	AXLE INSERT W/M NAV. 1100
63006303	1	AXLE INSERT W/M SUS. 575 NAV
63008103	1	AXLE SWING ARM 1100 NAV.
63020504	1	SPRING MT. BOTTOM RH 1100 NAV.
63020604	1	SPRING MT. BOTTOM LH 1100 NAV.
63020704	1	AXLE INSERT WEDGE NAV.
63020804	1	SPRING MOUNT TOP RH NAV.
70027603	1	TIRE ASSY 12.4X42 10PLY 10B RH
70027703	1	TIRE ASSY 12.4X42 10PLY 10B LH
70030603	1	TIRE ASSY 11.2-38 RH
70030703	1	TIRE ASSY 11.2-38 LH



FRAME - CM 875/1200
F390-HIN, 18:10:12

Page	0
Date	19.03.2013 9:52



F390



FRAME - CM 875/1200
F390-HIN, 18:10:12

Page 1
Date 19.03.2013 9:52

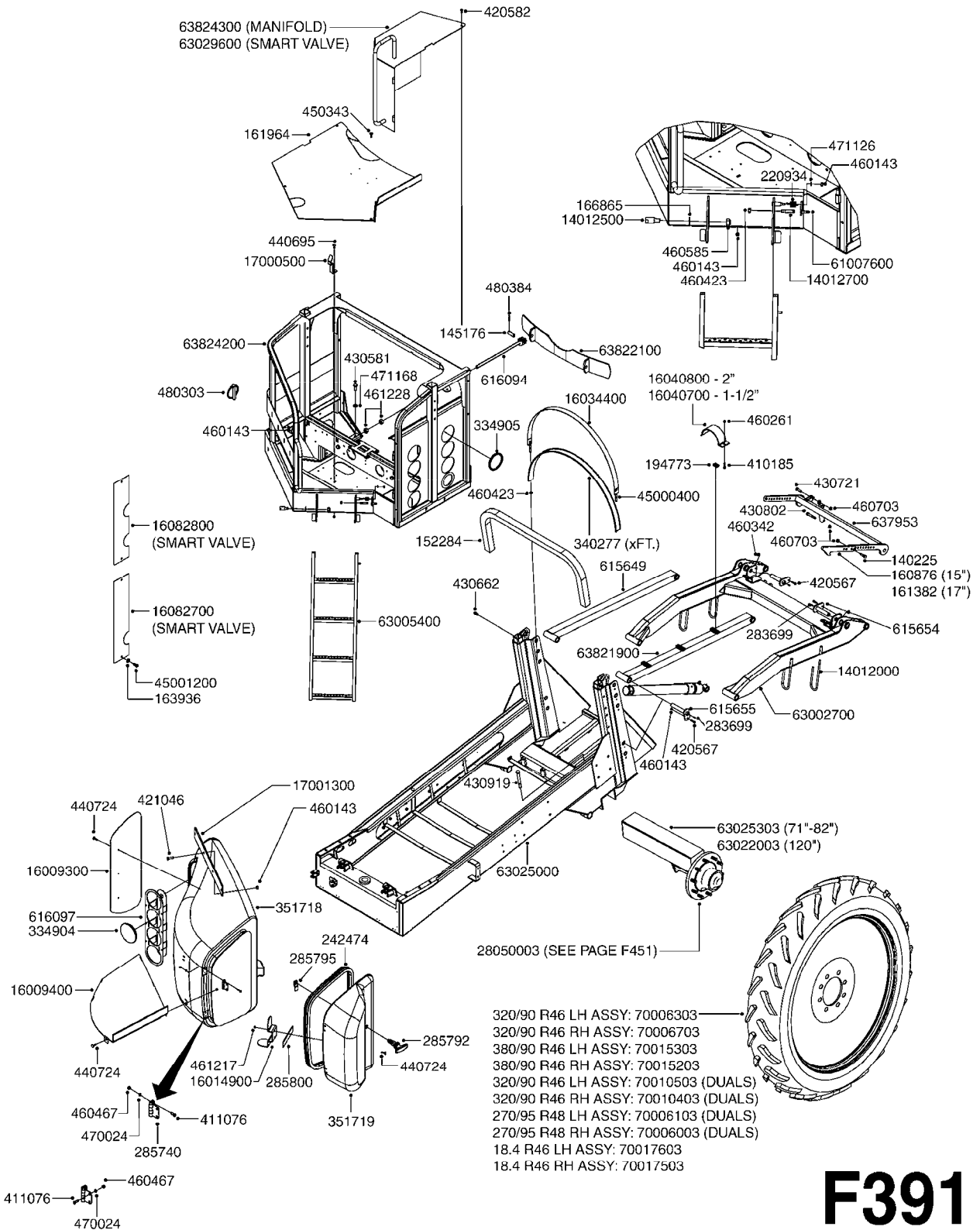
parts-n°	order qty	description
145770	1	LOCKING PAWL D16X110
147293	1	STUD M8 FEMALE L=80
147384	1	HOOK FOR PTO CM
147667	1	PTO SHAFT 1-3/8X6 1-3/8X6
159086	1	BUSHING D16.0/13.0 L=10MM
160918	1	BRACKET F. MANIFOLD CM
160928	1	COVER F. MANIFOLD RIGHT CM
160929	1	COVER F. MANIFOLD LEFT CM
161382	1	HOOK F. TRANSPORT LOCK L=340MM
172138	1	BRACKET F. HYD. ACCUMULATOR CM
172848	1	FLATBAR 30 X 8 L=140
173529	1	FLATBAR 60X30 L=265/2XD22
210835	1	BUSHING D28/25 L=25
220901	1	SPRING F. PTO HOOK CM
283699	1	GREASE NIPPLE M6X1
283707	1	PLUG 50X20X2
285517	1	JACK COMPLETE F. CM875/1200
333956	1	SLIDE SHOE 91X25X10
334561	1	PLUG 50x50x2 F. SQ. TUBE
340207	1	TANK STRAP PACKING 40X800
340432	1	TANK FRAME PACKING 40X1000
390722	1	BUSHING D26/11 L=32 F. LADDER
420567	1	BOLT HEX 8.8 DEL M8X30 FT
420582	1	BOLT HEX 8.8 DEL M8X20 FT
420781	1	BOLT HEX 8.8 DEL M8X50
420825	1	BOLT HEX 8.8 DEL M10X65
421024	1	BOLT HEX 8.8 DEL M8X60
421224	1	BOLT HEX 8.8 DEL M10X55
430721	1	BOLT HEX 8.8 DEL M12X40 FT
430878	1	BOLT HEX 8.8 DEL M12X45
430917	1	SCREW M20X90
430919	1	BOLT HEX 8.8 DEL M20X180
430930	1	BOLT HEX 8.8 DEL M24X70
430946	1	BOLT HEX M16 x 180 8.8 DEL
460143	1	NUT HEX M8 LOCK
460342	1	NUT HEX M10
460423	1	NUT HEX M10X1.5 LOCK
460585	1	NUT HEX M16X2 LOCK
460703	1	NUT HEX M12X1.75 LOCK
460806	1	NUT HEX M20X2.5 LOCK
471127	1	WASHER D24/D13X2.5 STAINLESS
471168	1	WASHER SPECIAL M16 NORDLOCK
480244	1	PIN SNAP D4.5
480730	1	PIN ROLL 5X30 STAINLESS STEEL
615649	1	ARM UPPER F. PARALIFT
615654	1	PIN D25 X 123 F. PARALIFT
615655	1	PIN D25 X 156 F. PARALIFT
615776	1	BRACE FOR FRAME CM
615885	1	MOUNT BKT. F. EC ON/OFF CM875/12
637672	1	LADDER F. CM
637688	1	PTO SUPPORT ARM F. CM
637706	1	JACK STORAGE BRACKET
637949	1	DRAWBAR WELDMENT CM875/1200
637953	1	TRANSPORT SAFETY HOOK ARM ASSY
638004	1	PLATFORM WELDMENT CM 875/1200
731466	1	HITCH CLEVIS KIT F. CM875/1200
731942	1	HITCH SWIVEL KIT F. CM1200/1500
10009603	1	BOLT HEX 3/8 NC GR.2 01.00"
10212903	1	NUT HEX NC (NYLON LOCK) 3/8"
10246903	1	BOLT HEX 1/2 NC GR.2 02.00"



FRAME - CM 875/1200
F390-HIN, 18:10:12

Page 2
Date 19.03.2013 9:52

parts-n°	order qty	description
10451303	1	NUT HEX NC (NYLON LOCK) 1/2
10615903	1	TIRE ASSY 2-3/16 OFFSET RH
10616003	1	TIRE ASSY 2-3/16 OFFSET LH
10620503	1	EXTENDED HITCH CM, SWIVEL W/M
10625903	1	BEARING FLANGED FB250-HUB CITY
10626003	1	PTO GUARD FLANGE BLOCK;W/M
16033300	1	TANK STRAP 40x2.0 - 1185MM
16034100	1	TANK STRAP CM1200 L=65"
16391700	1	FLATBAR F. CLEVIS, PAINTED
28045703	1	HUB ASSY 10-13.19-11.02 25000#
28050003	1	HUB F 3.5" 873 15000# PACKAGE
46000003	1	NUT HEX NF 3/4" FLANGED F.HUB
63002700	1	PARALIFT BENT WELDMENT PAINTED
63022003	1	AXLE CM+1200 120" 3.5"W/ SPNDL
63025303	1	AXLE INSRT CM+1200W.SPDL 71-82
70006003	1	WHEEL ASM.DLS 22"270/95R48 RH
70006103	1	WHEEL ASM.22"DLS 270/95R48 LH
78120700	1	CYLINDER 60/25 X 725 CM PAR



F391



FRAME - CM+1200
F391-HIN, 09:12:09

Page 1
Date 19.03.2013 9:52

parts-n°	order qty	description
140225	1	BOLT SPECIAL F.PARALIFT M12x50
145176	1	PIN D19.8 X 60
152284	1	CROSSBAR F. FRAME TOWERS CM+
160876	1	HOOK F.TRANSPORT LOCK L=280MM
161382	1	HOOK F.TRANSPORT LOCK L=340MM
161964	1	PLATFORM DECK PLATE CM+ 750
163936	1	WASHER D15/D6.2X1
166865	1	WASHER D35/D25X2
194773	1	C CHANNEL 14.5X8,8X3,5X2 L=24
220934	1	LAT.PRESS.SPRING D20/3 L=25 SS
242474	1	SEAL 16X28XL=' LOCKER DOOR CM+
283699	1	GREASE NIPPLE M6X1
285740	1	HINGE
285792	1	LATCH LOCKER DOOR CM+
285795	1	LATCH PLATE LOCKER DOOR CM+
285800	1	VELCRO BAND
334904	1	PLUG D.108mm
334905	1	PLUG D.138mm
340277	1	TANK PACKING - 40mm WIDE x 12"
351718	1	LOCKER FRONT CM+
351719	1	DOOR LOCKER FRONT CM+
410185	1	BOLT HEX 8.8 DEL M6X16
411076	1	SCREW M5X16 STAINLESS
420567	1	BOLT HEX 8.8 DEL M8X30 FT
420582	1	BOLT HEX 8.8 DEL M8X20 FT
421046	1	BOLT HEX 8.8 DEL M8X25 FT
430581	1	BOLT HEX 8.8 DEL M16X40 FT
430662	1	BOLT HEX 8.8 DEL M12X20 FT
430721	1	BOLT HEX 8.8 DEL M12X40 FT
430802	1	BOLT HEX 8.8 DEL M12X75
430919	1	BOLT HEX 8.8 DEL M20X180
440695	1	BOLT CARRIAGE M8X25
440724	1	CARRIAGE BOLT M5X20
450343	1	SCREW M8X30 ALLEN HEAD C/S SS
460143	1	NUT HEX M8 LOCK
460261	1	NUT HEX M6X1 LOCK
460342	1	NUT HEX M10
460423	1	NUT HEX M10X1.5 LOCK
460467	1	NUT HEX M5 GALV.
460585	1	NUT HEX M16X2 LOCK
460703	1	NUT HEX M12X1.75 LOCK
461217	1	NUT HEX M5 LOCK
461228	1	NUT HEX M20
470024	1	WASHER D5.3 LOCK
471126	1	WASHER D16/D8.4X1.6 SS
471168	1	WASHER SPECIAL M16 NORDLOCK
480303	1	PIN 7/16 SNAP RING
480384	1	PIN COTTER D5X40
615649	1	ARM UPPER F. PARALIFT
615654	1	PIN D25 X 123 F. PARALIFT
615655	1	PIN D25 X 156 F. PARALIFT
616094	1	THREADED FORK PLATFORM CM+
616097	1	MOUNT BRACKET GAUGES CM+
637953	1	TRANSPORT SAFETY HOOK ARM ASSY
14012000	1	HOOK FOR HOSES PARALIFT
14012500	1	THREADED PIN M16X62
14012700	1	PIN TREADED M8-1.25X58L
16009300	1	SHIELD F. FRONT LOCKER CM+
16009400	1	SHELF F. LOCKER CM+
16014900	1	BKT F. FIRE EXTIG. CM+
16034400	1	TANK STRAP 40X2.0-1960MM CM12+



FRAME - CM+1200
F391-HIN, 09:12:09

Page 2
Date 19.03.2013 9:52

parts-n°	order qty	description
16040700	1	HOSE HOLDER 1-1/2" CM+
16040800	1	HOSE HOLDER 2" CM+
16082700	1	SHIELD SINGLE MANIFOLD CM+ SV
16082800	1	SHIELD DOUBLE MANIFOLD CM+ SV
17000500	1	MT BKT CLEAN WATER BOT. CM+
17001300	1	BRACKET 60X6 L=536
28050003	1	HUB F 3.5" 873 15000# PACKAGE
45000400	1	T-BOLT SPECIAL F.TANK STRAP ES
45001200	1	SCREW M6X12 ALLEN HEAD SS
61007600	1	HOOK FOR STEPS CM+
63002700	1	PARALIFT BENT WELDMENT PAINTED
63005400	1	LADDER CM+
63022003	1	AXLE CM+1200 120" 3.5"W/ SPNDL
63025000	1	MAIN FRAME 1200 PLUS
63025303	1	AXLE INSRT CM+1200W.SPDL 71-82
63029600	1	MANIFOLD SHIELD CM+ SV
63821900	1	PARALIFT ARM W/MOUNTS
63822100	1	TANK FRONT RESTRAINT
63824200	1	WORK PLATFORM 750 PLUS
63824300	1	MANIFOLD SHIELD CM+
70006003	1	WHEEL ASM.DLS 22"270/95R48 RH
70006103	1	WHEEL ASM.22"DLS 270/95R48 LH
70006303	1	WHEEL ASM. 320/90R46 LH
70006703	1	WHEEL ASM. 320/90R46 RH
70010403	1	WHEEL ASM.30"DLS 320/90R46 RH
70010503	1	WHEEL ASM.30"DLS 320/90R46 LH
70015203	1	TIRE ASSY 380/90R46 HL RH
70015303	1	TIRE ASSY 380/90R46 HL LH
70017503	1	TIRE ASSY R.H. 18.4/R46"
70017603	1	TIRE ASSY L.H. 18.4/R46"



DRAWBAR - CM+750/1200
F392-HIN, 18:10:12

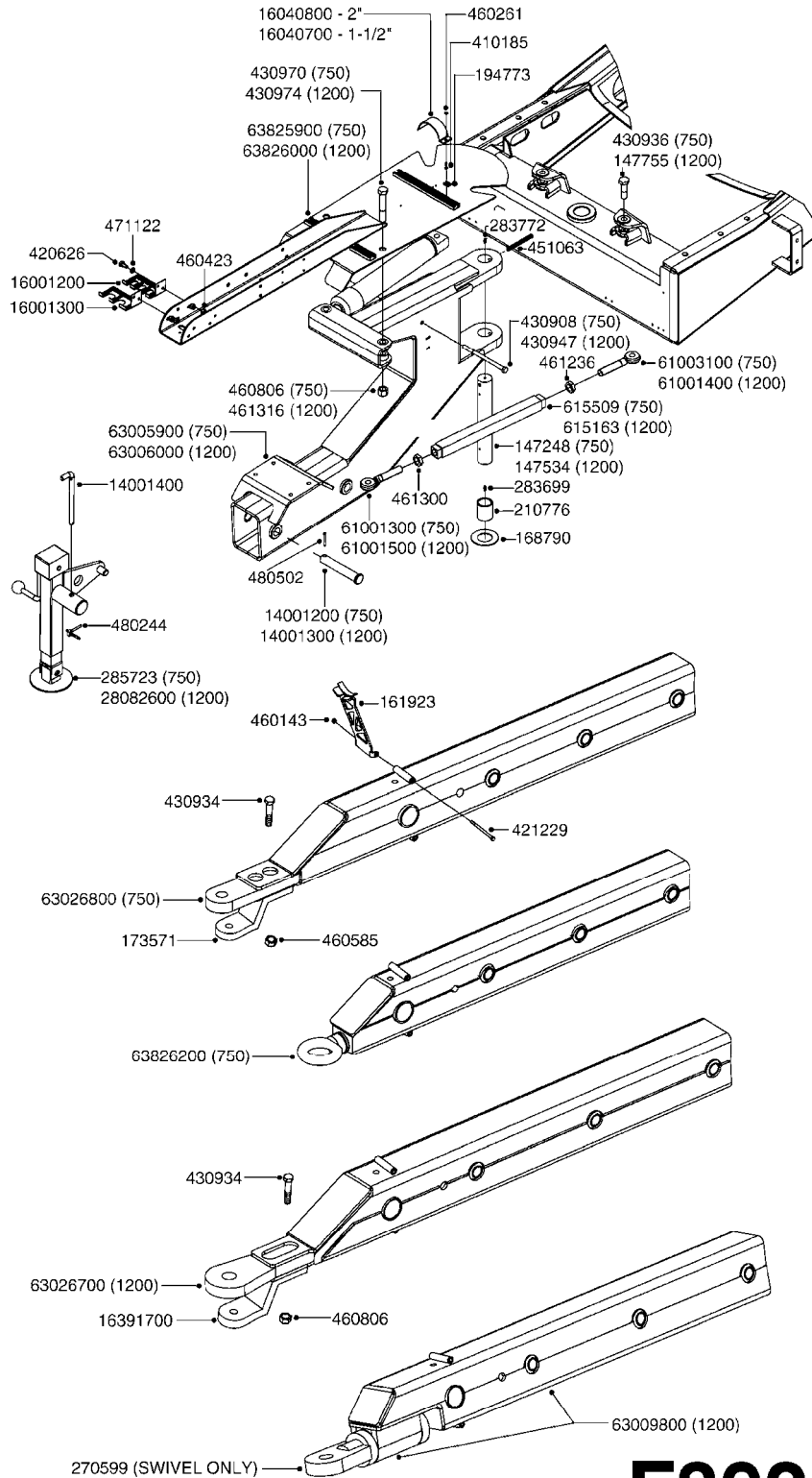
Page

0

Date

19.03.2013

9:52



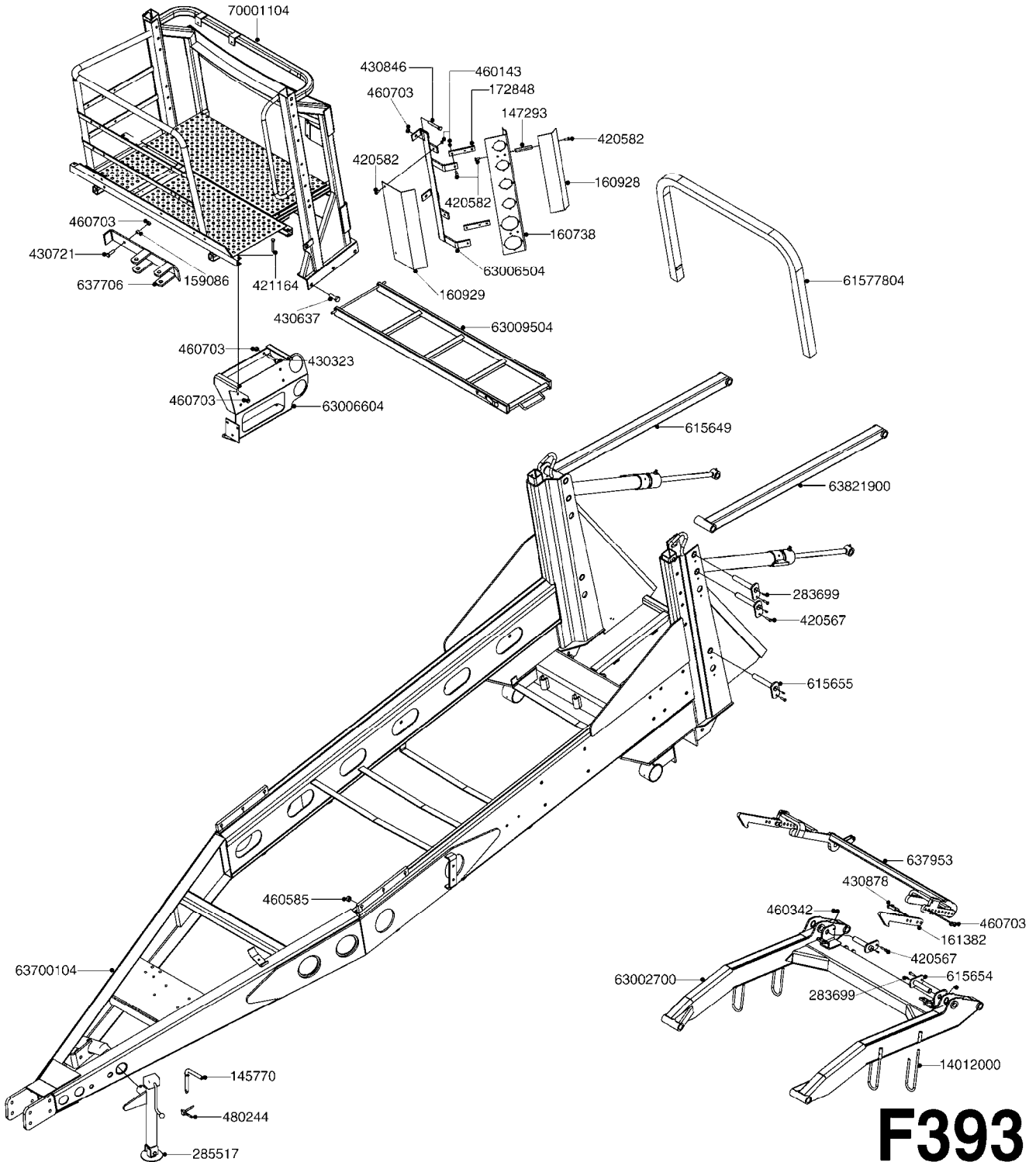
F392



DRAWBAR - CM+750/1200
F392-HIN, 18:10:12

Page 1
Date 19.03.2013 9:52

parts-n°	order qty	description
147248	1	PIN PIVOT F. DRAWBAR CM750+
147534	1	PIN PIVOT F.DRAWBAR CM1200+
147755	1	BOLT HEX SPECIAL M30 L=75
161923	1	SUPPORT PLATE F. PTO CM+
168790	1	WASHER D96.0/52.0 X 3.0
173571	1	FLATBAR F. USA HITCH CM750
194773	1	C CHANNEL 14.5X8,8X3,5X2 L=24
210776	1	BUSHING F.TWIN STEERING ARM
270599	1	SWIVEL Ø42
283699	1	GREASE NIPPLE M6X1
283772	1	GREASE NIPPLE H3 M6 X 4
285723	1	JACK ASSY. COMMANDER 750 PLUS
410185	1	BOLT HEX 8.8 DEL M6X16
420626	1	BOLT HEX 8.8 DEL M10X20 FT
421229	1	BOLT HEX 8.8 DEL M8x120
430908	1	BOLT HEX 8.8 DEL M12X200
430934	1	BOLT HEX 8.8 DEL M16X80
430936	1	BOLT HEX M20 X 70MM DEL
430947	1	BOLT HEX 8.8 DEL M12X210
430970	1	BOLT M20 x 120MM
430974	1	BOLT HEX M30X140
451063	1	SET SCREW M12X40
460143	1	NUT HEX M8 LOCK
460261	1	NUT HEX M6X1 LOCK
460423	1	NUT HEX M10X1.5 LOCK
460585	1	NUT HEX M16X2 LOCK
460806	1	NUT HEX M20X2.5 LOCK
461236	1	NUT HEX M24X1.5
461300	1	NUT HEX M24X1.5 LH
461316	1	NUT HEX LOCK M30X3.5
471122	1	WASHER D20/D10.5X2 SS
480244	1	PIN SNAP D4.5
480502	1	PIN RETAINING M10X50 DIN 1481
615163	1	TURN BUCKLE COM. 1200+ M24
615509	1	TURN BUCKLE COM. 750+ M24
14001200	1	DRAWBAR PIN COMMANDER 750 PLUS
14001300	1	DRAWBAR PIN CM1200+
14001400	1	PIN F. JACKSTAND CM+
16001200	1	HYD HOSE STORAGE BKT. REAR
16001300	1	HYD HOSE STORAGE BKT. FRONT
16040700	1	HOSE HOLDER 1-1/2" CM+
16040800	1	HOSE HOLDER 2" CM+
16391700	1	FLATBAR F. CLEVIS, PAINTED
28082600	1	SUPPORT LEG F. NAV, CM+3000KG
61001300	1	TURN BUCKLE END LH 750+ M24
61001400	1	TURN BUCKLE END RH 1200+ M24
61001500	1	TURN BUCKLE END LH 1200 PLUS
61003100	1	TURN BUCKLE END RH 750+ M24
63005900	1	HITCH COMMANDER 750 PLUS
63006000	1	HITCH COMMANDER 1200 PLUS
63009800	1	SWIVEL HITCH COM. 1200 Plus
63026700	1	CLEVIS HITCH COM.+ 1200
63026800	1	CLEVIS HITCH COM.+ 750
63825900	1	CABLE SUPPORT COM 750 PLUS
63826000	1	CABLE HOSE HOLDER COM 1200
63826200	1	SWIVEL HITCH COM. 750 PLUS



F393

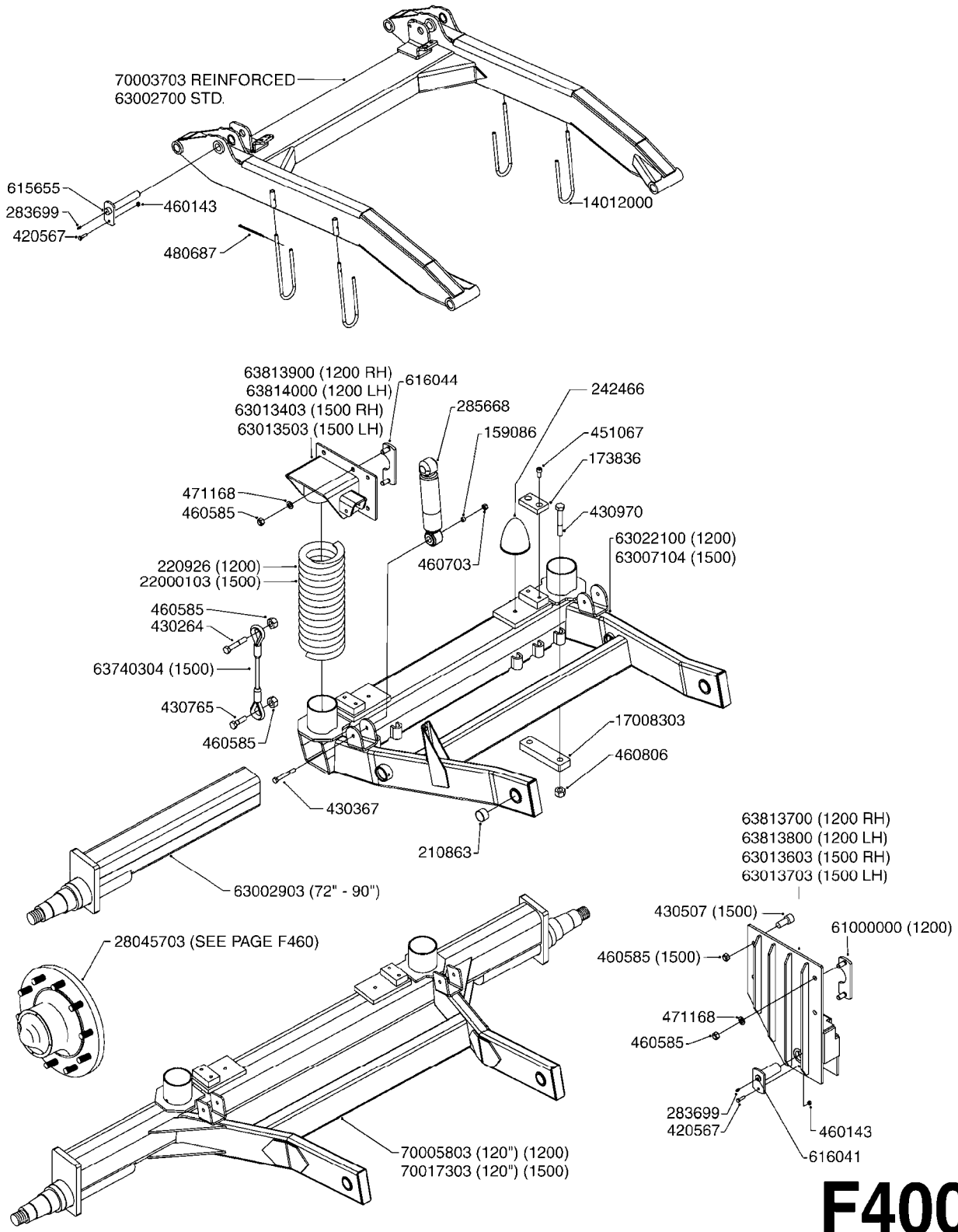


FRAME CM 1500
F393-HIN, 01:01:01

Page 1

Date 19.03.2013 9:52

parts-n°	order qty	description
145770	1	LOCKING PAWL D16X110
147293	1	STUD M8 FEMALE L=80
159086	1	BUSHING D16.0/13.0 L=10MM
160738	1	BRACKET F. MANIFOLD
160928	1	COVER F. MANIFOLD RIGHT CM
160929	1	COVER F. MANIFOLD LEFT CM
161382	1	HOOK F.TRANSPORT LOCK L=340MM
172848	1	FLATBAR 30 X 8 L=140
283699	1	GREASE NIPPLE M6X1
285517	1	JACK COMPLETE F.CM875/1200
420567	1	BOLT HEX 8.8 DEL M8X30 FT
420582	1	BOLT HEX 8.8 DEL M8X20 FT
421164	1	BOLT HEX 8.8 DEL M10X70
430323	1	BOLT HEX 8.8 DEL M12X60
430637	1	BOLT HEX 8.8 DEL M16X50 FT
430721	1	BOLT HEX 8.8 DEL M12X40 FT
430846	1	BOLT HEX 8.8 DEL M12X80
430878	1	BOLT HEX 8.8 DEL M12X45
460143	1	NUT HEX M8 LOCK
460342	1	NUT HEX M10
460585	1	NUT HEX M16X2 LOCK
460703	1	NUT HEX M12X1.75 LOCK
480244	1	PIN SNAP D4.5
615649	1	ARM UPPER F. PARALIFT
615654	1	PIN D25 X 123 F. PARALIFT
615655	1	PIN D25 X 156 F. PARALIFT
637706	1	JACK STORAGE BRACKET
637953	1	TRANSPORT SAFETY HOOK ARM ASSY
14012000	1	HOOK FOR HOSES PARALIFT
61577804	1	TOP FRAME BRACE CM
63002700	1	PARALIFT BENT WELDMENT PAINTED
63006504	1	MANIFOLD MOUNT BKT. CM1500
63006604	1	SUPPORT BRACKET LADDER STORAGE
63009504	1	LADDER CM 1500
63700104	1	FRAME CM 1500
63821900	1	PARALIFT ARM W/MOUNTS
70001104	1	WORKING PLATFORM

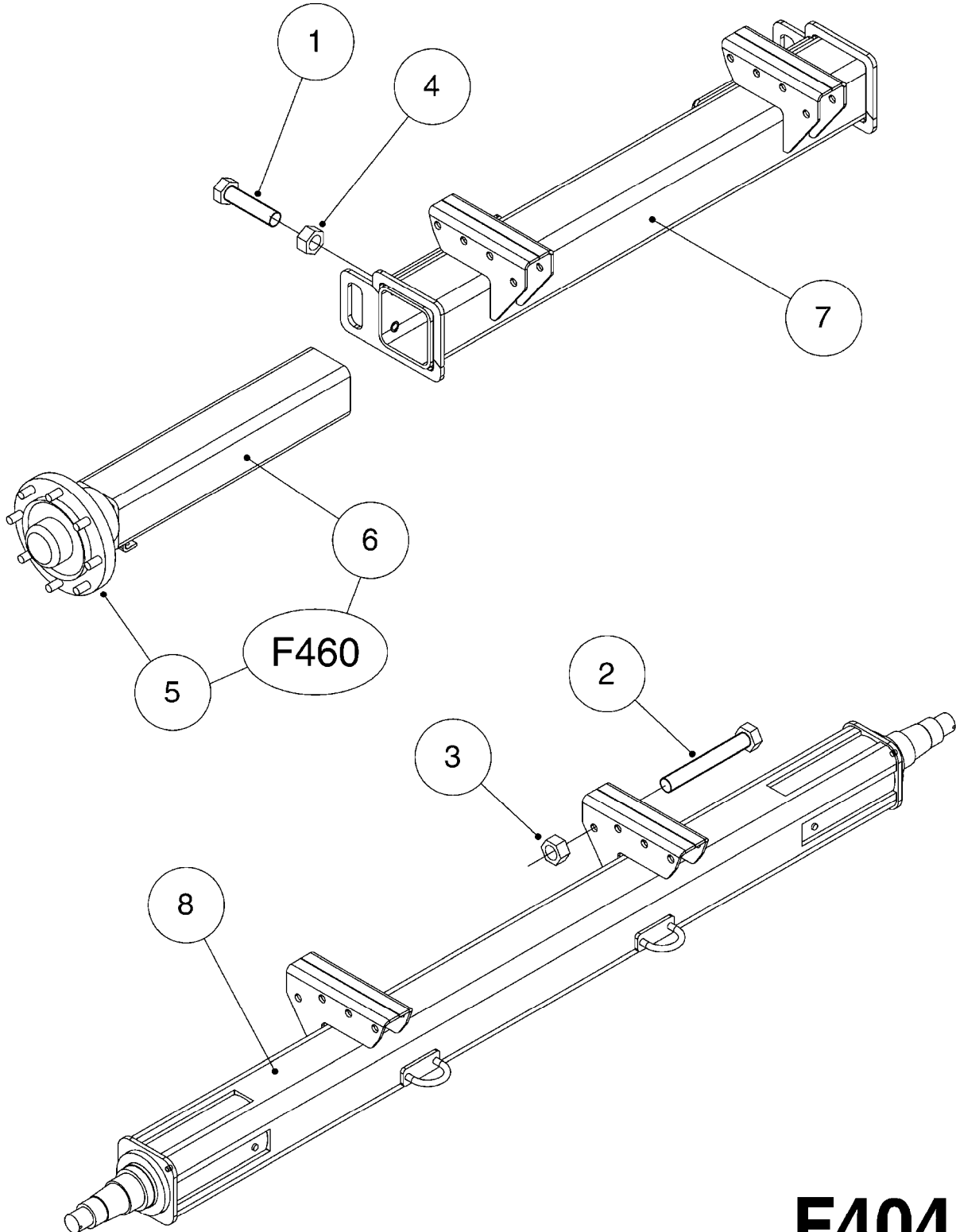




COMMANDER SUSPENDED AXLE
F400-HIN, 09:12:09

Page 1
Date 19.03.2013 9:52

parts-n°	order qty	description
159086	1	BUSHING D16.0/13.0 L=10MM
173836	1	FL.ST. 60X20 L= 100/2XD13
210863	1	BUSHING DU FLNG. D40/44 L=26
220926	1	SPRING D174.0/28 L=675
242466	1	BUMP STOP F. CM SUSPENSION
283699	1	GREASE NIPPLE M6X1
285668	1	SHOCK ABSORBER L=300/465
420567	1	BOLT HEX 8.8 DEL M8X30 FT
430264	1	BOLT HEX 8.8 DEL M16X100
430367	1	BOLT HEX 8.8 DEL M12X100
430507	1	BOLT HEX 8.8 DEL M16X45 FT
430765	1	BOLT HEX 8.8 DEL M16X55
430970	1	BOLT M20 x 120MM
451067	1	BOLT ALLEN M12X25 DIN912 SS
460143	1	NUT HEX M8 LOCK
460585	1	NUT HEX M16X2 LOCK
460703	1	NUT HEX M12X1.75 LOCK
460806	1	NUT HEX M20X2.5 LOCK
471168	1	WASHER SPECIAL M16 NORDLOCK
480687	1	PIN M4X36 SPLIT
615655	1	PIN D25 X 156 F. PARALIFT
616041	1	PIN D40 L = 95
616044	1	FASTENER PLATE/2xM16X1.5 L=45
14012000	1	HOOK FOR HOSES PARALIFT
17008303	1	AXLE SUPPORT CM1500 SUSP.
22000103	1	SPRING CM1500 SUS. ID118/OD178
28045703	1	HUB ASSY 10-13.19-11.02 25000#
61000000	1	FASTENER PLATE/2xM16-1.5 L=50
63002700	1	PARALIFT BENT WELDMENT PAINTED
63002903	1	AXLE INSERT,72"-90"SUS CM 1200
63007104	1	AXLE W/M CM1500 76-90" ADJ.
63013403	1	SPRING CARRIER SUS R.H. CM1500
63013503	1	SPRING CARRIER SUS L.H. CM1500
63013603	1	SWING ARM MT. BKT. R.H. CM1500
63013703	1	SWING ARM MT. BKT. L.H. CM1500
63022100	1	SWINGARM CM3
63740304	1	WIRE D10 X 276
63813700	1	SWINGARM BRACKET RIGHT CM3
63813800	1	SWINGARM BRACKET LEFT CM3
63813900	1	SUSPENSION MOUNTPLATE CM RH
63814000	1	SUSPENSION MOUNTPLATE CM LH
70003703	1	PARALIFT CM BENT REINFORCED
70005803	1	SWINGARM F. SUSP.120"+ 88/132"
70017303	1	AXLE SUS. CM1500 120" FIXED



F404

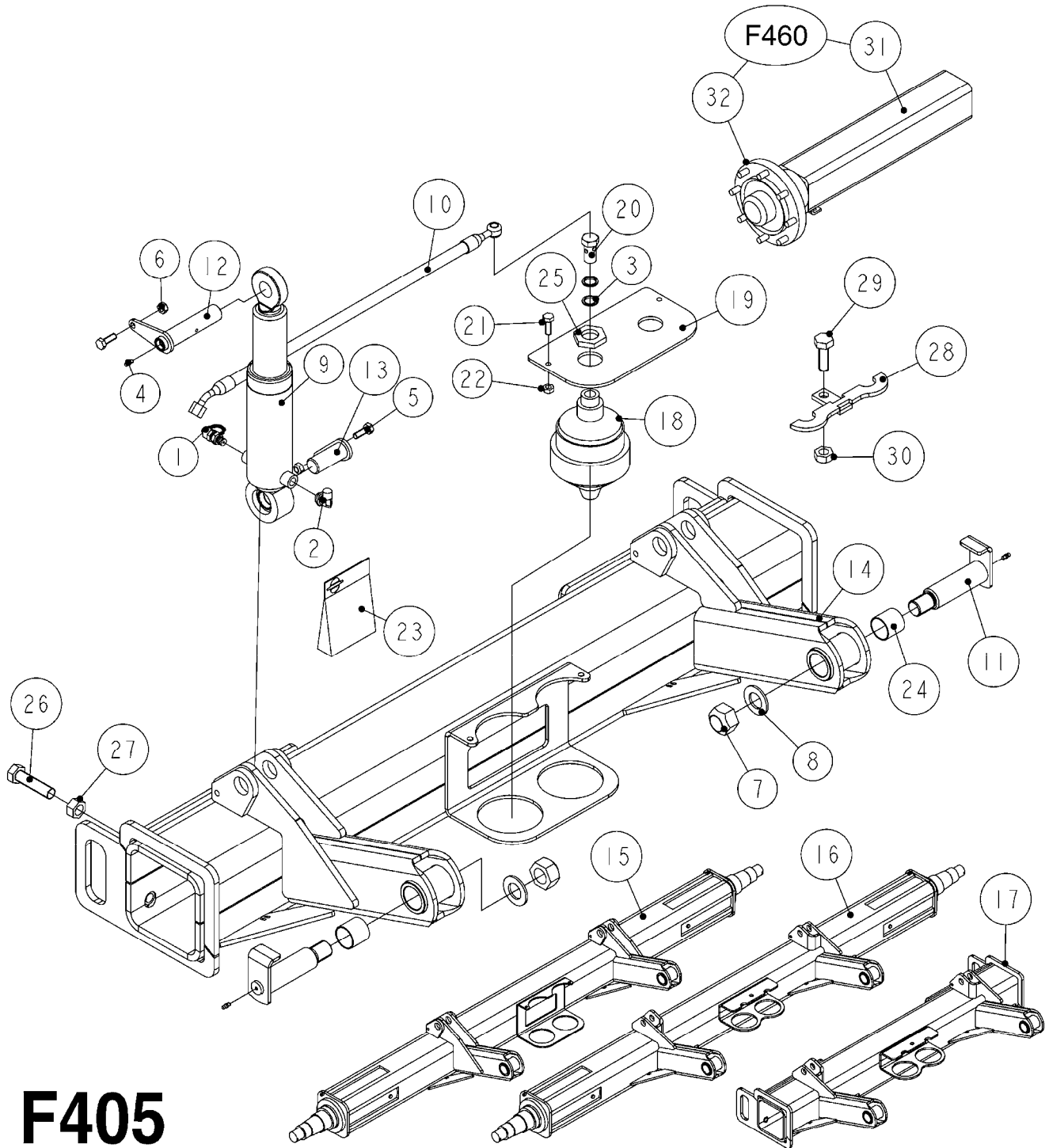


NCM 4400/6600 NON-SUSPEND.AXLE
F404-HIN, 02:06:09

Page 1

Date 19.03.2013 9:52

Pos.	parts-n°	order qty	description
1	430920	1	BOLT HEX M20x80MM
2	430979	1	BOLT HEX M20x140 8.8 DELTA
3	460806	1	NUT HEX M20X2.5 LOCK
4	461228	1	NUT HEX M20
5	28045703	1	HUB ASSY 10-13.19-11.02 25000#
6	63023703	1	AXLE INSERT NCM 44/66/9000
7	63024303	1	AXLE W/M SUSP. FIXED CM"05"
8	63024503	1	AXLE W/M NON SUSP.FIXED CM"05"



F405



NCM 4400/6600 SUSPENDED AXLE
F405-HIN, 02:06:09

Pos.	parts-n°	order qty	description
1	231955	1	NIPPLE FOR PRESSURE GAUGE
2	232278	1	NIPPLE 3/8"/90° W. UNION NUT NCM 4400
2	232293	1	ELBOW 90° 1/2"x1/2" NCM 6600
3	241356	1	DOWTYSEAL 1/2"
4	283699	1	GREASE NIPPLE M6X1
5	421002	1	BOLT HEX 8.8 DEL M10X30 FT NCM 4400
5	421105	1	BOLT HEX 8.8 DEL M10X45 FT NCM 6600
6	460423	1	NUT HEX M10X1.5 LOCK
7	461316	1	NUT HEX LOCK M30X3.5
8	471131	1	WASHER D56.0/D31.0X4.0
9	781136	1	HYDRAULIC SHOCK NCM4400 SUSP. NCM 4400
9	781137	1	HYDRAULIC SHOCK NCM6600 SUSP. NCM 6600
10	28051600	1	HYD. HOSE 3/8" L=745 OML45°/BA NCM 4400
10	28060300	1	HYD. HOSE 1/2" L=710 OML45°/BA NCM 6600
11	61030600	1	PIN TREADED Ø40/L=124 M30-3.0 NCM 4400
11	61037700	1	PIN TREADED Ø40/L=181 M30-3.5 NCM 6600
12	14044000	1	PIN Ø35 L=165 DELTA NCM 6600
12	61030800	1	PIN Ø30/L=127 NCM 4400
13	61031100	1	PIN Ø30/L=81 NCM 4400
13	61037600	1	PIN Ø34.8/L=94 NCM 6600
14	63027003	1	AXLE W/M SUSP. ADJ. NCM6600 NCM 6600
15	63026903	1	AXLE W/M SUSP. FIXED NCM6600 NCM 6600
16	63024403	1	AXLE W/M SUSP. FIXED CM"05" NCM 4400
17	63024203	1	AXLE W/M SUSP. ADJ. CM"05" NCM 4400
18	28023900	1	ACCUMULATOR 0.75L/70 BAR CM"05 NCM 4400
18	28059400	1	ACCUMULATOR NCM6600 SUSPENSION NCM 6600
19	16155600	1	ACCUMULATOR MT. PLATE 6600 NCM 6600
20	232291	1	BANJOBOLT 1/2" BSP
21	421046	1	BOLT HEX 8.8 DEL M8X25 FT NCM 6600
22	460143	1	NUT HEX M8 LOCK NCM 6600
23	28064100	1	GASKET SET FOR CYL. 781136 NCM 4400
23	28064200	1	GASKET SET FOR CYL. 781137 NCM 6600
24	210863	1	BUSHING DU FLNG. D40/44 L=26 NCM 4400
24	210865	1	BUSHING 40mm40mm DU NCM 6600

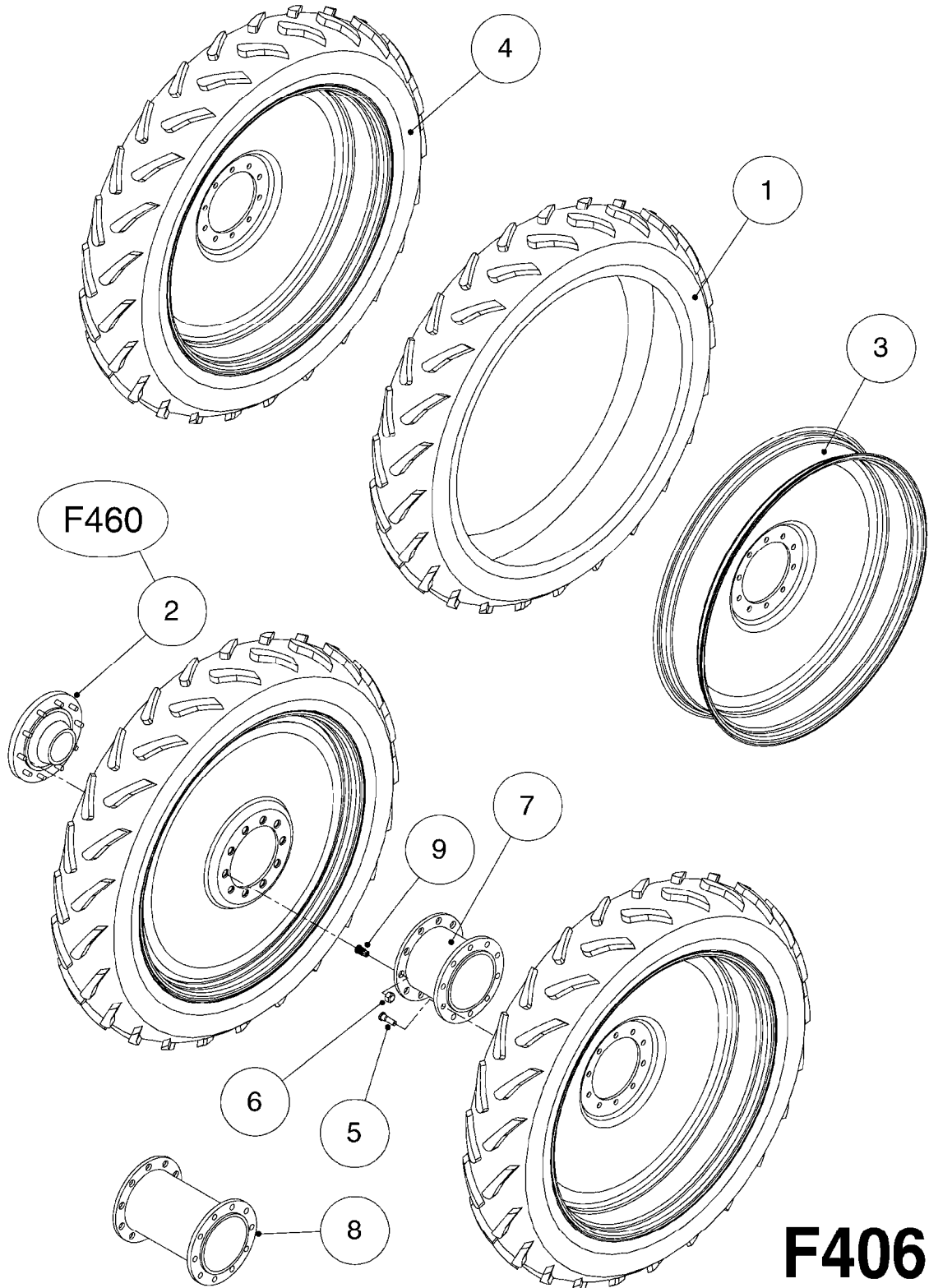


NCM 4400/6600 SUSPENDED AXLE
F405-HIN, 02:06:09

Page 2

Date 19.03.2013 9:52

Pos.	parts-n°	order qty	description
25	14022800	1	NUT M33-1.5/NV=55/L=8
26	430920	1	BOLT HEX M20x80MM
27	461228	1	NUT HEX M20
28	61011703	1	ACCUMULATOR MT. BKT. NCM 4400 NCM 4400
29	430581	1	BOLT HEX 8.8 DEL M16X40 FT NCM 4400
30	460585	1	NUT HEX M16X2 LOCK NCM 4400
31	63023703	1	AXLE INSERT NCM 44/66/9000 NCM 4400
32	28045703	1	HUB ASSY 10-13.19-11.02 25000#



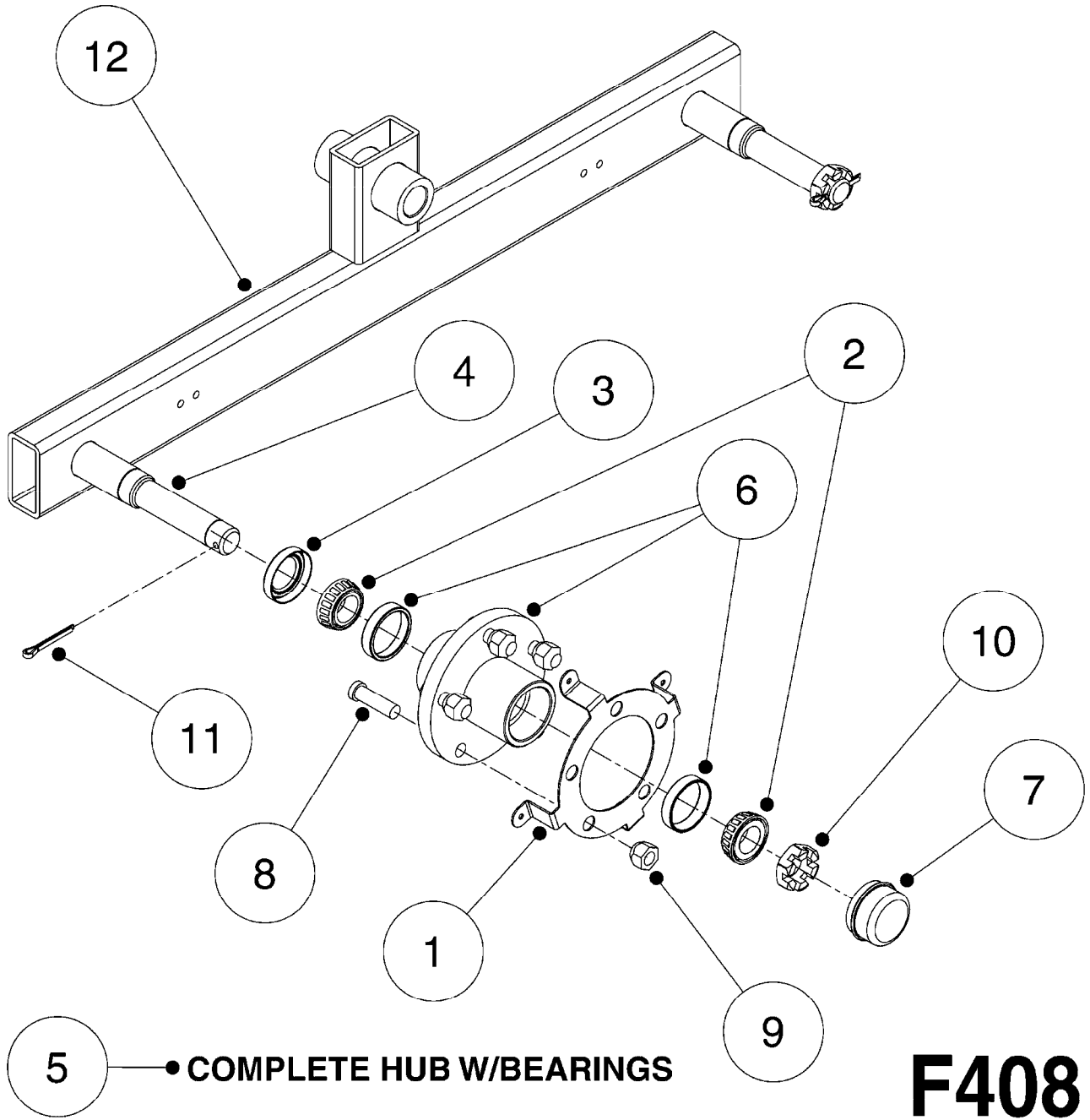
F406



WHEELS FOR NEW COMMANDER
F406-HIN, 02:06:09

Page 1
Date 19.03.2013 9:52

Pos.	parts-n°	order qty	description
1	10615703	1	TIRE 320 90R46' RAD.TL 357774
2	28045703	1	HUB ASSY 10-13.19-11.02 25000#
3	28007103	1	RIM,10x46,5.75NOS,13.189BC
4	28031203	1	TIRE ASSY. 320/90R50" HL R.H.
4	28031303	1	TIRE ASSY. 320/90R50" HL L.H.
4	28037603	1	TIRE ASSY.320/90R50" R.H. DUAL
4	28037703	1	TIRE ASSY.320/90R50" L.H. DUAL
4	28038603	1	TIRE 320/90R50" 161A8B HI LOAD
4	70006303	1	WHEEL ASM. 320/90R46 LH
4	70006703	1	WHEEL ASM. 320/90R46 RH
5	28034803	1	STUD 3/4"NF/5/8"KNURL L=2-5/8"
6	46000303	1	NUT, BUD WHEEL, OUTER, RH
7	61011203	1	DUAL SPACER 22" ROW 50" TIRE
8	61011303	1	DUAL SPACER 30" ROW 50" TIRE
9	46000203	1	NUT, BUD WHEEL, INNER, RH

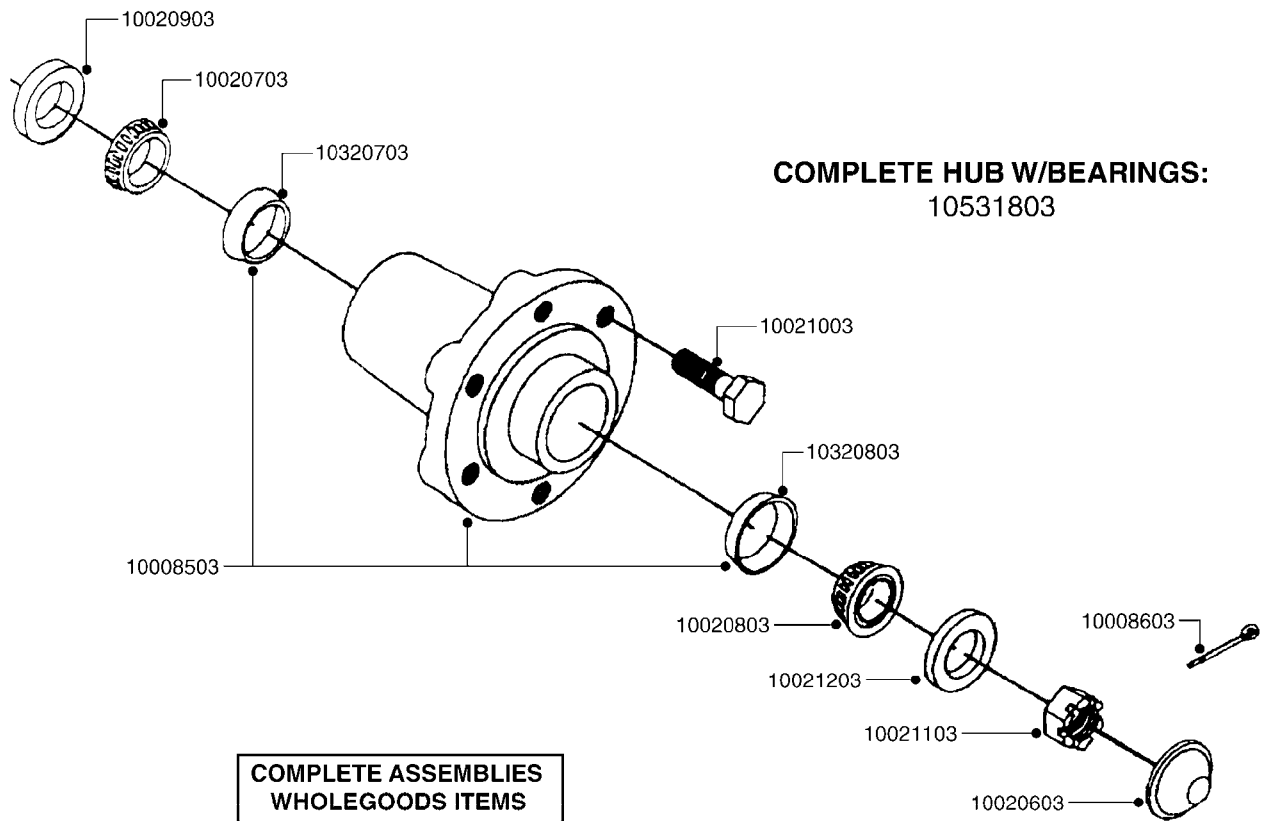
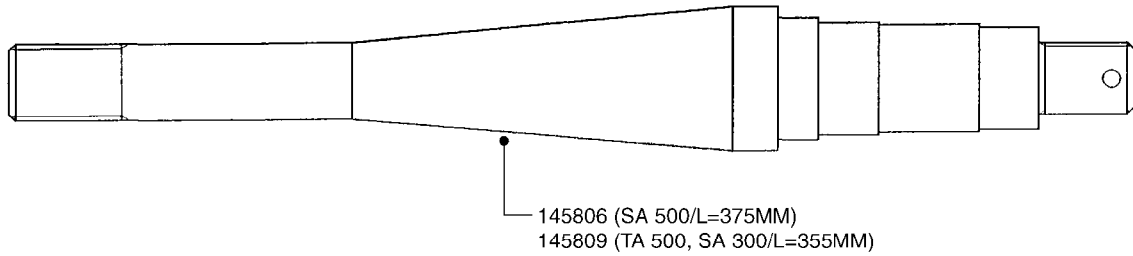
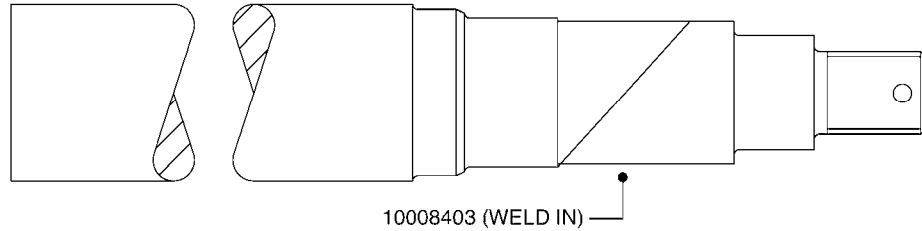




HUB ASSEMBLY F.1-1/4" SPINDLE
F408-HIN, 28:06:06

Page 1
Date 19.03.2013 9:52

Pos.	parts-n°	order qty	description
1	16097703	1	SPEED RING, 5 BOLT, 4.5" B.C.
2	21002303	1	BEARING, TAPPERED, 1" SPINDLE
3	21002403	1	SEAL, GRASE F. 1000LB HUB
4	28031403	1	SPINDLE, 1.25"x9" INCLUDES 46001403 AND 48000303
5	28031503	1	HUB PKG.1.25"SPINDLE 5-4.5-2.5 COMPLETE HUB W/BEARINGS
6	28038003	1	HUB, 1000LB W.BRG RACES 1"SPDL
7	29003603	1	HUB CAP F. 1000LB HUB
8	45000203	1	BOLT, WHEEL STUD 1/2"
9	46001303	1	NUT - LUG 1/2" - 1000LB HUB
10	46001403	1	NUT, CASTLE F. 1" SPINDLE
11	48000303	1	PIN, COTTER 5/32" X 2"
12	63015903	1	TANDEM BEAM, WITH SPINDLE, ATV



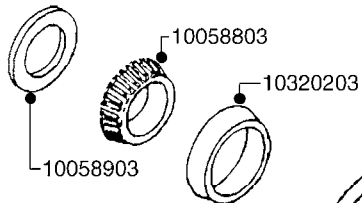
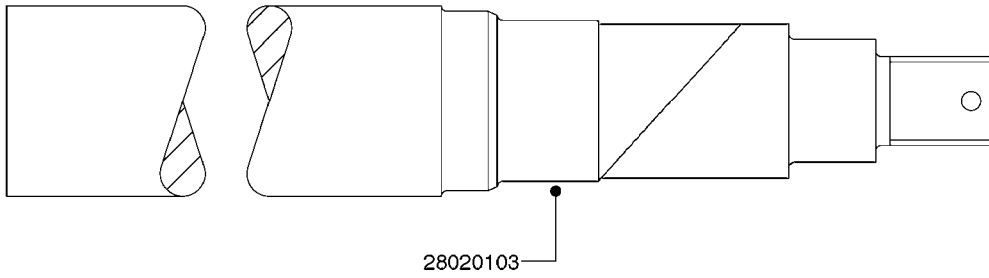
F410



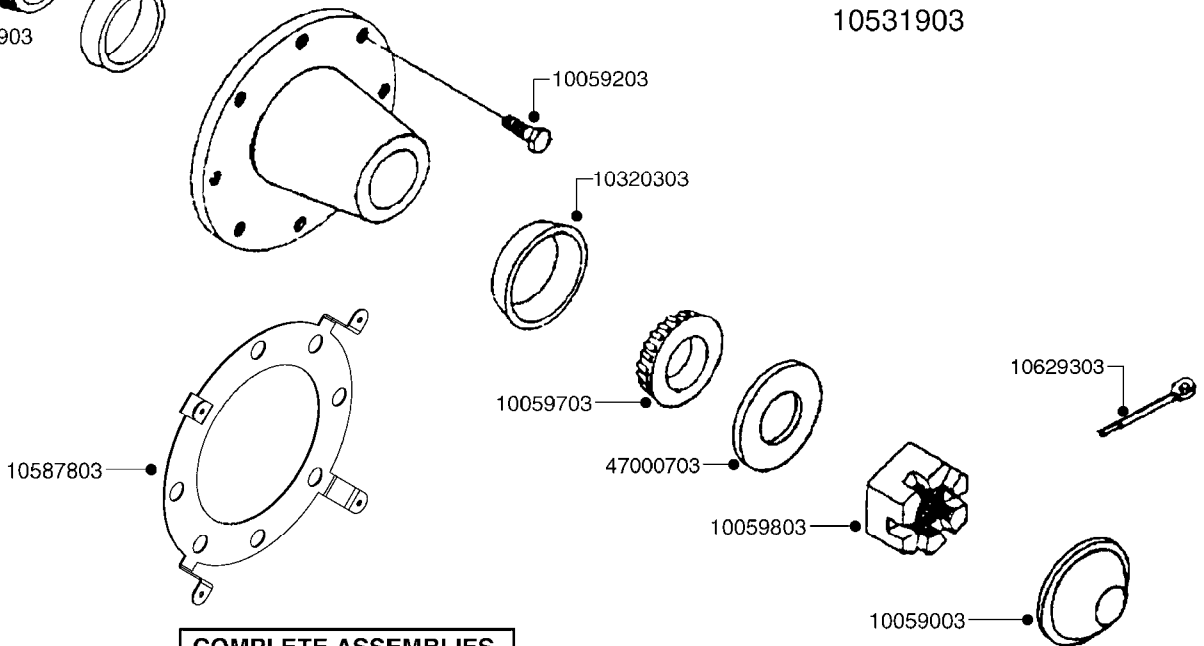
HUB ASSEMBLY F.1-3/4" SPINDLE
F410-HIN, 22:08:05

Page 1
Date 19.03.2013 9:52

parts-n°	order qty	description
145806	1	SPINDLE 500 SINGLE
145809	1	SPINDLE 300 SINGLE
10008403	1	SPINDLE ASSY. 1.75x13.25
10008503	1	HUB TR300/500 H611-3 C/W CUPS
10008603	1	COTTER PIN 3/16"X 1-1/2"
10020603	1	DUST CAP DC13
10020703	1	BEARING INNER CORE LM48548
10020803	1	BEARING OUTER CORE LM67048
10020903	1	SEAL OIL CR15190
10021003	1	BOLT HEX 1/2 NF 01.375" WHEEL
10021103	1	NUT HEX NF 7/8 WB32
10021203	1	WASHER PLATE D2"D.937"
10320703	1	BEARING INNER CUP
10320803	1	BEARING OUTER CUP
10531803	1	HUB ASSY.COMP.F.1-3/4" SPINDLE



COMPLETE HUB W/BEARINGS:
10531903



**COMPLETE ASSEMBLIES
WHOLEGOODS ITEMS**

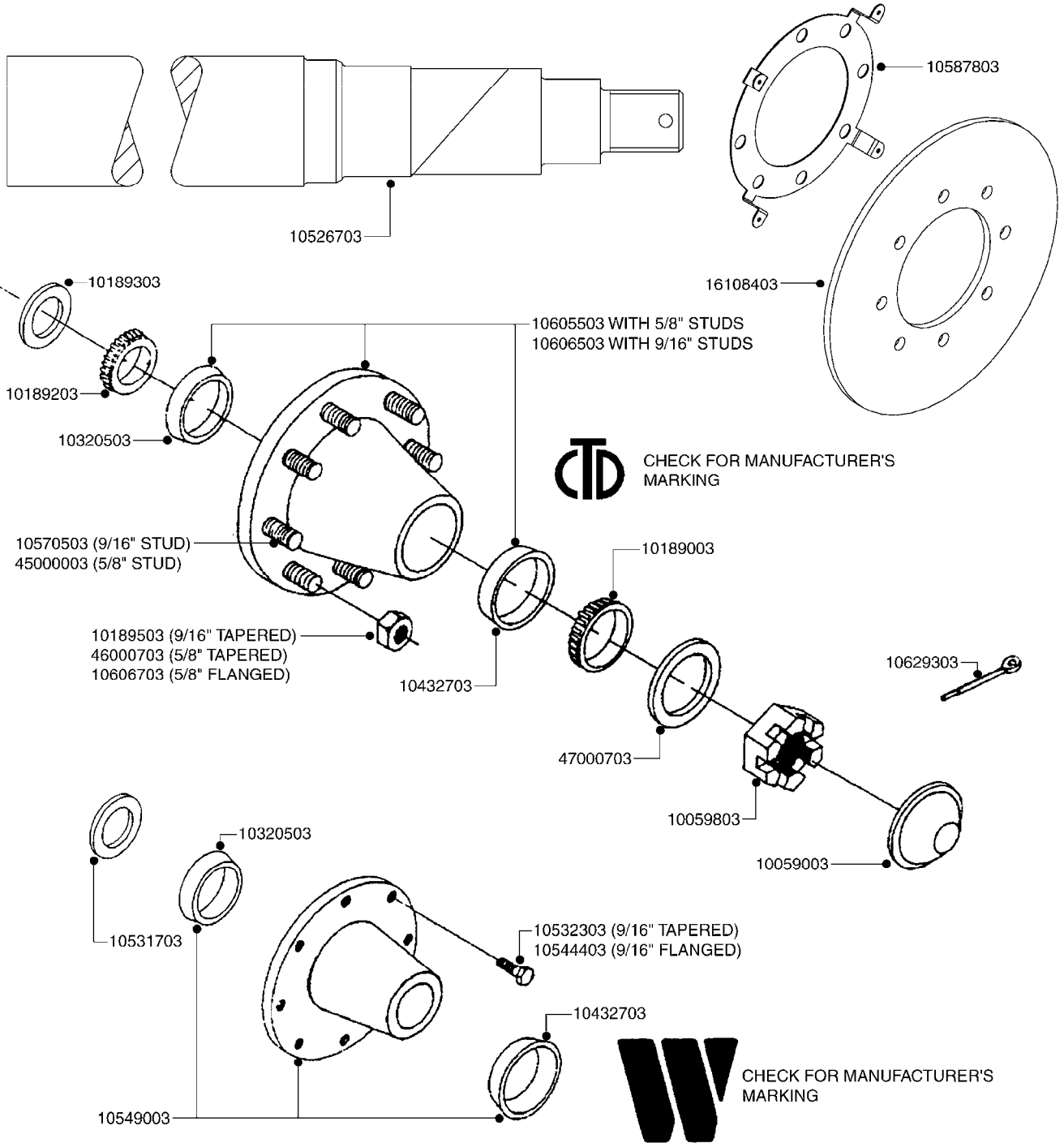
F420



HUB ASSEMBLY F.2 1/8" SPINDLE
F420-HIN, 28:11:06

Page 1
Date 19.03.2013 9:52

parts-n°	order qty	description
10058803	1	BEARING INNER CONE A25590
10058903	1	SEAL HUB A5E41
10059003	1	DUST CAP 800/1000 GAL A3C17
10059203	1	BOLT WHEEL 9/16"x1-1/4"UNF 90D
10059703	1	BEARING OUTER CONE A25877
10059803	1	NUT HEX NF 1"
10320203	1	BEARING INNER CUP1000GAL.TR/TA
10320303	1	BEARING OUTER CUP1000GAL.TR/TA
10531903	1	HUB ASSY.COMP.F.2-1/8" SPINDLE
10587803	1	MAG MNT F. SPEED SNS 8 BOLT
10629303	1	PIN, COTTER 7/32" X 1.75" LONG
28020103	1	SPINDLE 2.125 CRS 14" 811
47000703	1	WASHER, SPNDL 1.1" 1.06x2 .19T



**TAPERED NUTS OR BOLTS
NEEDED FOR 12.4" X 24" RIMS ONLY**

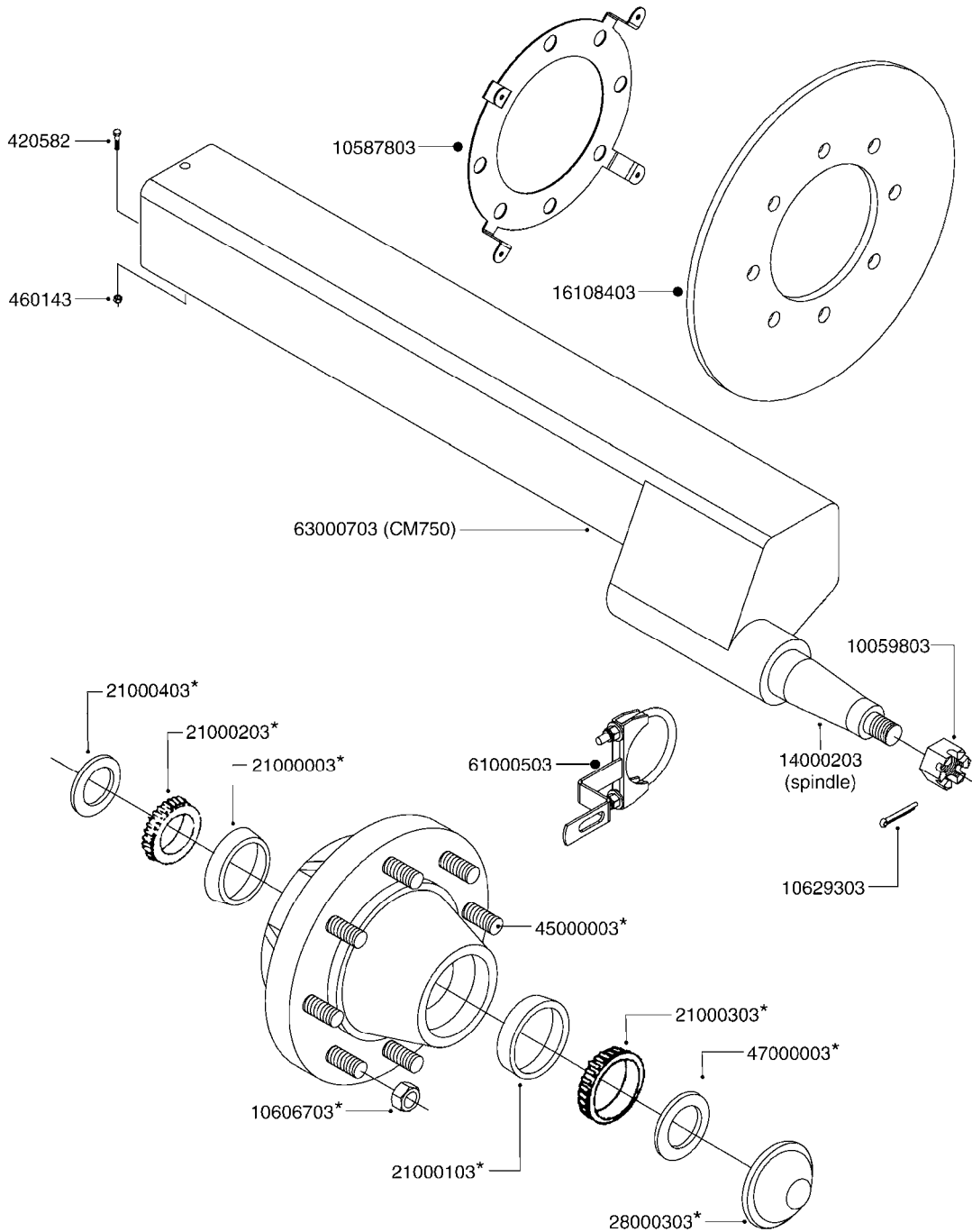
F430



HUB ASSEMBLY F.2 3/4" SPINDLE
F430-HIN, 20:05:09

Page 1
Date 19.03.2013 9:52

parts-n°	order qty	description
10059003	1	DUST CAP 800/1000 GAL AEC17
10059803	1	NUT HEX NF 1"
10189003	1	BEARING OUTER 800/1000 GAL.SA
10189203	1	BEARING INNER CONE 3780
10189303	1	SEAL OIL 800/1000 GAL.SA
10189503	1	NUT HEX NF 9/16 WHEEL STUD
10320503	1	BEARING INNER CUP F. 2-3/4"
10432703	1	BEARING OUTER CUP F. 2.3/4"
10526703	1	SPINDLE 2.75X15.75 W/NUT&WASH
10531703	1	SEAL GREASE F.WILTON HUB A812
10532303	1	BOLT WHEEL 9/16"UNF X 1-1/2"
10544403	1	BOLT HEX 9/16 NF GR.5 01.25FL
10549003	1	HUB ASSY.2-3/4" W.9/16" THREAD
10570503	1	STUD F. HUB 9/16" x 2-1/4"
10587803	1	MAG MNT F. SPEED SNS 8 BOLT
10605503	1	HUB ASSY F.2-3/4" HUB 5/8"STUD
10606503	1	HUB ASSY.NAV550/800/1000 HC
10606703	1	NUT HEX NF 5/8" FLANGED F.STUD
10629303	1	PIN, COTTER 7/32" X 1.75" LONG
16108403	1	REINFORCEMENT RING 8-8-6 HUB FOR NON-REINFORCED 3/8" RIMS ONLY
45000003	1	STUD BOLT 5/8" X 2-1/2"
46000703	1	NUT TAPERED LUG 5/8-18
47000703	1	WASHER, SPNDL 1.1" 1.06x2 .19T



*28050103 - COMPLETE HUB ASSEMBLY

COMPLETE ASSEMBLIES
WHOLEGOODS ITEMS

F440



HUB ASSY F. 3" SPINDLE CM750
F440-HIN, 08:06:10

Page 1

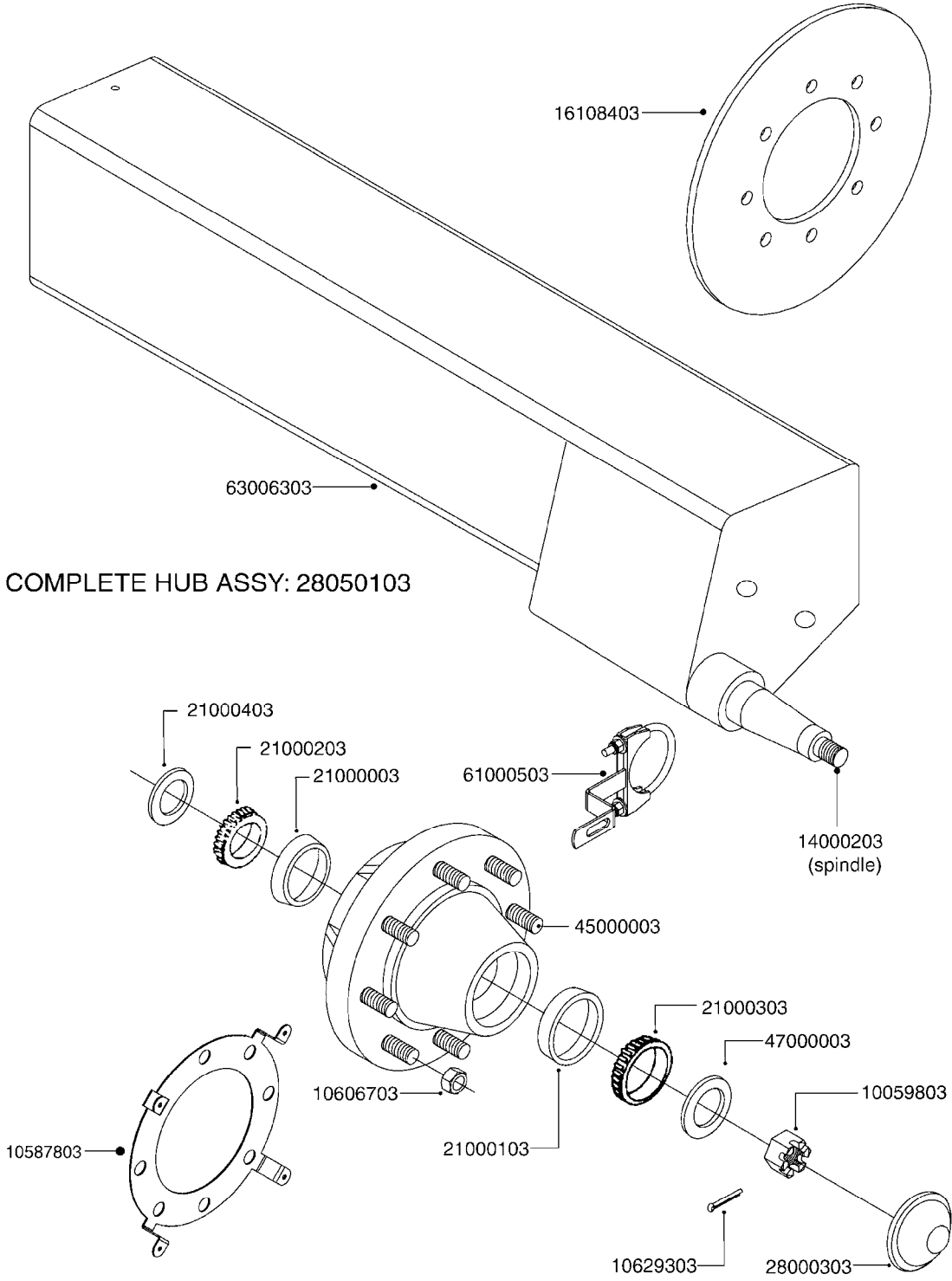
Date 19.03.2013 9:52

parts-n°	order qty	description
420582	1	BOLT HEX 8.8 DEL M8X20 FT
460143	1	NUT HEX M8 LOCK
10059803	1	NUT HEX NF 1"
10587803	1	MAG MNT F. SPEED SNS 8 BOLT
10606703	1	NUT HEX NF 5/8" FLANGED F.STUD
10629303	1	PIN, COTTER 7/32" X 1.75" LONG
14000203	1	SPINDLE 3" X 16" W/NUT &WASHER
16108403	1	REINFORCEMENT RING 8-8-6 HUB FOR NON-REINFORCED 3/8" RIMS ONLY
21000003	1	BEARING INNER CUP #382A
21000103	1	BEARING OUTER CUP #LM501310
21000203	1	BEARING INNER CONE #387AS
21000303	1	BEARING OUTER CONE #LM501349
21000403	1	SEAL GREASE #CR29968
28000303	1	DUST CAP #1609
28050103	1	HUB F 3" 758 7500# PACKAGE
45000003	1	STUD BOLT 5/8" X 2-1/2"
47000003	1	WASHER SPNDL 3" 1.12X2.1 .25TK
61000503	1	SPEED SNS MNT CLAMP - 3"
63000703	1	AXLE INSERT W/M CM750



HUB ASSY 3" SPINDLE NAV 575
F441-HIN, 19:06:10

Page 0
Date 19.03.2013 9:52



F441

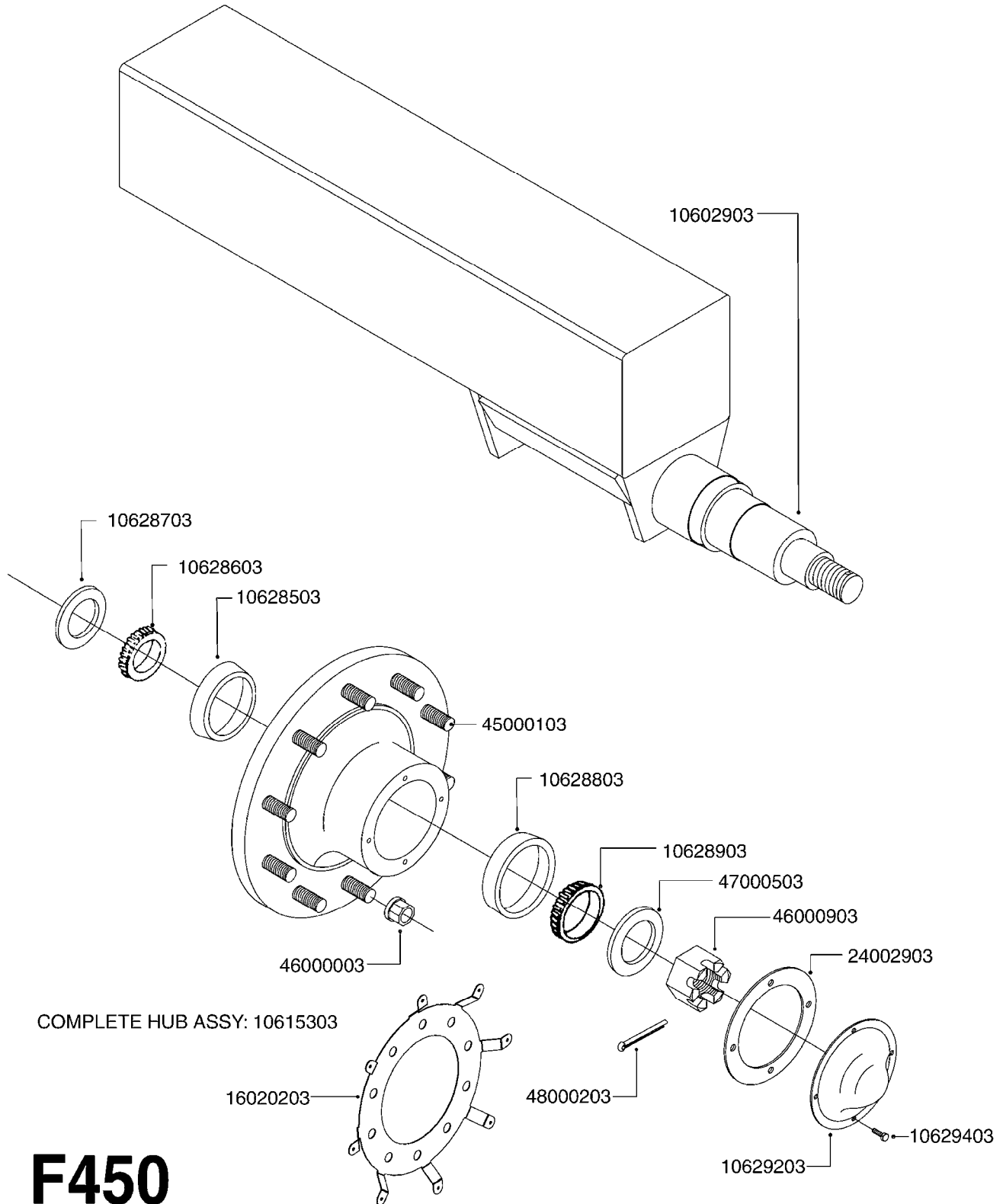


HUB ASSY 3" SPINDLE NAV 575
F441-HIN, 19:06:10

Page 1

Date 19.03.2013 9:52

parts-n°	order qty	description
10059803	1	NUT HEX NF 1"
10587803	1	MAG MNT F. SPEED SNS 8 BOLT
10606703	1	NUT HEX NF 5/8" FLANGED F.STUD
10629303	1	PIN, COTTER 7/32" X 1.75" LONG
14000203	1	SPINDLE 3" X 16" W/NUT &WASHER
16108403	1	REINFORCEMENT RING 8-8-6 HUB FOR NON-REINFORCED 3/8" RIMS ONLY
21000003	1	BEARING INNER CUP #382A
21000103	1	BEARING OUTER CUP #LM501310
21000203	1	BEARING INNER CONE #387AS
21000303	1	BEARING OUTER CONE #LM501349
21000403	1	SEAL GREASE #CR29968
28000303	1	DUST CAP #1609
28050103	1	HUB F 3" 758 7500# PACKAGE
45000003	1	STUD BOLT 5/8" X 2-1/2"
47000003	1	WASHER SPNDL 3" 1.12X2.1 .25TK
61000503	1	SPEED SNS MNT CLAMP - 3"
63006303	1	AXLE INSERT W/M SUS. 575 NAV



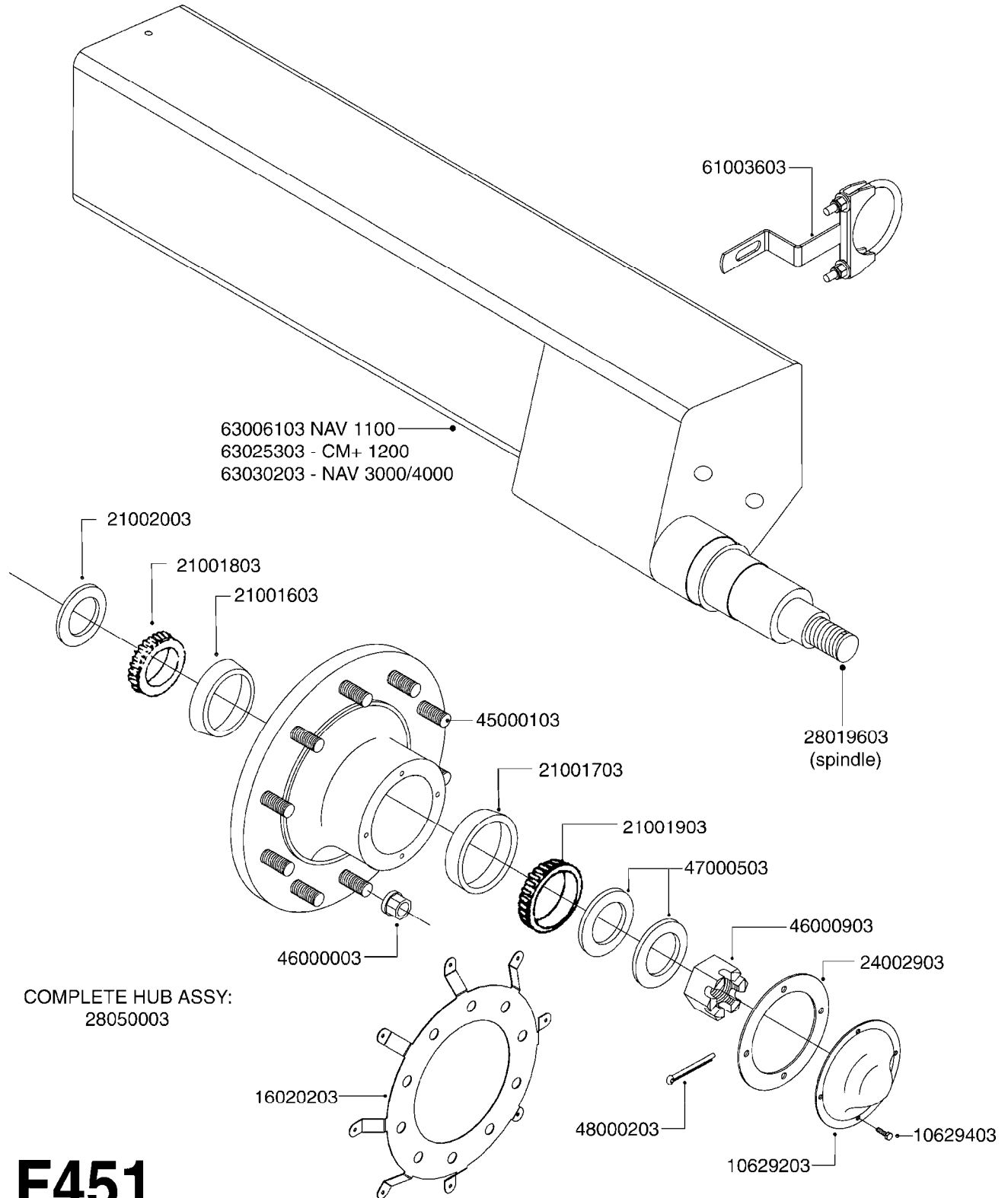


HUB ASSEMBLY F.3-1/8" SPINDLE
F450-HIN, 19:06:10

Page 1

Date 19.03.2013 9:52

parts-n°	order qty	description
10602903	1	SPINDLE 3-1/8" WILTON 2813180
10615303	1	HUB ASSY.F.3-1/8" SPINDLE COMP
10628503	1	BEARING INNER CUP A39520
10628603	1	BEARING INNER CONE A39585
10628703	1	SEAL OIL 3.0" X 4.5" X .438"
10628803	1	BEARING OUTER CUP #453A
10628903	1	BEARING INNER CONE A460
10629203	1	DUST CAP F.10 BOLT HUB 3.5"
10629403	1	BOLT HEX 5/16 NC GR.2 00.50"
16020203	1	WHEEL SENSOR MAGNET MNT 10BLT
24002903	1	GASKET F. HUB 3.5" HUB ASSY
45000103	1	BOLT, WHEEL STUD 3/4-16X2 3/4
46000003	1	NUT HEX NF 3/4" FLANGED F.HUB
46000903	1	NUT CSTL 1-1/4"NF 3-1/2" SPNDL
47000503	1	WASHER, SPNDL 3.5" 1.31x3 .16T
48000203	1	PIN, COTTER 7/32" X 3.00"



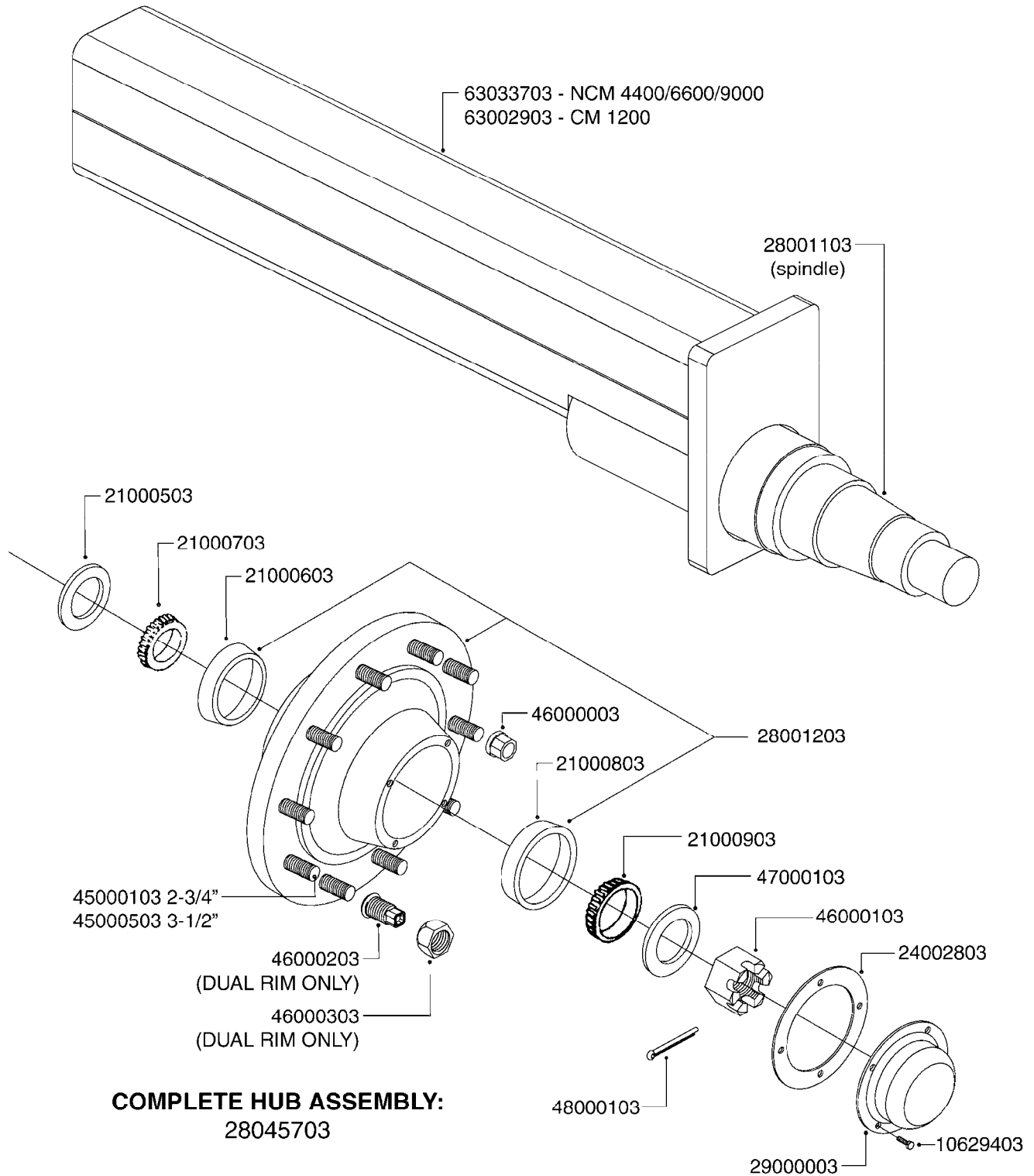
F451



HUB ASSEMBLY F.3-1/2" SPINDLE
F451-HIN, 09:12:09

Page 1
Date 19.03.2013 9:52

parts-n°	order qty	description
10629203	1	DUST CAP F.10 BOLT HUB 3.5"
10629403	1	BOLT HEX 5/16 NC GR.2 00.50"
16020203	1	WHEEL SENSOR MAGNET MNT 10BLT
21001603	1	BEARING INN CUP 873 HUB 33462
21001703	1	BEARING OUT CUP 873 HUB 453A
21001803	1	BEARING INN CONE 873 HUB 33275
21001903	1	BEARING OUT CONE 873 HUB 460
21002003	1	SEAL GREASE P602127
24002903	1	GASKET F. HUB 3.5" HUB ASSY
28019603	1	SPINDLE, 3.50 X 17.375 CRS
28050003	1	HUB F 3.5" 873 15000# PACKAGE
45000103	1	BOLT, WHEEL STUD 3/4-16X2 3/4
46000003	1	NUT HEX NF 3/4" FLANGED F.HUB
46000903	1	NUT CSTL 1-1/4"NF 3-1/2" SPNDL
47000503	1	WASHER, SPNDL 3.5" 1.31x3 .16T
48000203	1	PIN, COTTER 7/32" X 3.00"
61003603	1	SPEED SNS MNT CLAMP 3.5" SP
63006103	1	AXLE INSERT W/M NAV. 1100
63025303	1	AXLE INSRT CM+1200W.SPDL 71-82
63030203	1	AXLE ADJ 60-120 INSERT NAV DBL



COMPLETE HUB ASSEMBLY:
28045703

COMPLETE ASSEMBLIES
WHOLEGOODS ITEMS

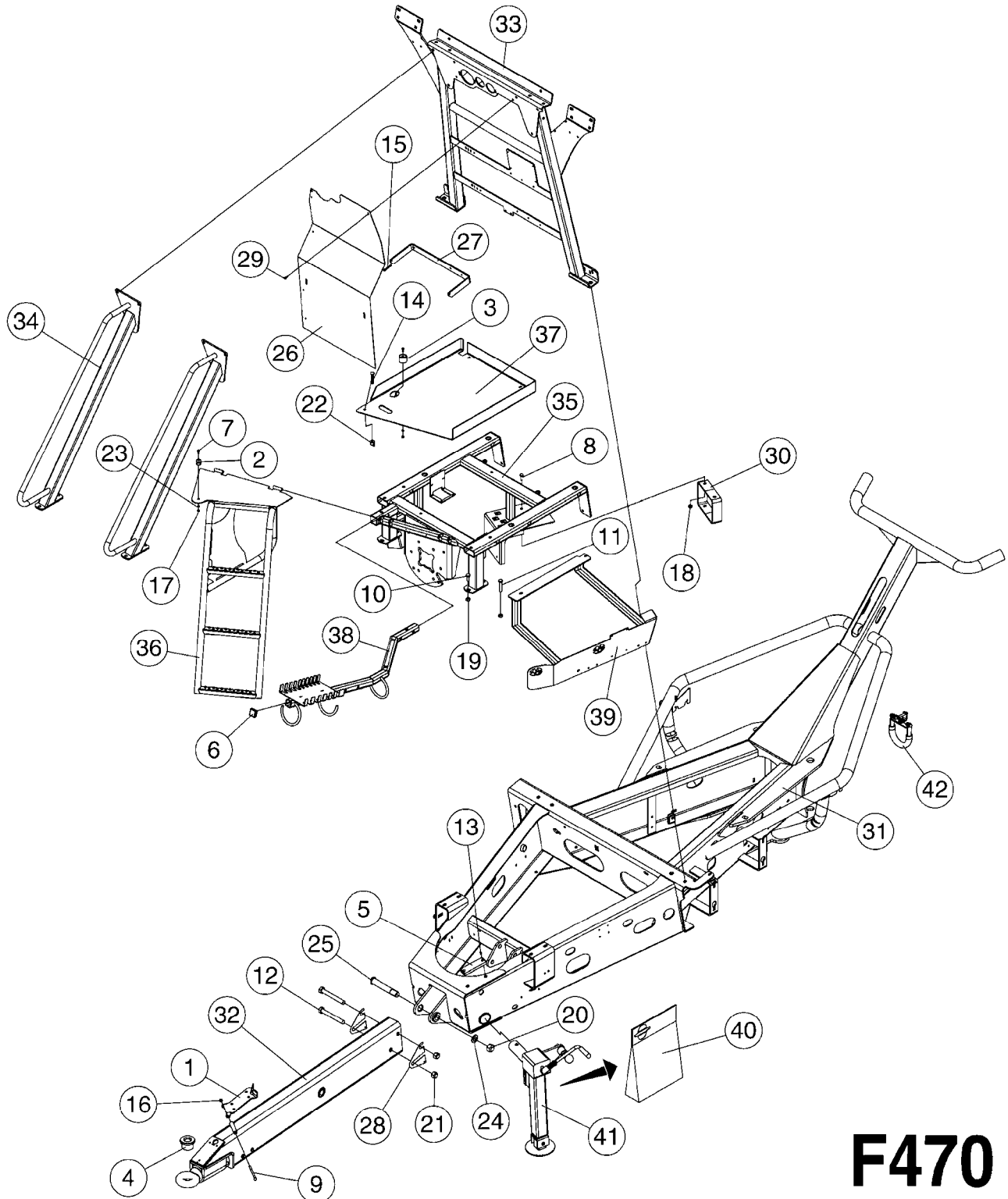
F460



HUB ASSEMBLE F.4-1/2" SPINDLE
F460-HIN, 07:10:10

Page 1
Date 19.03.2013 9:52

parts-n°	order qty	description
10629403	1	BOLT HEX 5/16 NC GR.2 00.50"
21000503	1	SEAL,WHEEL CR43771
21000603	1	RACE, BEARING 3.5/1.5
21000703	1	BEARING, TAPPERED 3.5433/1.575
21000803	1	RACE, TAPERED BEARING
21000903	1	BEARING, TAPPERED, 2.75/1.510
24002803	1	GASKET F. HUB 4.5" HUB ASSY
28001103	1	SPINDLE 4.5"x 21" 20000LB
28001203	1	HUB, 20000LB W. BRG RACES
28045703	1	HUB ASSY 10-13.19-11.02 25000#
29000003	1	HUB CAP F. 881(20000LB) HUB
45000103	1	BOLT, WHEEL STUD 3/4-16X2 3/4
45000503	1	BOLT, WHEEL STUD 3/4-16X3 1/2
46000003	1	NUT HEX NF 3/4" FLANGED F.HUB
46000103	1	NUT, CASTLE, SPINDLE 2-12 UNF
46000203	1	NUT, BUD WHEEL, INNER, RH
46000303	1	NUT, BUD WHEEL, OUTER, RH
47000103	1	WASHER, SPNDL 4.5" 2.06x4 .25T
48000103	1	PIN, COTTER 5/16" X 5.25"
63002903	1	AXLE INSERT,72"-90"SUS CM 1200
63033703	1	AXLE INSERT NCM 44/66/9000

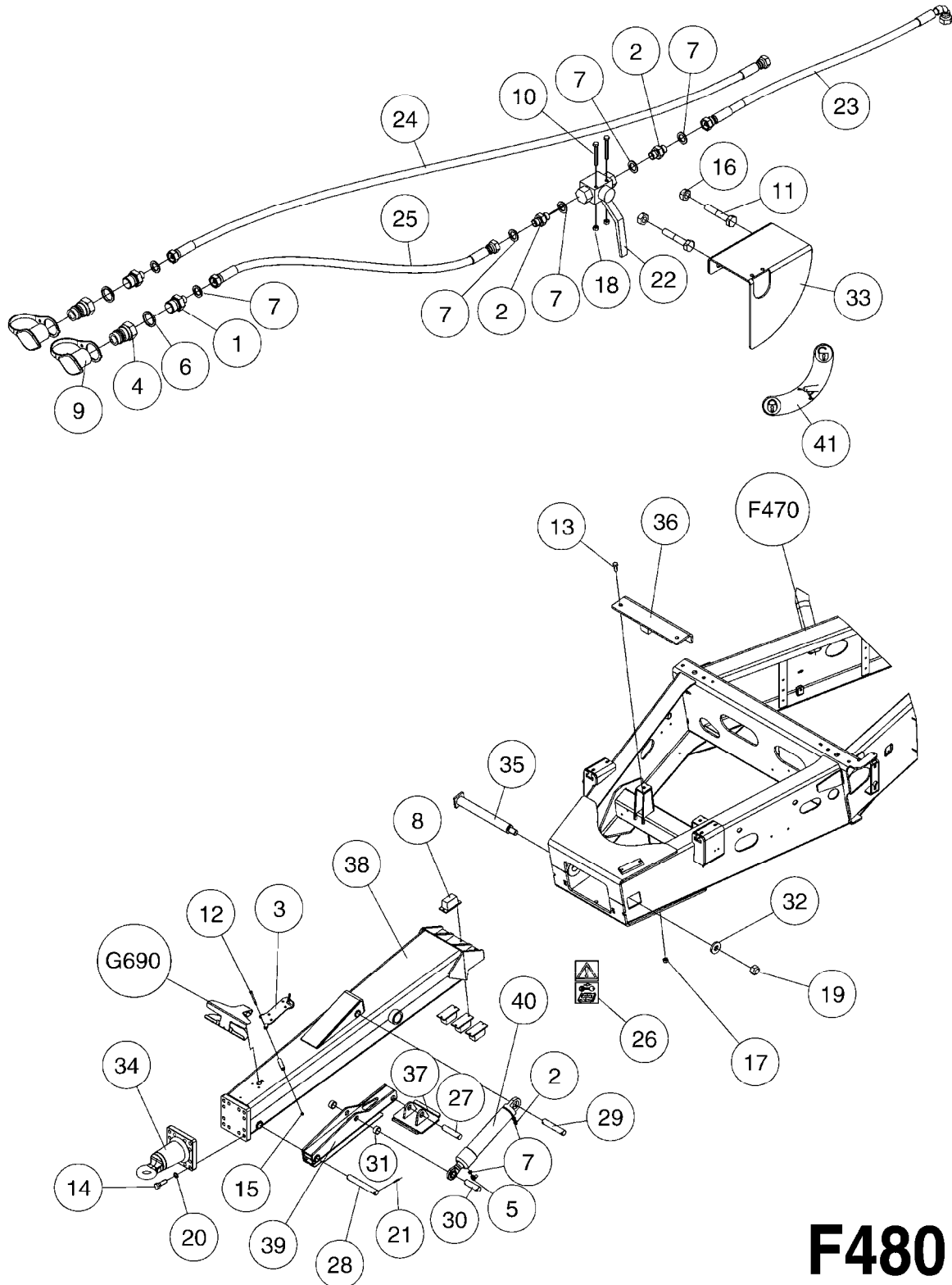


F470



FRAME - NCM 4400/6600
F470-HIN, 15:05:12

Pos.	parts-n°	order qty	description
1	161923	1	SUPPORT PLATE F. PTO CM+
2	242567	1	DOOR STOP, MALE
3	242568	1	DOOR STOP, FEMALE
4	14011603	1	BUSHING F. DRAWBAR NCM 1.5"
4	270608	1	BUSHING F. DRAWBAR NCM Ø50/Ø33
5	334135	1	SLIDE SHOE 140X45X15
6	334571	1	PLUG 40X40X2 F.SQ.TUBE
7	410185	1	BOLT HEX 8.8 DEL M6X16
8	421002	1	BOLT HEX 8.8 DEL M10X30 FT
9	421232	1	BOLT HEX 8.8 DEL M8X110
10	430286	1	BOLT HEX 8.8 DEL M12X30 FT
11	430438	1	BOLT HEX 8.8 DEL M12X65
12	430886	1	BOLT HEX 8.8 DEL M20X160
13	440708	1	SCREW M5.5X16 SELF TAPPING SS
14	440718	1	BOLT CRG M10 X 65 DEL
15	450402	1	BOLT HEX M6X50
16	460143	1	NUT HEX M8 LOCK
17	460261	1	NUT HEX M6X1 LOCK
18	460423	1	NUT HEX M10X1.5 LOCK
19	460703	1	NUT HEX M12X1.75 LOCK
20	460747	1	NUT HEX M24 LOCK
21	460806	1	NUT HEX M20X2.5 LOCK
22	461324	1	NUT WING M10 STAINLESS STEEL
23	471125	1	WASHER D12/D6.4x1.6 SS
24	471130	1	WASHER D44.0/D25.0X4.0 SS
25	14033300	1	PIN D30.0 F. DRAWBAR NCM
26	16128300	1	COVER F. EL-BOX. NCM 4400
26	16156000	1	COVER F. EL-BOX. NCM 6600
27	16128600	1	BRACKET F. COVER PLATE NCM
28	16144700	1	SHIM F. DRAWBAR NCM4400
29	45001500	1	SCREW THUMB PLASTIC HEAD M6x20
30	61018703	1	BRKT, ACE 650, COMMANDER MOUNT BRACKET FOR ACE 650 PUMP
31	63033300	1	FRAME NCM 4400 PAINTED
31	63043300	1	FRAME NCM 6600 PAINTED
32	63033500	1	DRAWBAR SWIVEL D50 NCM 4400
33	63033600	1	TRANSPORT FRAME NCM 4400
33	63043600	1	TRANSPORT FRAME NCM 6600
34	63033700	1	HANDRAIL FOR PLATFORM PAINTED
35	63034100	1	MOUNT PLATFORM NCM 4400
35	63043700	1	MOUNT PLATFORM NCM 6600
36	63035700	1	STEP FOR NCM 4400/6600
37	63035800	1	DECKPLATE F.PLATFORM NCM 4400
37	63043800	1	DECKPLATE F.PLATFORM NCM 6600
38	63038700	1	HOSE & CABLE SUPPORT NCM
39	63040500	1	VALVE CONSOLE PAINTED
40	72280700	1	REPAIR KIT F.JACK STAND
41	72280900	1	JACK STAND F. NCM4400 COMP.
42	72321200	1	SWIVEL HOSE GUARD NCM 4400
42	72372400	1	SWIVEL HOSE GUARD NCM 6600



F480

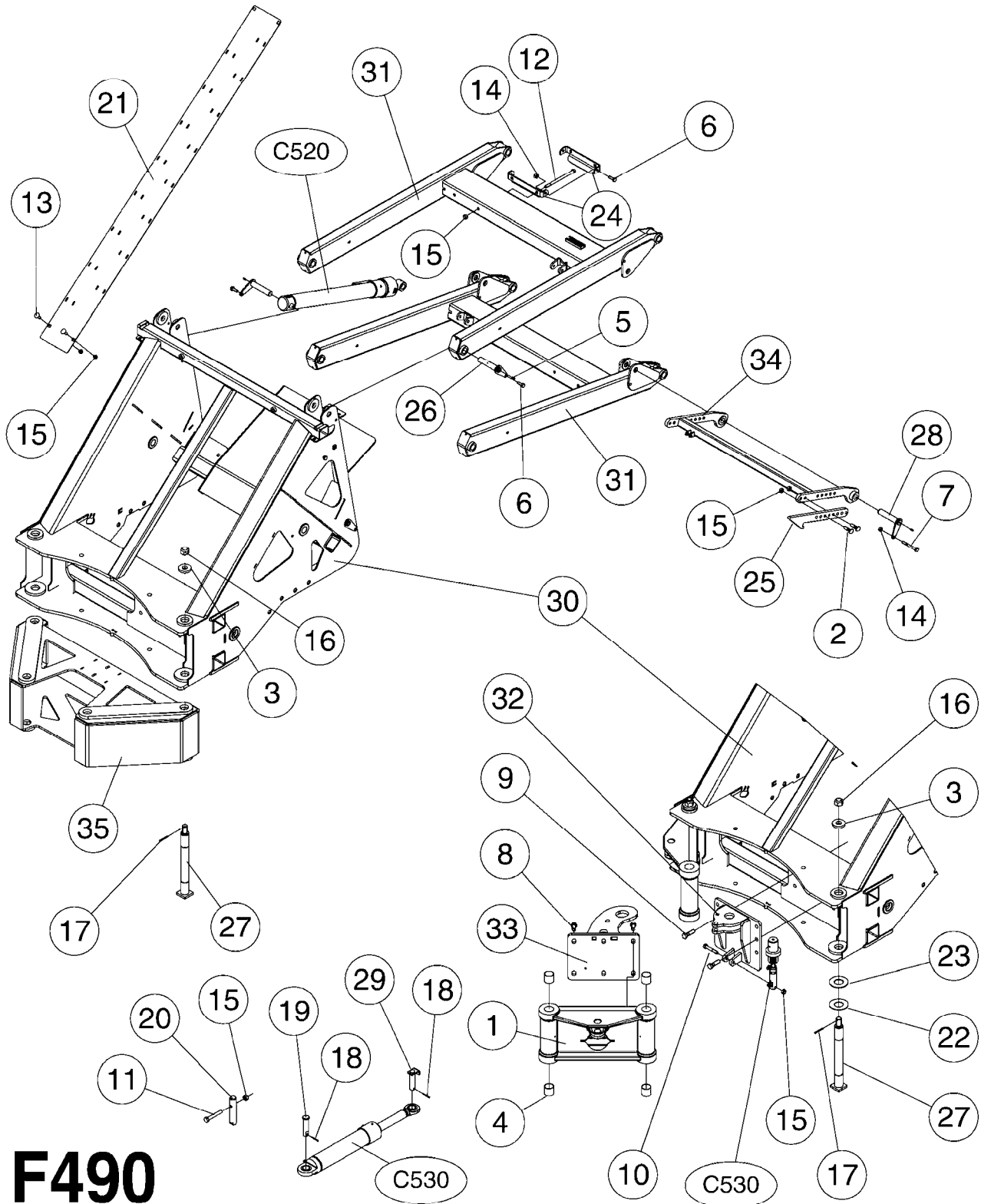


HYD. DRAWBAR - NCM 6600
F480-HIN, 16:11:09

Page 1

Date 19.03.2013 9:52

Pos.	parts-n°	order qty	description
1	146846	1	HEX NIPPLE 1/2" X 1/4"
2	146851	1	HEX NIPPLE 1/4"x1/4" 0.7MM
3	161923	1	SUPPORT PLATE F. PTO CM+
4	230311	1	QUICK COUPLING 1/2"
5	232294	1	HYD.FITTING 1/4"X1/4"
6	241356	1	DOWTYSEAL 1/2"
7	241404	1	DOWTYSEAL 1/4"
8	242587	1	RUBBER SUS. ELEMENT 66 DRAWBAR
9	334206	1	DUST HOOD FOR HY-COUPLING
10	421142	1	BOLT HEX 8.8 DEL M5X40
11	421224	1	BOLT HEX 8.8 DEL M10X55
12	421232	1	BOLT HEX 8.8 DEL M8X110
13	430581	1	BOLT HEX 8.8 DEL M16X40 FT
14	430981	1	BOLT HEX M20X65 DIN931-8.8 DEL
15	460143	1	NUT HEX M8 LOCK
16	460423	1	NUT HEX M10X1.5 LOCK
17	460585	1	NUT HEX M16X2 LOCK
18	461217	1	NUT HEX M5 LOCK
19	461316	1	NUT HEX LOCK M30X3.5
20	471180	1	LOCK WASHER NORDLOCK M20 ELZ
21	480733	1	PIN D6 X 40
22	781049	1	HYD. BALL VALVE
23	784001	1	HOSE HY X 1/4 X 067.00"STR+ELB
24	784143	1	HOSE HY X 1/4 X 138" STR+STR
25	784161	1	HOSE HY X 1/4 X 59" STR+STR
26	978436	1	DECAL - WARNING! SERVICE
27	14047100	1	PIN D30.0 L= 132 /D6.0
28	14047200	1	PIN D30.0 L= 223 /D6.0
29	14047300	1	PIN D30.0 L= 161 /D6.0
30	14047400	1	PIN D30.0 L= 104 /D6.0
31	15073000	1	THREADED PIPE 1-1/4" L=20
32	16155900	1	DISC D70.0/ 31.0X10.0/RED
33	16160000	1	PLATE F. HYD. VALVE CM66/9000
34	28061000	1	SWIVEL HITCH D50/12 BOLT
35	61037800	1	PIN F. STEERING 6600
36	61038500	1	BRACKET FOR DRAWBAR NCM 6600
37	61039700	1	FOOT F. HYD. JACK NCM6600
38	63043900	1	DRAWBAR ADJUSTABLE CM6600
39	63045400	1	SUPPORT LEG HYD. JACK 6600
40	78123300	1	DBL CYL D70/40-320 AIR INLET L
41	97814500	1	DECAL JACK STAND LOCK VALVE



F490



Pos.	parts-n°	order qty	description
1	111708	1	STEER ARM NCM 4400 PAINTED RED
1	111710	1	STEERING ARM NCM 6600
2	140225	1	BOLT SPECIAL F.PARALIFT M12x50
3	147454	1	WASHER D60/D25X10
3	16155900	1	NCM 4400 DISC D70.0/ 31.0X10.0/RED
4	210776	1	NCM 6600 BUSHING F.TWIN STEERING ARM
4	210865	1	NCM 4400 BUSHING 40mm40mm DU
5	283699	1	GREASE NIPPLE M6X1
6	421002	1	BOLT HEX 8.8 DEL M10X30 FT
7	421218	1	BOLT HEX 8.8 DEL M10X90
8	430684	1	BOLT HEX 8.8 DEL M16X30 FT
8	45001800	1	NCM 4400 CYL. SCR.M20X45 DIN912 12.9 DE
9	430765	1	NCM 6600 BOLT HEX 8.8 DEL M16X55
10	430802	1	BOLT HEX 8.8 DEL M12X75
11	430846	1	BOLT HEX 8.8 DEL M12X80
12	430908	1	BOLT HEX 8.8 DEL M12X200
13	451070	1	SQUARE NECK BOLT M12X30
14	460423	1	NUT HEX M10X1.5 LOCK
15	460703	1	NUT HEX M12X1.75 LOCK
16	460747	1	NUT HEX M24 LOCK
16	461316	1	NCM 4400 NUT HEX LOCK M30X3.5
17	480384	1	NCM 6600 PIN COTTER D5X40
18	480502	1	PIN RETAINING M10X50 DIN 1481
19	14033600	1	PIN Ø40/Ø29.8
20	14051400	1	Ø10 L=133 NCM 4400 PIN Ø35.1/Ø12 L=164
21	16121400	1	NCM 6600 SHEET HOSE HOLDER PARALIFT NCM
22	16125200	1	DISC D90/42 X 2 RED
22	16155700	1	NCM 4400 DISC D115/52 X 2 RED
23	16125300	1	NCM 6600 DISC D90/42 X 3 RED
23	16155800	1	NCM 4400 DISC D115/52 X 3 RED
24	16145100	1	NCM 6600 SWIVEL FOR HOSE SUPPORT
25	16166200	1	HOOK F.TRANSF STOP W.HOLING
25	16193500	1	HOOK F.PARALIFT LOCK SHORT NCM
26	61030700	1	PIN Ø25 L=117
27	61033700	1	PIN F. STEERING 4400
27	61037800	1	PIN F. STEERING 6600
28	61035700	1	PIN Ø25 L=125
29	61036400	1	PIN D29.8 L=97
29	61038100	1	NCM 4400 PIN D34.8
30	63033400	1	NCM 6600 REAR FRAME NCM 4400 PAINTED
30	63043400	1	REAR FRAME NCM 6600 PAINTED
31	63034200	1	PARALIFT NCM 4400/6600
32	63036100	1	CONSOLE F. TRAPEZE LOCK CM "05

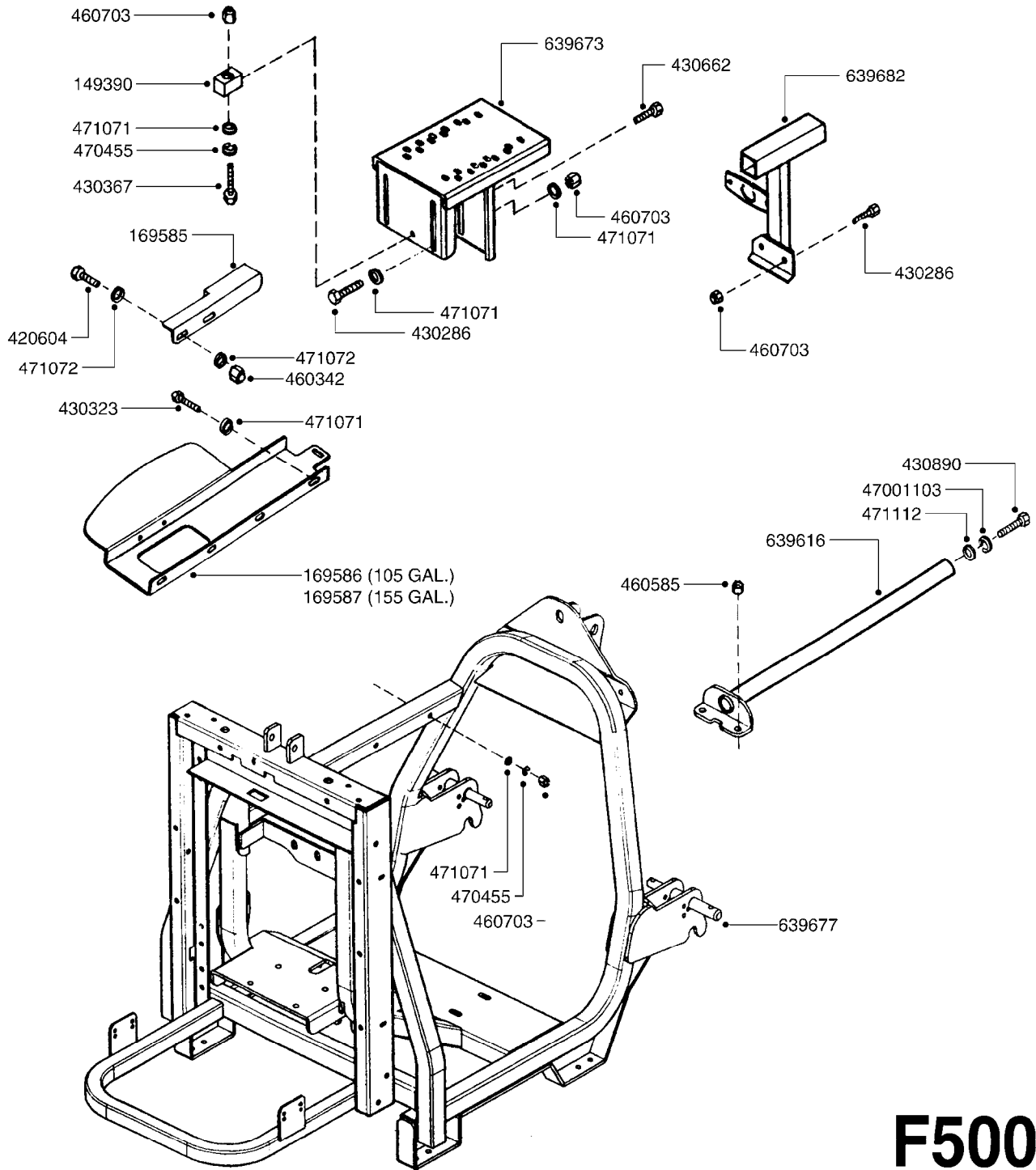


FRAME - REAR W/PARALIFT NCM
F490-HIN, 06:06:12

Page 2

Date 19.03.2013 9:52

Pos.	parts-n°	order qty	description
33	63036200	1	LATCH F. TRAPEZE LOCK CM "05" NCM 4400
33	63044000	1	LATCH F. TRAPEZE LOCK CM6600
34	63037000	1	PARALIFT LOCK ARM NCM
35	63037700	1	MOUNT FOR REAR FRAME NCM 4400
35	63046000	1	MOUNT FOR REAR FRAME NCM 6600



F500

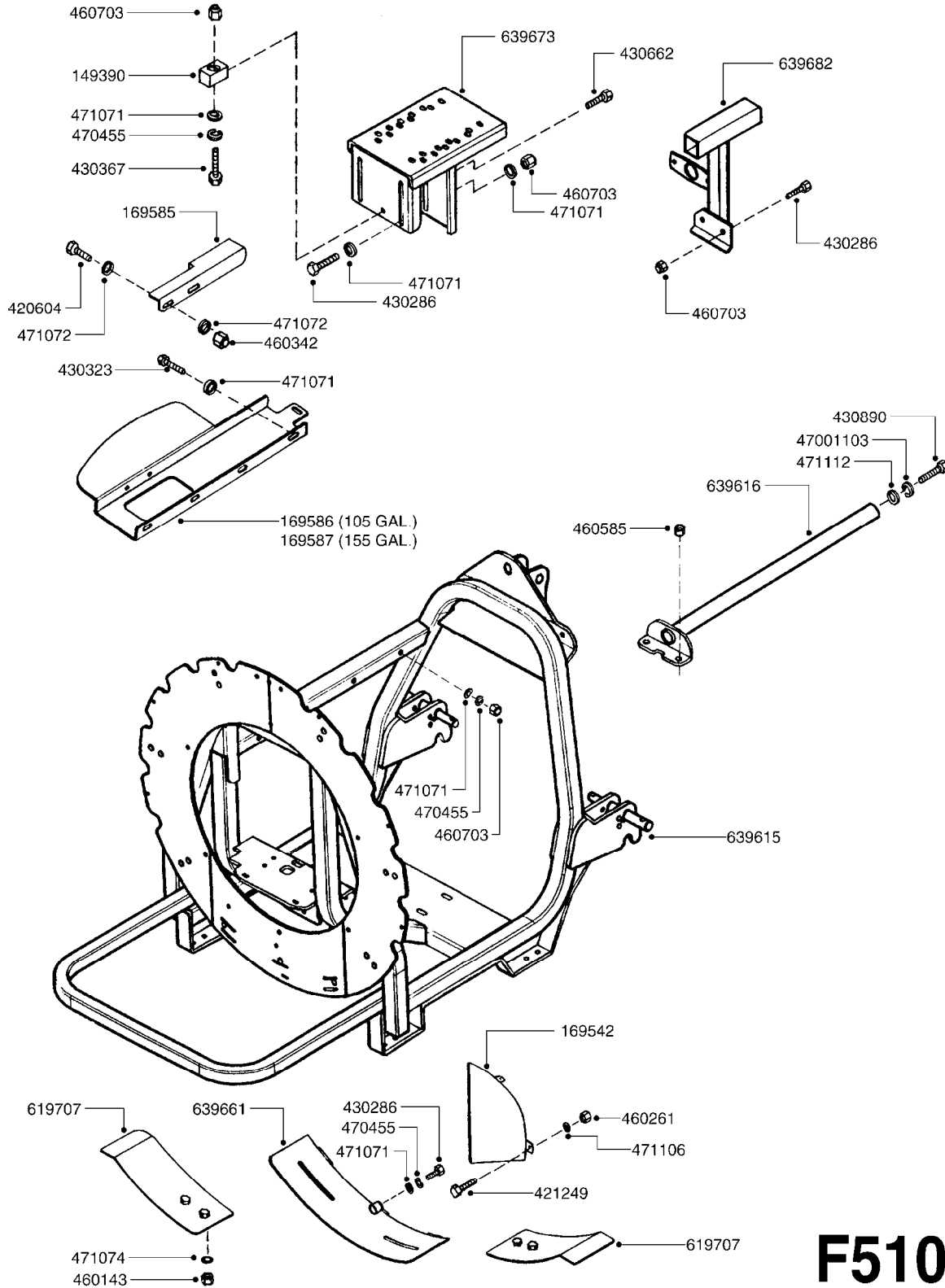


FRAME - ZENIT 105/155 PNEUM.
F500-HIN, 15:06:07

Page 1

Date 19.03.2013 9:52

parts-n°	order qty	description
149390	1	PUMP MT.TENSIONER ZENIT
169585	1	BRACKET F.TANK FIXING ZENIT
169586	1	BRACKET F.TANK ZENIT 105
169587	1	BRACKET F.TANK ZENIT 155
420604	1	BOLT HEX 8.8 DEL M10X25 FT
430286	1	BOLT HEX 8.8 DEL M12X30 FT
430323	1	BOLT HEX 8.8 DEL M12X60
430367	1	BOLT HEX 8.8 DEL M12X100
430662	1	BOLT HEX 8.8 DEL M12X20 FT
430890	1	BOLT HEX 8.8 DEL M20X50
460342	1	NUT HEX M10
460585	1	NUT HEX M16X2 LOCK
460703	1	NUT HEX M12X1.75 LOCK
470455	1	WASHER D12 SPRING
471071	1	WASHER M12 GALV
471072	1	WASHER M10 EL2
471112	1	WASHER D20
639616	1	FRAME SUPPORT BRACKET - ZENIT
639673	1	PUMP MT.BRKT. ZENIT
639677	1	FRAME F.ZENIT 105/155 PNEUM.
639682	1	CONTROL MT.BRACKET ZENIT
47001103	1	WASHER D20.5/D33X4 LOCK



F510

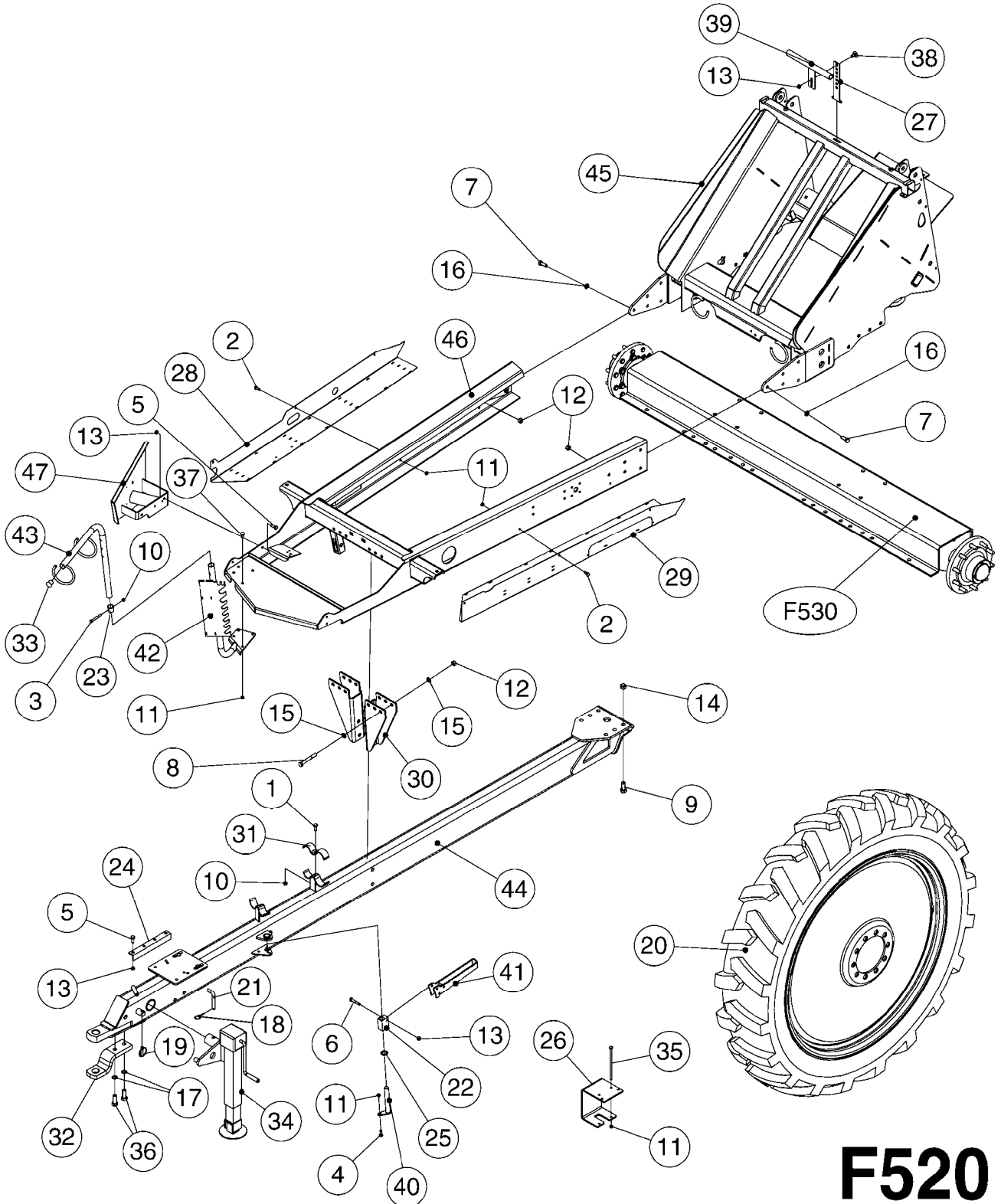


FRAME - ZENIT 105/155 AXIAL
F510-HIN, 14:12:07

Page 1

Date 19.03.2013 9:53

parts-n°	order qty	description
149390	1	PUMP MT.TENSIONER ZENIT
169542	1	BRACKET ZENIT AXIAL
169585	1	BRACKET F.TANK FIXING ZENIT
169586	1	BRACKET F.TANK ZENIT 105
169587	1	BRACKET F.TANK ZENIT 155
420604	1	BOLT HEX 8.8 DEL M10X25 FT
421249	1	BOLT HEX M6X15
430286	1	BOLT HEX 8.8 DEL M12X30 FT
430323	1	BOLT HEX 8.8 DEL M12X60
430367	1	BOLT HEX 8.8 DEL M12X100
430662	1	BOLT HEX 8.8 DEL M12X20 FT
430890	1	BOLT HEX 8.8 DEL M20X50
460143	1	NUT HEX M8 LOCK
460261	1	NUT HEX M6X1 LOCK
460342	1	NUT HEX M10
460585	1	NUT HEX M16X2 LOCK
460703	1	NUT HEX M12X1.75 LOCK
470455	1	WASHER D12 SPRING
471071	1	WASHER M12 GALV
471072	1	WASHER M10 EL2
471074	1	WASHER M8 ELZ
471106	1	WASHER D6
471112	1	WASHER D20
619707	1	BRACKET ZENIT AXIAL
639615	1	FRAME F.ZENIT 105/155 AXIAL
639616	1	FRAME SUPPORT BRACKET - ZENIT
639661	1	BRACKET ZENIT AXIAL
639673	1	PUMP MT.BRKT. ZENIT
639682	1	CONTROL MT.BRACKET ZENIT
47001103	1	WASHER D20.5/D33X4 LOCK





FRAME-NAVIGATOR 3000/3500/4000
F520-HIN, 18:10:12

Page

1

Date

19.03.2013

9:53

Pos.	parts-n°	order qty	description
1	420567	1	BOLT HEX 8.8 DEL M8X30 FT
2	420604	1	BOLT HEX 8.8 DEL M10X25 FT
3	420766	1	BOLT HEX 8.8 DEL M8X45
4	421002	1	BOLT HEX 8.8 DEL M10X30 FT
5	430286	1	BOLT HEX 8.8 DEL M12X30 FT
6	430438	1	BOLT HEX 8.8 DEL M12X65
7	430581	1	BOLT HEX 8.8 DEL M16X40 FT
8	430864	1	BOLT HEX 8.8 DEL M16X120
9	430890	1	BOLT HEX 8.8 DEL M20X50
10	460143	1	NUT HEX M8 LOCK
11	460423	1	NUT HEX M10X1.5 LOCK
12	460585	1	NUT HEX M16X2 LOCK
13	460703	1	NUT HEX M12X1.75 LOCK
14	460806	1	NUT HEX M20X2.5 LOCK
15	471128	1	WASHER D30/D17X3
16	471168	1	WASHER SPECIAL M16 NORDLOCK
17	471180	1	LOCK WASHER NORDLOCK M20 ELZ
18	480244	1	PIN SNAP D4.5
19	480303	1	PIN 7/16 SNAP RING
20	10615703	1	TIRE 320 90R46' RAD.TL 357774
20	10621803	1	TIRE 12.4 X 42' 10 PLY R1
20	28019903	1	RIM 42X10 10B-11.25BC-8.71P
20	28021703	1	RIM 46"Ø-10"W 10B-11.25BC-5.19
20	28061403	1	RIM 46X13,11.25BC,8.7P,-5.190S
20	28061803	1	TIRE, 380/90 R46 156A8 R1
20	70024003	1	WHEEL/TIRE 5 3/160S 320/46 LH
20	70024003	1	WHEEL/TIRE 5 3/160S 320/46 LH
20	70024103	1	WHEEL/TIRE 5 3/160S 320/46 RH
20	70027603	1	TIRE ASSY 12.4X42 10PLY 10B RH
20	70027703	1	TIRE ASSY 12.4X42 10PLY 10B LH
20	70092003	1	WHEEL/TIRE 5 3/160S 380/46 LH
20	70092103	1	WHEEL/TIRE 5 3/160S 380/46 RH
21	14071900	1	LOCKING PAWL D16 L=123
22	14073600	1	50X35X75 BRACKET F.STEP
23	15116700	1	BUSHING NAVIGATOR HOSE HOLDER
24	16116803	1	PLATE, PUMP MOUNT NAVIGATOR ONLY ON FRAMES BUILT BEFORE 9/2008
25	16127500	1	WASHER D40.0/27.0/2.0/RED
26	16159803	1	BRKT, ACE 650, US NAV ACE 650 BRACKET F.LONG DRAWBAR
26	16162103	1	BRKT, ACE 650, DK NAV ACE 650 BRACKET FOR STD. DRAWBAR
27	16198600	1	T FOR REAR NAV TANK MOUNT B
28	16212600	1	CABLE TRAY NAV RIGHT
29	16212800	1	CABLE TRAY NAV RIGHT
30	16214300	1	BRACKET ANGLE DRAWBAR TO FRAME
31	16216500	1	CLAMP, PUMP HOSES NAVIGATOR
32	16391700	1	FLATBAR F. CLEVIS, PAINTED
33	28046400	1	PIPE PLUG Ø25/1.0-2.0, BLACK
34	28082600	1	SUPPORT LEG F. NAV, CM+3000KG
35	42000103	1	BOLT HEX 8.8 DEL M10X230
36	43000803	1	BOLT HEX M20 X 70MM DEL - FT
37	44074300	1	BOLT CARRIAGE M10x30 SS
38	45001300	1	CARRIAGE BOLT M12X35 DIN603 A2
39	61044000	1	T FOR REAR NAV TANK MOUNT A
40	61045600	1	PIN D24.8 L=177
41	61050100	1	PAINTED STEP F.NAV
42	61053300	1	HOSE HOLDER LOWER NAVIGATOR
43	61053400	1	HOSE HOLDER UPPER NAVIGATOR

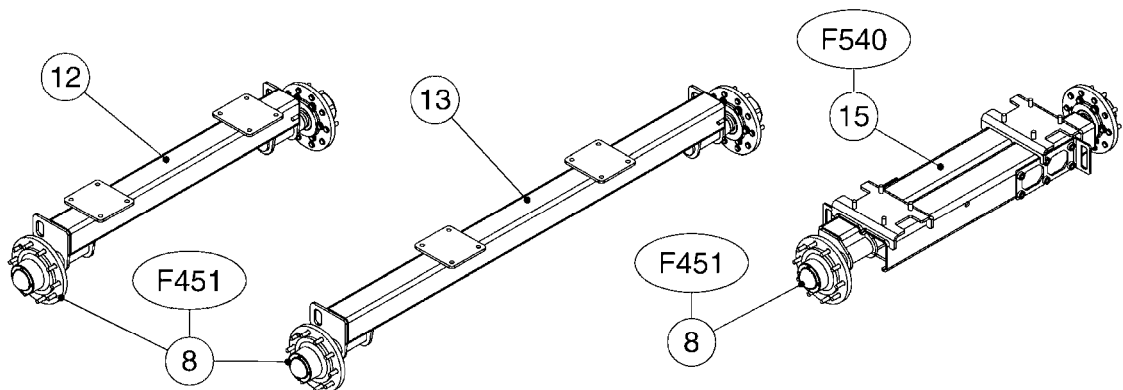


FRAME-NAVIGATOR 3000/3500/4000
F520-HIN, 18:10:12

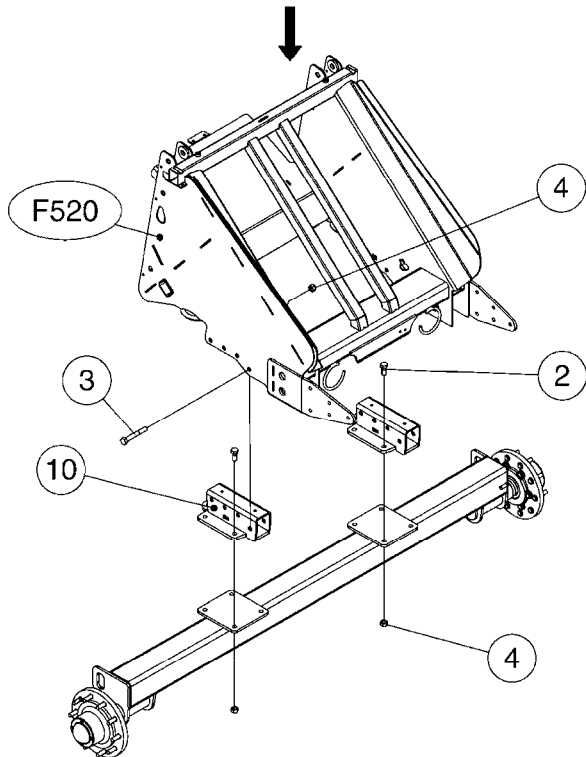
Page 2

Date 19.03.2013 9:53

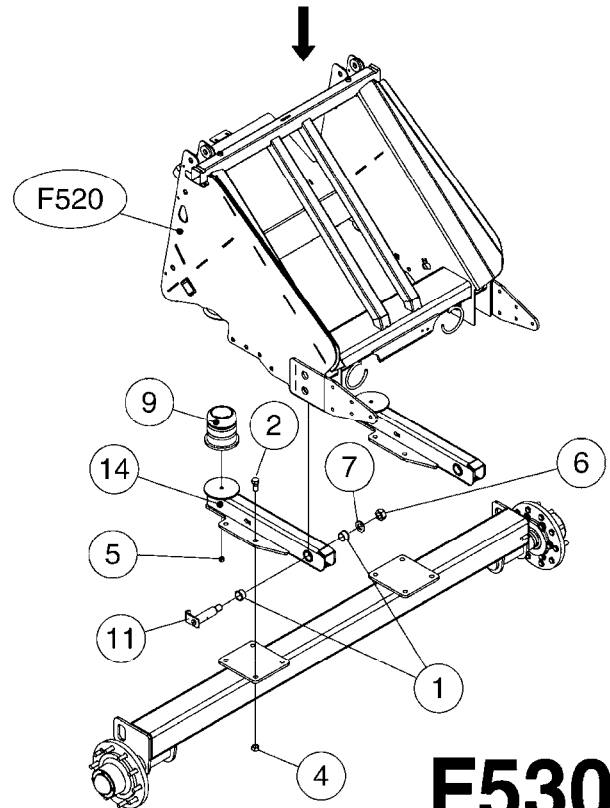
Pos.	parts-n°	order qty	description
44	63036903	1	DRAWBAR FOR NAV-120' SPC LONG DRAWBAR (FOR 120'/90' DUAL FOLD BOOM)
44	63052700	1	DRAWBAR D42 NAVIGATOR RED STANDARD (SHORT) DRAWBAR
45	63057500	1	REAR CHASSIS F.NAV.PAINTED STANDARD (SHORT) DRAWBAR
46	63057700	1	FRAME MID "A" SHAPE NAVIGATOR
47	63068000	1	SHIELD NAV RIGHT JACK MOUNT



NON SUSPENDED
AXLE SYSTEM



SUSPENDED
AXLE SYSTEM



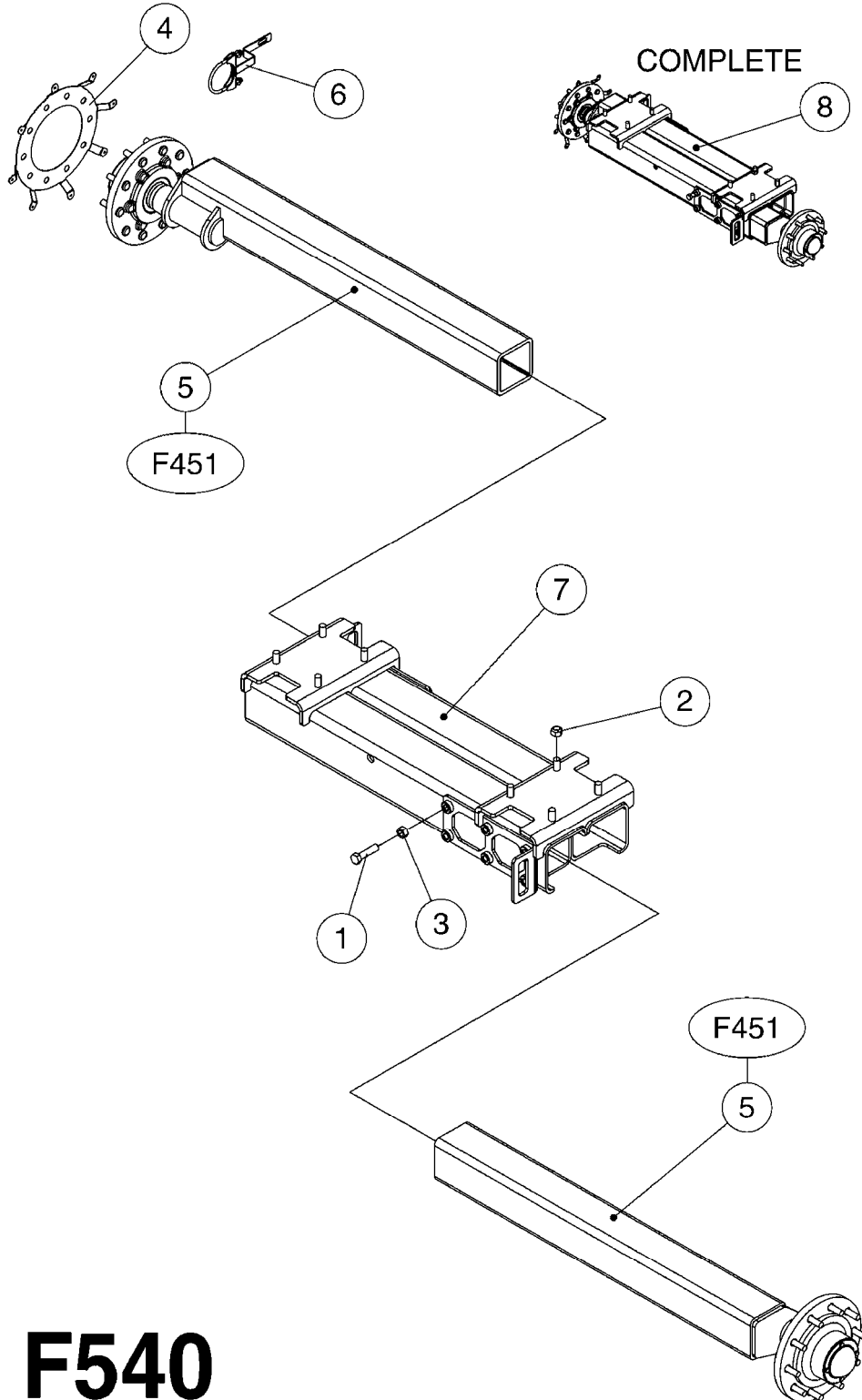
F530



NAVIGATOR SUSPENSION AND AXLES
F530-HIN, 24:03:10

Page 1
Date 19.03.2013 9:53

Pos.	parts-n°	order qty	description
1	210863	1	BUSHING DU FLNG. D40/44 L=26
2	430890	1	BOLT HEX 8.8 DEL M20X50
3	430970	1	BOLT M20 x 120MM
4	460806	1	NUT HEX M20X2.5 LOCK
5	461253	1	NUT HEX M14 NV=22 A4 RST
6	461316	1	NUT HEX LOCK M30X3.5
7	471131	1	WASHER D56.0/D31.0X4.0
8	28050003	1	HUB F 3.5" 873 15000# PACKAGE
9	28076200	1	AXLE BUMPER SHOCK PUR NAVIGATO
10	61044300	1	FIXED AXLE NAV NO SUSPENSION
11	61046700	1	PIN SWING ARM NAV SUSP
12	63034803	1	AXLE NAVIGATOR 60" 2010 AXLE ONLY
12	70079703	1	AXLE FIXED 60" NAVIGATOR 2010 COMPLETE W/HUBS & SPEED SENS.MT.
13	63034903	1	AXLE NAVIGATOR 120" 2010 AXLE ONLY
13	70079803	1	AXLE FIXED 120" NAVIGATOR 2010 COMPLETE W/HUBS & SPEED SENS.MT.
14	63059100	1	SUSPENSION SWINGARM, NAVIGATOR
15	70074703	1	AXLE ADJUSTABLE 60-120 NV DBL



F540

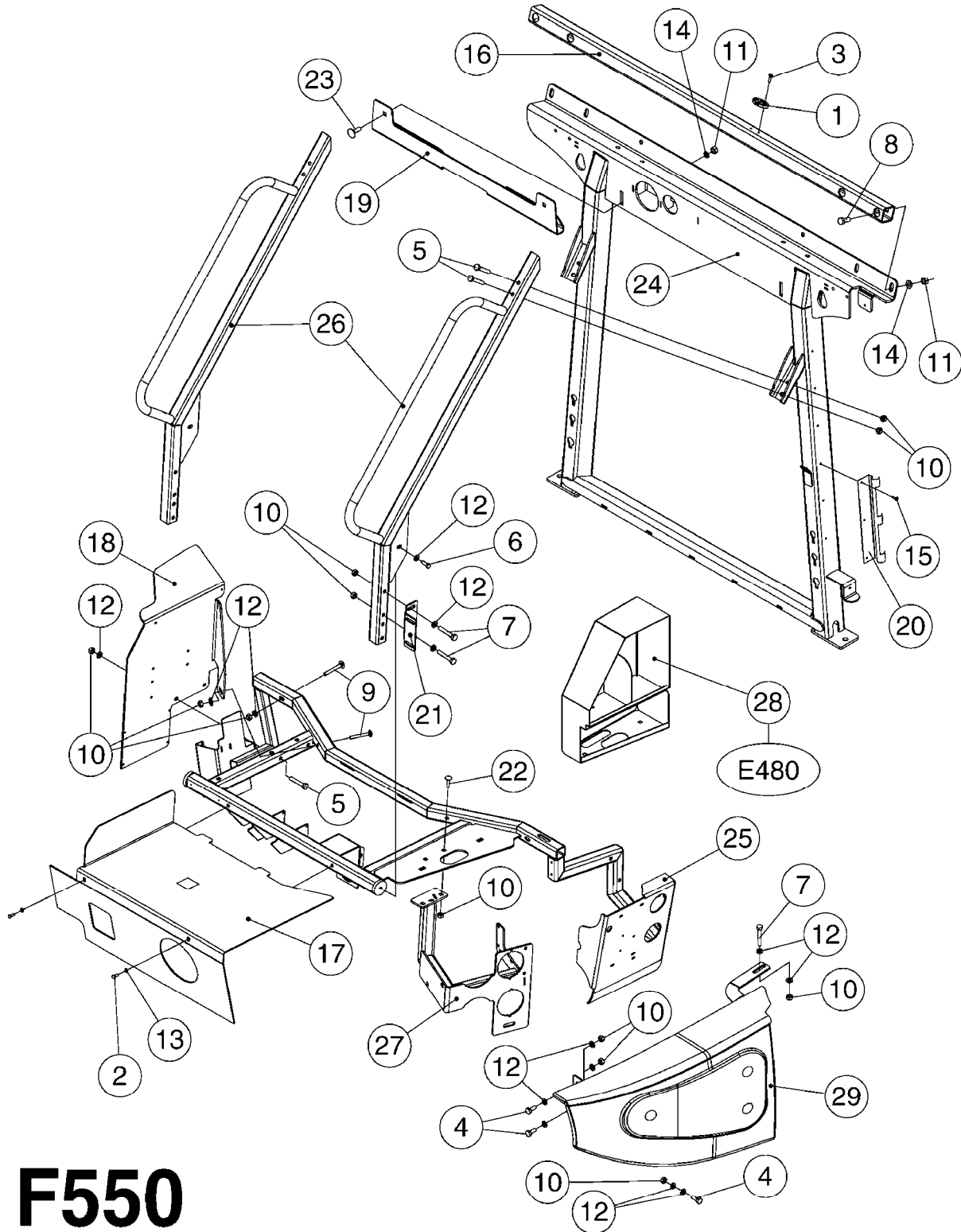


NAV. ADJUSTABLE AXLE 60"-120"
F540-HIN, 13:06:08

Page 1

Date 19.03.2013 9:53

Pos.	parts-n°	order qty	description
1	430920	1	BOLT HEX M20x80MM
2	460806	1	NUT HEX M20X2.5 LOCK
3	461228	1	NUT HEX M20
4	16020203	1	WHEEL SENSOR MAGNET MNT 10BLT
5	28050003	1	HUB F 3.5" 873 15000# PACKAGE
5	63030203	1	AXLE ADJ 60-120 INSERT NAV DBL
6	61003603	1	SPEED SNS MNT CLAMP 3.5" SP
7	63030303	1	AXLE ADJ. 60-120 NAVIGATOR DBL
8	70074703	1	AXLE ADJUSTABLE 60-120 NV DBL



F550



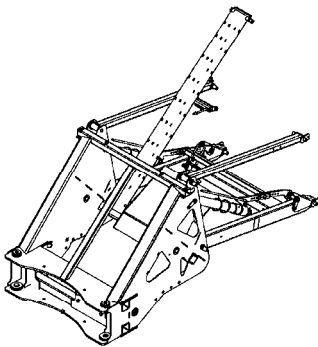
NAVIGATOR 3000/4000 PLATFORM
F550-HIN, 05:12:09

Page 1
Date 19.03.2013 9:53

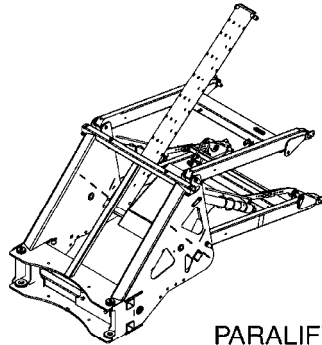
Pos.	parts-n°	order qty	description
1	334469	1	CLEVIS F.CORD TOP DRAIN ASSY.
2	410185	1	BOLT HEX 8.8 DEL M6X16
3	410362	1	BOLT HEX 8.8 DEL M6X20 FT
4	420604	1	BOLT HEX 8.8 DEL M10X25 FT
5	420906	1	BOLT HEX 8.8 DEL M10X60
6	421046	1	BOLT HEX 8.8 DEL M8X25 FT
7	421083	1	BOLT HEX 8.8 DEL M10X65
8	430286	1	BOLT HEX 8.8 DEL M12X30 FT
9	440718	1	BOLT CRG M10 X 65 DEL
10	460423	1	NUT HEX M10X1.5 LOCK
11	460703	1	NUT HEX M12X1.75 LOCK
12	471122	1	WASHER D20/D10.5X2 SS
13	471124	1	WASHER D18/D6.4x1.6
14	471127	1	WASHER D24/D13X2.5 STAINLESS
15	480557	1	BLIND RIVET, D3.2X8.3 SS
16	15104700	1	TUBE 50X50 FRONT XPORT DUMMY
17	16197900	1	DECK PLATE NAVIGATOR
18	16198200	1	PLATE FOR ELECTRONICS-PAINTED
19	16198400	1	TANK STOP FOR NAV. PAINTED
20	16226200	1	BRACKET F.TANK SCALE - PAINTED
21	16229200	1	BRACKET FOR SHIELD - PAINTED
22	44074300	1	BOLT CARRIAGE M10x30 SS
23	45001300	1	CARRIAGE BOLT M12X35 DIN603 A2
24	63058300	1	TRANSPORT FRAME NAV. PAINTED
25	63058500	1	FRAME F.FLUID COMP.-PAINTED
26	63058700	1	PLATFORM HANDRAIL NAV.PAINTED
27	63059900	1	BRACKET MANIFOLD SUCTION NAV08
27	63085200	1	BRACKET MANIFOLD SUCTION NAV09
28	63062300	1	SAFETYLOCKER NAVIGATOR PAINTED
29	63069600	1	LEFT SHIELD NAVIGATOR (2 PIECES WELDED) ONLY USE W/BKT.63059900
29	63085600	1	LEFT SHIELD NAVIGATOR MAY 2009 (SINGLE FORMED PIECE) ONLY USE W/BKT.63085200



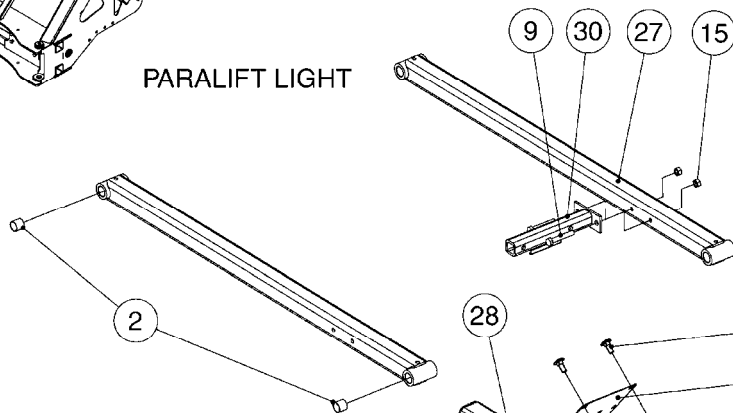
PARALIFT LIGHT



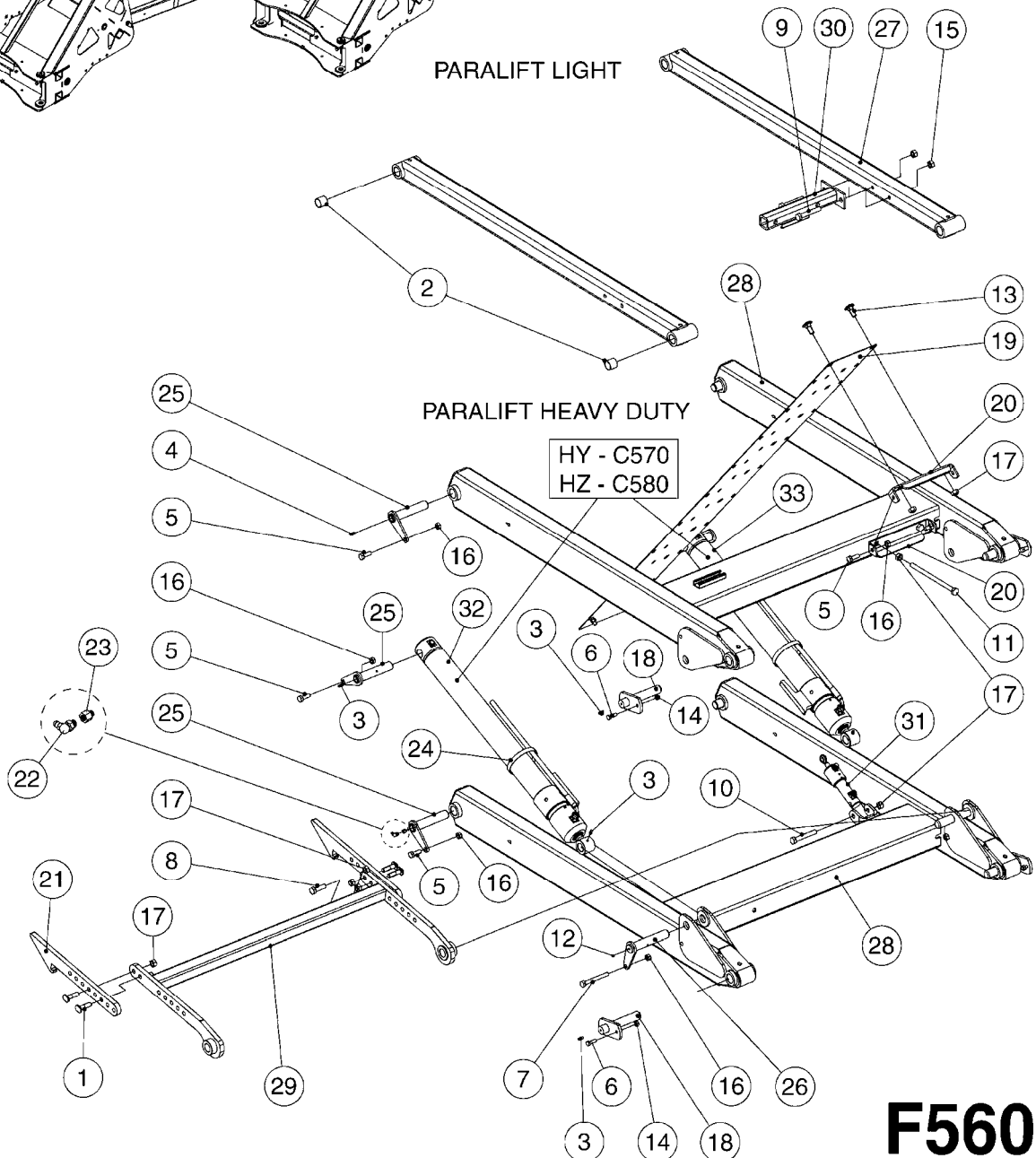
PARALIFT HEAVY DUTY



PARALIFT LIGHT



PARALIFT HEAVY DUTY



F560



NAVIGATOR 3000/4000 PARALIFT
F560-HIN, 08:06:10

Page 1

Date 19.03.2013 9:53

Pos.	parts-n°	order qty	description
1	140225	1	BOLT SPECIAL F.PARALIFT M12x50
2	210835	1	BUSHING D28/25 L=25
3	283699	1	GREASE NIPPLE M6X1
4	283772	1	GREASE NIPPLE H3 M6 X 4
5	421002	1	BOLT HEX 8.8 DEL M10X30 FT
6	421046	1	BOLT HEX 8.8 DEL M8X25 FT
7	421218	1	BOLT HEX 8.8 DEL M10X90
8	430721	1	BOLT HEX 8.8 DEL M12X40 FT
9	430802	1	BOLT HEX 8.8 DEL M12X75
10	430846	1	BOLT HEX 8.8 DEL M12X80
11	430908	1	BOLT HEX 8.8 DEL M12X200
12	450904	1	PIN M6X6 THREADED
13	451070	1	SQUARE NECK BOLT M12X30
14	460143	1	NUT HEX M8 LOCK
15	460386	1	NUT HEX M12X1.75
16	460423	1	NUT HEX M10X1.5 LOCK
17	460703	1	NUT HEX M12X1.75 LOCK
18	615654	1	PIN D25 X 123 F. PARALIFT
19	16121400	1	SHEET HOSE HOLDER PARALIFT NCM
20	16145100	1	SWIVEL FOR HOSE SUPPORT
21	16166200	1	HOOK F. TRANSP STOP W. HOLING
22	23002803	1	FITT, GREASE ZERK 90° 1/4-28
23	23002903	1	FITT, GREASE EXT. 6MM X1/4-28F
24	28025203	1	TIE STRAP L=23" x W=1/2"
25	61030700	1	PIN Ø25 L=117
26	61035700	1	PIN Ø25 L=125
27	63033900	1	PARALIFT ARM UPPER WWT
28	63034200	1	PARALIFT NCM 4400/6600
29	63037000	1	PARALIFT LOCK ARM NCM
30	63037500	1	HOLDER FOR CABLE SUPPORT
31	72531000	1	CYL. D25/12-50/78124200 W/FITT
32	78120600	1	CYLINDER 60/25 X 662 NAV PAR
33	78125500	1	CYLINDER 60/25 X 662 NAV PAR R



DRAWBAR - NCM 9000
F570-HIN, 11:11:09

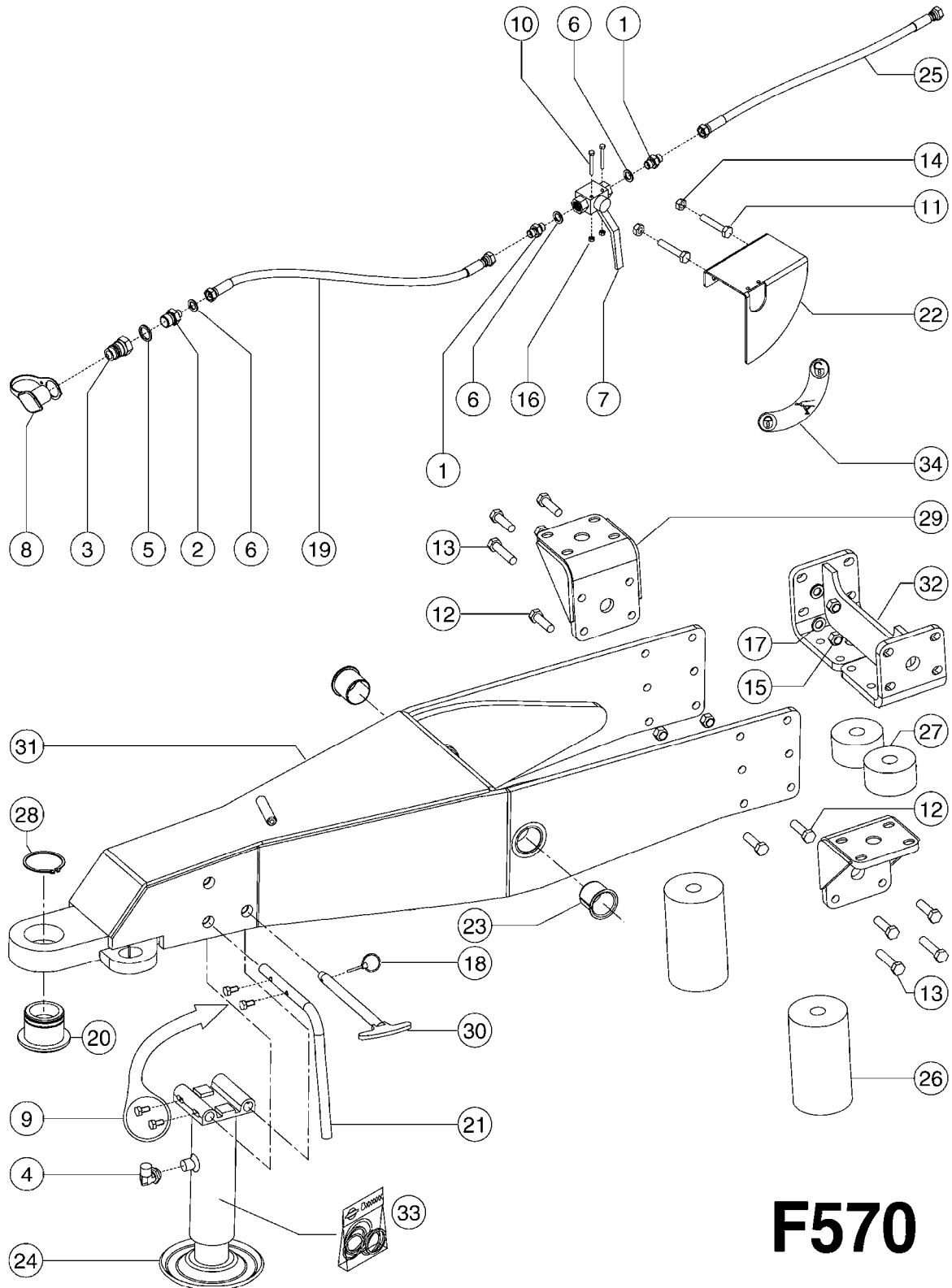
Page

0

Date

19.03.2013

9:53





DRAWBAR - NCM 9000
F570-HIN, 11:11:09

Page 1

Date 19.03.2013 9:53

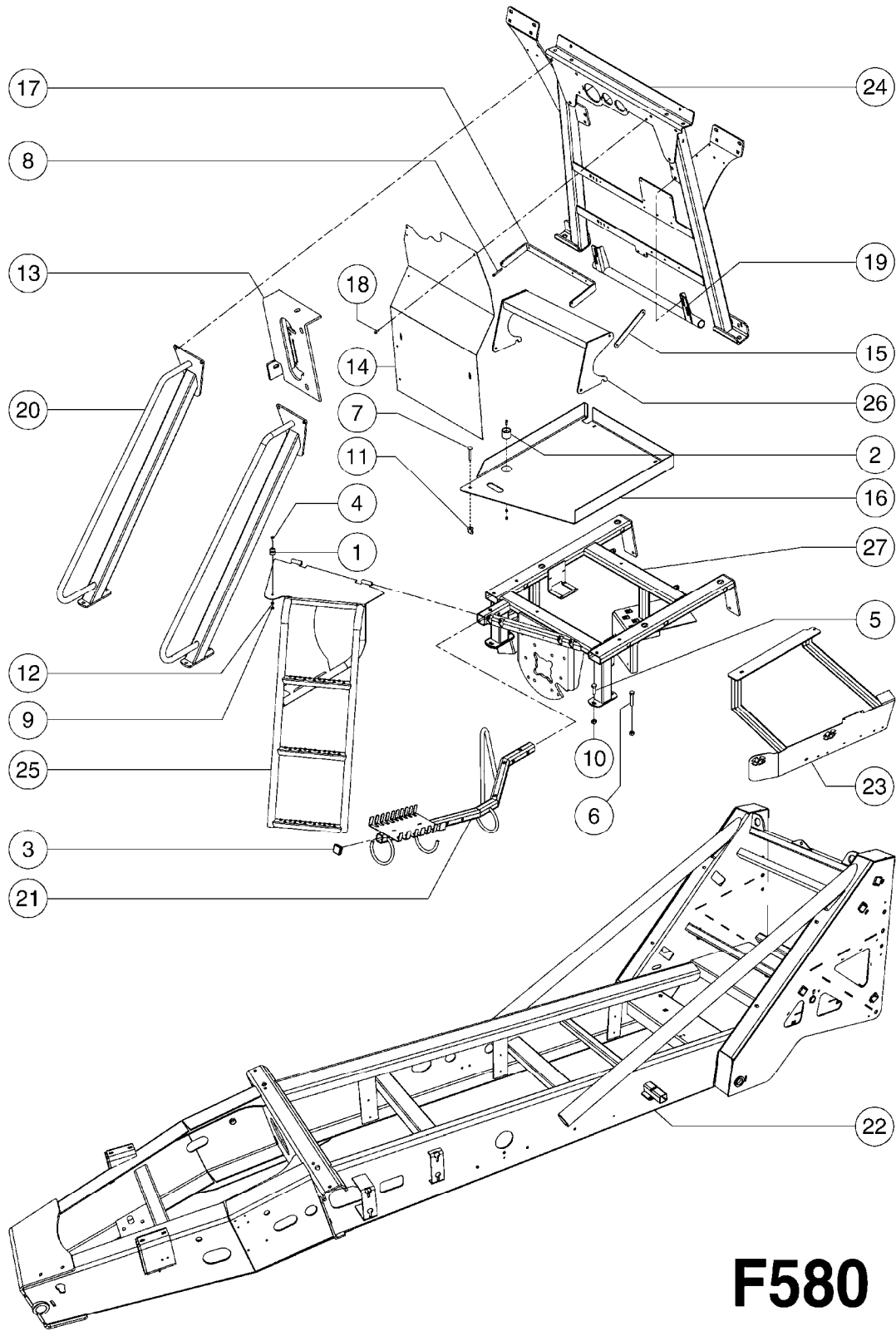
Pos.	parts-n°	order qty	description
1	146845	1	HEX NIPPLE 1/4"X1/4"
2	146846	1	HEX NIPPLE 1/2" X 1/4"
3	230311	1	QUICK COUPLING 1/2"
4	232278	1	NIPPLE 3/8"/90° W. UNION NUT
5	241356	1	DOWTYSEAL 1/2"
6	241404	1	DOWTYSEAL 1/4"
7	284635	1	BALL VALVE HY. 1/4 X 1/4 BSP
8	334206	1	DUST HOOD FOR HY-COUPLING
9	420626	1	BOLT HEX 8.8 DEL M10X20 FT
10	421142	1	BOLT HEX 8.8 DEL M5X40
11	421224	1	BOLT HEX 8.8 DEL M10X55
12	430765	1	BOLT HEX 8.8 DEL M16X55
13	430915	1	BOLT HEX 8.8 DEL M16X70
14	460423	1	NUT HEX M10X1.5 LOCK
15	460585	1	NUT HEX M16X2 LOCK
16	461217	1	NUT HEX M5 LOCK
17	471128	1	WASHER D30/D17X3
18	480244	1	PIN SNAP D4.5
19	784114	1	HOSE HY X 1/4 X 80.7" STR+STR
20	14017204	1	BUSHING D106/D52 L=68 HITCH
21	14027204	1	HANDLE HYDRAULIC JACK NCM 9000
22	16160000	1	PLATE F. HYD. VALVE CM66/9000
23	21000904	1	BEARING TEFLON 50/52
24	27004104	1	JACK STAND HYDRAULIC NCM9000
25	78400704	1	HOSE HY 1/4" l=130" STR+3/8STR
26	39001204	1	BUFFER PU D120X210 NCM 9000
27	39001304	1	BUFFER PU D105X55 NCM 9000
28	48000904	1	SNAP RING D1400-0800 NCM 9000
29	61021504	1	SUS.MOUNT 9000 DRAWBAR
30	61023604	1	HYDRAULIC JACK PIN NCM 9000
31	63040204	1	DRAWBAR NCM 9000
32	63040304	1	DRAWBAR INSERT NCM 9000
33	75000404	1	REPAIR KIT - HYD.JACK NCM 9000
34	97814500	1	DECAL JACK STAND LOCK VALVE



FRAME - NCM 9000
F580-HIN, 01:06:09

Page 0

Date 19.03.2013 9:53



F580

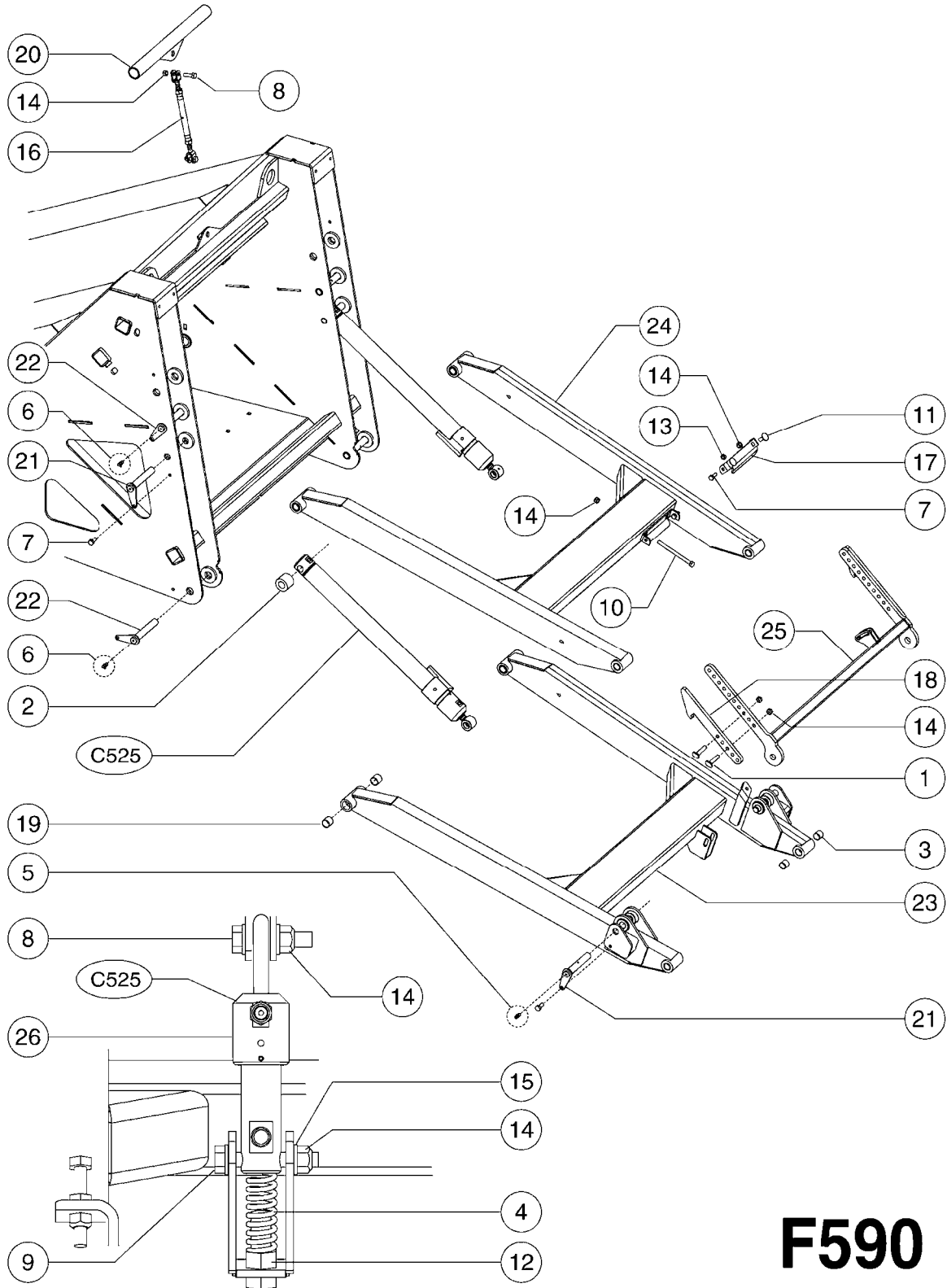


FRAME - NCM 9000
F580-HIN, 01:06:09

Page 1

Date 19.03.2013 9:53

Pos.	parts-n°	order qty	description
1	242567	1	DOOR STOP, MALE
2	242568	1	DOOR STOP, FEMALE
3	334571	1	PLUG 40X40X2 F.SQ.TUBE
4	410185	1	BOLT HEX 8.8 DEL M6X16
5	430286	1	BOLT HEX 8.8 DEL M12X30 FT
6	430438	1	BOLT HEX 8.8 DEL M12X65
7	440718	1	BOLT CRG M10 X 65 DEL
8	450402	1	BOLT HEX M6X50
9	460261	1	NUT HEX M6X1 LOCK
10	460703	1	NUT HEX M12X1.75 LOCK
11	461324	1	NUT WING M10 STAINLESS STEEL
12	471125	1	WASHER D12/D6.4x1.6 SS
13	16107004	1	PLATE 8 X 425 X 355 / 3 BENDS
14	16113204	1	PLATE 2 x 1050 x 740 / 2 BENDS
15	16113804	1	PLATE 5 X 255 X 30
16	16114504	1	DECKPLATE F.PLATFORM NCM 9000
17	16128600	1	BRACKET F. COVER PLATE NCM
18	45001500	1	SCREW THUMB PLASTIC HEAD M6x20
19	61023704	1	BRACKET TANK FRONT NCM 9000
20	63033700	1	HANDRAIL FOR PLATFORM PAINTED
21	63038700	1	HOSE & CABLE SUPPORT NCM
22	63040004	1	FRAME NCM 9000
23	63040500	1	VALVE CONSOLE PAINTED
24	63040704	1	TRANSPORT FRAME NCM 9000
25	63041204	1	STEP FOR NCM 9000
26	63041304	1	STEP TOP NCM 9000
27	63043700	1	MOUNT PLATFORM NCM 6600



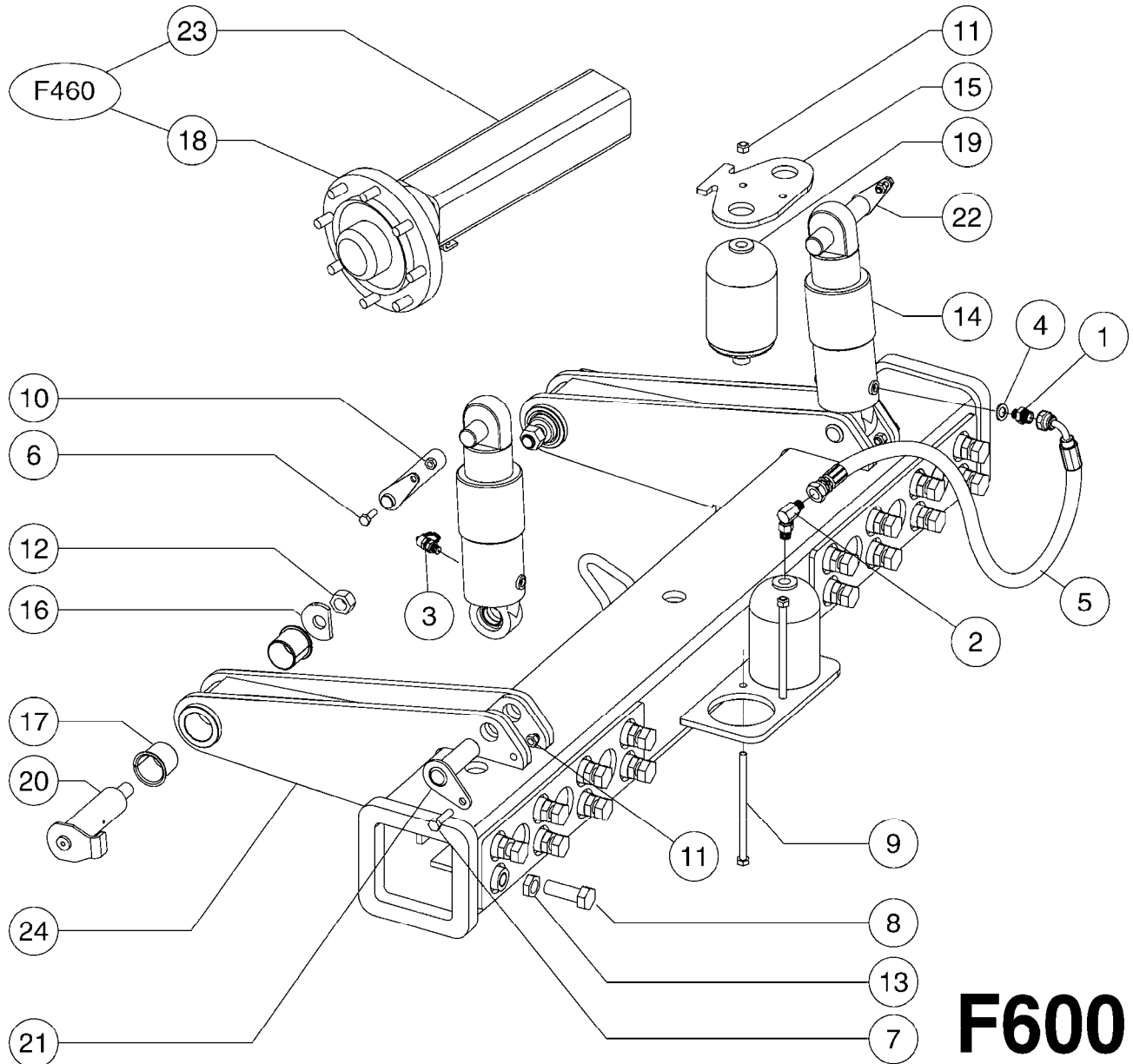
F590



PARALIFT - NCM 9000
F590-HIN, 03:06:09

Page 1
Date 19.03.2013 9:53

Pos.	parts-n°	order qty	description
1	140225	1	BOLT SPECIAL F.PARALIFT M12x50
2	145674	1	DISTANCE RING 0 40/25 X 42.5
3	210835	1	BUSHING D28/25 L=25
4	220706	1	SPRING SCF 12 BAR
5	283699	1	GREASE NIPPLE M6X1
6	283772	1	GREASE NIPPLE H3 M6 X 4
7	421002	1	BOLT HEX 8.8 DEL M10X30 FT
8	430404	1	BOLT HEX 8.8 DEL M12X50
9	430802	1	BOLT HEX 8.8 DEL M12X75
10	430908	1	BOLT HEX 8.8 DEL M12X200
11	451070	1	SQUARE NECK BOLT M12X30
12	460386	1	NUT HEX M12X1.75
13	460423	1	NUT HEX M10X1.5 LOCK
14	460703	1	NUT HEX M12X1.75 LOCK
15	471127	1	WASHER D24/D13X2.5 STAINLESS
16	729242	1	TURNBUCKLE ASSY.M16 310-435
17	16145100	1	SWIVEL FOR HOSE SUPPORT
18	16166200	1	HOOK F.TRANSF STOP W.HOLING
19	21001004	1	BEARING TEFLON D33/30 L25
20	61022004	1	TIE DOWN NCM 9000 MAIN TANK
21	61022904	1	PIN PARA LIFT 9000 25Ø L=171
22	61023004	1	PIN PARA LIFT 9000 30Ø L=171
23	63040804	1	PARALIFT BOTTOM NCM 9000
24	63040904	1	PARALIFT TOP NCM 9000
25	63041104	1	PARALIFT LOCK ARM NCM 9000
26	72531000	1	CYL. D25/12-50/78124200 W/FITT

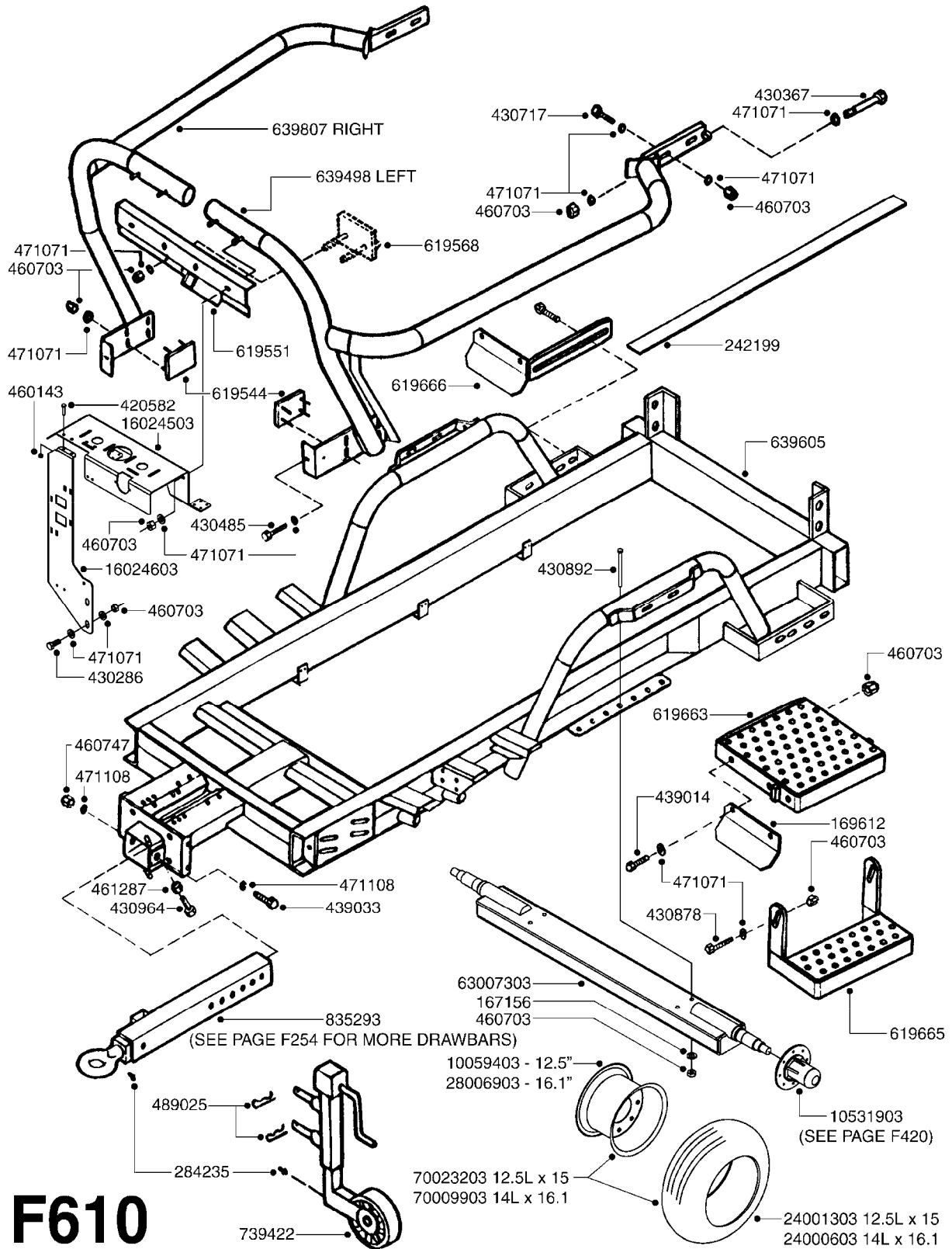




NCM 9000 SUSPENDED AXLE
F600-HIN, 03:06:09

Page 1
Date 19.03.2013 9:53

Pos.	parts-n°	order qty	description
1	147132	1	HEX NIPPLE 1/2"X1/2" BSP DEL
2	232293	1	ELBOW 90° 1/2"x1/2"
3	232298	1	HY. TEST CONN. 1/2" OCBR-108
4	241356	1	DOWTYSEAL 1/2"
5	284791	1	HOSE HY X 1/2 X 21.5"STR+ELB
6	421002	1	BOLT HEX 8.8 DEL M10X30 FT
7	430393	1	BOLT HEX 8.8 RAW M12X50
8	430930	1	BOLT HEX 8.8 DEL M24X70
9	430947	1	BOLT HEX 8.8 DEL M12X210
10	460423	1	NUT HEX M10X1.5 LOCK
11	460703	1	NUT HEX M12X1.75 LOCK
12	460747	1	NUT HEX M24 LOCK
13	461244	1	NUT HEX M24X3 JAMB.
14	781137	1	HYDRAULIC SHOCK NCM6600 SUSP.
15	16110704	1	PLATE 10 X 250 X 165
16	16110804	1	PLATE 8 X 70 X 55
17	21000904	1	BEARING TEFLON 50/52
18	28045703	1	HUB ASSY 10-13.19-11.02 25000#
19	28059400	1	ACCUMULATOR NCM6600 SUSPENSION
20	61021704	1	PIN SUSP.AND DRAWBAR NCM 9000
21	61021804	1	PIN HYD.SUSP.BOTTOM NCM 9000
22	61021904	1	PIN HYD.SUSP.TOP NCM 9000
23	63033703	1	AXLE INSERT NCM 44/66/9000
24	63040404	1	AXLE SUSPENDED ADJ. NCM 9000



F610

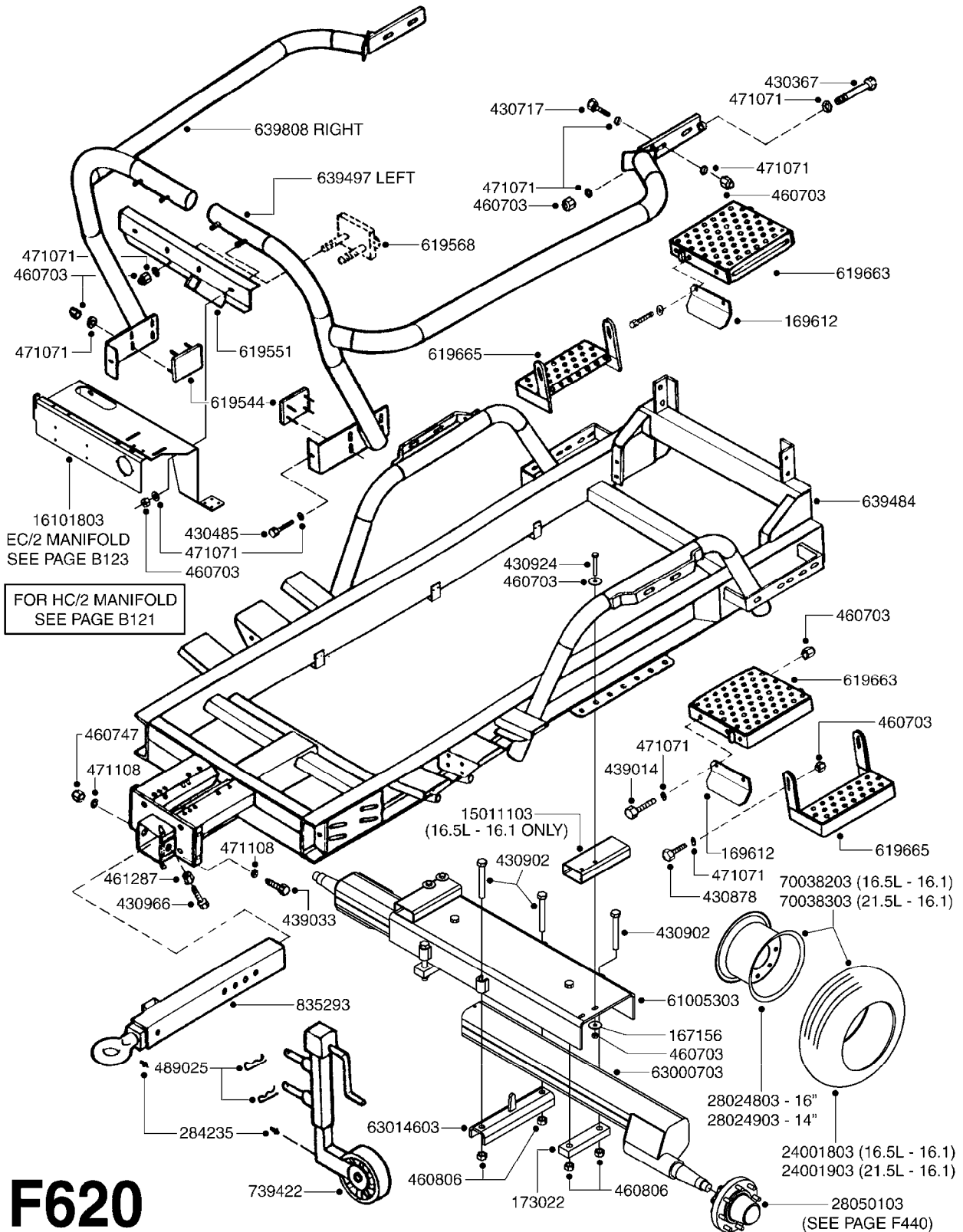


FRAME - MERCURY 600 '05
F610-HIN, 21:10:10

Page 1

Date 19.03.2013 9:53

parts-n°	order qty	description
167156	1	WASHER D46.5/D12.4X2.5
169612	1	MUD SCRAPER (STEP)MERCURY PLUS
242199	1	TANK FRAME PACKING 1300X45X3
284235	1	GREASE NIPPLE M 6/100
420582	1	BOLT HEX 8.8 DEL M8X20 FT
430286	1	BOLT HEX 8.8 DEL M12X30 FT
430367	1	BOLT HEX 8.8 DEL M12X100
430485	1	BOLT HEX 8.8 DEL M12X90
430717	1	BOLT HEX 8.8 RAW M12x40
430878	1	BOLT HEX 8.8 DEL M12X45
430892	1	BOLT HEX 8.8 DEL M12X110
430964	1	BOLT HEX M18X50
439014	1	BOLT HEX 8.8 DEL M12X35
439033	1	BOLT HEX M24X170 GALV.
460143	1	NUT HEX M8 LOCK
460703	1	NUT HEX M12X1.75 LOCK
460747	1	NUT HEX M24 LOCK
461287	1	NUT HEX M18
471071	1	WASHER M12 GALV
471108	1	WASHER D44D25X4.5
489025	1	"R" PIN D.4
619544	1	FRONT PLATE - MERCURY FRAME
619551	1	FRONT BRACKET F.RAILING MR600
619568	1	TANK SUPPORT BRACKET
619663	1	FOOT STEP MERCURY PLUS
619665	1	BOTTOM FOOT STEP MERCURY PLUS
619666	1	MUD SCRAPER (FRAME)MERCURY PLUS
639498	1	RAILING - MERCURY 600 LEFT
639605	1	FRAME - MERCURY 600 PLUS
639807	1	RAILING - MERCURY 600 RIGHT
739422	1	CPL. JACK STAND FOR TANGO
835293	1	DRAWBAR RING HITCH
10059403	1	RIM 15X10 X 8-8-6 +1.062OFFSET
10531903	1	HUB ASSY.COMP.F.2-1/8" SPINDLE
16024503	1	SUPPORT MANIFOLD MERCURY
16024603	1	SUPPORT HYD VALVE MISTBLOWER
24000603	1	TIRE 14L X 16.1 8 PLY
24001303	1	TIRE 12.5L-15SL 12 PLY
28006903	1	WHEEL RIM 16.1" X 11" 8-8-6"
63007303	1	AXLE WELDMENT FIXD MERCURY 600
70009903	1	WHEEL ASSY. 14L x 16.1 8PLY
70023203	1	TIRE ASSY 12.5L-15 12PLY8-8-6



F620

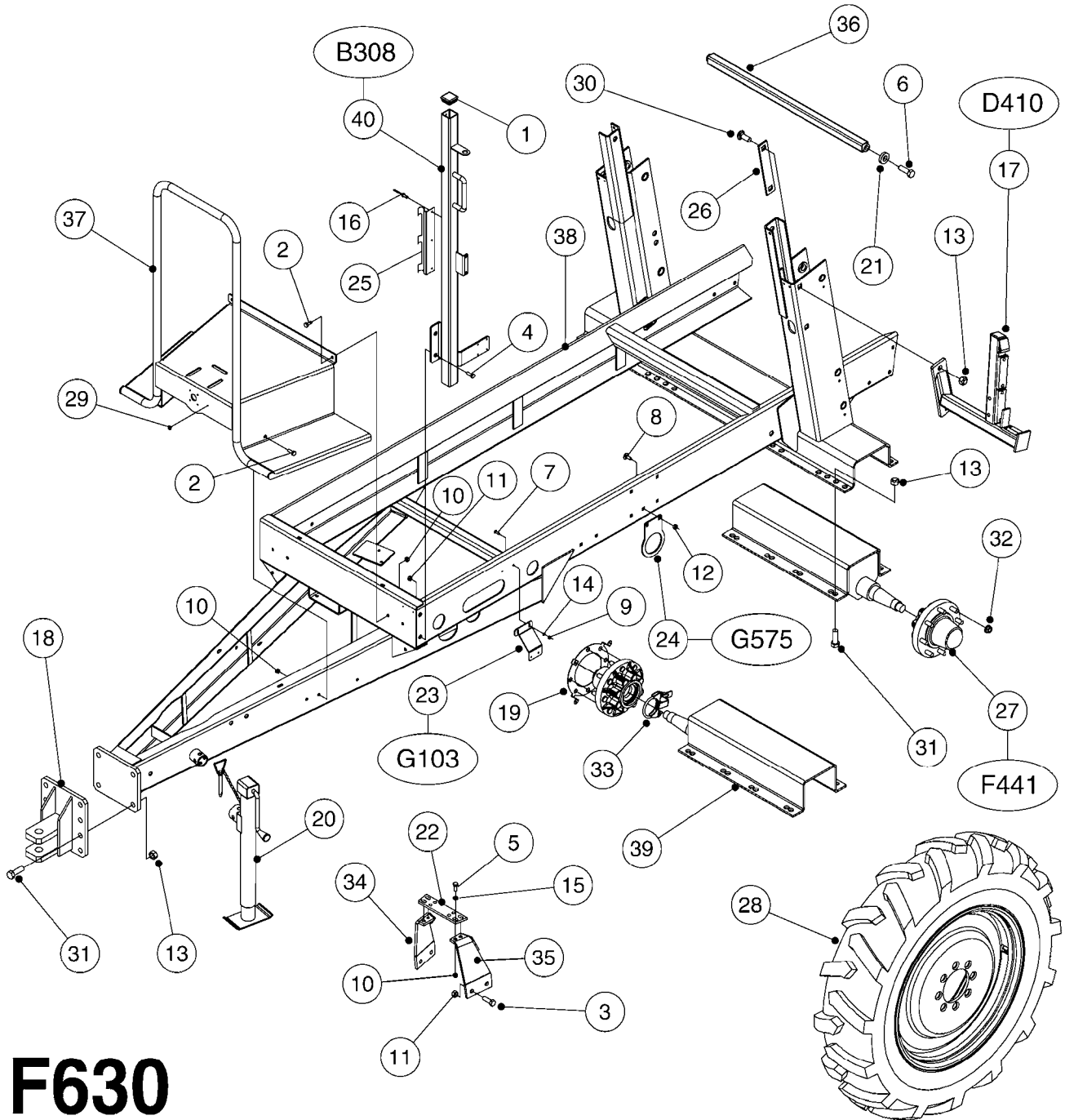


FRAME - MERCURY 925 '05
F620-HIN, 26:10:10

Page 1

Date 19.03.2013 9:53

parts-n°	order qty	description
167156	1	WASHER D46.5/D12.4X2.5
169612	1	MUD SCRAPER (STEP) MERCURY PLUS
173022	1	FLATBAR 50X30 L=218/2XD22
284235	1	GREASE NIPPLE M 6/100
430367	1	BOLT HEX 8.8 DEL M12X100
430485	1	BOLT HEX 8.8 DEL M12X90
430717	1	BOLT HEX 8.8 RAW M12x40
430878	1	BOLT HEX 8.8 DEL M12X45
430902	1	BOLT HEX 8.8 DEL M20X150
430924	1	BOLT HEX 8.8 DEL M12 X 85
430966	1	BOLT HEX M18X60
439014	1	BOLT HEX 8.8 DEL M12X35
439033	1	BOLT HEX M24X170 GALV.
460703	1	NUT HEX M12X1.75 LOCK
460747	1	NUT HEX M24 LOCK
460806	1	NUT HEX M20X2.5 LOCK
461287	1	NUT HEX M18
471071	1	WASHER M12 GALV
471108	1	WASHER D44D25X4.5
489025	1	"R" PIN D.4
619544	1	FRONT PLATE - MERCURY FRAME
619551	1	FRONT BRACKET F.RAILING MR600
619568	1	TANK SUPPORT BRACKET
619663	1	FOOT STEP MERCURY PLUS
619665	1	BOTTOM FOOT STEP MERCURY PLUS
639484	1	FRAME - MERCURY 925
639497	1	RAILING - MERCURY 925 LEFT
639808	1	RAILING - MERCURY 925 RIGHT
739422	1	CPL. JACK STAND FOR TANGO
835293	1	DRAWBAR RING HITCH
15011103	1	RECT. TUBE SPACER MERC. 900
16101803	1	CONTROL BRACKET F. MERCURY EC2
24001803	1	TIRE 16.5L-16.1 10 PLY TURF
24001903	1	TIRE 21.5L-16.1 10 PLY TURF
28024803	1	WHEEL RIM 16.1X16 8-8-6 +1.125
28024903	1	WHEEL RIM 16.1X14" 8-8-6 -1.50
28050103	1	HUB F 3" 758 7500# PACKAGE
61005303	1	*AXLE NON-SUSP ADJ 900 MERC
63000703	1	AXLE INSERT W/M CM750
63014603	1	SUPPORT BAR CENT ADJ. MERC 900
70038203	1	*TIRE ASSY MR900 TF 8-8-6 16.1
70038303	1	*TIRE ASSY MR900 TF 8-8-6 21.5



F630

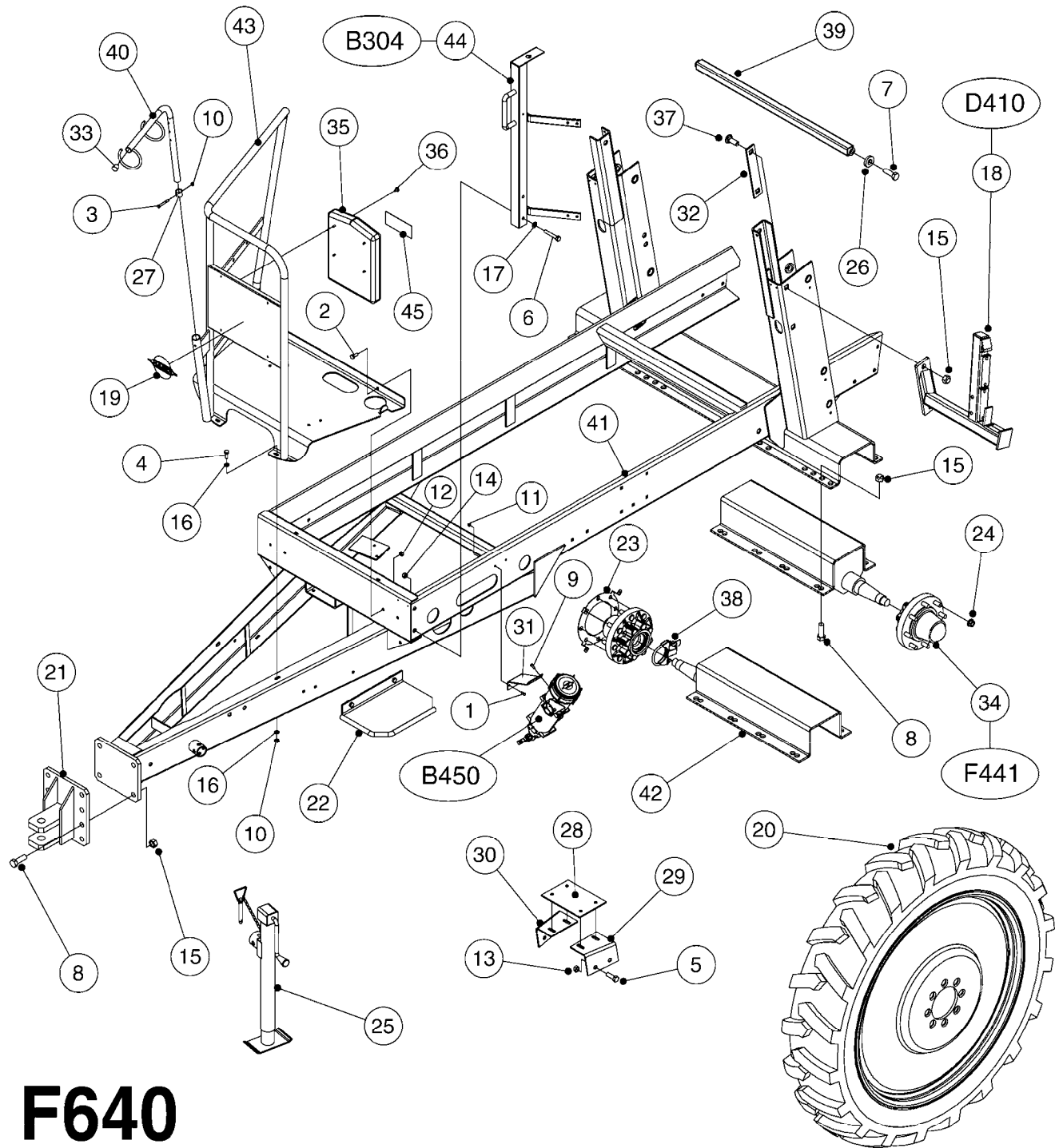


FRAME - RANGER 550
F630-HIN, 09:05:11

Page 1

Date 19.03.2013 9:53

Pos.	parts-n°	order qty	description
1	334561	1	PLUG 50x50x2 F.SQ.TUBE
2	421002	1	BOLT HEX 8.8 DEL M10X30 FT
3	430581	1	BOLT HEX 8.8 DEL M16X40 FT
4	430684	1	BOLT HEX 8.8 DEL M16X30 FT
5	430721	1	BOLT HEX 8.8 DEL M12X40 FT
6	430890	1	BOLT HEX 8.8 DEL M20X50
7	451007	1	SCREW M6X20 STAINLESS
8	451070	1	SQUARE NECK BOLT M12X30
9	460261	1	NUT HEX M6X1 LOCK
10	460423	1	NUT HEX M10X1.5 LOCK
11	460585	1	NUT HEX M16X2 LOCK
12	460703	1	NUT HEX M12X1.75 LOCK
13	460806	1	NUT HEX M20X2.5 LOCK
14	471125	1	WASHER D12/D6.4x1.6 SS
15	471127	1	WASHER D24/D13X2.5 STAINLESS
16	480804	1	RIVET Ø4.8x14.5
17	637958	1	TRANS.BKT CM EAGLE45'-66' RH
17	637959	1	TRANS.BKT CM EAGLE45'-66' LH
18	10507303	1	CLEVIS NAV.550/800/1000 GAL.
19	10587803	1	MAG MNT F. SPEED SNS 8 BOLT
20	10632103	1	JACK F RANGER 5000LB
21	15006503	1	WASHER FRAME BUSHING
22	16054903	1	PUMP MT. PLATE ACE B.D.
23	16143803	1	BRACKET, FILLER TEE, RG550
24	16144003	1	BRACKET, QUICK FILL, RG550
25	16226200	1	BRACKET F.TANK SCALE - PAINTED
26	17012703	1	BAR, CRG BOLT RANGER FRAME
27	28050103	1	HUB F 3" 758 7500# PACKAGE
28	28058703	1	TIRE, 12.4x28, 6-PLY
28	28058803	1	RIM, 28X10, 8-8-6, 4.12" OS
28	70058403	1	AXLE ASSY. NON-SUS. ADJ. CM"05
28	70085303	1	TIRE ASSY 12.4-28 RH
29	28087800	1	BUTTON, VALVE FUNCTION 4Ø
30	43000203	1	BOLT HEX 8.8 CARRIAGE M20x2.5
31	43000803	1	BOLT HEX M20 X 70MM DEL - FT
32	46000703	1	NUT TAPERED LUG 5/8-18
33	61000503	1	SPEED SNS MNT CLAMP - 3"
34	61004603	1	PUMP MT. TOWER R.H. ACE B.D.
35	61004703	1	PUMP MT. TOWER L.H. ACE B.D.
36	61011603	1	CROSS BAR RANGER FRAME
37	61015903	1	PLATFORM, RANGER 550
38	63027303	1	FRAME, RANGER 550/2000/2200
39	63027703	1	AXLE RANGER 60-98
40	63035203	1	CONTROL POST, RANGER 550



F640



FRAME - RANGER 2000
F640-HIN, 27:11:12

Page 1
Date 19.03.2013 9:53

Pos.	parts-n°	order qty	description
1	410185	1	BOLT HEX 8.8 DEL M6X16
2	420604	1	BOLT HEX 8.8 DEL M10X25 FT
3	420744	1	BOLT HEX 8.8 DEL M8X40
4	421002	1	BOLT HEX 8.8 DEL M10X30 FT
5	430684	1	BOLT HEX 8.8 DEL M16X30 FT
6	430802	1	BOLT HEX 8.8 DEL M12X75
7	430890	1	BOLT HEX 8.8 DEL M20X50
8	430977	1	BOLT HEX M20X 60
9	440698	1	SCREW F.PLASTIC 6X18 SS HEXHD
10	460143	1	NUT HEX M8 LOCK
11	460261	1	NUT HEX M6X1 LOCK
12	460423	1	NUT HEX M10X1.5 LOCK
13	460585	1	NUT HEX M16X2 LOCK
14	460703	1	NUT HEX M12X1.75 LOCK
15	460806	1	NUT HEX M20X2.5 LOCK
16	471122	1	WASHER D20/D10.5X2 SS
17	471127	1	WASHER D24/D13X2.5 STAINLESS
18	637958	1	TRANS.BKT CM EAGLE45'-66' RH
18	637959	1	TRANS.BKT CM EAGLE45'-66' LH
19	976157	1	DECAL COMPANY (4.4" X 4.6")
20	10462503	1	TIRE 11.2" X 38" 4 PLY TUBE L.
20	28045103	1	RIM 38X10 8/8/6 4.18-OS GRAY
20	70030603	1	TIRE ASSY 11.2-38 RH
20	70030703	1	TIRE ASSY 11.2-38 LH
21	10507303	1	CLEVIS NAV.550/800/1000 GAL.
22	10512003	1	SIDE STEP ASSY.550/800/1000
23	10587803	1	MAG MNT F. SPEED SNS 8 BOLT
24	10606703	1	NUT HEX NF 5/8" FLANGED F.STUD
25	10632103	1	JACK F RANGER 5000LB
26	15006503	1	WASHER FRAME BUSHING
27	15116700	1	BUSHING NAVIGATOR HOSE HOLDER
28	16055603	1	PUMP MT. PLATE DIA. NAV. M
29	16055703	1	PUMP MT. PLATE L.H. DIA. NAV.M
30	16055803	1	PUMP MT. PLATE R.H. DIA. NAV.M
31	16105703	1	PLATE SUPPORT SCF CYCLONE
32	17012703	1	BAR, CRG BOLT RANGER FRAME
33	28046400	1	PIPE PLUG Ø25/1.0-2.0, BLACK
34	28050103	1	HUB F 3" 758 7500# PACKAGE
35	29003003	1	MANUAL HOLDER, FLAT
36	29003103	1	PLASTIC PUSH RIVET, 1/4" HOLE
37	43000203	1	BOLT HEX 8.8 CARRIAGE M20x2.5
38	61000503	1	SPEED SNS MNT CLAMP - 3"
39	61011603	1	CROSS BAR RANGER FRAME
40	61053400	1	HOSE HOLDER UPPER NAVIGATOR
41	63027303	1	FRAME, RANGER 550/2000/2200
42	63027703	1	AXLE RANGER 60-98
43	63027803	1	PLATFORM, RANGER 2000/2200
44	63028103	1	MANIFOLD STAND RANGER
45	97607503	1	DECAL-OPERATOR'S MANUAL (LRG.)