



Agroparts: www.HARDI-INTERNATIONAL.com

A

Country-Code 00

Date 19.03.2013 9:41



Section A

Pumps, PTO's,
Gear Boxes



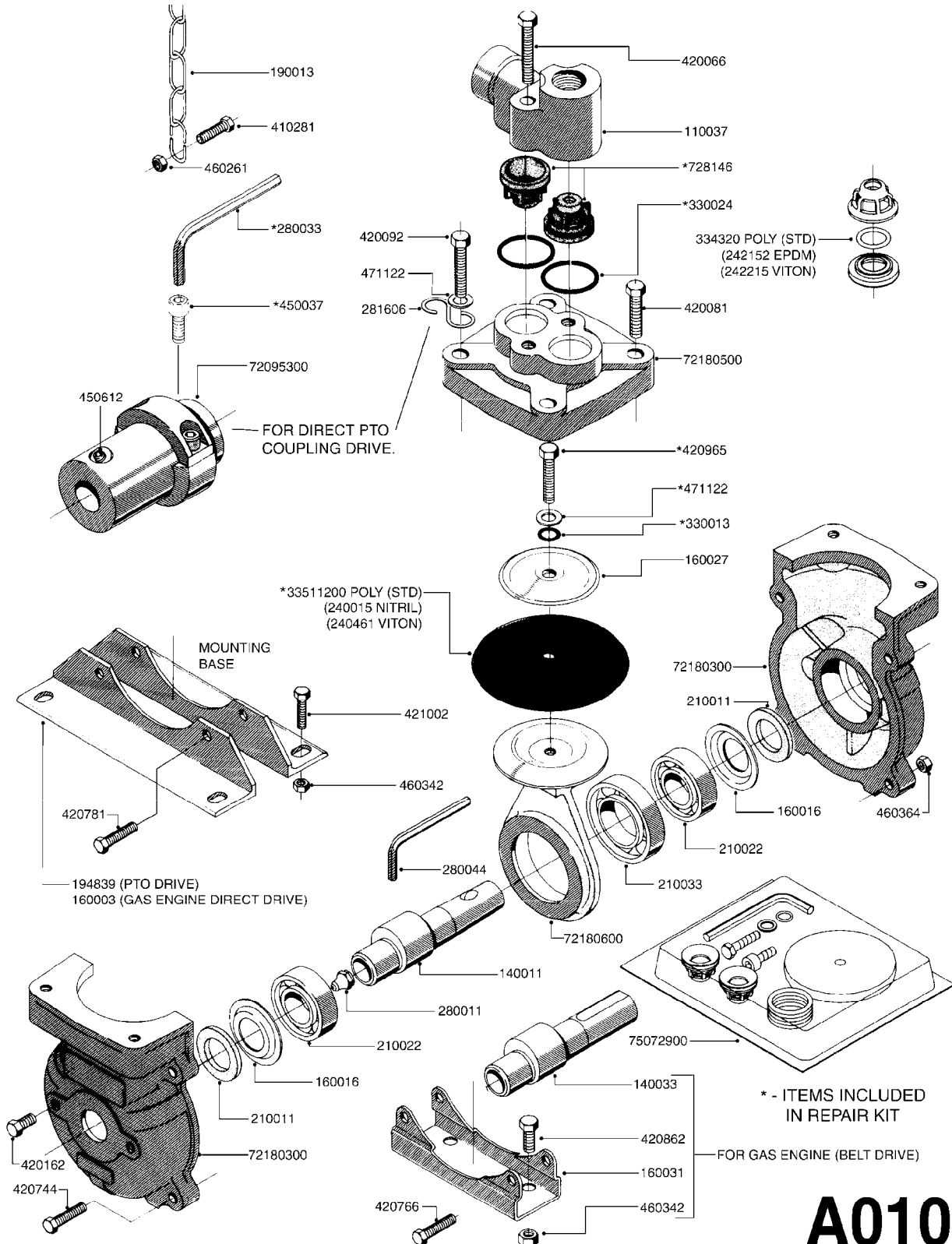
main group	page-n°	date	description
Pumps, Pto's, Gear Boxes	A010-HIN	01:11:11	PUMP - 500
	A011-HIN	01:11:11	PUMP - 503
	A020-HIN	20:05:11	PUMP - 500/600 W/B&S 3.5 HP
	A025-HIN	06:10:10	PUMP - 503/603 W/DIRECT DRIVE
	A030-HIN	23:05:11	PUMP - 500 FITTINGS
	A040-HIN	06:10:10	PUMP - 600
	A041-HIN	01:11:11	PUMP - 603
	A050-HIN	16:12:08	PUMP - 600 FITTINGS
	A060-HIN	01:01:01	PUMP - 320 W/MOUNTING BASE
	A070-HIN	07:10:10	PUMP - 321 W/MOUNTING BASE
	A080-HIN	20:05:11	PUMP - 321 W/ B&S 5 HP
	A090-HIN	06:09:11	PUMP - 321 F. LB 50 - PRE '99
	A100-HIN	07:09:11	PUMP - 321 F.LB 50 - POST '99
	A105-HIN	28:11:12	PUMP - 321 F.ZENIT
	A110-HIN	23:05:11	PUMP - 320/321 FITTINGS
	A120-HIN	01:11:11	PUMP - 1200 W/ MOUNTING BASE
	A130-HIN	01:11:11	PUMP - 1202 W/MOUNTING BASE
	A131-HIN	08:11:11	PUMP - 1203 W/MOUNTING BASE
	A140-HIN	01:01:01	PUMP - 1200/1202 W/ B&S 5 HP
	A150-HIN	01:01:01	PUMP - 1200/1202 W/ HONDA 5 HP
	A155-HIN	28:06:06	PUMP - 1203 W/DIRECT DRIVE
	A160-HIN	22:06:10	PUMP - 1203 F. LE/LE-SPV/LP
	A170-HIN	08:12:09	PUMP - 1200/1202/1203 FITTINGS
	A180-HIN	08:11:11	PUMP - 1301 W/ MOUNTING BASE
	A190-HIN	08:11:11	PUMP - 1302 W/ MOUNTING BASE
	A191-HIN	08:11:11	PUMP - 1303 W/ MOUNTING BASE
	A200-HIN	01:01:01	PUMP - 1301/1302 W/ B&S 8 HP
	A210-HIN	01:01:01	PUMP - 1301/1302 W/ HONDA 8 HP
	A220-HIN	08:12:09	PUMP - 1301/1302 FITTINGS
	A230-HIN	10:12:05	PUMP - 361 W/MOUNTING BASE
	A240-HIN	01:12:11	PUMP - 363 W/MOUNTING BASE
	A250-HIN	01:12:11	PUMP - 363/1000 RPM W/MOUNTING
	A260-HIN	01:01:01	PUMP - 361 W/ HONDA 11HP
	A270-HIN	01:12:11	PUMP - 361/363FITTINGS
	A280-HIN	08:11:11	PUMP - 460 W/MOUNTING BASE
	A290-HIN	08:11:11	PUMP - 462 W/MOUNTING BASE
	A300-HIN	01:12:11	PUMP - 463 W/ MOUNTING BASE
	A310-HIN	01:12:11	PUMP - 463/1000 RPM W/MOUNTING
	A320-HIN	18:12:10	PUMP - 463 DOUBLE W/MOUNTING
	A330-HIN	18:12:10	PUMP - 463 TRANSFER PUMP
	A335-HIN	06:11:12	PUMP - 463 FLEX CAPACITY
	A340-HIN	20:05:10	PUMP - 460/462/463 FITTINGS
	A350-HIN	01:01:01	PUMP - FLO JET 12 VOLT
	A360-HIN	23:05:11	PUMP - SYSTEM 12 VOLT F/ES30
	A370-HIN	01:01:01	PUMP - 12 VOLT F/FRONT TANK
	A380-HIN	23:05:11	PUMP - C6500 HYPRO
	A390-HIN	08:12:09	PUMP - SCOT 5 HP
	A400-HIN	08:12:09	PUMP - SCOT 8 HP
	A410-HIN	01:01:01	PUMP - SYSTEM TMS
	A420-HIN	08:12:09	PUMP - CENTRIFUGAL M300
	A430-HIN	14:06:12	PUMP-204,206-150,210,310 ACE
	A431-HIN	13:11:12	PUMP - ACE 150 BELT DRIVE
	A432-HIN	15:12:09	PUMP - 304 ACE CENTRIFUGAL
	A433-HIN	01:11:12	PUMP - 650 ACE CENTRIFUGAL
	A434-HIN	10:05:12	PUMP HYD.MOTOR ACE 650
	A440-HIN	08:12:09	PUMP 9016/9018 HYPRO CENT.
	A450-HIN	10:12:05	GEAR DRIVE 1000RPM 361-3/460-3



main group	page-n°	date	description
	A460-HIN A470-HIN A480-HIN A485-HIN A490-HIN A500-HIN A510-HIN A511-HIN A512-HIN A520-HIN A530-HIN A540-HIN A550-HIN A560-HIN	01:01:01 16:11:09 13:12:11 13:11:12 01:01:01 01:01:01 13:12:11 29:11:06 13:06:08 01:01:01 01:01:01 01:01:01 01:01:01 22:12:11	GEAR BOX KIT 1000 RPM GEAR BOX - TWIN FORCE 540/1000 PTO SHAFTS - BONDIOLI DIAPH. PTO SHAFTS - BONDIOLI CENT. PTO HARDI-SQUARE SHAFT 540 RPM PTO HARDI TRIANGULAR SHAFT 540 C.V.PTO SHAFTS YELLOW (PRE'05) C.V.PTO-BLACK TRIANG.(POST'05) C.V.PTO-BLACK SQUARE (POST'05) PTO WALTERSCHEID HC650M/950M PTO WALTERSCHEID TR/NAV PTO SHAFT-EUROCARDAN 1000 RPM PTO SHAFT-CANIMEX PTO SHAFTS - AMA DIAPHRAGM



PUMP - 500
A010-HIN, 01:11:11



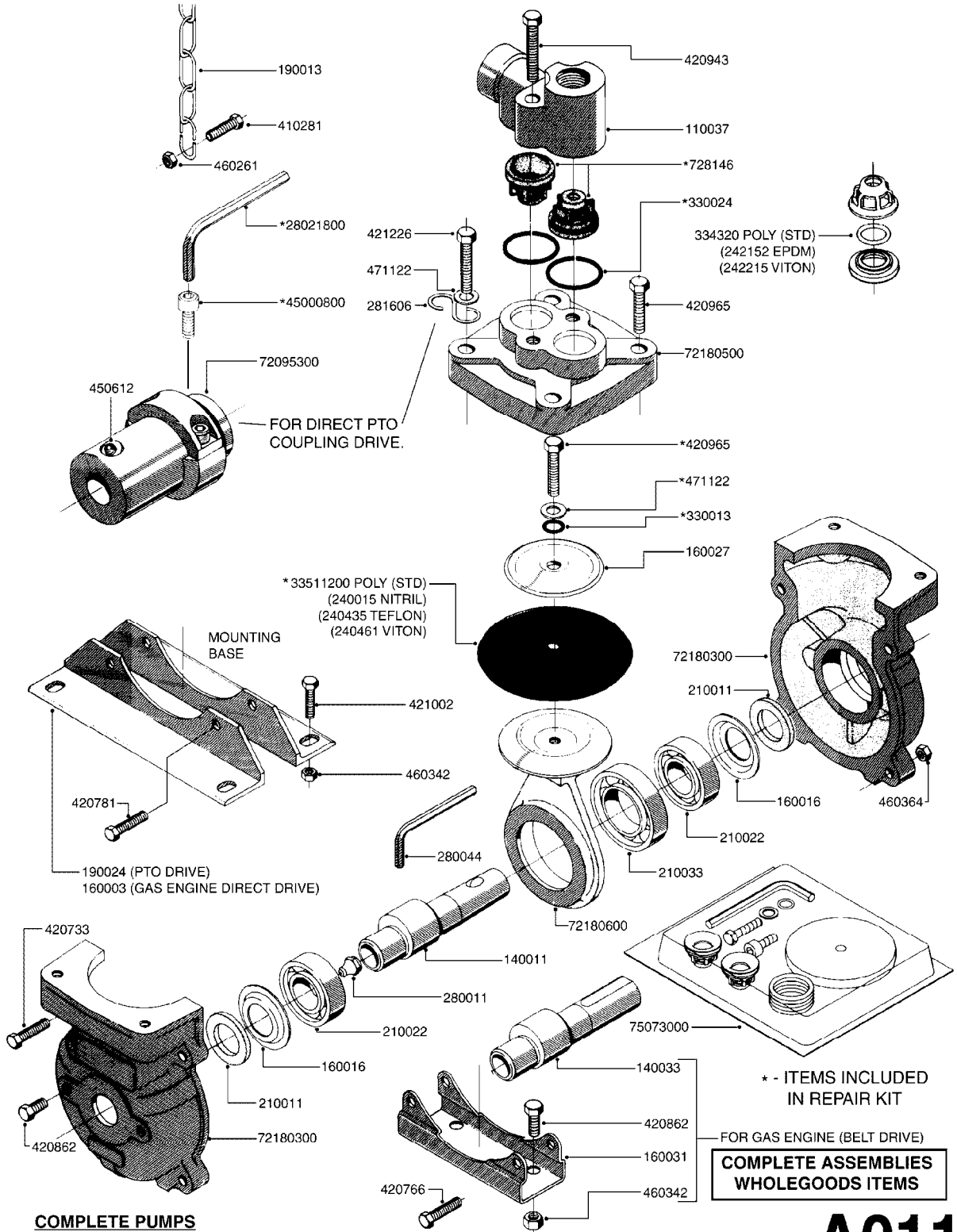
A010



PUMP - 500
A010-HIN, 01:11:11

Page 1
Date 19.03.2013 9:41

parts-n°	order qty	description
110037	1	VALVE CHAMBER MOD 500 PAINTED
140011	1	CRANK SHAFT MODEL 500
140033	1	CRANK SHAFT,MODEL 500/4
160003	1	PUMP MOUNT PLATE TALL 500/600
160016	1	DUST PLATE
160027	1	DIAPHRAGM UPPER DISC 500-600
160031	1	BASE PLATE MODEL 500-600
190013	1	CHAIN 35XL=800
194839	1	ANGLE IRON FOOT, M 500-600 RED
210011	1	SEAL FELT D39/23 X 4
210022	1	BEARING BALL 6205
210033	1	BEARING BALL 6007
240015	1	DIAPHRAGM MODEL 500-600 NITRIL
240461	1	DIAPHRAGM MODEL 500-600 VITON
242152	1	O-RING D18.2X3 EPDM
242215	1	O-RING D18X3 VITON
280011	1	GREASE NIPPLE 1/8' H TR
280033	1	KEY HEXAGON W9 5/16"
280044	1	KEY HEXAGON W6 3/16'
281606	1	S-HOOK GALVANIZED
330013	1	O-RING D15/D10X2.5 F.3/8"NUT
330024	1	O-RING D41,1/D34.5 X 3,5
334320	1	O-RING D18X3 POLYURETHANE
410281	1	BOLT HEX 8.8 DEL M6X25
420066	1	BOLT HEX 8.8 DEL 3/8"X50MM
420081	1	BOLT HEX 8.8 DEL 3/8"X40MM
420092	1	BOLT HEX 8.8 RAW 3/8"X45MM
420162	1	BOLT HEX 8.8 DEL 3/8"x15MM
420744	1	BOLT HEX 8.8 DEL M8X40
420766	1	BOLT HEX 8.8 DEL M8X45
420781	1	BOLT HEX 8.8 DEL M8X50
420862	1	BOLT HEX 8.8 DEL M10X16 FT
420965	1	BOLT HEX 8.8 DEL M10X40
421002	1	BOLT HEX 8.8 DEL M10X30 FT
450037	1	BOLT ROUND 3/8'X1' BLACK
450612	1	SCREW M10X16 POINTED
460261	1	NUT HEX M6X1 LOCK
460342	1	NUT HEX M10
460364	1	NUT HEX M8 GALV.
471122	1	WASHER D20/D10.5X2 SS
728146	1	VALVE FOR 361(726890/707932)
33511200	1	DIAPHRAGM 503/603 PUR 2006
72095300	1	COUPLING 1-3/8' X 25, PAINTED
72180300	1	PUMP HOUSING 503 RED W/BOLTS
72180500	1	DIAPHRAGM COVER 503 W/BOLTS
72180600	1	CONNECTING ROD FOR 503-603 M10
75072900	1	PUMP KIT F. 500 "06"



COMPLETE PUMPS
821617 - PUMP ONLY
10521303 - WITH PTO & DAMPER

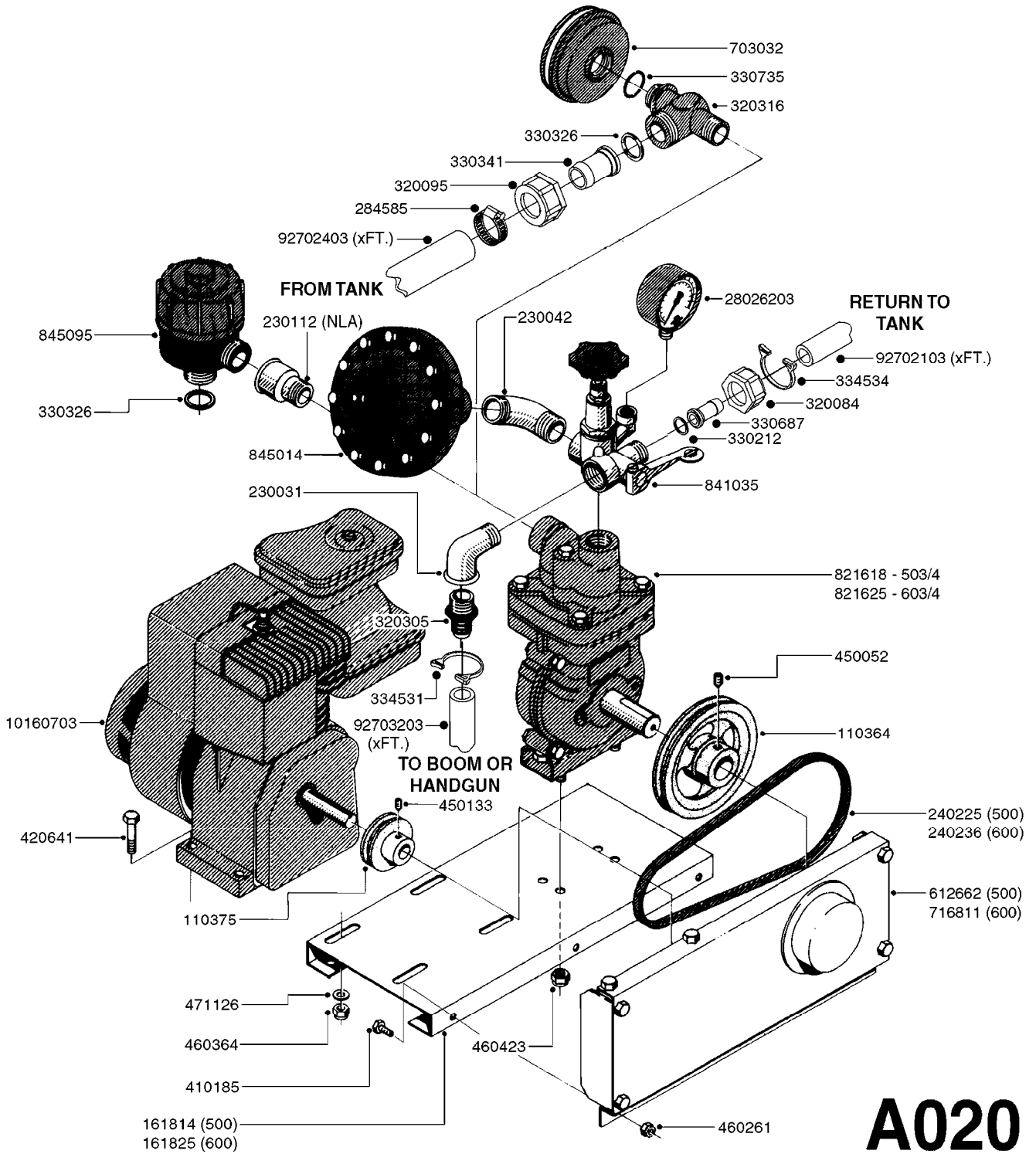
A011



PUMP - 503
A011-HIN, 01:11:11

Page 1
Date 19.03.2013 9:41

parts-n°	order qty	description
110037	1	VALVE CHAMBER MOD 500 PAINTED
140011	1	CRANK SHAFT MODEL 500
140033	1	CRANK SHAFT,MODEL 500/4
160003	1	PUMP MOUNT PLATE TALL 500/600
160016	1	DUST PLATE
160027	1	DIAPHRAGM UPPER DISC 500-600
160031	1	BASE PLATE MODEL 500-600
190013	1	CHAIN 35XL=800
190024	1	ANGLE IRON FOOT, MODEL 500-600
210011	1	SEAL FELT D39/23 X 4
210022	1	BEARING BALL 6205
210033	1	BEARING BALL 6007
240015	1	DIAPHRAGM MODEL 500-600 NITRIL
240435	1	DIAP alts 332021PUR,240015NITR
240461	1	DIAPHRAGM MODEL 500-600 VITON
242152	1	O-RING D18.2X3 EPDM
242215	1	O-RING D18X3 VITON
280011	1	GREASE NIPPLE 1/8' H TR
280044	1	KEY HEXAGON W6 3/16'
281606	1	S-HOOK GALVANIZED
330013	1	O-RING D15/D10X2.5 F.3/8"NUT
330024	1	O-RING D41,1/D34.5 X 3,5
334320	1	O-RING D18X3 POLYURETHANE
410281	1	BOLT HEX 8.8 DEL M6X25
420733	1	BOLT HEX 8.8 DEL M8X40
420766	1	BOLT HEX 8.8 DEL M8X45
420781	1	BOLT HEX 8.8 DEL M8X50
420862	1	BOLT HEX 8.8 DEL M10X16 FT
420943	1	BOLT HEX 8.8 DEL M10X50
420965	1	BOLT HEX 8.8 DEL M10X40
421002	1	BOLT HEX 8.8 DEL M10X30 FT
421226	1	BOLT HEX 8.8 DEL M10X45
450612	1	SCREW M10X16 POINTED
460261	1	NUT HEX M6X1 LOCK
460342	1	NUT HEX M10
460364	1	NUT HEX M8 GALV.
471122	1	WASHER D20/D10.5X2 SS
728146	1	VALVE FOR 361(726890/707932)
821617	1	PUMP 503/7 W FOOT TAPERED SHAF
10521303	1	PUMP 500 C/W PTO 540 RPM
28021800	1	KEY HEXAGON 8MM FOR M10
33511200	1	DIAPHRAGM 503/603 PUR 2006
45000800	1	BOLT ROUND M10X25
72095300	1	COUPLING 1-3/8' X 25, PAINTED
72180300	1	PUMP HOUSING 503 RED W/BOLTS
72180500	1	DIAPHRAGM COVER 503 W/BOLTS
72180600	1	CONNECTING ROD FOR 503-603 M10
75073000	1	PUMP KIT 503 "06"



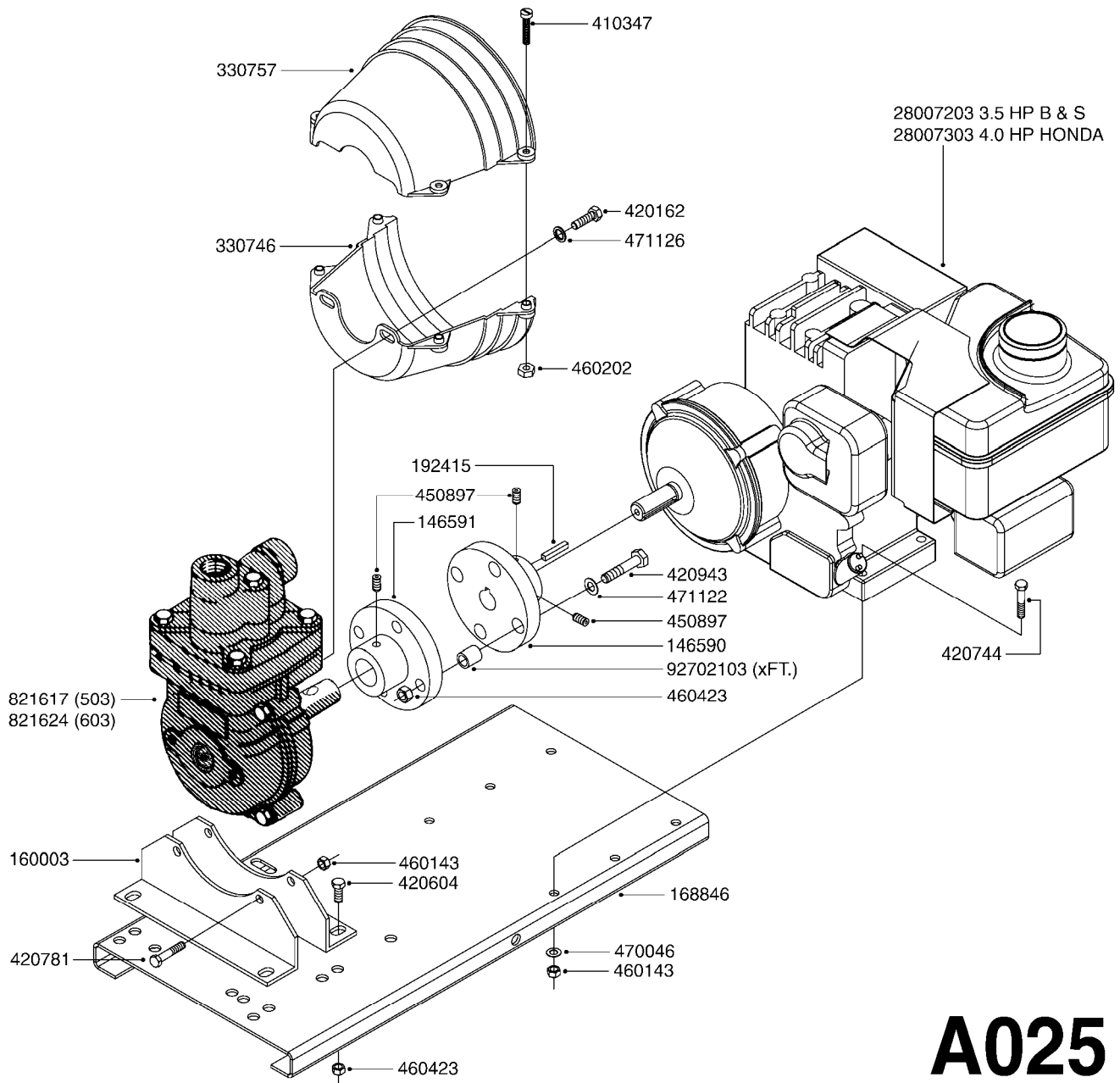
A020



PUMP - 500/600 W/B&S 3.5 HP
A020-HIN, 20:05:11

Page 1
Date 19.03.2013 9:41

parts-n°	order qty	description
110364	1	VEE BELT PULLEY S-118-1 02 H7
110375	1	VEE BELT PULLEY, S50-1-5/8'H7
161814	1	MOUNT PLATE
161825	1	PUMP BASE
230031	1	ELBOW 3/4' GF92LZ
230042	1	ELBOW 3/4"
230112	1	REDUCING NIPPLE 1"X3/4" GF 246
240225	1	VEE BELT S 34
240236	1	VEE BELT Z 27
284585	1	CLAMP HOSE GEAR 1" MINI 020
320084	1	FITT.DK NUT 1/2" BSP
320095	1	FITT.DK NUT 1" BSP
320305	1	FITT.DK HB 3/4'- 3/4' BSP
320316	1	FITT.DK TEE 3/4" X3/4" X1"BSP
330212	1	O-RING D19/D14X2.4 F.1/2"NUT
330326	1	O-RING D30/D24X2 F.1"NUT
330341	1	FITT.DK HB 1" F. 1" NUT
330687	1	FITT.DK HB 1/2" F. 1/2" NUT
330735	1	O-RING D30/D26X2
334531	1	CLAMP HOSE PLASTIC 3/4"
334534	1	CLAMP HOSE PLASTIC 1/2"
410185	1	BOLT HEX 8.8 DEL M6X16
420641	1	BOLT HEX 8.8 DEL M8X35
450052	1	SCREW SET M8X10 BLACK ALLAN
450133	1	SCREW SET M6X10 BLACK ALLAN
460261	1	NUT HEX M6X1 LOCK
460364	1	NUT HEX M8 GALV.
460423	1	NUT HEX M10X1.5 LOCK
471126	1	WASHER D16/D8.4X1.6 SS
612662	1	GUARD FOR 321 PUMP UNIT GAS
703032	1	SUCTION AIR BOTTLE 3/4" COMPL.
716811	1	GUARD
821618	1	PUMP 503/4 800RPM
821625	1	PUMP 603/4 800RPM
841035	1	OPER.UNIT BRASS F. 600 GAS MTR
845014	1	AIR BOTTLE COMPLETE HJ73
845095	1	FILTER COMPLETE
10160703	1	ENG.B&S 3.5HP 91202-1017-E1
28026203	1	GAUGE 200PSI/BR, 2.5"1/4BSP-BTM
92702103	1	HOSE R X1/2" X300PSI WP X0012"
92702403	1	HOSE PVC SUCT GRAY 1"
92703203	1	HOSE R X3/4" X300PSI WP X0012"





PUMP - 503/603 W/DIRECT DRIVE
A025-HIN, 06:10:10

Page 1

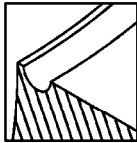
Date 19.03.2013 9:41

parts-n°	order qty	description
146590	1	COUPLING F. ENGINE DIRECT DRIV
146591	1	COUPLING F.PUMP DIRECT DRIVE
160003	1	PUMP MOUNT PLATE TALL 500/600
168846	1	BASE PLATE F.DIRECT DRIVE UNIT
192415	1	KEY 3/16' X 38 BS NO. 91539
330746	1	GUARD PTO LOWER PART
330757	1	GUARD PTO UPPER PART
410347	1	SCREW M6X20 8.8
420162	1	BOLT HEX 8.8 DEL 3/8"x15MM
420604	1	BOLT HEX 8.8 DEL M10X25 FT
420744	1	BOLT HEX 8.8 DEL M8X40
420781	1	BOLT HEX 8.8 DEL M8X50
420943	1	BOLT HEX 8.8 DEL M10X50
450897	1	SCREW SET M8 x 12
460143	1	NUT HEX M8 LOCK
460202	1	NUT HEX M6
460423	1	NUT HEX M10X1.5 LOCK
470046	1	WASHER D18D11X1 LOCK
471122	1	WASHER D20/D10.5X2 SS
471126	1	WASHER D16/D8.4X1.6 SS
821617	1	PUMP 503/7 W FOOT TAPERED SHAF
821624	1	PUMP 603/7 W. FOOT
28007203	1	ENG.B&S 3.5HP 6:1 REDUCT. RED
28007303	1	ENG.HONDA 4.0HP 6:1 REDUCT.
92702103	1	HOSE R X1/2" X300PSI WP X0012"



Housing for Black Diaphragm-

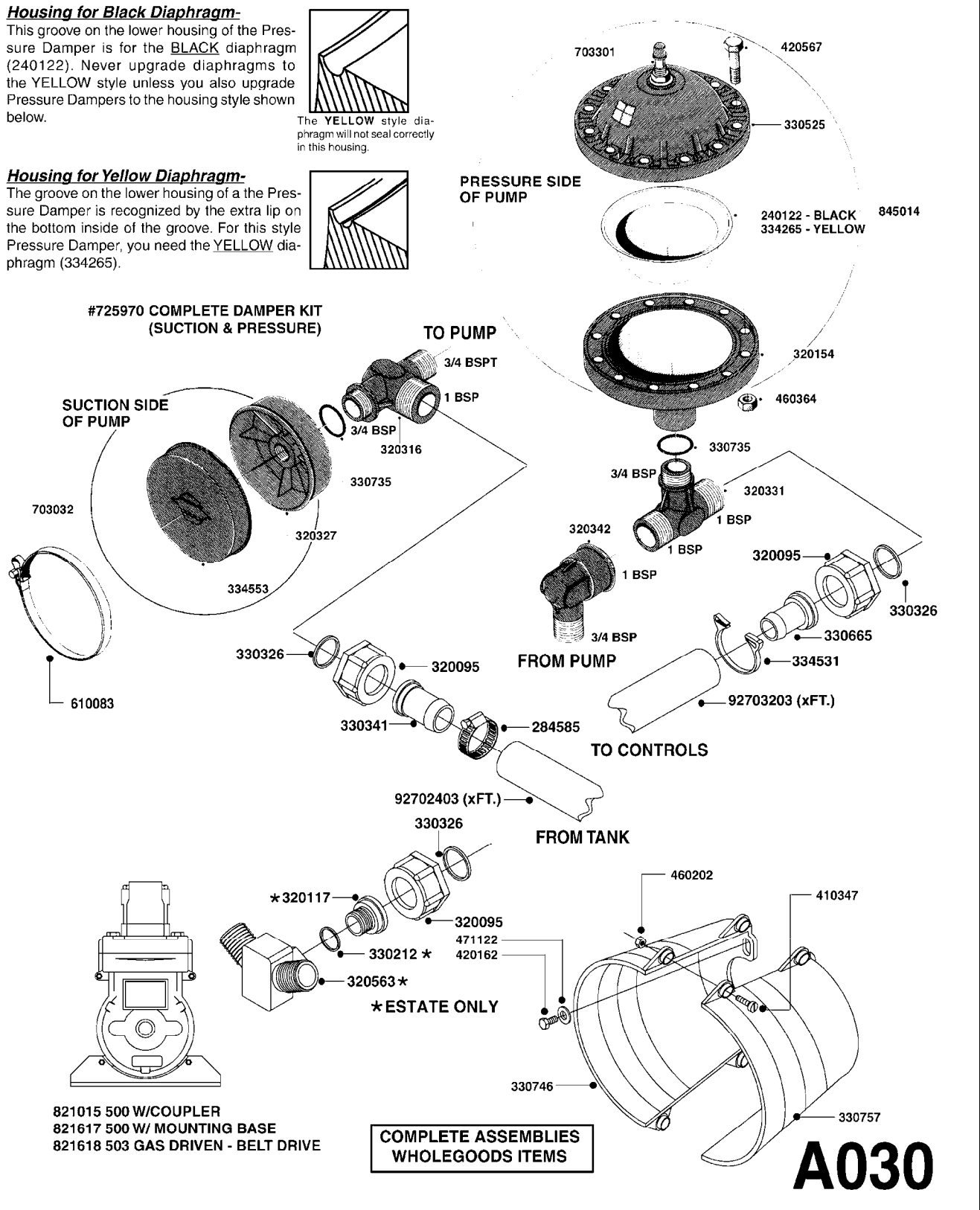
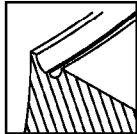
This groove on the lower housing of the Pressure Damper is for the **BLACK** diaphragm (240122). Never upgrade diaphragms to the **YELLOW** style unless you also upgrade Pressure Dampers to the housing style shown below.



The **YELLOW** style diaphragm will not seal correctly in this housing.

Housing for Yellow Diaphragm-

The groove on the lower housing of a the Pressure Damper is recognized by the extra lip on the bottom inside of the groove. For this style Pressure Damper, you need the **YELLOW** diaphragm (334265).



821015 500 W/COUPLER
821617 500 W/ MOUNTING BASE
821618 503 GAS DRIVEN - BELT DRIVE

**COMPLETE ASSEMBLIES
WHOLEGOODS ITEMS**

A030



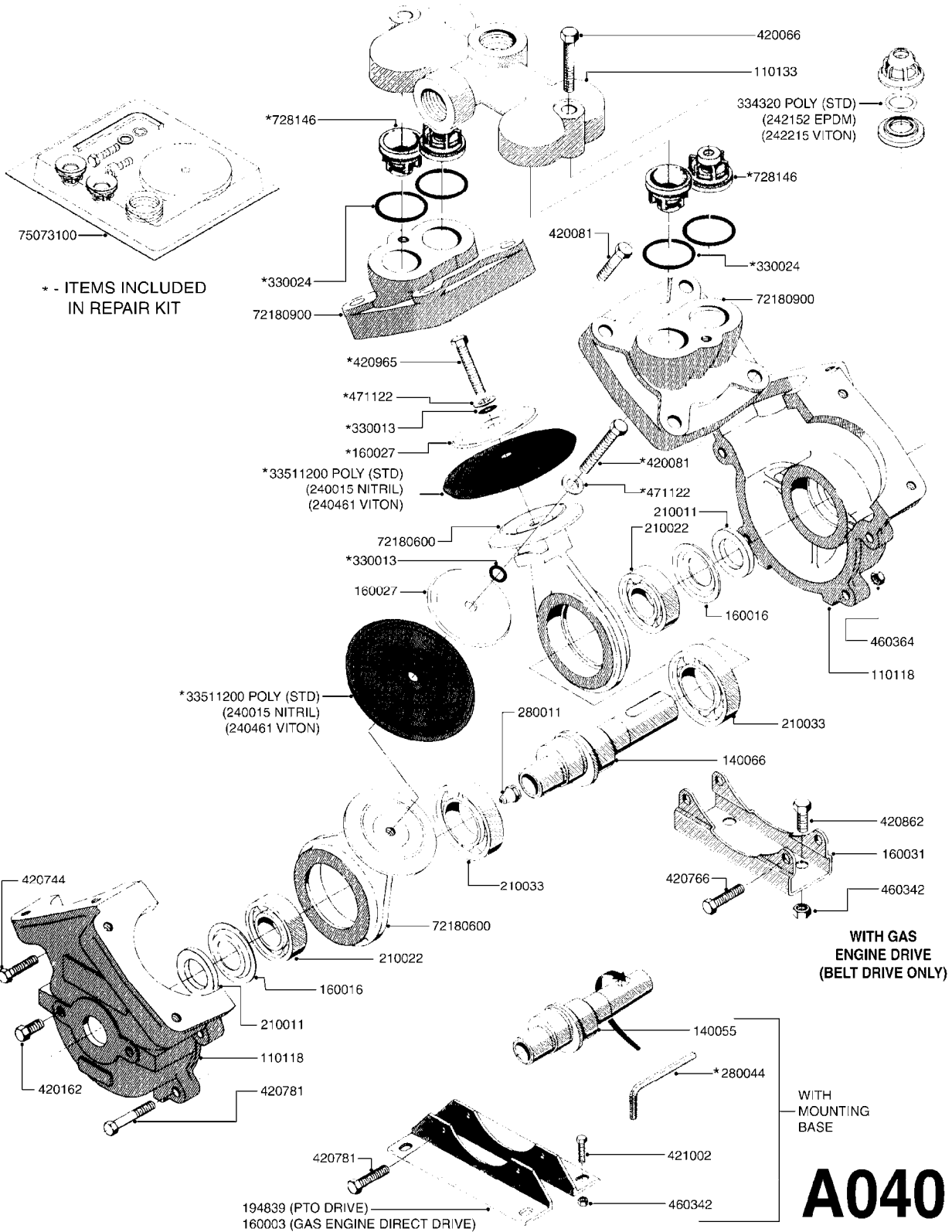
PUMP - 500 FITTINGS
A030-HIN, 23:05:11

Page 1
Date 19.03.2013 9:41

parts-n°	order qty	description
240122	1	DIAPHRAGM FOR PRES.DAMP.(EPDM)
284585	1	CLAMP HOSE GEAR 1" MINI 020
320095	1	FITT.DK NUT 1" BSP
320117	1	FITT.DK CONN.1/2"BSP F. 1" CAP
320154	1	AIR BOTTLE, BOTTOM PART
320316	1	FITT.DK TEE 3/4" X3/4" X1"BSP
320327	1	HOUSING F. SUCTION AIR BOTTLE
320331	1	FITT.DK TEE 1" - 1" - 3/4" BSP
320342	1	FITT.DK EL 3/4"M X 1"F BSP
320563	1	FITT.DK 3 WAY 1/2" 110 DEG.
330212	1	O-RING D19/D14X2.4 F.1/2"NUT
330326	1	O-RING D30/D24X2 F.1"NUT
330341	1	FITT.DK HB 1" F. 1" NUT
330525	1	AIR BOTTLE, TOP HALF
330665	1	FITT.DK HB 3/4"F.1" NUT
330735	1	O-RING D30/D26X2
330746	1	GUARD PTO LOWER PART
330757	1	GUARD PTO UPPER PART
334265	1	DIAPHRAGM F. PRESS DAMP.NITRIL
334531	1	CLAMP HOSE PLASTIC 3/4"
334553	1	DIAPHRAGM F.SUCTION AIR BOTTLE
410347	1	SCREW M6X20 8.8
420162	1	BOLT HEX 8.8 DEL 3/8"x15MM
420567	1	BOLT HEX 8.8 DEL M8X30 FT
460202	1	NUT HEX M6
460364	1	NUT HEX M8 GALV.
471122	1	WASHER D20/D10.5X2 SS
610083	1	RET. BAND FOR SUCT. AIR BOTTLE
703032	1	SUCTION AIR BOTTLE 3/4" COMPL.
703301	1	VALVE FOR AIR BOTTLE
725970	1	DAMPER KIT 600
821015	1	PUMP 500 W COUPLER
821617	1	PUMP 503/7 W FOOT TAPERED SHAF
821618	1	PUMP 503/4 800RPM
845014	1	AIR BOTTLE COMPLETE HJ73
92702403	1	HOSE PVC SUCT GRAY 1"
92703203	1	HOSE R X3/4" X300PSI WP X0012"



PUMP - 600
A040-HIN, 06:10:10

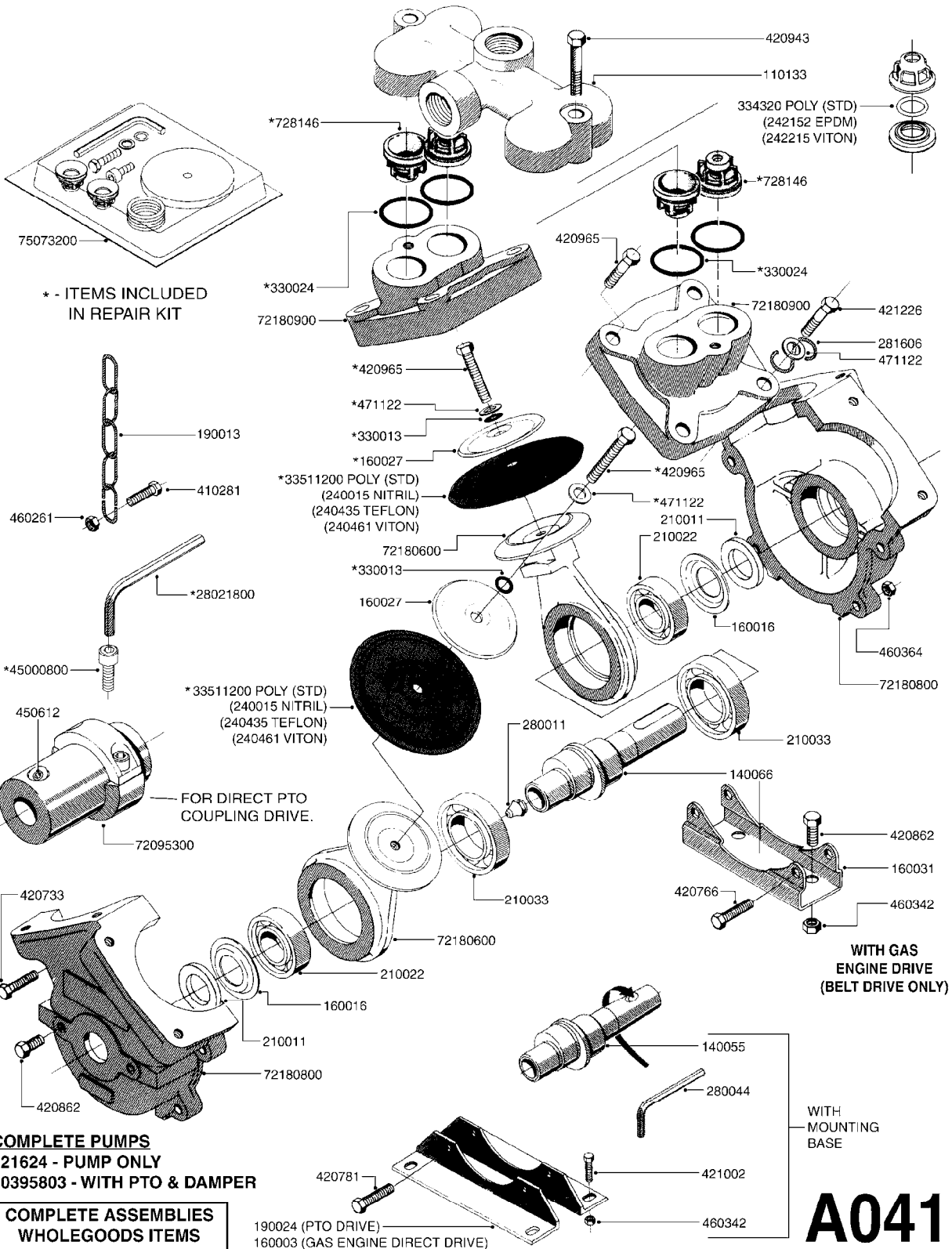




PUMP - 600
A040-HIN, 06:10:10

Page 1
Date 19.03.2013 9:41

parts-n°	order qty	description
110118	1	PUMP CASTING 600
110133	1	VALVE CHAMBER MOD 600 PAINTED
140055	1	CRANK SHAFT, MODEL 600
140066	1	CRANK SHAFT, MODEL 600/4
160003	1	PUMP MOUNT PLATE TALL 500/600
160016	1	DUST PLATE
160027	1	DIAPHRAGM UPPER DISC 500-600
160031	1	BASE PLATE MODEL 500-600
194839	1	ANGLE IRON FOOT, M 500-600 RED
210011	1	SEAL FELT D39/23 X 4
210022	1	BEARING BALL 6205
210033	1	BEARING BALL 6007
240015	1	DIAPHRAGM MODEL 500-600 NITRIL
240461	1	DIAPHRAGM MODEL 500-600 VITON
242152	1	O-RING D18.2X3 EPDM
242215	1	O-RING D18X3 VITON
280011	1	GREASE NIPPLE 1/8' H TR
280044	1	KEY HEXAGON W6 3/16'
330013	1	O-RING D15/D10X2.5 F.3/8"NUT
330024	1	O-RING D41,1/D34.5 X 3,5
334320	1	O-RING D18X3 POLYURETHANE
420066	1	BOLT HEX 8.8 DEL 3/8"X50MM
420081	1	BOLT HEX 8.8 DEL 3/8"X40MM
420162	1	BOLT HEX 8.8 DEL 3/8"x15MM
420744	1	BOLT HEX 8.8 DEL M8X40
420766	1	BOLT HEX 8.8 DEL M8X45
420781	1	BOLT HEX 8.8 DEL M8X50
420862	1	BOLT HEX 8.8 DEL M10X16 FT
420965	1	BOLT HEX 8.8 DEL M10X40
421002	1	BOLT HEX 8.8 DEL M10X30 FT
460342	1	NUT HEX M10
460364	1	NUT HEX M8 GALV.
471122	1	WASHER D20/D10.5X2 SS
728146	1	VALVE FOR 361(726890/707932)
33511200	1	DIAPHRAGM 503/603 PUR 2006
72180600	1	CONNECTING ROD FOR 503-603 M10
72180900	1	DIAPHRAGM COVER MOD. 600
75073100	1	PUMP KIT F.600



COMPLETE PUMPS
821624 - PUMP ONLY
10395803 - WITH PTO & DAMPER

COMPLETE ASSEMBLIES
WHOLEGOODS ITEMS

A041



PUMP - 603
A041-HIN, 01:11:11

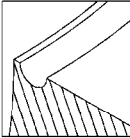
Page 1
Date 19.03.2013 9:41

parts-n°	order qty	description
110133	1	VALVE CHAMBER MOD 600 PAINTED
140055	1	CRANK SHAFT, MODEL 600
140066	1	CRANK SHAFT, MODEL 600/4
160003	1	PUMP MOUNT PLATE TALL 500/600
160016	1	DUST PLATE
160027	1	DIAPHRAGM UPPER DISC 500-600
160031	1	BASE PLATE MODEL 500-600
190013	1	CHAIN 35XL=800
190024	1	ANGLE IRON FOOT, MODEL 500-600
210011	1	SEAL FELT D39/23 X 4
210022	1	BEARING BALL 6205
210033	1	BEARING BALL 6007
240015	1	DIAPHRAGM MODEL 500-600 NITRIL
240435	1	DIAP alts 332021PUR,240015NITR
240461	1	DIAPHRAGM MODEL 500-600 VITON
242152	1	O-RING D18.2X3 EPDM
242215	1	O-RING D18X3 VITON
280011	1	GREASE NIPPLE 1/8' H TR
280044	1	KEY HEXAGON W6 3/16'
281606	1	S-HOOK GALVANIZED
330013	1	O-RING D15/D10X2.5 F.3/8"NUT
330024	1	O-RING D41,1/D34.5 X 3,5
334320	1	O-RING D18X3 POLYURETHANE
410281	1	BOLT HEX 8.8 DEL M6X25
420733	1	BOLT HEX 8.8 DEL M8X40
420766	1	BOLT HEX 8.8 DEL M8X45
420781	1	BOLT HEX 8.8 DEL M8X50
420862	1	BOLT HEX 8.8 DEL M10X16 FT
420943	1	BOLT HEX 8.8 DEL M10X50
420965	1	BOLT HEX 8.8 DEL M10X40
421002	1	BOLT HEX 8.8 DEL M10X30 FT
421226	1	BOLT HEX 8.8 DEL M10X45
450612	1	SCREW M10X16 POINTED
460261	1	NUT HEX M6X1 LOCK
460342	1	NUT HEX M10
460364	1	NUT HEX M8 GALV.
471122	1	WASHER D20/D10.5X2 SS
728146	1	VALVE FOR 361(726890/707932)
821624	1	PUMP 603/7 W. FOOT
10395803	1	PUMP 603 C/W PTO 540 RPM
28021800	1	KEY HEXAGON 8MM FOR M10
33511200	1	DIAPHRAGM 503/603 PUR 2006
45000800	1	BOLT ROUND M10X25
72095300	1	COUPLING 1-3/8' X 25, PAINTED
72180600	1	CONNECTING ROD FOR 503-603 M10
72180800	1	PUMP HOUSING 603 RED W/BOLTS
72180900	1	DIAPHRAGM COVER MOD. 600
75073200	1	PUMP KIT 603mm 06



Housing for Black Diaphragm-

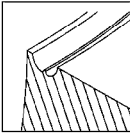
This groove on the lower housing of the Pressure Damper is for the BLACK diaphragm (240122). Never upgrade diaphragms to the YELLOW style unless you also upgrade Pressure Dampers to the housing style shown below.



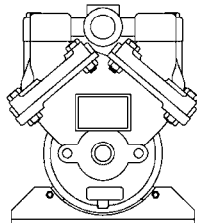
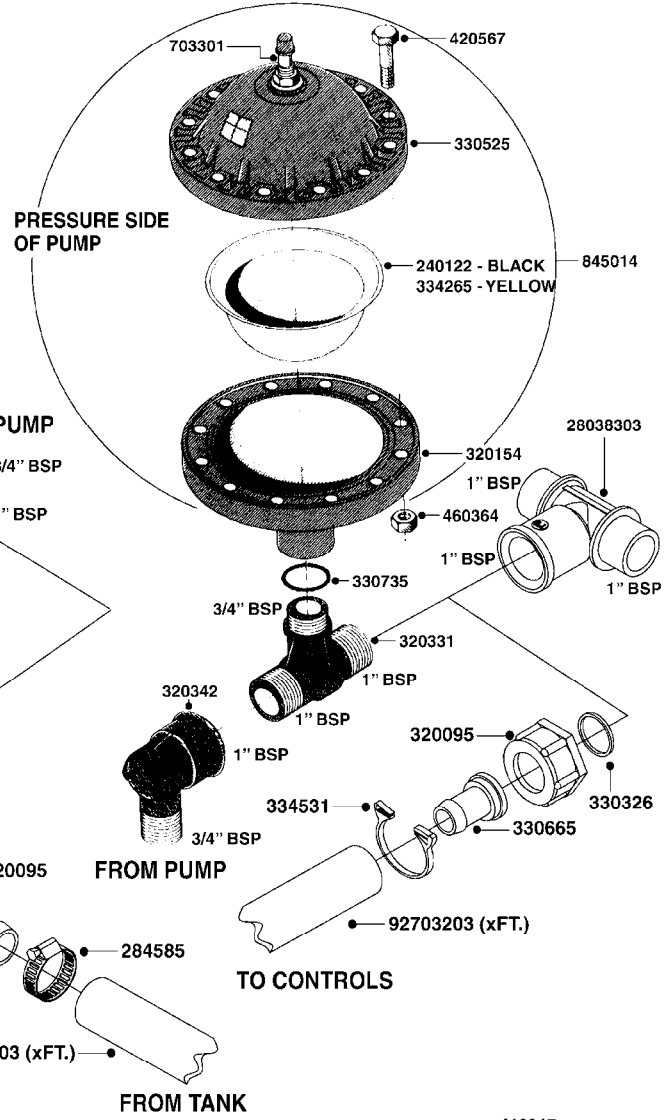
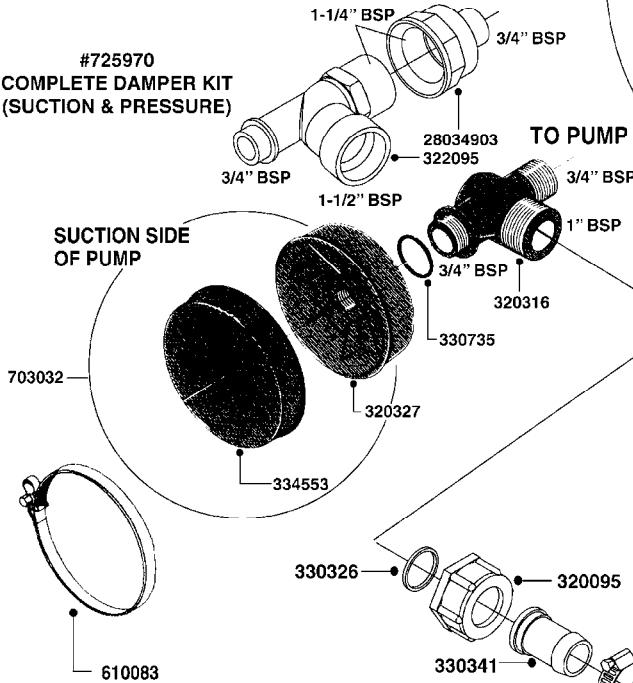
The YELLOW style diaphragm will not seal correctly in this housing.

Housing for Yellow Diaphragm-

The groove on the lower housing of a the Pressure Damper is recognized by the extra lip on the bottom inside of the groove. For this style Pressure Damper, you need the YELLOW diaphragm (334265).



**#725970
COMPLETE DAMPER KIT
(SUCTION & PRESSURE)**



821623 - 600 WITH COUPLER
821624 - 600 W/ MOUNTING BASE
821625 - 600 GAS DRIVEN - BELT DRIVE

COMPLETE ASSEMBLIES
WHOLEGOODS ITEMS

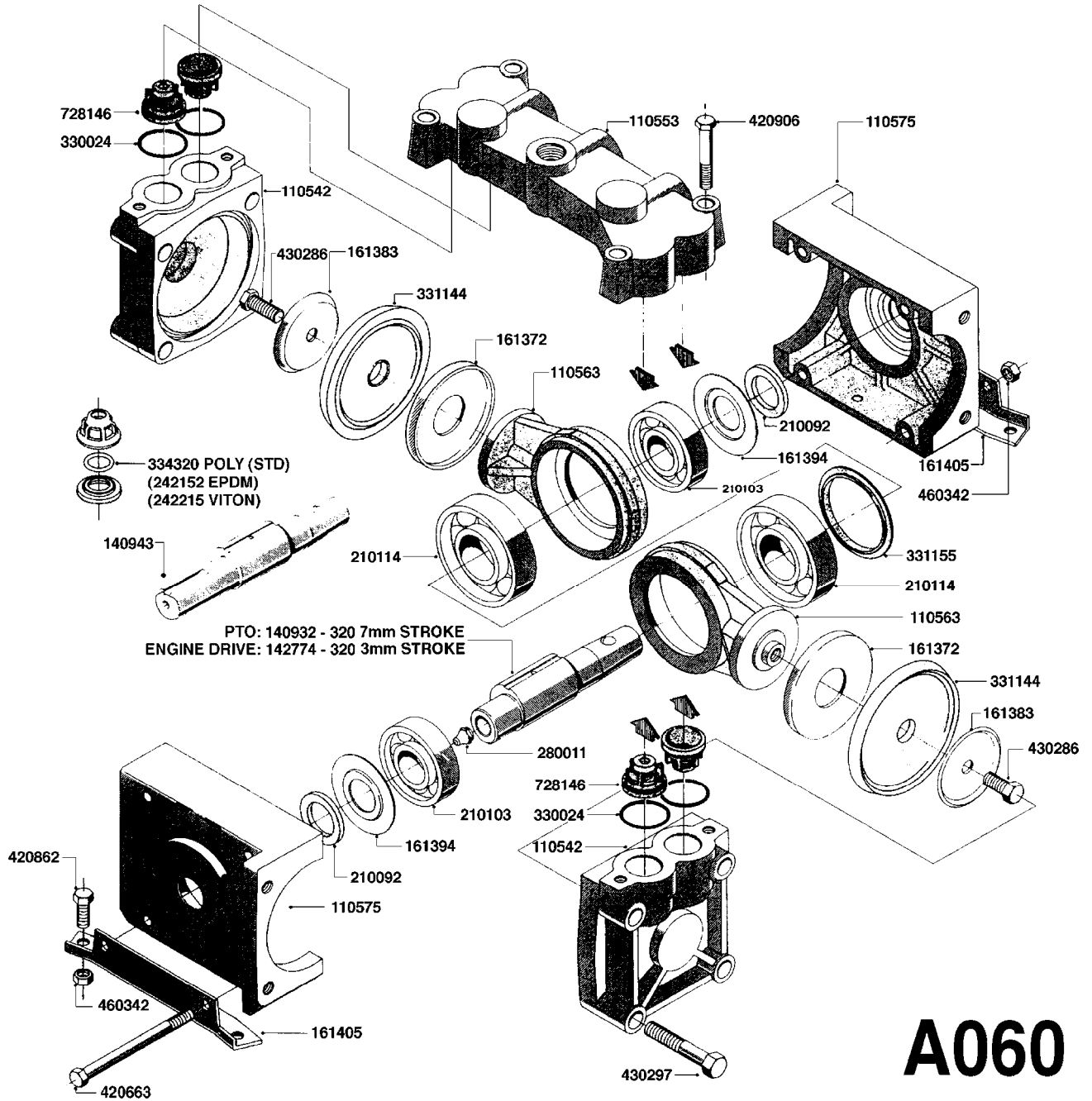
A050



PUMP - 600 FITTINGS
A050-HIN, 16:12:08

Page 1
Date 19.03.2013 9:41

parts-n°	order qty	description
240122	1	DIAPHRAGM FOR PRES.DAMP.(EPDM)
284585	1	CLAMP HOSE GEAR 1" MINI 020
320095	1	FITT.DK NUT 1" BSP
320154	1	AIR BOTTLE, BOTTOM PART
320316	1	FITT.DK TEE 3/4" X3/4" X1"BSP
320327	1	HOUSING F. SUCTION AIR BOTTLE
320331	1	FITT.DK TEE 1" - 1" - 3/4" BSP
320342	1	FITT.DK EL 3/4"M X 1"F BSP
322095	1	FITT.DK TEE 1-1/2 X1 X3/4" BSP
330326	1	O-RING D30/D24X2 F.1"NUT
330341	1	FITT.DK HB 1" F. 1" NUT
330525	1	AIR BOTTLE, TOP HALF
330665	1	FITT.DK HB 3/4"F.1" NUT
330735	1	O-RING D30/D26X2
330746	1	GUARD PTO LOWER PART
330757	1	GUARD PTO UPPER PART
334265	1	DIAPHRAGM F. PRESS DAMP.NITRIL
334531	1	CLAMP HOSE PLASTIC 3/4"
334553	1	DIAPHRAGM F.SUCTION AIR BOTTLE
410347	1	SCREW M6X20 8.8
420162	1	BOLT HEX 8.8 DEL 3/8"x15MM
420567	1	BOLT HEX 8.8 DEL M8X30 FT
460202	1	NUT HEX M6
460364	1	NUT HEX M8 GALV.
471122	1	WASHER D20/D10.5X2 SS
610083	1	RET. BAND FOR SUCT. AIR BOTTLE
703032	1	SUCTION AIR BOTTLE 3/4" COMPL.
703301	1	VALVE FOR AIR BOTTLE
725970	1	DAMPER KIT 600
821623	1	PUMP 603/7 W COUPLING
821624	1	PUMP 603/7 W. FOOT
821625	1	PUMP 603/4 800RPM
845014	1	AIR BOTTLE COMPLETE HJ73
28034903	1	FITTING, REDUCER, 1-1/4"-3/4"
28038303	1	FITTING, TEE 2X1"BSPM/1"BSPF
92702403	1	HOSE PVC SUCT GRAY 1"
92703203	1	HOSE R X3/4" X300PSI WP X0012"

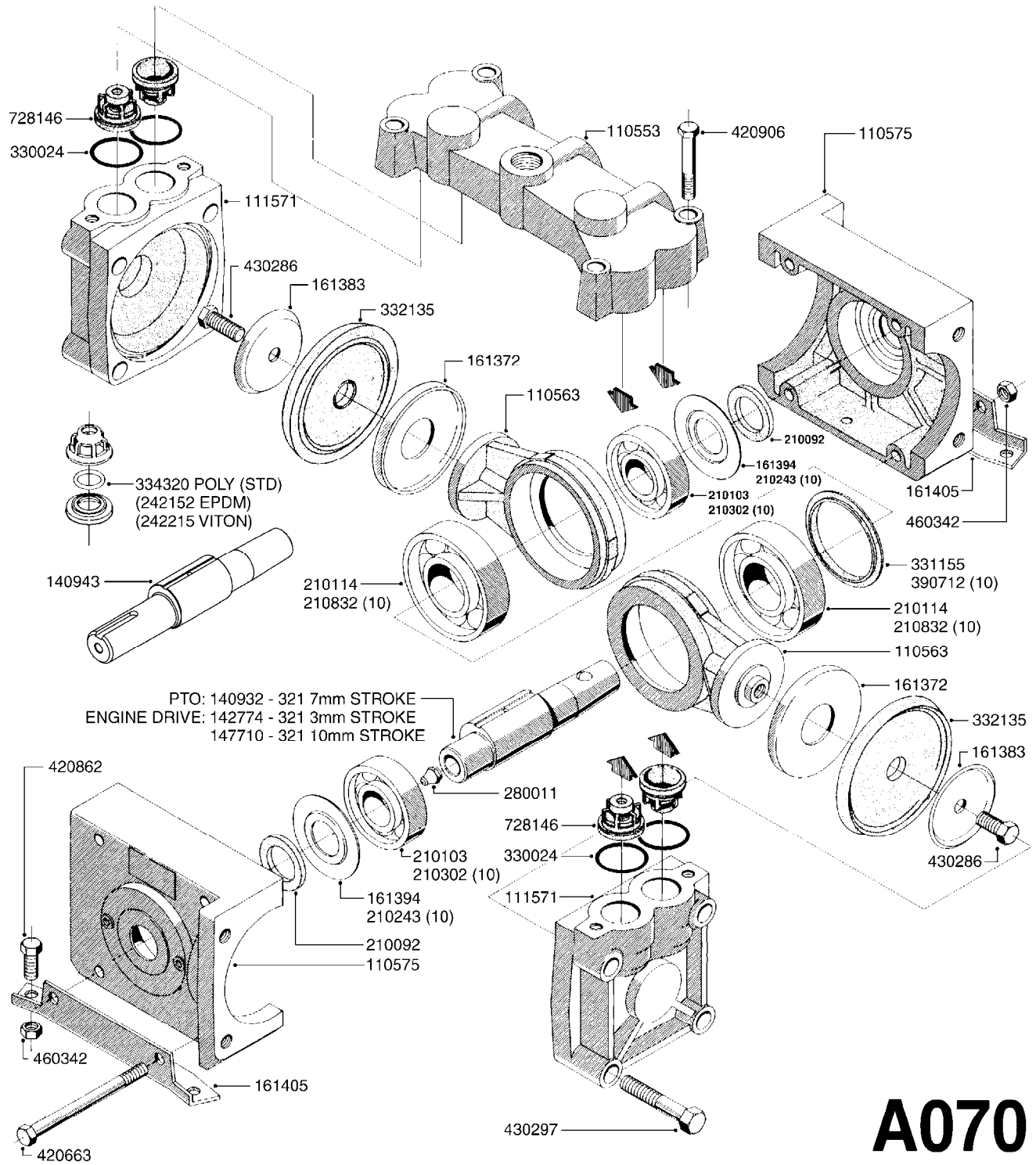




PUMP - 320 W/MOUNTING BASE
A060-HIN, 01:01:01

Page 1
Date 19.03.2013 9:41

parts-n°	order qty	description
110542	1	DIAPHRAGM COVER MODEL 320
110553	1	VALVE COVER MDL 320 PAINTED
110563	1	CONNECTING ROD MODEL 320
110575	1	PUMP CASING 320
140932	1	CRANK SHAFT 320/7
140943	1	CRANK SHAFT MODEL 320-25F
142774	1	CRANK SHAFT 320/3
161372	1	DIAPHRAGM BACKING DISC, 320-361
161383	1	DIAPHRAGM UPPER DISC, 320-361
161394	1	DUST PLATE, MODEL 320
161405	1	FOOT 320
210092	1	SEAL FELT D43/30X5
210103	1	BEARING BALL 6306
210114	1	BEARING BALL 6308
242152	1	O-RING D18.2X3 EPDM
242215	1	O-RING D18X3 VITON
280011	1	GREASE NIPPLE 1/8" H TR
330024	1	O-RING D41,1/D34.5 X 3,5
331144	1	DIAPHRAGM MODEL 320
331155	1	SPACER, MODEL 320
334320	1	O-RING D18X3 POLYURETHANE
420663	1	BOLT HEX 8.8 DEL M10X120
420862	1	BOLT HEX 8.8 DEL M10X16 FT
420906	1	BOLT HEX 8.8 DEL M10X60
430286	1	BOLT HEX 8.8 DEL M12X30 FT
430297	1	BOLT HEX 8.8 RAW M14X65
460342	1	NUT HEX M10
728146	1	VALVE FOR 361 (726890/707932)



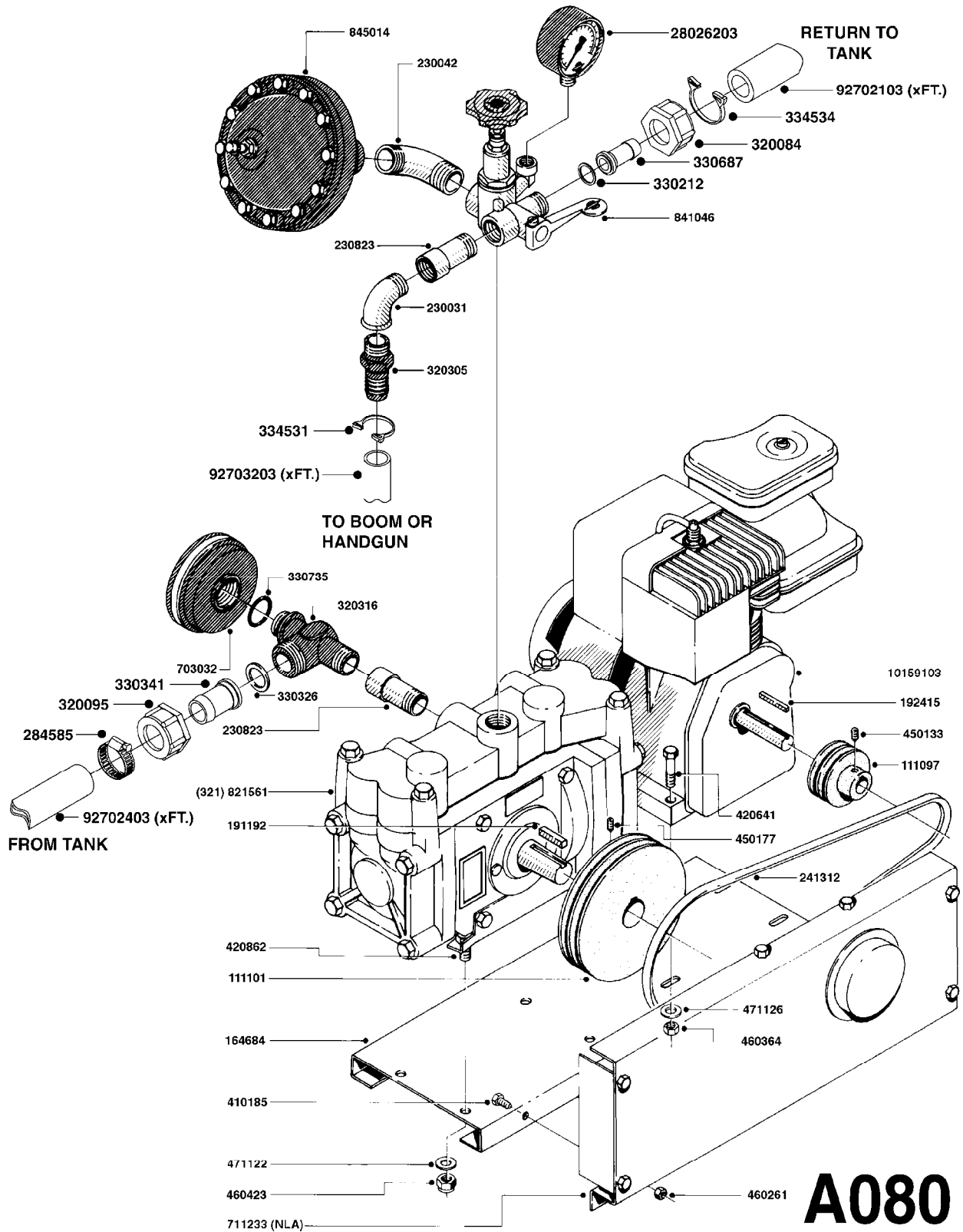
A070



PUMP - 321 W/MOUNTING BASE
A070-HIN, 07:10:10

Page 1
Date 19.03.2013 9:41

parts-n°	order qty	description
110553	1	VALVE COVER MDL 320 PAINTED
110563	1	CONNECTING ROD MODEL 320
110575	1	PUMP CASING 320
111571	1	DIAPHRAGM COVER MODEL 321 PAIN
140932	1	CRANK SHAFT 320/7
140943	1	CRANK SHAFT MODEL 320-25F
142774	1	CRANK SHAFT 320/3
147710	1	CRANK SHAFT 321/10 GG 540
161372	1	DIAPHRAGM BACKING DISC,320-361
161383	1	DIAPHRAGM UPPER DISC, 320-361
161394	1	DUST PLATE, MODEL 320
161405	1	FOOT 320
210092	1	SEAL FELT D43/30X5
210103	1	BEARING BALL 6306
210114	1	BEARING BALL 6308
210243	1	SEAL OIL 35 X 47 X 7
210302	1	BALL BEARING 6207
210832	1	BALL BEARING 90/50X23 NU2210
242152	1	O-RING D18.2X3 EPDM
242215	1	O-RING D18X3 VITON
280011	1	GREASE NIPPLE 1/8' H TR
330024	1	O-RING D41,1/D34.5 X 3,5
331155	1	SPACER, MODEL 320
332135	1	DIAPHRAGM, POLY alt 33511400
334320	1	O-RING D18X3 POLYURETHANE
390712	1	SPACER RING D84.5/66X2 (P321)
420663	1	BOLT HEX 8.8 DEL M10X120
420862	1	BOLT HEX 8.8 DEL M10X16 FT
420906	1	BOLT HEX 8.8 DEL M10X60
430286	1	BOLT HEX 8.8 DEL M12X30 FT
430297	1	BOLT HEX 8.8 RAW M14X65
460342	1	NUT HEX M10
728146	1	VALVE FOR 361 (726890/707932)



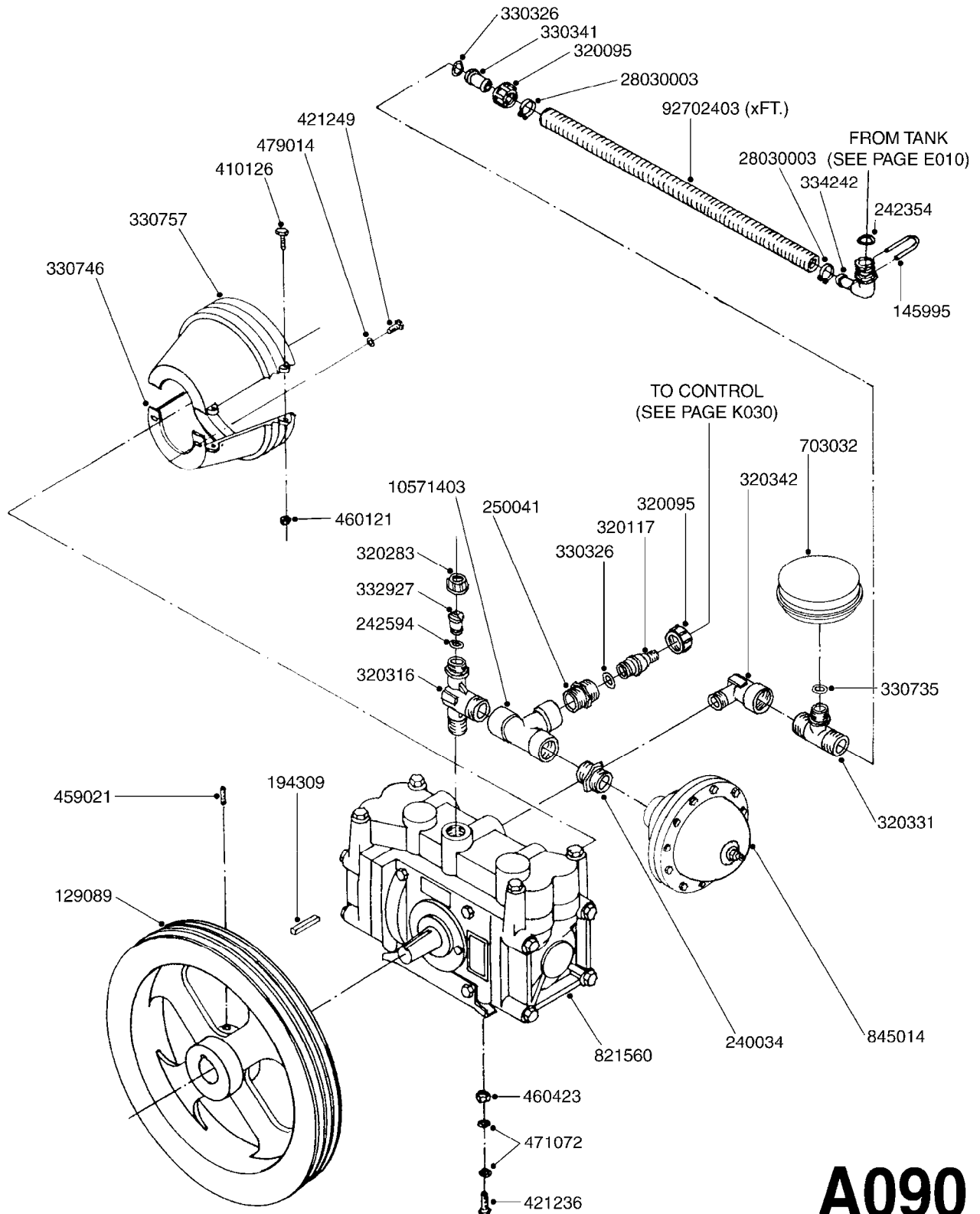
A080



PUMP - 321 W/ B&S 5 HP
A080-HIN, 20:05:11

Page 1
Date 19.03.2013 9:41

parts-n°	order qty	description
111097	1	VEE BELT PULLEY SPZ 50-2-3/4H7
111101	1	VEE BELT PULLEY SPZ 150-2-30H7
164684	1	MOUNT PLATE UNIT 320 5HP
191192	1	KEY 8 X 7 X 35
192415	1	KEY 3/16' X 38 BS NO. 91539
230031	1	ELBOW 3/4' GF92LZ
230042	1	ELBOW 3/4"
230823	1	BUSHING EXTENSION 3/4' - 60MM
241312	1	VEE BELT SPZ 850
284585	1	CLAMP HOSE GEAR 1" MINI 020
320084	1	FITT.DK NUT 1/2" BSP
320095	1	FITT.DK NUT 1" BSP
320305	1	FITT.DK HB 3/4' - 3/4' BSP
320316	1	FITT.DK TEE 3/4" X3/4" X1"BSP
330212	1	O-RING D19/D14X2.4 F.1/2"NUT
330326	1	O-RING D30/D24X2 F.1"NUT
330341	1	FITT.DK HB 1" F. 1" NUT
330687	1	FITT.DK HB 1/2" F. 1/2" NUT
330735	1	O-RING D30/D26X2
334531	1	CLAMP HOSE PLASTIC 3/4"
334534	1	CLAMP HOSE PLASTIC 1/2"
410185	1	BOLT HEX 8.8 DEL M6X16
420641	1	BOLT HEX 8.8 DEL M8X35
420862	1	BOLT HEX 8.8 DEL M10X16 FT
450133	1	SCREW SET M6X10 BLACK ALLAN
450177	1	SCREW SET M8X20 BLACK ALLAN
460261	1	NUT HEX M6X1 LOCK
460364	1	NUT HEX M8 GALV.
460423	1	NUT HEX M10X1.5 LOCK
471122	1	WASHER D20/D10.5X2 SS
471126	1	WASHER D16/D8.4X1.6 SS
703032	1	SUCTION AIR BOTTLE 3/4" COMPL.
711233	1	GUARD ASSY. F. 320 B&S
821561	1	PUMP 321/3MM STROKE 25 BAR
841046	1	OP.UN.600 BRS.HT
845014	1	AIR BOTTLE COMPLETE HJ73
10159103	1	ENG.B&S 5HP A135232
28026203	1	GAUGE 200PSI/BR,2.5"1/4BSP-BTM
92702103	1	HOSE R X1/2" X300PSI WP X0012"
92702403	1	HOSE PVC SUCT GRAY 1"
92703203	1	HOSE R X3/4" X300PSI WP X0012"



A090

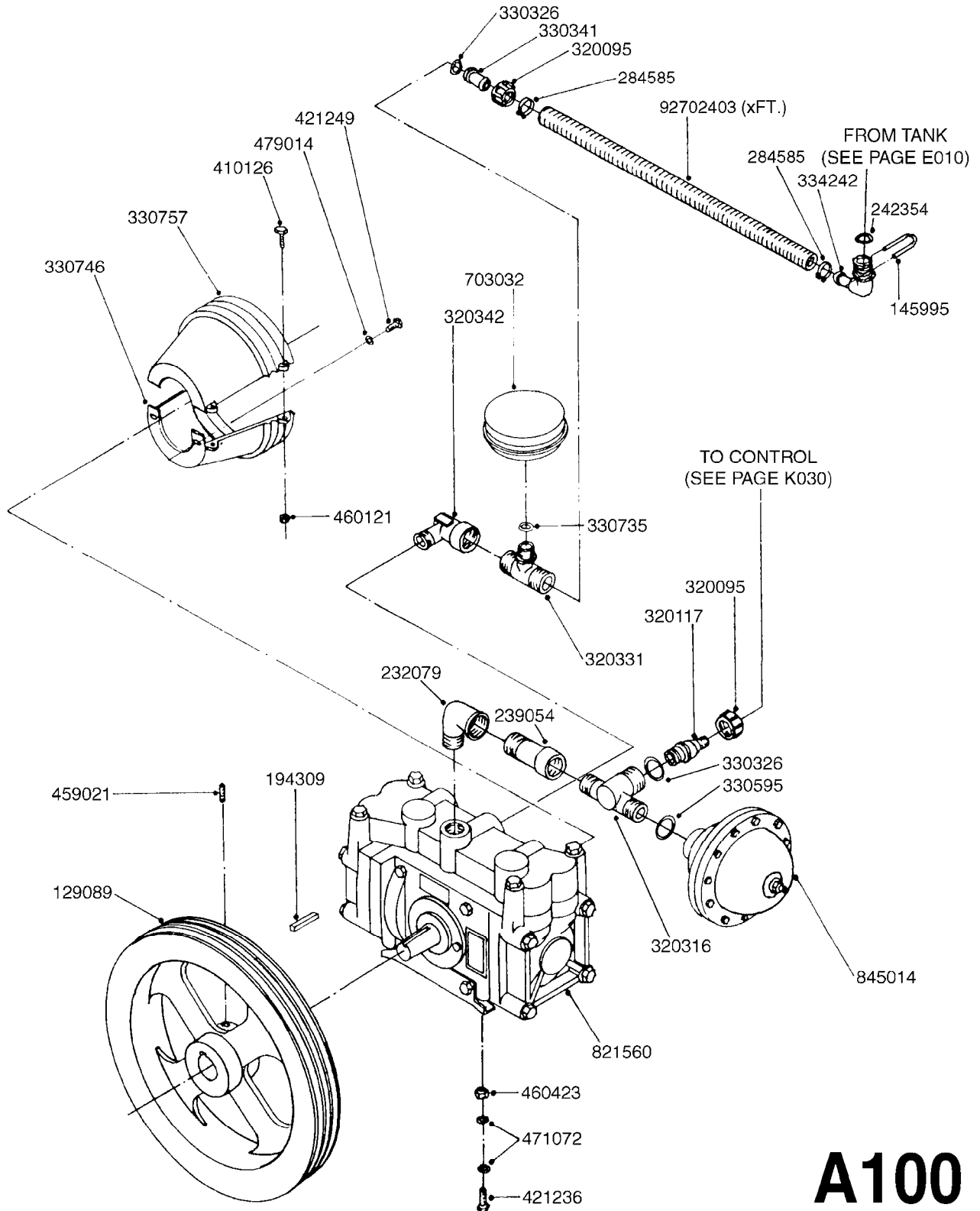


PUMP - 321 F. LB 50 - PRE '99
A090-HIN, 06:09:11

Page 1

Date 19.03.2013 9:41

parts-n°	order qty	description
129089	1	PULLEY F.PUMP LB50
145995	1	FITT.DK S-53 FORK
194309	1	KEY 8 X 7 X 40
240034	1	FITT.DK HR 1'X 3/4'BSP ARAG
242354	1	O-RING D32.2X3.0 VITON F.S-53
242594	1	O-RING D14 X 1.78 SCH.70-EPDM
250041	1	FITT.DK HN 1'BSP ARAG
320095	1	FITT.DK NUT 1" BSP
320117	1	FITT.DK CONN.1/2"BSP F. 1" CAP
320283	1	FITT.DK NUT 3/4"BSP
320316	1	FITT.DK TEE 3/4" X3/4" X1"BSP
320331	1	FITT.DK TEE 1" - 1" - 3/4" BSP
320342	1	FITT.DK EL 3/4"M X 1"F BSP
330326	1	O-RING D30/D24X2 F.1"NUT
330341	1	FITT.DK HB 1" F. 1" NUT
330735	1	O-RING D30/D26X2
330746	1	GUARD PTO LOWER PART
330757	1	GUARD PTO UPPER PART
332927	1	FITT.DK PL.F. NOZZLE TUBE
334242	1	FITT.DK S-53 ELB.1"
410126	1	SCREW 1/4"X3/4" GALV.
421236	1	BOLT HEX M10X25 GALV.
421249	1	BOLT HEX M6X15
459021	1	DOWEL ALLEN M8X20
460121	1	NUT 1/4" GALV.
460423	1	NUT HEX M10X1.5 LOCK
471072	1	WASHER M10 EL2
479014	1	WASHER D.5 STAINLESS
703032	1	SUCTION AIR BOTTLE 3/4" COMPL.
821560	1	PUMP 321/7MM 25 BAR THROUGH SH
845014	1	AIR BOTTLE COMPLETE HJ73
10571403	1	FITT.PO.TEE 1"x1"x1"NPT ARAG
28030003	1	CLAMP HOSE GEAR P1" 6716
92702403	1	HOSE PVC SUCT GRAY 1"



A100

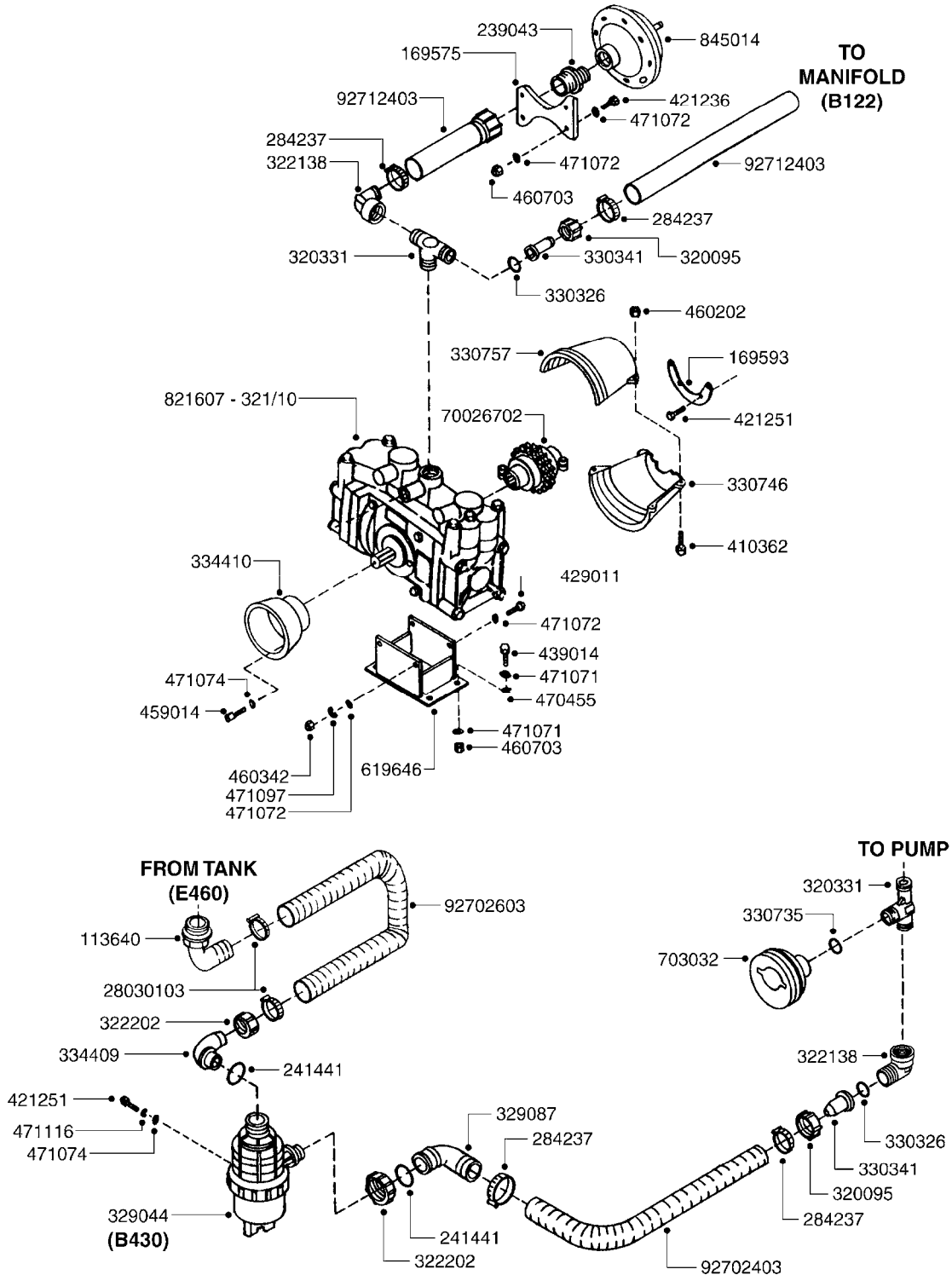


PUMP - 321 F.LB 50 - POST '99
A100-HIN, 07:09:11

Page 1

Date 19.03.2013 9:41

parts-n°	order qty	description
129089	1	PULLEY F.PUMP LB50
145995	1	FITT.DK S-53 FORK
194309	1	KEY 8 X 7 X 40
232079	1	ELBOW 3/4" BRASS
239054	1	EXTENSION 3/4"BSP 2" (016305)
242354	1	O-RING D32.2X3.0 VITON F.S-53
284585	1	CLAMP HOSE GEAR 1" MINI 020
320095	1	FITT.DK NUT 1" BSP
320117	1	FITT.DK CONN.1/2"BSP F. 1" CAP
320316	1	FITT.DK TEE 3/4" X3/4" X1"BSP
320331	1	FITT.DK TEE 1" - 1" - 3/4" BSP
320342	1	FITT.DK EL 3/4"M X 1"F BSP
330326	1	O-RING D30/D24X2 F.1"NUT
330341	1	FITT.DK HB 1" F. 1" NUT
330595	1	O-RING D24.6/D20X2.1 -3/4"
330735	1	O-RING D30/D26X2
330746	1	GUARD PTO LOWER PART
330757	1	GUARD PTO UPPER PART
334242	1	FITT.DK S-53 ELB.1"
410126	1	SCREW 1/4"X3/4" GALV.
421236	1	BOLT HEX M10X25 GALV.
421249	1	BOLT HEX M6X15
459021	1	DOWEL ALLEN M8X20
460121	1	NUT 1/4" GALV.
460423	1	NUT HEX M10X1.5 LOCK
471072	1	WASHER M10 EL2
479014	1	WASHER D.5 STAINLESS
703032	1	SUCTION AIR BOTTLE 3/4" COMPL.
821560	1	PUMP 321/7MM 25 BAR THROUGH SH
845014	1	AIR BOTTLE COMPLETE HJ73
92702403	1	HOSE PVC SUCT GRAY 1"



A105



PUMP - 321 F.ZENIT
A105-HIN, 28:11:12

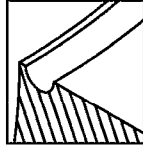
Page 1
Date 19.03.2013 9:41

parts-n°	order qty	description
113640	1	HOSEBARB, BSP, 1-1/2" 90°
169575	1	SUPPORT BRACKET - ZENIT
169593	1	SPACER BRACKET F.PTO SHIELD
239043	1	HEX NIPPLE 1'
241441	1	O-RING D29.3X3
284237	1	CLAMP HOSE GEAR D20/30
320095	1	FITT.DK NUT 1" BSP
320331	1	FITT.DK TEE 1" - 1" - 3/4" BSP
322138	1	FITT.DK ELB 1"M X 1"F BSP
322202	1	NUT ARAG 1-1/2" BSP
329044	1	SUCTION FILTER ASSY. ARAG 1"
329087	1	ELBOW D25, 1-1/2" ARAG
330326	1	O-RING D30/D24X2 F.1"NUT
330341	1	FITT.DK HB 1" F. 1" NUT
330735	1	O-RING D30/D26X2
330746	1	GUARD PTO LOWER PART
330757	1	GUARD PTO UPPER PART
334409	1	BENDING D 40
334410	1	PROTECTION GUARD
410362	1	BOLT HEX 8.8 DEL M6X20 FT
421236	1	BOLT HEX M10X25 GALV.
421251	1	BOLT HEX M8X15
429011	1	BOLT HEX M10X140
439014	1	BOLT HEX 8.8 DEL M12X35
459014	1	ALLEN SCREW M8 X 15 GALV.DIN93
460202	1	NUT HEX M6
460342	1	NUT HEX M10
460703	1	NUT HEX M12X1.75 LOCK
470455	1	WASHER D12 SPRING
471071	1	WASHER M12 GALV
471072	1	WASHER M10 EL2
471074	1	WASHER M8 ELZ
471097	1	WASHER D10 SAFETY
471116	1	WASHER D8 TENSION
619646	1	PUMP MOUNT 321 ZENIT
703032	1	SUCTION AIR BOTTLE 3/4" COMPL.
821607	1	PUMP 321/10-MED-25-GG
845014	1	AIR BOTTLE COMPLETE HJ73
28030103	1	CLAMP HOSE GEAR P5/4-S1.5"6724
70026702	1	CHAIN CLUTCH KIT - ZENIT
92702403	1	HOSE PVC SUCT GRAY 1"
92702603	1	HOSE PVC SUCT GRAY 1-1/2"
92712403	1	HOSE R X1" X300PSI WP X0012"



Housing for Black Diaphragm-

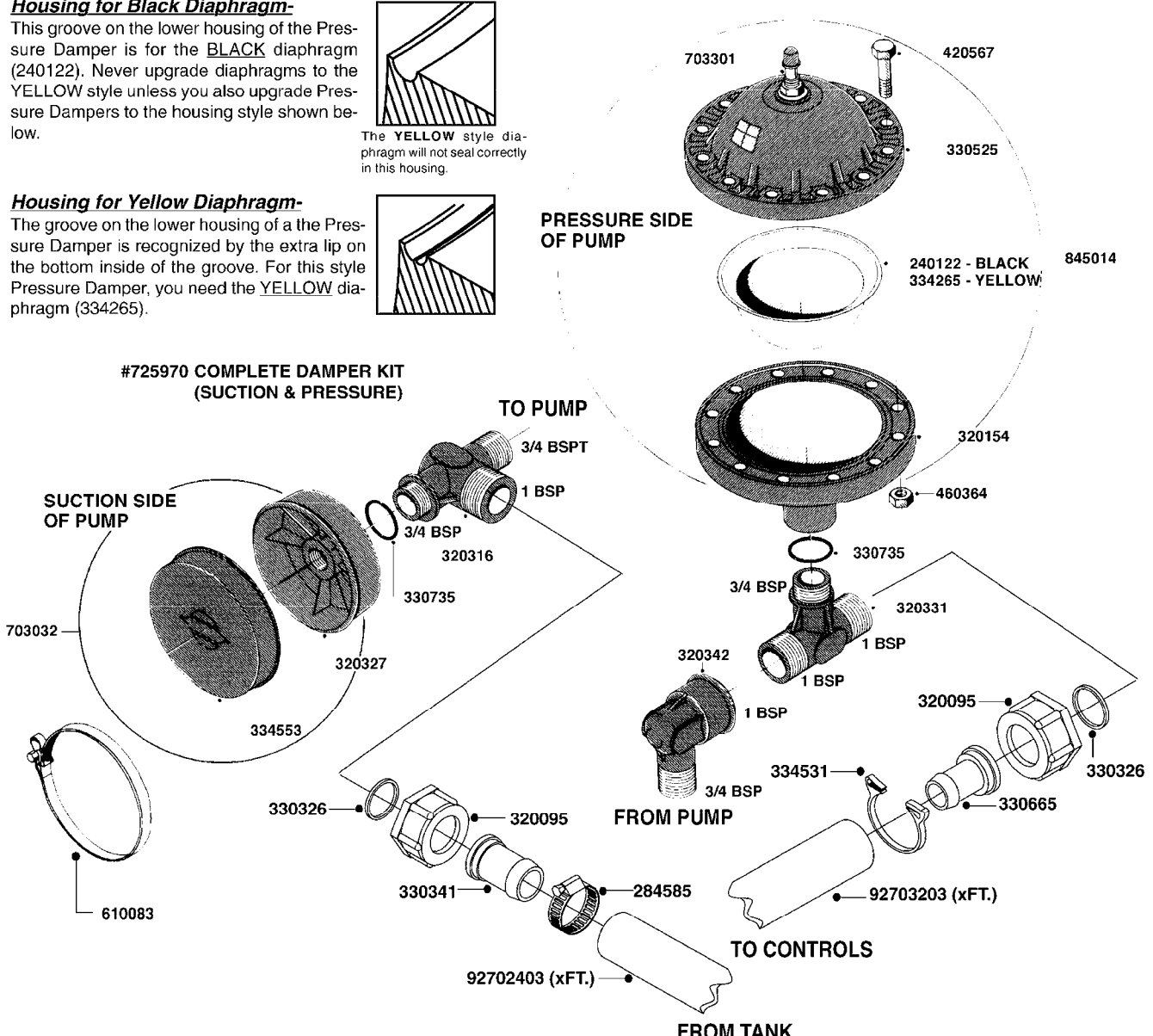
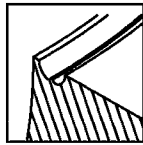
This groove on the lower housing of the Pressure Damper is for the **BLACK** diaphragm (240122). Never upgrade diaphragms to the **YELLOW** style unless you also upgrade Pressure Dampers to the housing style shown below.



The **YELLOW** style diaphragm will not seal correctly in this housing.

Housing for Yellow Diaphragm-

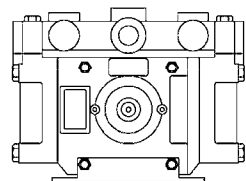
The groove on the lower housing of a the Pressure Damper is recognized by the extra lip on the bottom inside of the groove. For this style Pressure Damper, you need the **YELLOW** diaphragm (334265).



*821557 - 321 HIGH PRESSURE
*821560 - 321 W/THROUGH SHAFT
*821561 - 321 GAS DRIVEN
(* - REPLACES 320 PUMP)

COMPLETE ASSEMBLIES
WHOLEGOODS ITEMS

A110





PUMP - 320/321 FITTINGS
A110-HIN, 23:05:11

Page 1
Date 19.03.2013 9:41

parts-n°	order qty	description
240122	1	DIAPHRAGM FOR PRES.DAMP.(EPDM)
284585	1	CLAMP HOSE GEAR 1" MINI 020
320095	1	FITT.DK NUT 1" BSP
320154	1	AIR BOTTLE, BOTTOM PART
320316	1	FITT.DK TEE 3/4" X3/4" X1"BSP
320327	1	HOUSING F. SUCTION AIR BOTTLE
320331	1	FITT.DK TEE 1" - 1" - 3/4" BSP
320342	1	FITT.DK EL 3/4"M X 1"F BSP
330326	1	O-RING D30/D24X2 F.1"NUT
330341	1	FITT.DK HB 1" F. 1" NUT
330525	1	AIR BOTTLE, TOP HALF
330665	1	FITT.DK HB 3/4"F.1" NUT
330735	1	O-RING D30/D26X2
334265	1	DIAPHRAGM F. PRESS DAMP.NITRIL
334531	1	CLAMP HOSE PLASTIC 3/4"
334553	1	DIAPHRAGM F.SUCTION AIR BOTTLE
420567	1	BOLT HEX 8.8 DEL M8X30 FT
460364	1	NUT HEX M8 GALV.
610083	1	RET. BAND FOR SUCT. AIR BOTTLE
703032	1	SUCTION AIR BOTTLE 3/4" COMPL.
703301	1	VALVE FOR AIR BOTTLE
725970	1	DAMPER KIT 600
821557	1	PUMP 321/7MM STROKE 25 BAR
821560	1	PUMP 321/7MM 25 BAR THROUGH SH
821561	1	PUMP 321/3MM STROKE 25 BAR
845014	1	AIR BOTTLE COMPLETE HJ73
92702403	1	HOSE PVC SUCT GRAY 1"
92703203	1	HOSE R X3/4" X300PSI WP X0012"



PUMP - 1200 W/ MOUNTING BASE
A120-HIN, 01:11:11

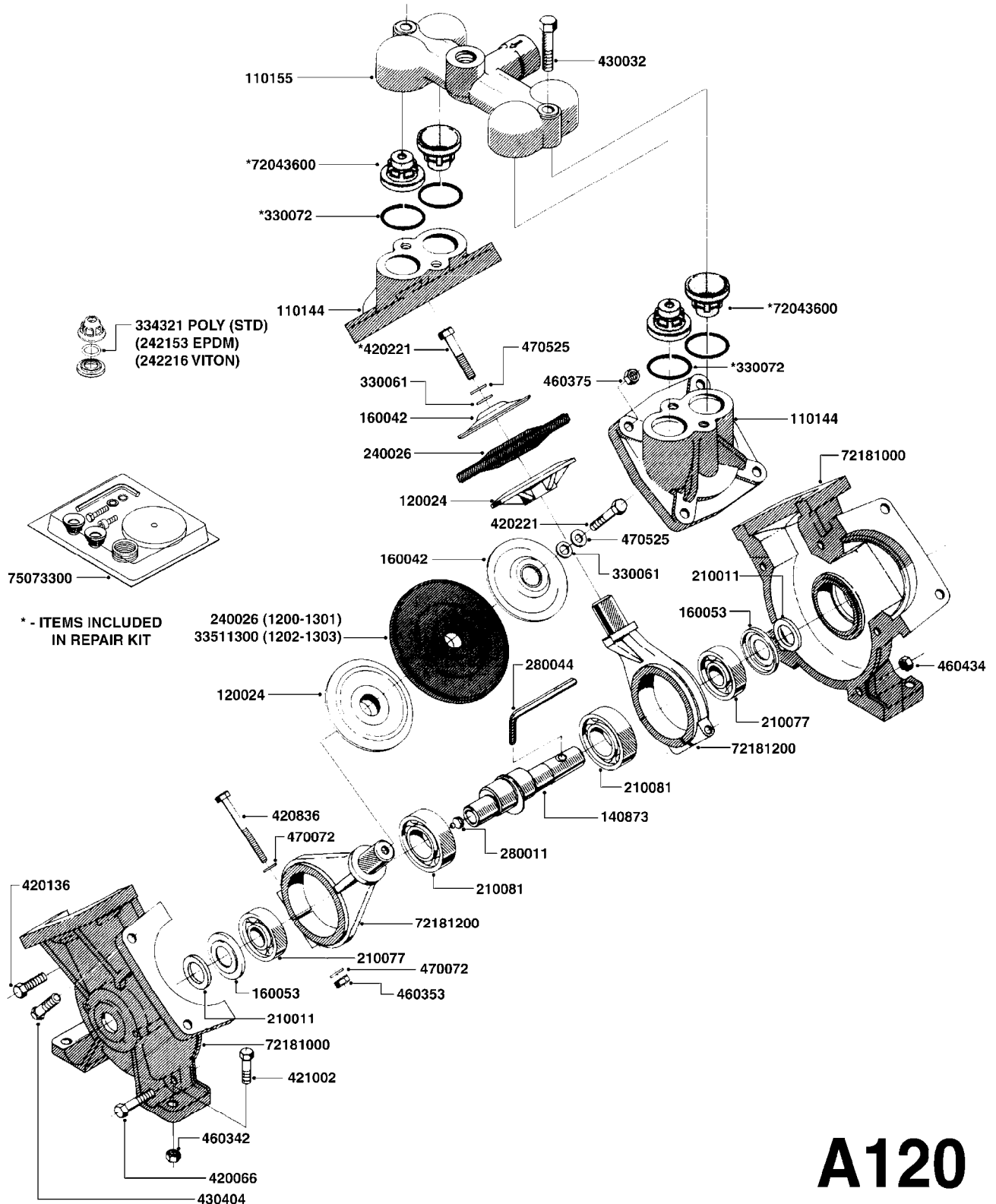
Page

0

Date

19.03.2013

9:41

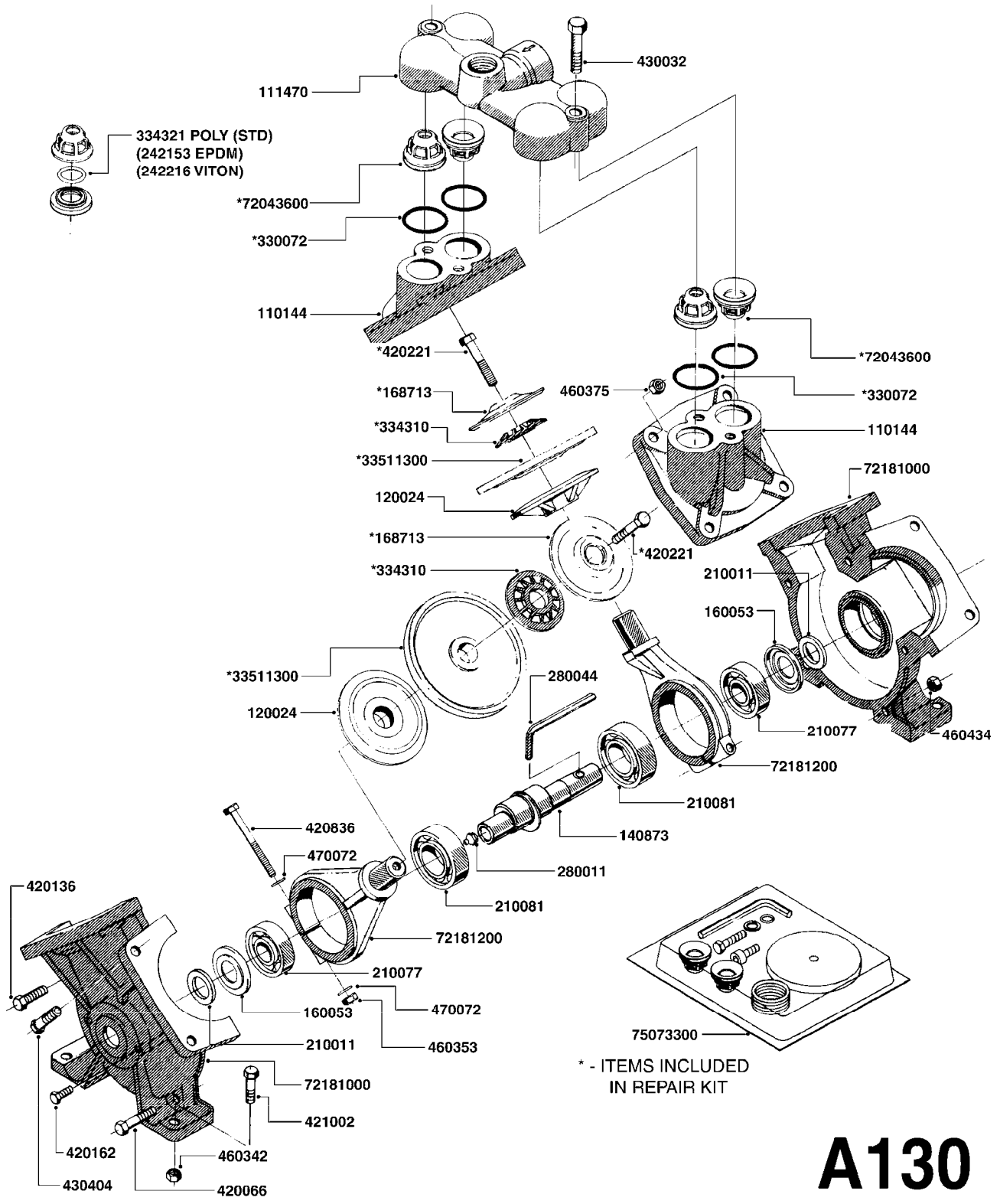




PUMP - 1200 W/ MOUNTING BASE
A120-HIN, 01:11:11

Page 1
Date 19.03.2013 9:41

parts-n°	order qty	description
110144	1	DIAPHRAGM COVER alt 72181100
110155	1	VALVE CHAMBER F. 1200 PUMP
120024	1	DIAPHRAGM BACK DISC 1200-1300
140873	1	CRANK SHAFT MODEL 1202-9MM
160042	1	DIAPHRAGM UPPER DISC 1200-1300
160053	1	DUST PLATE
210011	1	SEAL FELT D39/23 X 4
210077	1	BEARING BALL 6305
210081	1	BEARING BALL 6307
240026	1	DIAPHRAGM MODEL 1200/1301
242153	1	O-RING D26X4 EPDM
242216	1	O-RING VITON F/1202/1302/462
280011	1	GREASE NIPPLE 1/8' H TR
280044	1	KEY HEXAGON W6 3/16'
330061	1	O-RING D16/D11X2,5
330072	1	O-RING D53,5/D45,5X4
334321	1	O-RING POLY. 34.0x26.0x4.0
420066	1	BOLT HEX 8.8 DEL 3/8"X50MM
420136	1	BOLT HEX 8.8 RAW 3/8'X30MM
420221	1	BOLT HEX 7/16'X2-1/4'
420836	1	BOLT HEX 8.8 RAW M8X85
421002	1	BOLT HEX 8.8 DEL M10X30 FT
430032	1	BOLT HEX 8.8 RAW 1/2'X55MM
430404	1	BOLT HEX 8.8 DEL M12X50
460342	1	NUT HEX M10
460353	1	NUT HEX M8 BLACK
460375	1	NUT HEX M12 BLACK
460434	1	NUT HEX 3/8' NC BLACK
470072	1	WASHER D15/D8X.5 LOCK
470525	1	WASHER D19/D11.5X2.5
33511300	1	DIAPHRAGM 1203/1302 POLY 2006
72043600	1	VALVE FOR 462/463
72181000	1	HOUSING, PUMP, 1203 RED
72181200	1	CONNECTING ROD FOR 1203 W/M12
75073300	1	PUMP KIT 1200/1202 "06"



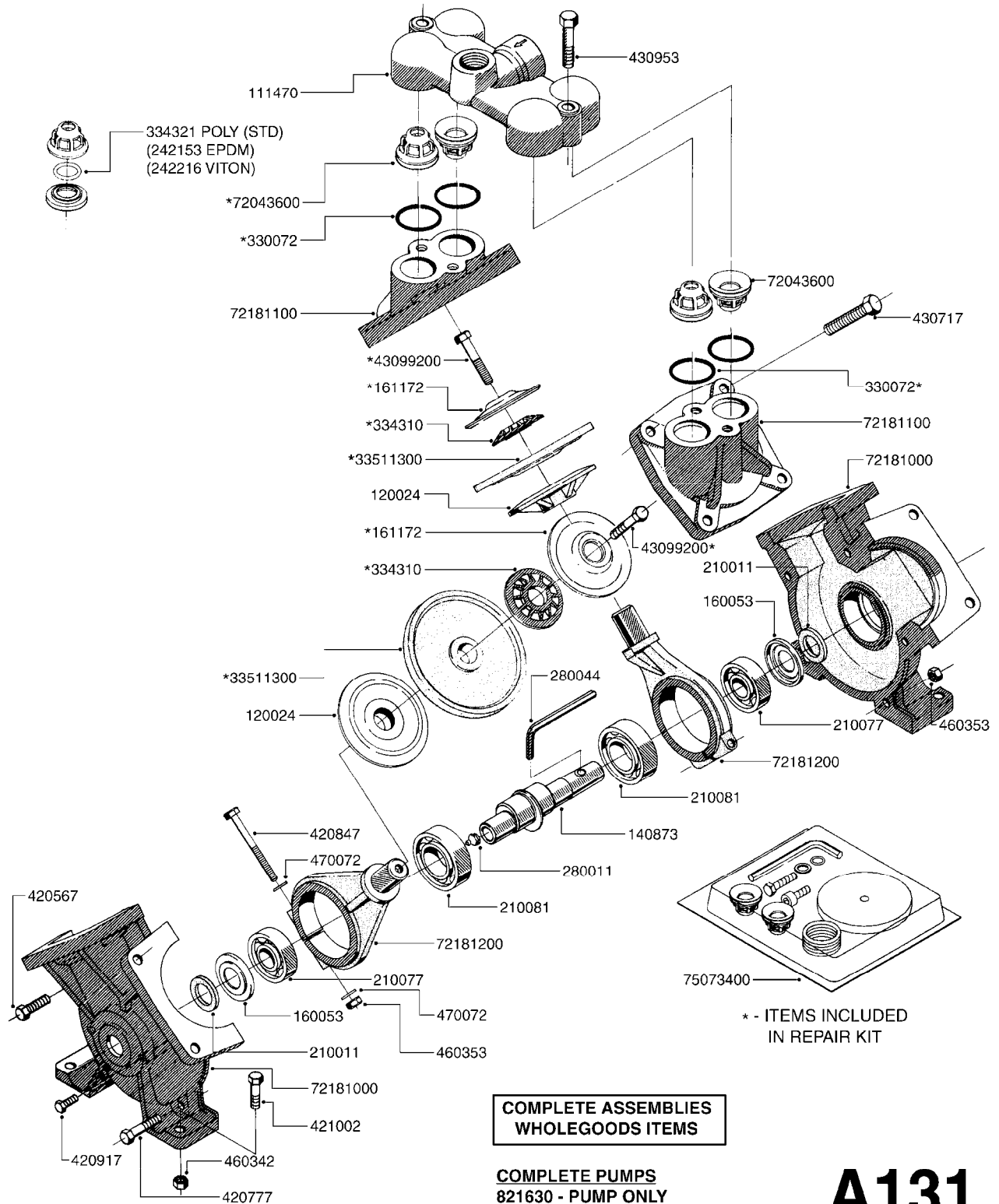
A130



PUMP - 1202 W/MOUNTING BASE
A130-HIN, 01:11:11

Page 1
Date 19.03.2013 9:41

parts-n°	order qty	description
110144	1	DIAPHRAGM COVER alt 72181100
111470	1	VALVE CHAMBER 1202
120024	1	DIAPHRAGM BACK DISC 1200-1300
140873	1	CRANK SHAFT MODEL 1202-9MM
160053	1	DUST PLATE
168713	1	WASHER F.1202/1302/462 METAL
210011	1	SEAL FELT D39/23 X 4
210077	1	BEARING BALL 6305
210081	1	BEARING BALL 6307
242153	1	O-RING D26X4 EPDM
242216	1	O-RING VITON F/1202/1302/462
280011	1	GREASE NIPPLE 1/8' H TR
280044	1	KEY HEXAGON W6 3/16'
330072	1	O-RING D53,5/D45,5X4
334310	1	NYLON WASHER 1202/1302/462
334321	1	O-RING POLY. 34.0x26.0x4.0
420066	1	BOLT HEX 8.8 DEL 3/8"X50MM
420136	1	BOLT HEX 8.8 RAW 3/8"X30MM
420162	1	BOLT HEX 8.8 DEL 3/8"x15MM
420221	1	BOLT HEX 7/16'X2-1/4'
420836	1	BOLT HEX 8.8 RAW M8X85
421002	1	BOLT HEX 8.8 DEL M10X30 FT
430032	1	BOLT HEX 8.8 RAW 1/2'X55MM
430404	1	BOLT HEX 8.8 DEL M12X50
460342	1	NUT HEX M10
460353	1	NUT HEX M8 BLACK
460375	1	NUT HEX M12 BLACK
460434	1	NUT HEX 3/8' NC BLACK
470072	1	WASHER D15/D8X.5 LOCK
33511300	1	DIAPHRAGM 1203/1302 POLY 2006
72043600	1	VALVE FOR 462/463
72181000	1	HOUSING, PUMP, 1203 RED
72181200	1	CONNECTING ROD FOR 1203 W/M12
75073300	1	PUMP KIT 1200/1202 "06"



COMPLETE ASSEMBLIES
WHOLEGOODS ITEMS

COMPLETE PUMPS
821630 - PUMP ONLY
10396003 - WITH PTO & DAMPER

A131



PUMP - 1203 W/MOUNTING BASE
A131-HIN, 08:11:11

Page 1
Date 19.03.2013 9:41

parts-n°	order qty	description
111470	1	VALVE CHAMBER 1202
120024	1	DIAPHRAGM BACK DISC 1200-1300
140873	1	CRANK SHAFT MODEL 1202-9MM
160053	1	DUST PLATE
161172	1	DIAPHRAGM DISC F. 1203/1303
210011	1	SEAL FELT D39/23 X 4
210077	1	BEARING BALL 6305
210081	1	BEARING BALL 6307
242153	1	O-RING D26X4 EPDM
242216	1	O-RING VITON F/1202/1302/462
280011	1	GREASE NIPPLE 1/8' H TR
280044	1	KEY HEXAGON W6 3/16'
330072	1	O-RING D53,5/D45,5X4
334310	1	NYLON WASHER 1202/1302/462
334321	1	O-RING POLY. 34.0x26.0x4.0
420567	1	BOLT HEX 8.8 DEL M8X30 FT
420777	1	BOLT HEX 8.8 RAW M8X50
420847	1	BOLT HEX 8.8 DEL M8X85
420917	1	BOLT HEX 8.8 RAW M8X12 FT
421002	1	BOLT HEX 8.8 DEL M10X30 FT
430717	1	BOLT HEX 8.8 RAW M12x40
430953	1	BOLT, M12 X 55 8.8
460342	1	NUT HEX M10
460353	1	NUT HEX M8 BLACK
470072	1	WASHER D15/D8X.5 LOCK
821630	1	PUMP 1203/9 540RPM
10396003	1	PUMP 1203 C/W PTO 540 RPM
33511300	1	DIAPHRAGM 1203/1302 POLY 2006
43099200	1	BOLT HEX SS M12 X 30 DIN933 A4
72043600	1	VALVE FOR 462/463
72181000	1	HOUSING, PUMP, 1203 RED
72181100	1	DIAPHRAGM COVER 1203/1303+BLTS
72181200	1	CONNECTING ROD FOR 1203 W/M12
75073400	1	PUMP KIT 1203 MM



PUMP - 1200/1202 W/ B&S 5 HP
A140-HIN, 01:01:01

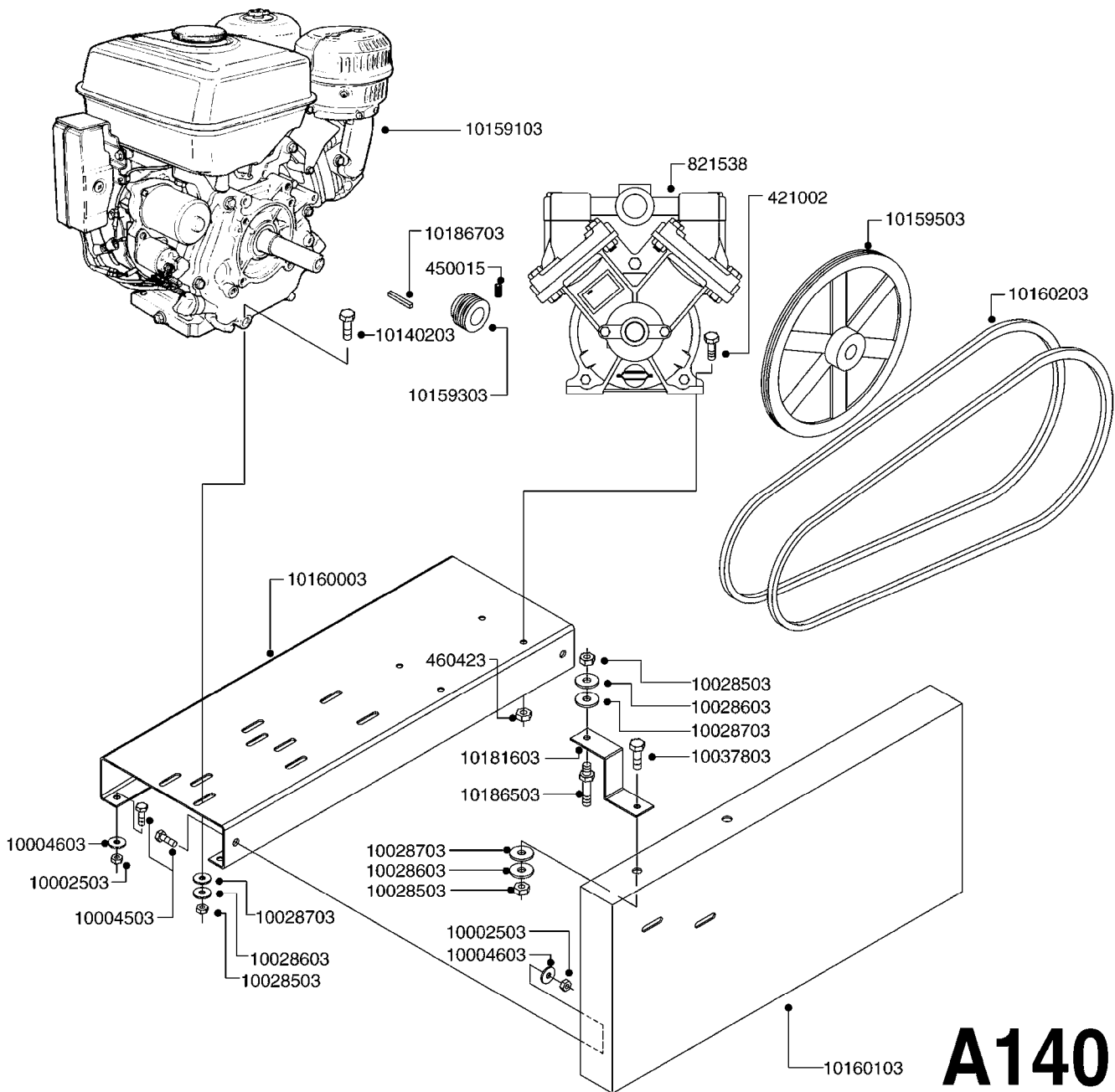
Page

0

Date

19.03.2013

9:41



A140



PUMP - 1200/1202 W/ B&S 5 HP
A140-HIN, 01:01:01

Page 1

Date 19.03.2013 9:41

parts-n°	order qty	description
10002503	1	NUT HEX NC 1/2"
10004503	1	BOLT HEX 1/2 NC GR.5 01.50"
10004603	1	WASHER LOCK 1/2"
10028503	1	NUT HEX NC 5/16'
10028603	1	WASHER LOCK 5/16'
10028703	1	WASHER PLATE 5/16
10037803	1	BOLT HEX 5/16 NC GR.2 00.75'
10140203	1	BOLT HEX 5/16 NC GR.2 02.00'
10159103	1	ENG.B&S 5HP A135232
10159303	1	PULLEY 2' OD X 3/4' BORE-2AK
10159503	1	PULLEY-12.25 TAPER BORE 1200
10160003	1	BASE PUMP - 5HP/1200, 8HP/1301
10160103	1	SHIELD FOR 5HP/1200, 8HP/1301
10160203	1	VEE BELT - 1/2' X 47 OD (A45)
10181603	1	BRACE FOR SHIELD 1200 5HP
10186503	1	BOLT STUD F.5HP ENGIN 93583
10186703	1	KEY 3/16 SQ.X 1-1/2 LONG
421002	1	BOLT HEX 8.8 DEL M10X30 FT
450015	1	SCREW ALLAN 3/8'X5/8' BLACK
460423	1	NUT HEX M10X1.5 LOCK
821538	1	PUMP 1202/9 540 RPM



PUMP - 1200/1202 W/ HONDA 5 HP
A150-HIN, 01:01:01

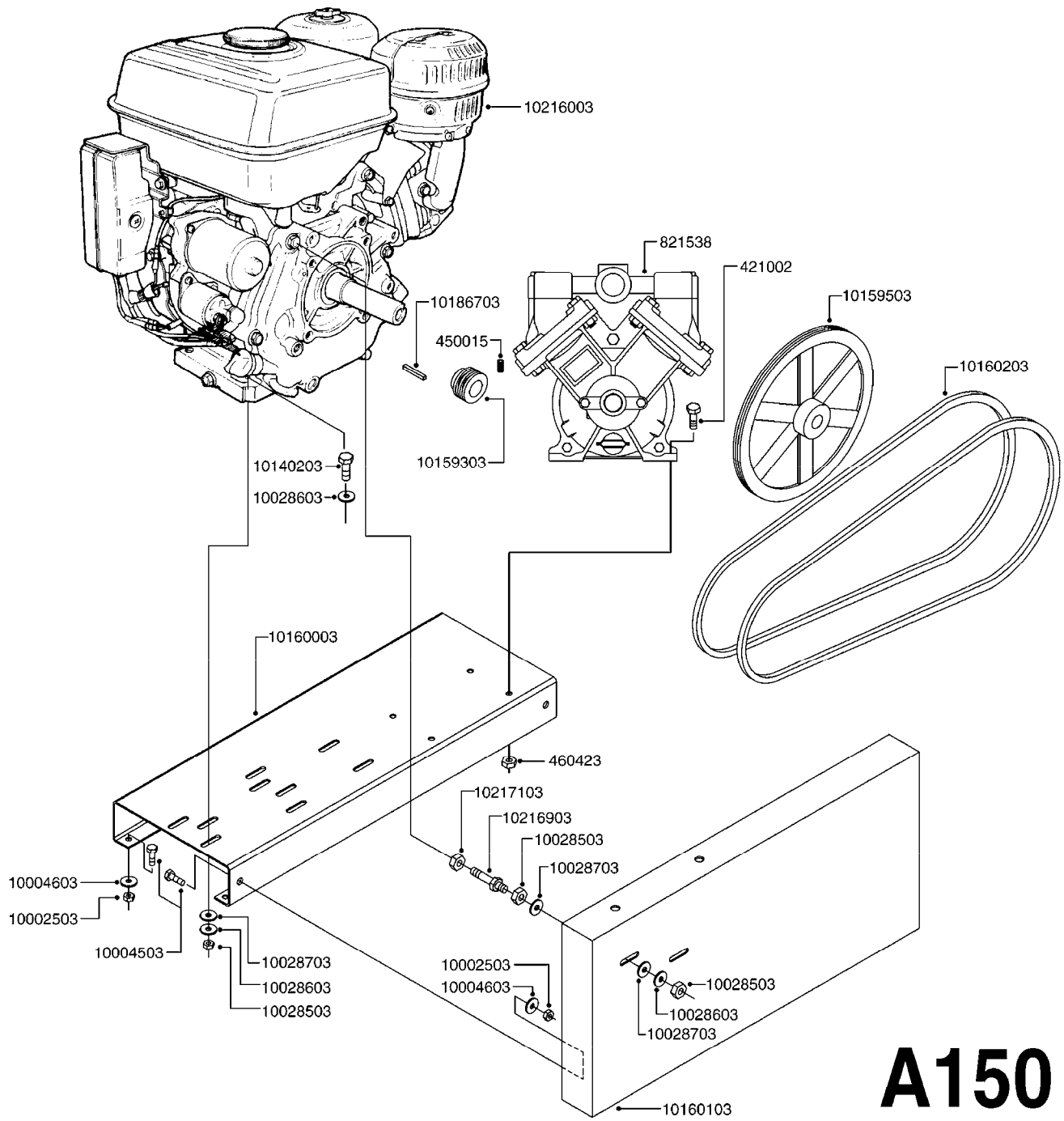
Page

0

Date

19.03.2013

9:41



A150

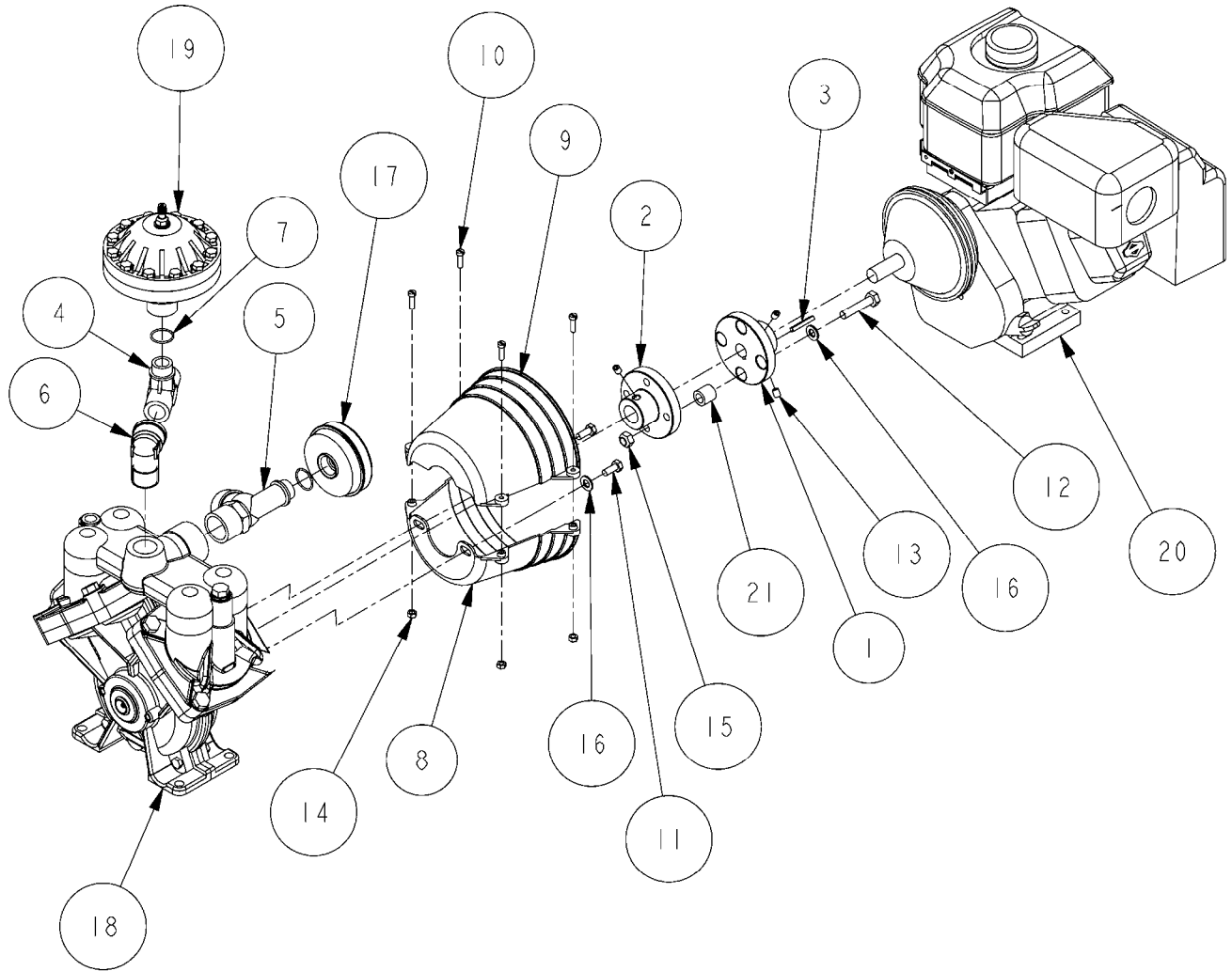


PUMP - 1200/1202 W/ HONDA 5 HP
A150-HIN, 01:01:01

Page 1

Date 19.03.2013 9:41

parts-n°	order qty	description
10002503	1	NUT HEX NC 1/2"
10004503	1	BOLT HEX 1/2 NC GR.5 01.50"
10004603	1	WASHER LOCK 1/2"
10028503	1	NUT HEX NC 5/16'
10028603	1	WASHER LOCK 5/16'
10028703	1	WASHER PLATE 5/16
10140203	1	BOLT HEX 5/16 NC GR.2 02.00'
10159303	1	PULLEY 2' OD X 3/4' BORE-2AK
10159503	1	PULLEY-12.25 TAPER BORE 1200
10160003	1	BASE PUMP - 5HP/1200, 8HP/1301
10160103	1	SHIELD FOR 5HP/1200, 8HP/1301
10160203	1	VEE BELT - 1/2' X 47 OD (A45)
10186703	1	KEY 3/16 SQ.X 1-1/2 LONG
10216003	1	ENG.HON.5.5HP AEGX160QH
10216903	1	BOLT STUD 5/16 NF&NC GR5 05.5'
10217103	1	NUT HEX NF 5/16
421002	1	BOLT HEX 8.8 DEL M10X30 FT
450015	1	SCREW ALLAN 3/8'X5/8' BLACK
460423	1	NUT HEX M10X1.5 LOCK
821538	1	PUMP 1202/9 540 RPM



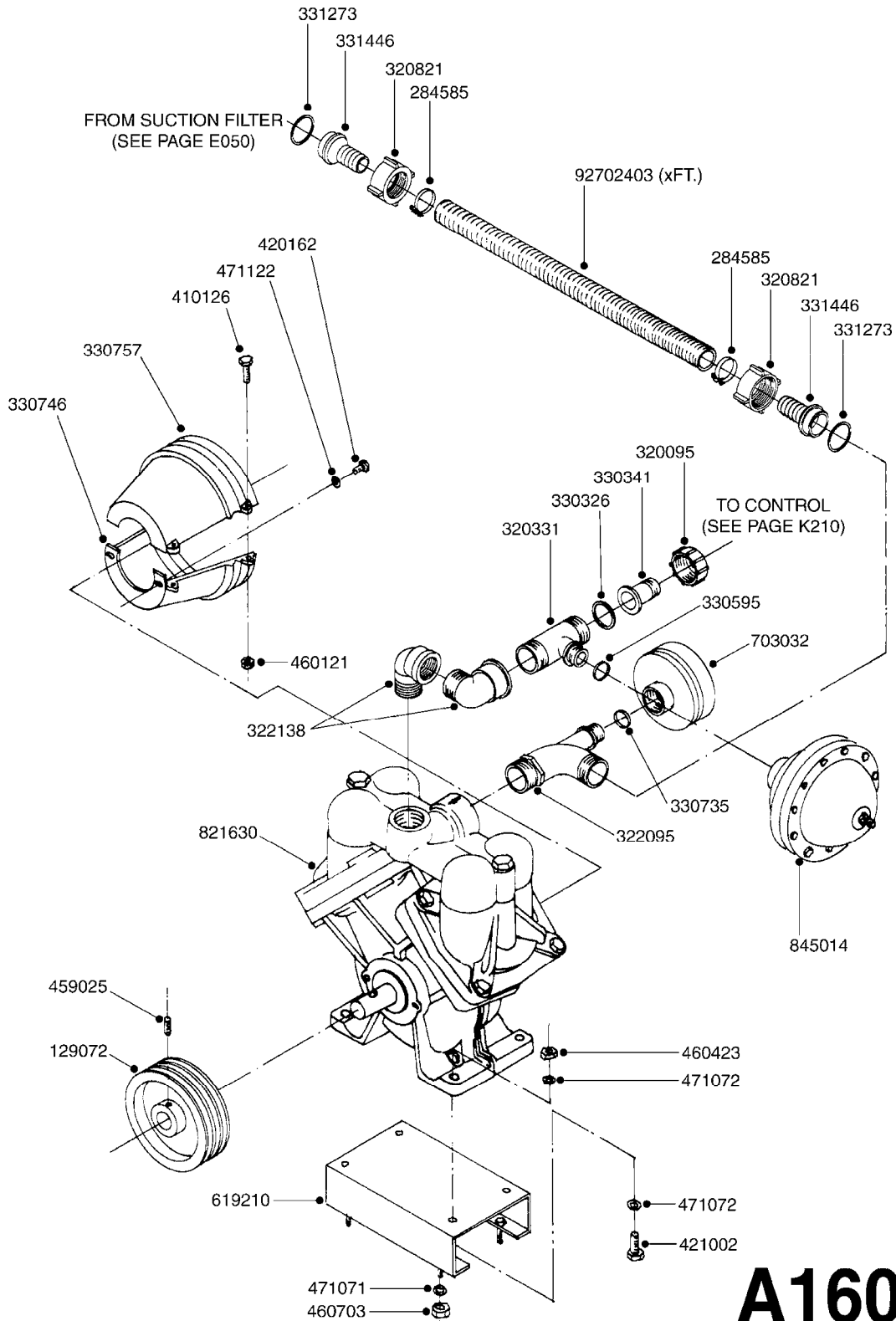
A155



PUMP - 1203 W/DIRECT DRIVE
A155-HIN, 28:06:06

Page 1
Date 19.03.2013 9:41

Pos.	parts-n°	order qty	description
1	146590	1	COUPLING F. ENGINE DIRECT DRIV
2	146591	1	COUPLING F.PUMP DIRECT DRIVE
3	192415	1	KEY 3/16' X 38 BS NO. 91539
4	320331	1	FITT.DK TEE 1" - 1" - 3/4" BSP
5	322095	1	FITT.DK TEE 1-1/2 X1 X3/4" BSP
6	322138	1	FITT.DK ELB 1"M X 1"F BSP
7	330735	1	O-RING D30/D26X2
8	330746	1	GUARD PTO LOWER PART
9	330757	1	GUARD PTO UPPER PART
10	410347	1	SCREW M6X20 8.8
11	420582	1	BOLT HEX 8.8 DEL M8X20 FT
12	420943	1	BOLT HEX 8.8 DEL M10X50
13	450897	1	SCREW SET M8 x 12
14	460202	1	NUT HEX M6
15	460423	1	NUT HEX M10X1.5 LOCK
16	471122	1	WASHER D20/D10.5X2 SS
17	703032	1	SUCTION AIR BOTTLE 3/4" COMPL.
18	821630	1	PUMP 1203/9 540RPM
19	845014	1	AIR BOTTLE COMPLETE HJ73
20	28032303	1	ENGINE B&S 5.5HP 6:1 RED 1203
21	92702103	1	HOSE R X1/2" X300PSI WP X0012"





PUMP - 1203 F. LE/LE-SPV/LP
A160-HIN, 22:06:10

Page 1

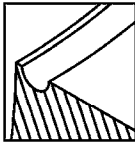
Date 19.03.2013 9:41

parts-n°	order qty	description
129072	1	PULLEY Ø 200-3 C/SPZ 25MM
284585	1	CLAMP HOSE GEAR 1" MINI 020
320095	1	FITT.DK NUT 1" BSP
320331	1	FITT.DK TEE 1" - 1" - 3/4" BSP
320821	1	FITT.DK NUT 1-1/2" BSP
322095	1	FITT.DK TEE 1-1/2 X1 X3/4" BSP
322138	1	FITT.DK ELB 1"M X 1"F BSP
330326	1	O-RING D30/D24X2 F.1"NUT
330341	1	FITT.DK HB 1" F. 1" NUT
330595	1	O-RING D24.6/D20X2.1 -3/4"
330735	1	O-RING D30/D26X2
330746	1	GUARD PTO LOWER PART
330757	1	GUARD PTO UPPER PART
331273	1	O-RING D44/D38X2 F.1-1/2"
331446	1	FITT.DK HB 1" F.1-1/2" NUT
410126	1	SCREW 1/4"X3/4" GALV.
420162	1	BOLT HEX 8.8 DEL 3/8"x15MM
421002	1	BOLT HEX 8.8 DEL M10X30 FT
459025	1	SCREW SET M8X30
460121	1	NUT 1/4" GALV.
460423	1	NUT HEX M10X1.5 LOCK
460703	1	NUT HEX M12X1.75 LOCK
471071	1	WASHER M12 GALV
471072	1	WASHER M10 EL2
471122	1	WASHER D20/D10.5X2 SS
619210	1	PUMP MNT.BRKT. LE/LP/SPV 1202
703032	1	SUCTION AIR BOTTLE 3/4" COMPL.
821630	1	PUMP 1203/9 540RPM
845014	1	AIR BOTTLE COMPLETE HJ73
92702403	1	HOSE PVC SUCT GRAY 1"



Housing for Black Diaphragm-

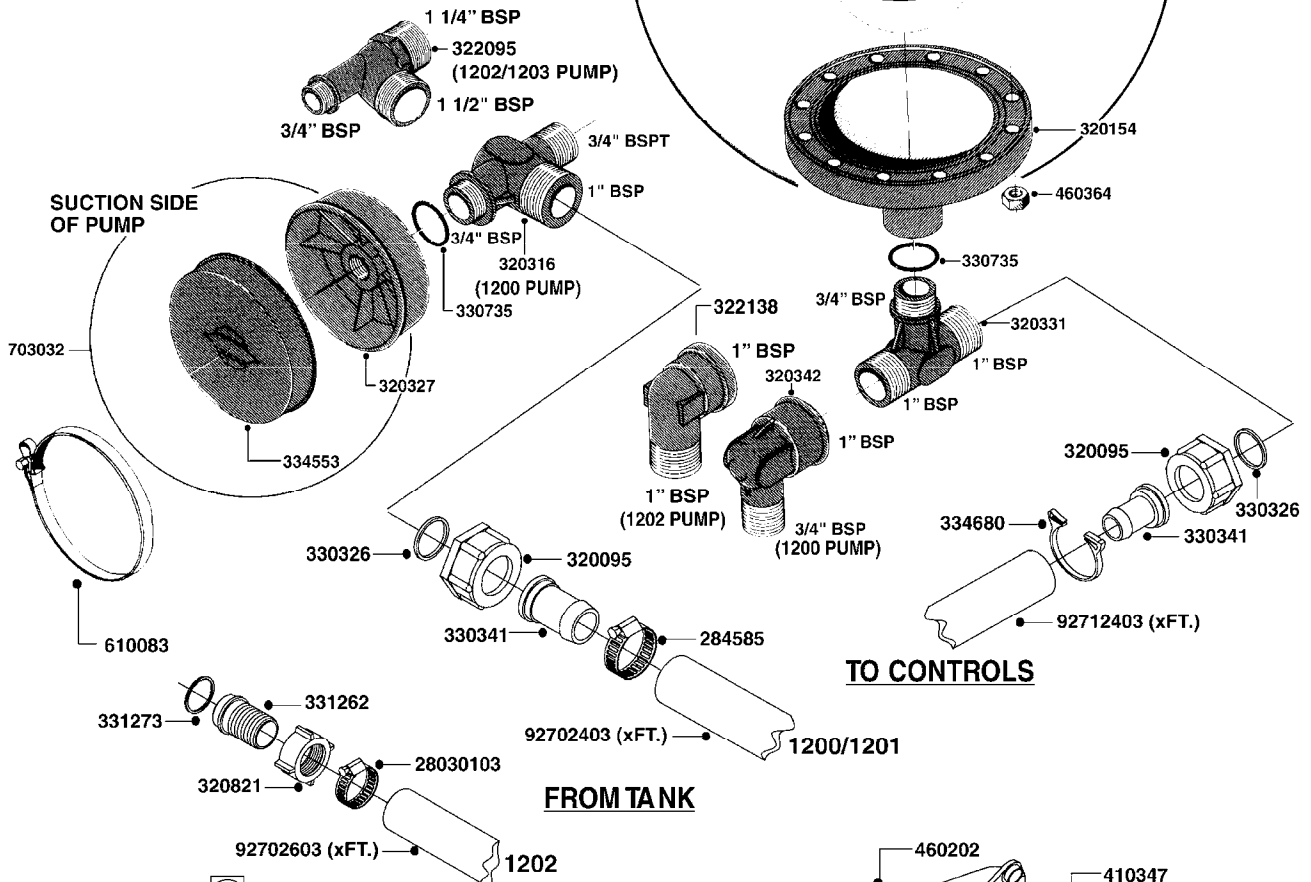
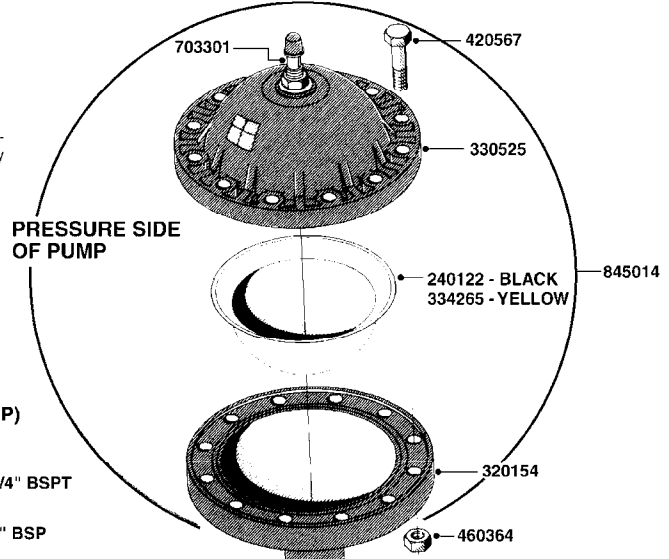
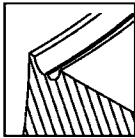
This groove on the lower housing of the Pressure Damper is for the BLACK diaphragm (240122). Never upgrade diaphragms to the YELLOW style unless you also upgrade Pressure Dampers to the housing style shown below.



The YELLOW style diaphragm will not seal correctly in this housing.

Housing for Yellow Diaphragm-

The groove on the lower housing of a the Pressure Damper is recognized by the extra lip on the bottom inside of the groove. For this style Pressure Damper, you need the YELLOW diaphragm (334265).



#821630 1203 PUMP (REPLACES 1202 PUMP)
#726854 COMPLETE DAMPER KIT (SUCTION & PRESSURE)

COMPLETE ASSEMBLIES
WHOLEGOODS ITEMS

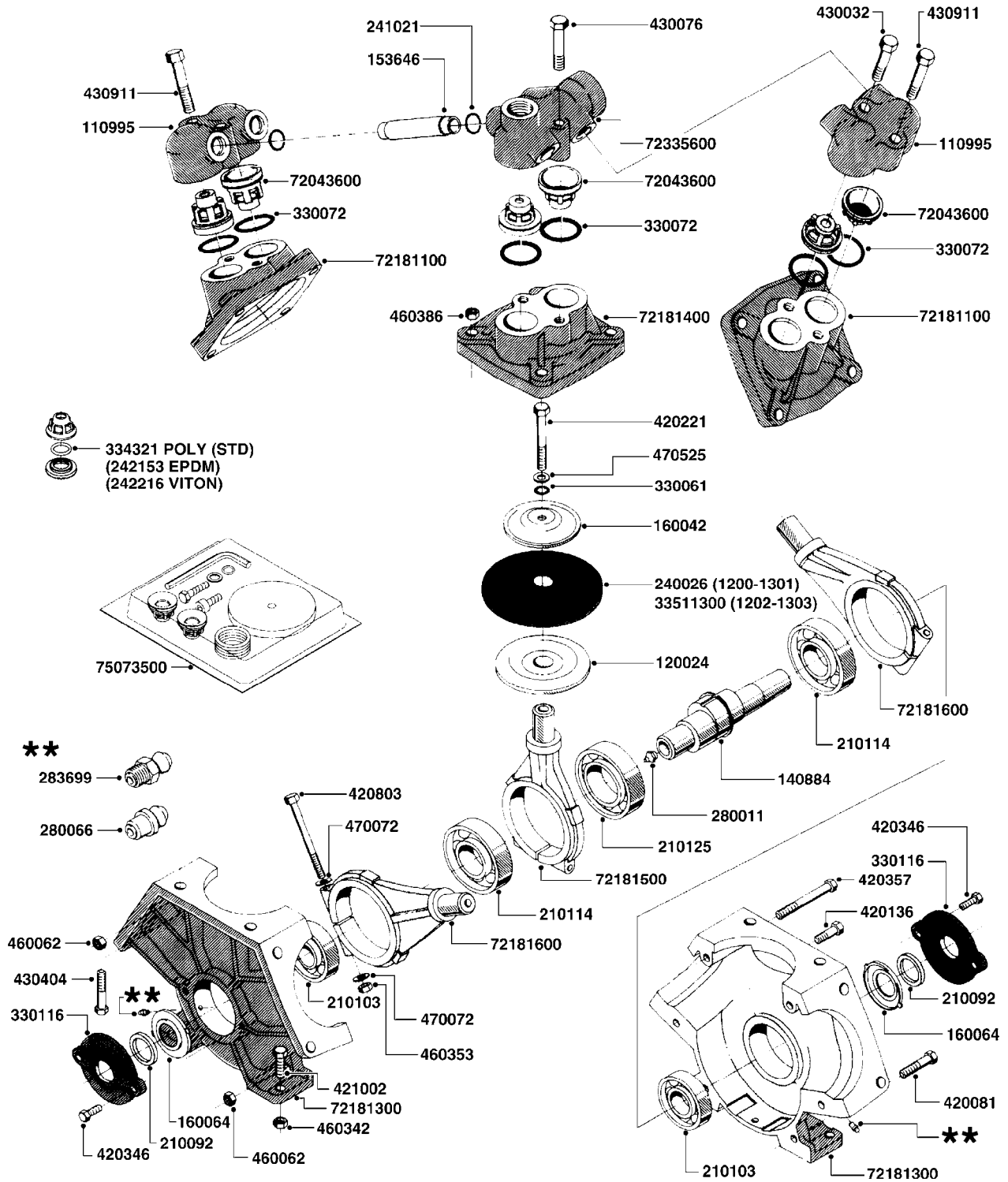
A170



PUMP - 1200/1202/1203 FITTINGS
A170-HIN, 08:12:09

Page 1
Date 19.03.2013 9:41

parts-n°	order qty	description
240122	1	DIAPHRAGM FOR PRES.DAMP.(EPDM)
284585	1	CLAMP HOSE GEAR 1" MINI 020
320095	1	FITT.DK NUT 1" BSP
320154	1	AIR BOTTLE, BOTTOM PART
320316	1	FITT.DK TEE 3/4" X3/4" X1"BSP
320327	1	HOUSING F. SUCTION AIR BOTTLE
320331	1	FITT.DK TEE 1" - 1" - 3/4" BSP
320342	1	FITT.DK EL 3/4"M X 1"F BSP
320821	1	FITT.DK NUT 1-1/2" BSP
322095	1	FITT.DK TEE 1-1/2 X1 X3/4" BSP
322138	1	FITT.DK ELB 1"M X 1"F BSP
330326	1	O-RING D30/D24X2 F.1"NUT
330341	1	FITT.DK HB 1" F. 1" NUT
330525	1	AIR BOTTLE, TOP HALF
330735	1	O-RING D30/D26X2
330746	1	GUARD PTO LOWER PART
330757	1	GUARD PTO UPPER PART
331262	1	FITT.DK HB 1-1/2" F. 1-1/2"NUT
331273	1	O-RING D44/D38X2 F.1-1/2"
334265	1	DIAPHRAGM F. PRESS DAMP.NITRIL
334553	1	DIAPHRAGM F.SUCTION AIR BOTTLE
334680	1	CLAMP HOSE PLASTIC 1"
410347	1	SCREW M6X20 8.8
420162	1	BOLT HEX 8.8 DEL 3/8"x15MM
420567	1	BOLT HEX 8.8 DEL M8X30 FT
460202	1	NUT HEX M6
460364	1	NUT HEX M8 GALV.
471122	1	WASHER D20/D10.5X2 SS
610083	1	RET. BAND FOR SUCT. AIR BOTTLE
703032	1	SUCTION AIR BOTTLE 3/4" COMPL.
703301	1	VALVE FOR AIR BOTTLE
726854	1	DAMPER KIT 1203/1303
821630	1	PUMP 1203/9 540RPM
845014	1	AIR BOTTLE COMPLETE HJ73
28030103	1	CLAMP HOSE GEAR P5/4-S1.5"6724
92702403	1	HOSE PVC SUCT GRAY 1"
92702603	1	HOSE PVC SUCT GRAY 1-1/2"
92712403	1	HOSE R X1" X300PSI WP X0012"



A180

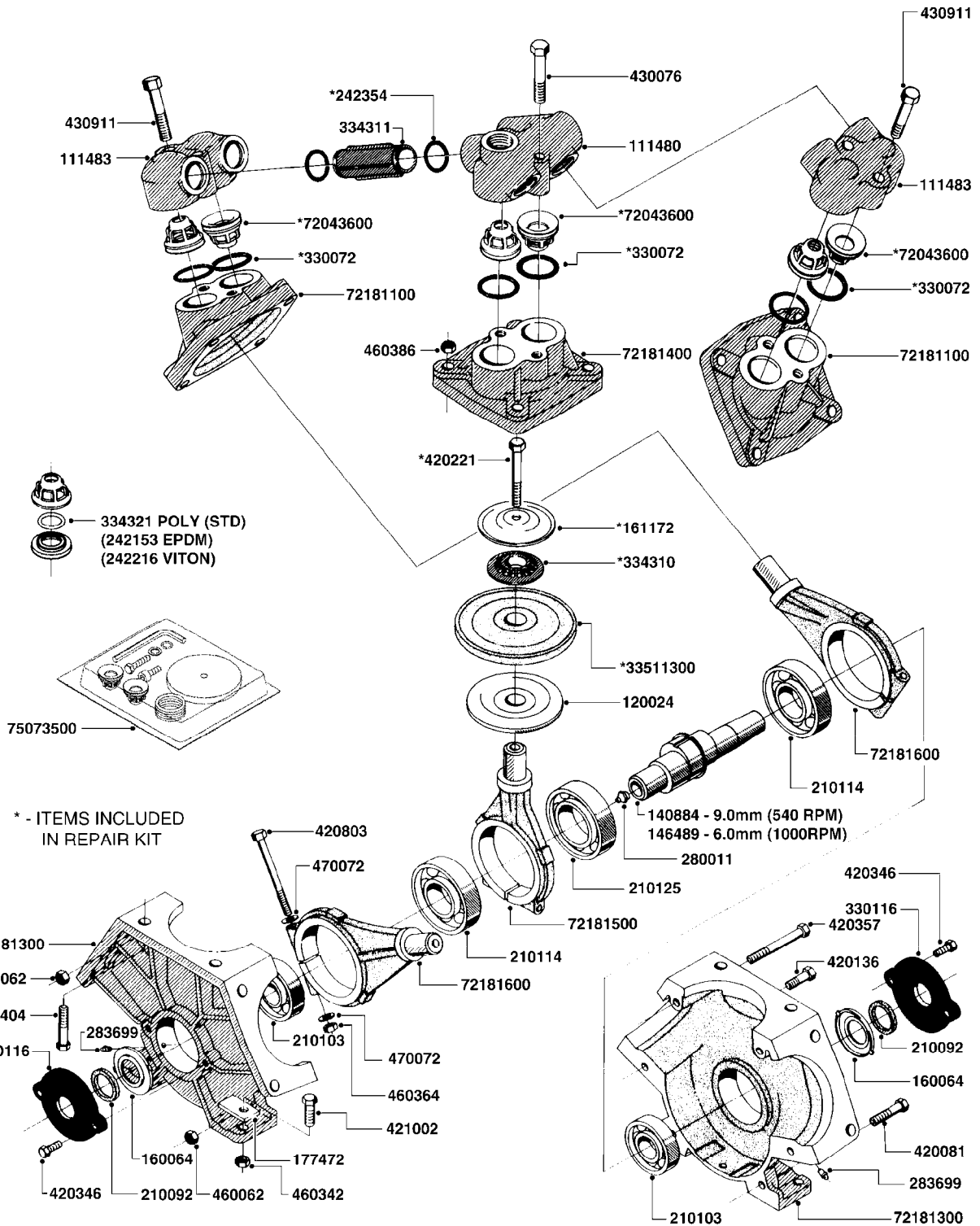


PUMP - 1301 W/ MOUNTING BASE
A180-HIN, 08:11:11

Page 1

Date 19.03.2013 9:41

parts-n°	order qty	description
110995	1	VALVE CHAMBER SIDE MODEL 1301
120024	1	DIAPHRAGM BACK DISC 1200-1300
140884	1	CRANK SHAFT MODEL 1300-9
153646	1	CONNECTION PIPE INLET MOD 1301
160042	1	DIAPHRAGM UPPER DISC 1200-1300
160064	1	DUST PLATE
210092	1	SEAL FELT D43/30X5
210103	1	BEARING BALL 6306
210114	1	BEARING BALL 6308
210125	1	BEARING BALL 6210
240026	1	DIAPHRAGM MODEL 1200/1301
241021	1	O-RING D21,89X2,62 NITRIL
242153	1	O-RING D26X4 EPDM
242216	1	O-RING VITON F/1202/1302/462
280011	1	GREASE NIPPLE 1/8' H TR
280066	1	GREASE NIPPLE H 1A6
283699	1	GREASE NIPPLE M6X1
330061	1	O-RING D16/D11X2,5
330072	1	O-RING D53,5/D45,5X4
330116	1	SEAL RETAINER, MODEL 1300
334321	1	O-RING POLY. 34.0x26.0x4.0
420081	1	BOLT HEX 8.8 DEL 3/8'X40MM
420136	1	BOLT HEX 8.8 RAW 3/8'X30MM
420221	1	BOLT HEX 7/16'X2-1/4'
420346	1	BOLT HEX 8.8 DEL 3/8'X 25MM
420357	1	BOLT HEX 8.8 RAW 3/8'X85MM
420803	1	BOLT HEX 8.8 DEL M8X90
421002	1	BOLT HEX 8.8 DEL M10X30 FT
430032	1	BOLT HEX 8.8 RAW 1/2'X55MM
430076	1	BOLT HEX 8.8 RAW 1/2'X60MM
430404	1	BOLT HEX 8.8 DEL M12X50
430911	1	BOLT HEX 8.8 WG 1/2" x 70MM
460062	1	NUT HEX 3/8' GALV.
460342	1	NUT HEX M10
460353	1	NUT HEX M8 BLACK
460386	1	NUT HEX M12X1.75
470072	1	WASHER D15/D8X.5 LOCK
470525	1	WASHER D19/D11.5X2.5
33511300	1	DIAPHRAGM 1203/1302 POLY 2006
72043600	1	VALVE FOR 462/463
72181100	1	DIAPHRAGM COVER 1203/1303+BLTS
72181300	1	PUMP CASTING 1300 RED W/BOLTS
72181400	1	DIAPHRAGM COVER 1303 W/BOLTS
72181500	1	CONNECTING ROD, CENTER 1303
72181600	1	CONNECTING ROD, SIDE MOD.1300
72335600	1	CENTER VALVE CHAMBER 1302 RED
75073500	1	PUMP KIT 1300/1302 "06"



A190

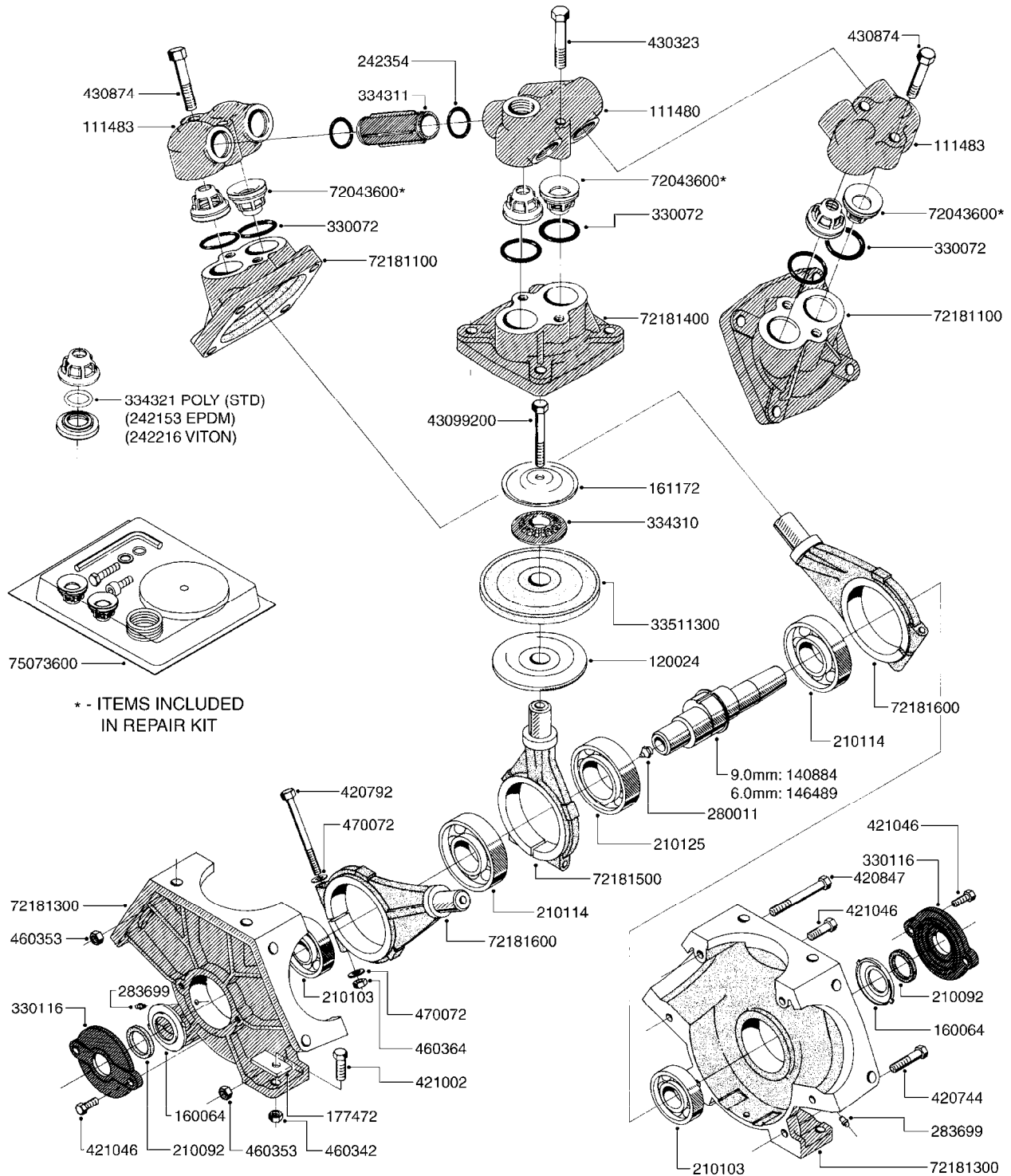


PUMP - 1302 W/ MOUNTING BASE
A190-HIN, 08:11:11

Page 1

Date 19.03.2013 9:41

parts-n°	order qty	description
111480	1	VALVE HEAD 1302 CENTER
111483	1	VALVE HEAD SIDE 1302
120024	1	DIAPHRAGM BACK DISC 1200-1300
140884	1	CRANK SHAFT MODEL 1300-9
146489	1	CRANK SHAFT MODEL 1302-6MM
160064	1	DUST PLATE
161172	1	DIAPHRAGM DISC F. 1203/1303
177472	1	BRACKET 25 X 5
210092	1	SEAL FELT D43/30X5
210103	1	BEARING BALL 6306
210114	1	BEARING BALL 6308
210125	1	BEARING BALL 6210
242153	1	O-RING D26X4 EPDM
242216	1	O-RING VITON F/1202/1302/462
242354	1	O-RING D32.2X3.0 VITON F.S-53
280011	1	GREASE NIPPLE 1/8' H TR
283699	1	GREASE NIPPLE M6X1
330072	1	O-RING D53,5/D45,5X4
330116	1	SEAL RETAINER, MODEL 1300
334310	1	NYLON WASHER 1202/1302/462
334311	1	CONNECTION PIPE INLET MOD.1302
334321	1	O-RING POLY. 34.0x26.0x4.0
420081	1	BOLT HEX 8.8 DEL 3/8'X40MM
420136	1	BOLT HEX 8.8 RAW 3/8'X30MM
420221	1	BOLT HEX 7/16'X2-1/4'
420346	1	BOLT HEX 8.8 DEL 3/8'X 25MM
420357	1	BOLT HEX 8.8 RAW 3/8'X85MM
420803	1	BOLT HEX 8.8 DEL M8X90
421002	1	BOLT HEX 8.8 DEL M10X30 FT
430076	1	BOLT HEX 8.8 RAW 1/2'X60MM
430404	1	BOLT HEX 8.8 DEL M12X50
430911	1	BOLT HEX 8.8 WG 1/2" x 70MM
460062	1	NUT HEX 3/8' GALV.
460342	1	NUT HEX M10
460364	1	NUT HEX M8 GALV.
460386	1	NUT HEX M12X1.75
470072	1	WASHER D15/D8X.5 LOCK
33511300	1	DIAPHRAGM 1203/1302 POLY 2006
72043600	1	VALVE FOR 462/463
72181100	1	DIAPHRAGM COVER 1203/1303+BLTS
72181300	1	PUMP CASTING 1300 RED W/BOLTS
72181400	1	DIAPHRAGM COVER 1303 W/BOLTS
72181500	1	CONNECTING ROD, CENTER 1303
72181600	1	CONNECTING ROD, SIDE MOD.1300
75073500	1	PUMP KIT 1300/1302 "06"



COMPLETE PUMPS
821635 - PUMP ONLY
10396203 - WITH PTO & DAMPER

COMPLETE ASSEMBLIES
WHOLEGOODS ITEMS

A191



PUMP - 1303 W/ MOUNTING BASE
A191-HIN, 08:11:11

Page 1

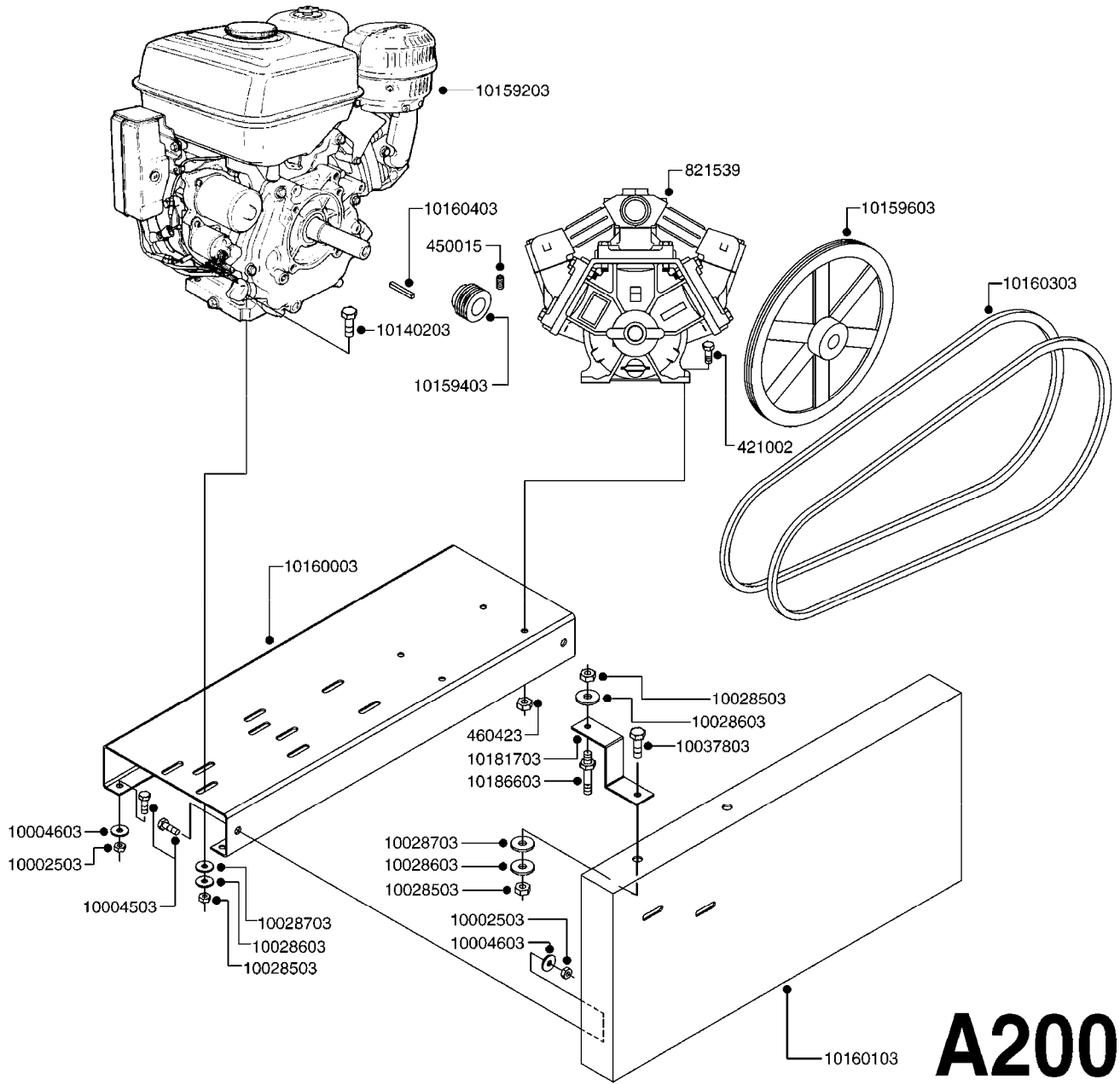
Date 19.03.2013 9:41

parts-n°	order qty	description
111480	1	VALVE HEAD 1302 CENTER
111483	1	VALVE HEAD SIDE 1302
120024	1	DIAPHRAGM BACK DISC 1200-1300
140884	1	CRANK SHAFT MODEL 1300-9
146489	1	CRANK SHAFT MODEL 1302-6MM
160064	1	DUST PLATE
161172	1	DIAPHRAGM DISC F. 1203/1303
177472	1	BRACKET 25 X 5
210092	1	SEAL FELT D43/30X5
210103	1	BEARING BALL 6306
210114	1	BEARING BALL 6308
210125	1	BEARING BALL 6210
242153	1	O-RING D26X4 EPDM
242216	1	O-RING VITON F/1202/1302/462
242354	1	O-RING D32.2X3.0 VITON F.S-53
280011	1	GREASE NIPPLE 1/8' H TR
283699	1	GREASE NIPPLE M6X1
330072	1	O-RING D53,5/D45,5X4
330116	1	SEAL RETAINER, MODEL 1300
334310	1	NYLON WASHER 1202/1302/462
334311	1	CONNECTION PIPE INLET MOD.1302
334321	1	O-RING POLY. 34.0x26.0x4.0
420744	1	BOLT HEX 8.8 DEL M8X40
420792	1	BOLT HEX 8.8 RAW M8X95
420847	1	BOLT HEX 8.8 DEL M8X85
421002	1	BOLT HEX 8.8 DEL M10X30 FT
421046	1	BOLT HEX 8.8 DEL M8X25 FT
430323	1	BOLT HEX 8.8 DEL M12X60
430874	1	SCREW SET 8.8 DEL M12X70 FT
460342	1	NUT HEX M10
460353	1	NUT HEX M8 BLACK
460364	1	NUT HEX M8 GALV.
470072	1	WASHER D15/D8X.5 LOCK
821635	1	PUMP 1303/9 540RPM
10396203	1	PUMP 1303 C/W PTO 540 RPM
33511300	1	DIAPHRAGM 1203/1302 POLY 2006
43099200	1	BOLT HEX SS M12 X 30 DIN933 A4
72043600	1	VALVE FOR 462/463
72181100	1	DIAPHRAGM COVER 1203/1303+BLTS
72181300	1	PUMP CASTING 1300 RED W/BOLTS
72181400	1	DIAPHRAGM COVER 1303 W/BOLTS
72181500	1	CONNECTING ROD, CENTER 1303
72181600	1	CONNECTING ROD, SIDE MOD.1300
75073600	1	PUMP KIT 1303MM



PUMP - 1301/1302 W/ B&S 8 HP
A200-HIN, 01:01:01

Page 0
Date 19.03.2013 9:42





PUMP - 1301/1302 W/ B&S 8 HP
A200-HIN, 01:01:01

Page 1

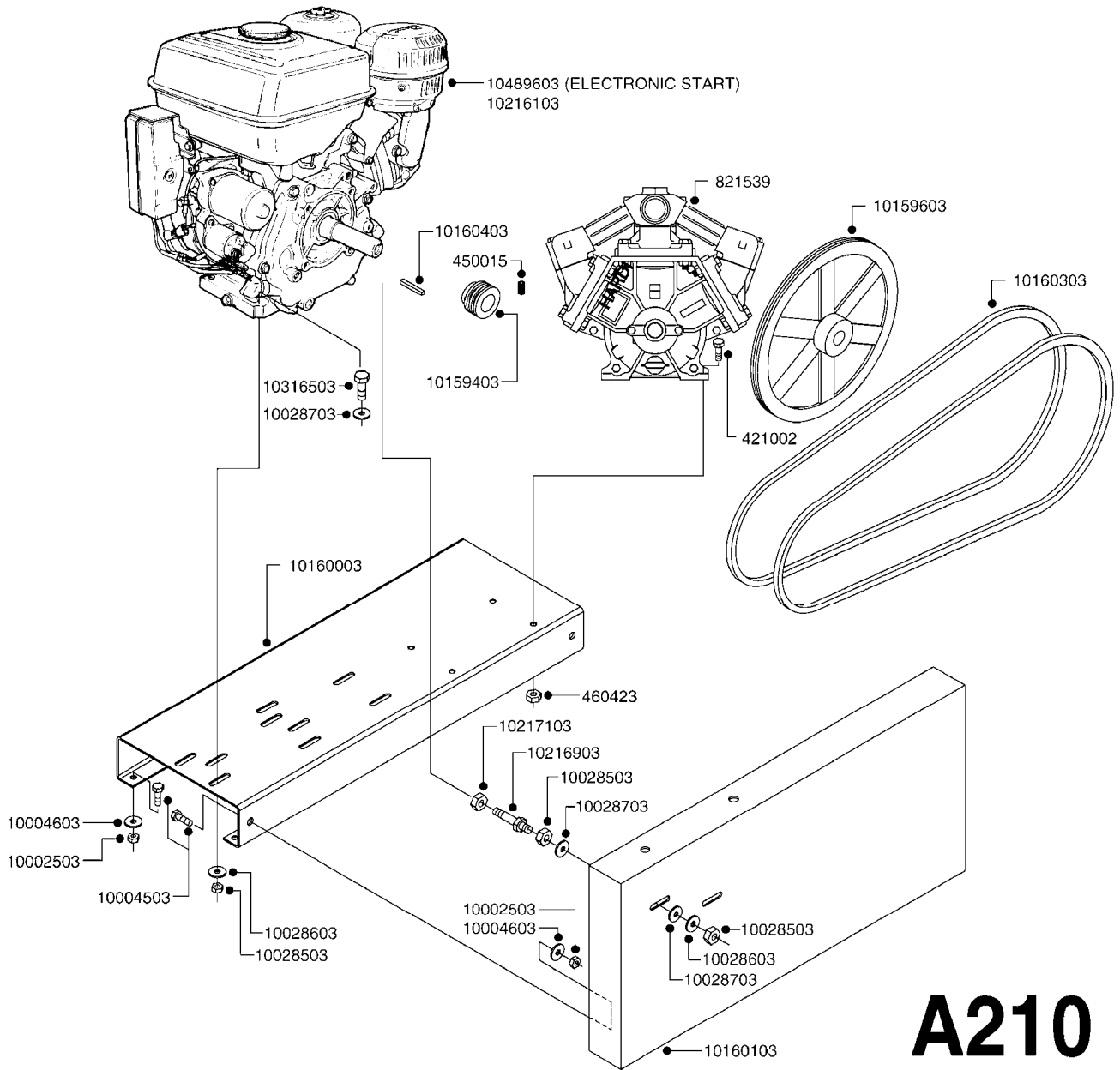
Date 19.03.2013 9:42

parts-n°	order qty	description
10002503	1	NUT HEX NC 1/2"
10004503	1	BOLT HEX 1/2 NC GR.5 01.50"
10004603	1	WASHER LOCK 1/2"
10028503	1	NUT HEX NC 5/16'
10028603	1	WASHER LOCK 5/16'
10028703	1	WASHER PLATE 5/16
10037803	1	BOLT HEX 5/16 NC GR.2 00.75'
10140203	1	BOLT HEX 5/16 NC GR.2 02.00'
10159203	1	ENG.B&S 8HP A19402
10159403	1	PULLEY-2.35 OD X 1' BORE - 2AK
10159603	1	PULLEY-12.25 TAPER BORE 1301
10160003	1	BASE PUMP - 5HP/1200, 8HP/1301
10160103	1	SHIELD FOR 5HP/1200, 8HP/1301
10160303	1	VEE BELT - 1/2'X60 OD (4L600)
10160403	1	KEY - 1/4' SQ. X 1-1/2' LONG
10181703	1	BRACE FOR SHIELD 1301 8HP
10186603	1	BOLT STUD F.8HP ENGIN 93776
421002	1	BOLT HEX 8.8 DEL M10X30 FT
450015	1	SCREW ALLAN 3/8'X5/8' BLACK
460423	1	NUT HEX M10X1.5 LOCK
821539	1	PUMP 1302/9 540RPM



PUMP - 1301/1302 W/ HONDA 8 HP
A210-HIN, 01:01:01

Page 0
Date 19.03.2013 9:42





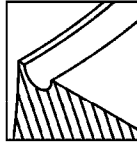
PUMP - 1301/1302 W/ HONDA 8 HP
A210-HIN, 01:01:01

parts-n°	order qty	description
10002503	1	NUT HEX NC 1/2"
10004503	1	BOLT HEX 1/2 NC GR.5 01.50"
10004603	1	WASHER LOCK 1/2"
10028503	1	NUT HEX NC 5/16'
10028603	1	WASHER LOCK 5/16'
10028703	1	WASHER PLATE 5/16
10159403	1	PULLEY-2.35 OD X 1' BORE - 2AK
10159603	1	PULLEY-12.25 TAPER BORE 1301
10160003	1	BASE PUMP - 5HP/1200, 8HP/1301
10160103	1	SHIELD FOR 5HP/1200, 8HP/1301
10160303	1	VEE BELT - 1/2'X60 OD (4L600)
10160403	1	KEY - 1/4' SQ. X 1-1/2' LONG
10216103	1	ENG.HON.8HP AGX240QT
10216903	1	BOLT STUD 5/16 NF&NC GR5 05.5'
10217103	1	NUT HEX NF 5/16
10316503	1	BOLT HEX 3/8 NC GR.2 02.00'
10489603	1	ENG.HON.8 ELEC. GX240KIQA
421002	1	BOLT HEX 8.8 DEL M10X30 FT
450015	1	SCREW ALLAN 3/8'X5/8' BLACK
460423	1	NUT HEX M10X1.5 LOCK
821539	1	PUMP 1302/9 540RPM



Housing for Black Diaphragm-

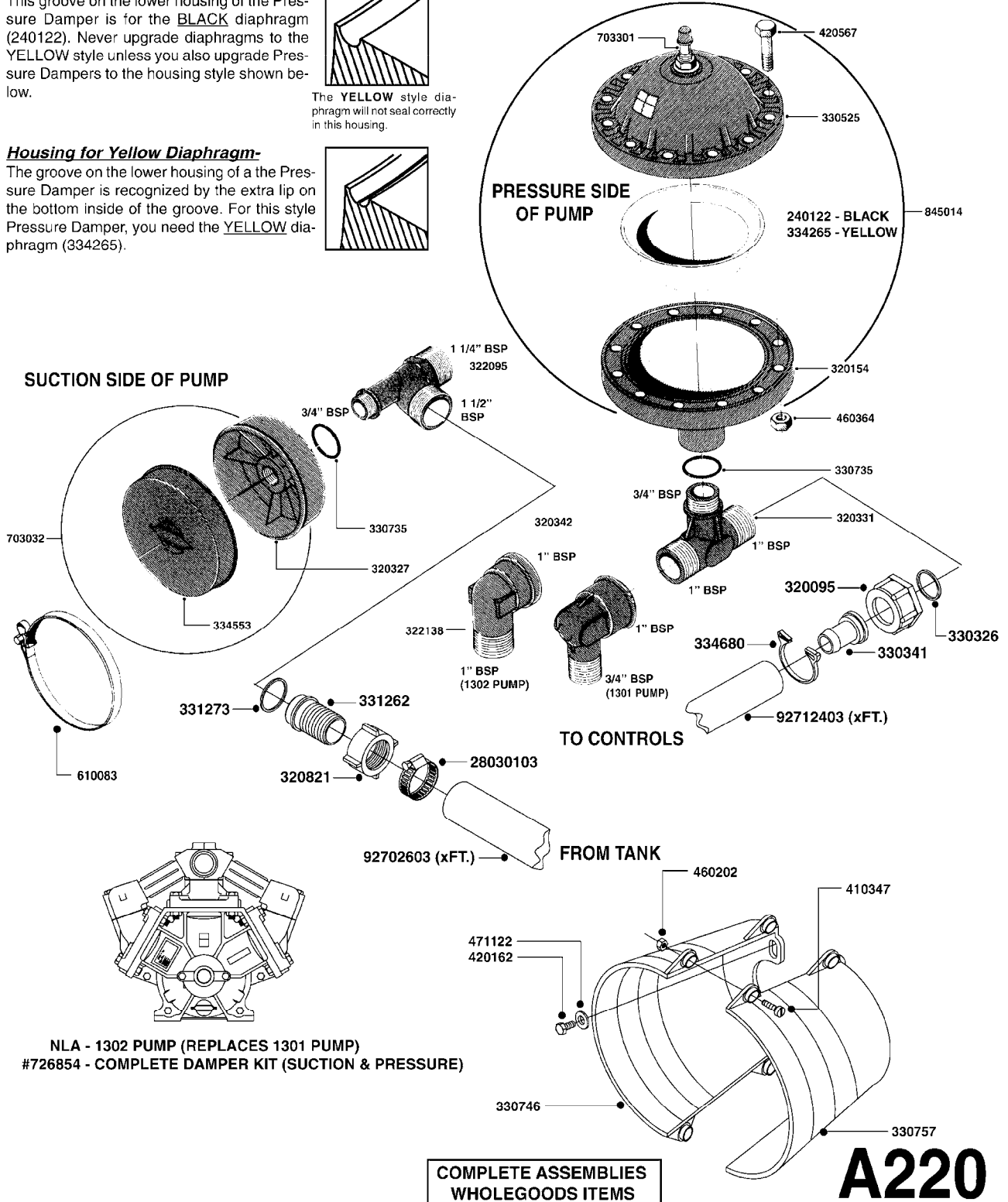
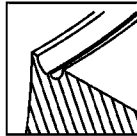
This groove on the lower housing of the Pressure Damper is for the BLACK diaphragm (240122). Never upgrade diaphragms to the YELLOW style unless you also upgrade Pressure Dampers to the housing style shown below.



The YELLOW style diaphragm will not seal correctly in this housing.

Housing for Yellow Diaphragm-

The groove on the lower housing of a the Pressure Damper is recognized by the extra lip on the bottom inside of the groove. For this style Pressure Damper, you need the YELLOW diaphragm (334265).



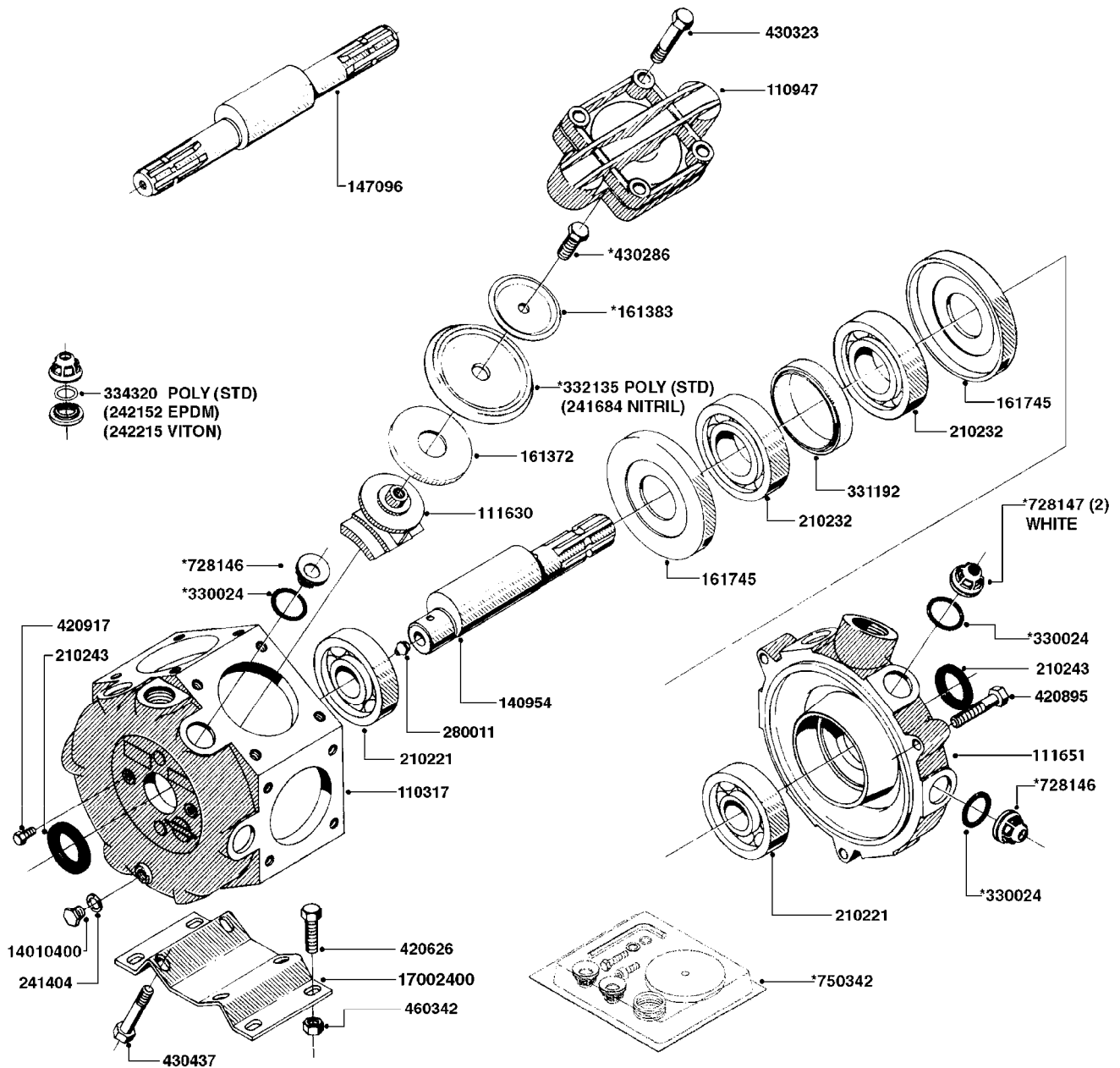
NLA - 1302 PUMP (REPLACES 1301 PUMP)
#726854 - COMPLETE DAMPER KIT (SUCTION & PRESSURE)



PUMP - 1301/1302 FITTINGS
A220-HIN, 08:12:09

Page 1
Date 19.03.2013 9:42

parts-n°	order qty	description
240122	1	DIAPHRAGM FOR PRES.DAMP.(EPDM)
320095	1	FITT.DK NUT 1" BSP
320154	1	AIR BOTTLE, BOTTOM PART
320327	1	HOUSING F. SUCTION AIR BOTTLE
320331	1	FITT.DK TEE 1" - 1" - 3/4" BSP
320342	1	FITT.DK EL 3/4"M X 1"F BSP
320821	1	FITT.DK NUT 1-1/2" BSP
322095	1	FITT.DK TEE 1-1/2 X1 X3/4" BSP
322138	1	FITT.DK ELB 1"M X 1"F BSP
330326	1	O-RING D30/D24X2 F.1"NUT
330341	1	FITT.DK HB 1" F. 1" NUT
330525	1	AIR BOTTLE, TOP HALF
330735	1	O-RING D30/D26X2
330746	1	GUARD PTO LOWER PART
330757	1	GUARD PTO UPPER PART
331262	1	FITT.DK HB 1-1/2" F. 1-1/2"NUT
331273	1	O-RING D44/D38X2 F.1-1/2"
334265	1	DIAPHRAGM F. PRESS DAMP.NITRIL
334553	1	DIAPHRAGM F.SUCTION AIR BOTTLE
334680	1	CLAMP HOSE PLASTIC 1"
410347	1	SCREW M6X20 8.8
420162	1	BOLT HEX 8.8 DEL 3/8"x15MM
420567	1	BOLT HEX 8.8 DEL M8X30 FT
460202	1	NUT HEX M6
460364	1	NUT HEX M8 GALV.
471122	1	WASHER D20/D10.5X2 SS
610083	1	RET. BAND FOR SUCT. AIR BOTTLE
703032	1	SUCTION AIR BOTTLE 3/4" COMPL.
703301	1	VALVE FOR AIR BOTTLE
726854	1	DAMPER KIT 1203/1303
845014	1	AIR BOTTLE COMPLETE HJ73
28030103	1	CLAMP HOSE GEAR P5/4-S1.5"6724
92702603	1	HOSE PVC SUCT GRAY 1-1/2"
92712403	1	HOSE R X1" X300PSI WP X0012"



COMPLETE PUMP
(NLA) REPLACED BY 821579 (363 - 540 RPM)

COMPLETE ASSEMBLIES
WHOLEGOODS ITEMS

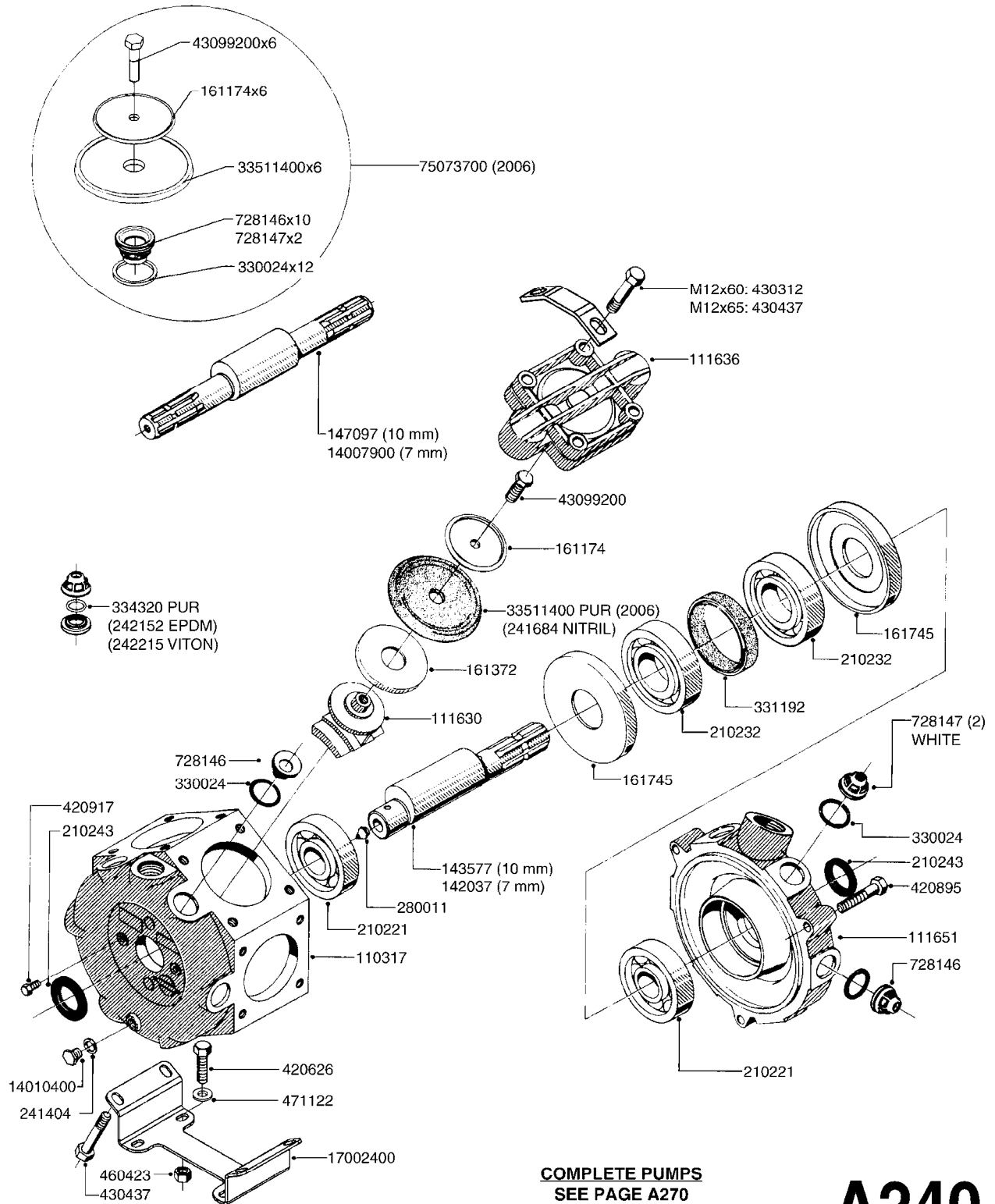
A230



PUMP - 361 W/MOUNTING BASE
A230-HIN, 10:12:05

Page 1
Date 19.03.2013 9:42

parts-n°	order qty	description
110317	1	PUMP CASING MODEL 360/361 PNTD
110947	1	VALVE COVER MDL 361 (PAINTED)
111630	1	CONNECTING ROD F. 363 PUMP
111651	1	CASTING F.363 1.5" PUMP(FRONT)
140954	1	CRANK SHAFT MODEL 360/361
147096	1	CRANK SHAFT 361/9.5 THROUGH
161372	1	DIAPHRAGM BACKING DISC,320-361
161383	1	DIAPHRAGM UPPER DISC, 320-361
161745	1	METAL SPACER F.363/463
210221	1	BEARING BALL 6407
210232	1	BEARING BALL 6310
210243	1	SEAL OIL 35 X 47 X 7
241404	1	DOWTYSEAL 1/4"
241684	1	DIAPHRAGM MODEL 361 NITRIL
242152	1	O-RING D18.2X3 EPDM
242215	1	O-RING D18X3 VITON
280011	1	GREASE NIPPLE 1/8' H TR
330024	1	O-RING D41,1/D34.5 X 3,5
331192	1	SPACER,
332135	1	DIAPHRAGM, POLY alt 33511400
334320	1	O-RING D18X3 POLYURETHANE
420626	1	BOLT HEX 8.8 DEL M10X20 FT
420895	1	BOLT HEX 8.8 RAW M10X60
420917	1	BOLT HEX 8.8 RAW M8X12 FT
430286	1	BOLT HEX 8.8 DEL M12X30 FT
430323	1	BOLT HEX 8.8 DEL M12X60
430437	1	BOLT HEX 8.8 RAW M12X65
460342	1	NUT HEX M10
728146	1	VALVE FOR 361(726890/707932)
728147	1	VALVE FOR 361 WHITE WITH HOLE
750342	1	PUMP KIT F. 361/363
821579	1	PUMP 363-1.25 SU.(540)
14010400	1	PLUG 1/4" BSP
17002400	1	FOOT F/363 PUMP (PAINTED)



COMPLETE PUMPS
SEE PAGE A270

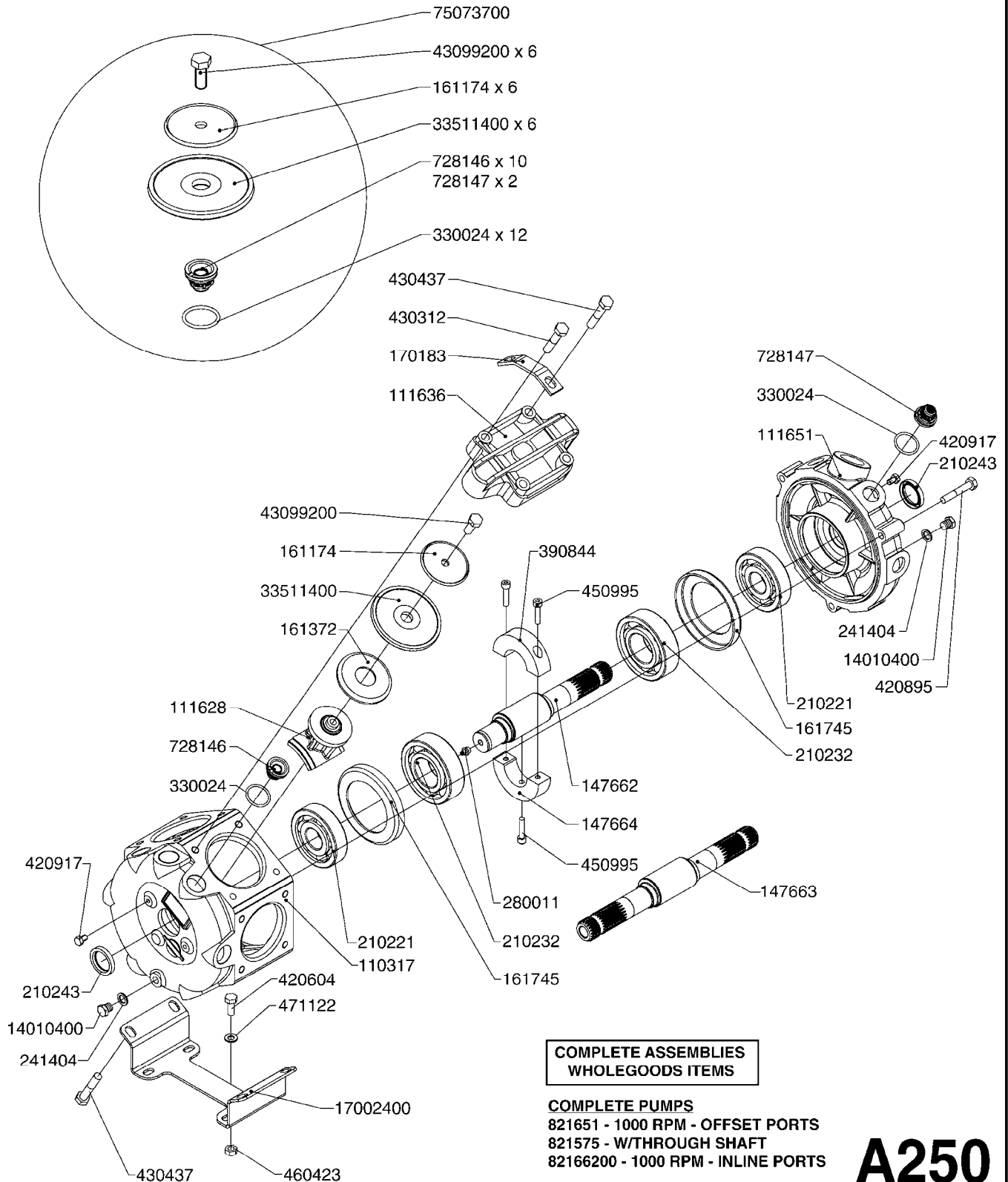
A240



PUMP - 363 W/MOUNTING BASE
A240-HIN, 01:12:11

Page 1
Date 19.03.2013 9:42

parts-n°	order qty	description
110317	1	PUMP CASING MODEL 360/361 PNTD
111630	1	CONNECTING ROD F. 363 PUMP
111636	1	VALVE COVER 363 HEAVY DUTY
111651	1	CASTING F.363 1.5" PUMP(FRONT)
142037	1	CRANK SHAFT 361-20
143577	1	CRANK SHAFT F.363/462/463-10mm
147097	1	CRANK SHAFT 363-463/10 THROUGH
161174	1	DIAPHRAGM DISC SS F.363 PUMP
161372	1	DIAPHRAGM BACKING DISC,320-361
161745	1	METAL SPACER F.363/463
210221	1	BEARING BALL 6407
210232	1	BEARING BALL 6310
210243	1	SEAL OIL 35 X 47 X 7
241404	1	DOWTYSEAL 1/4"
241684	1	DIAPHRAGM MODEL 361 NITRIL
242152	1	O-RING D18.2X3 EPDM
242215	1	O-RING D18X3 VITON
280011	1	GREASE NIPPLE 1/8' H TR
330024	1	O-RING D41,1/D34.5 X 3,5
331192	1	SPACER,
334320	1	O-RING D18X3 POLYURETHANE
420626	1	BOLT HEX 8.8 DEL M10X20 FT
420895	1	BOLT HEX 8.8 RAW M10X60
420917	1	BOLT HEX 8.8 RAW M8X12 FT
430312	1	BOLT HEX 8.8 RAW M12X60
430437	1	BOLT HEX 8.8 RAW M12X65
460423	1	NUT HEX M10X1.5 LOCK
471122	1	WASHER D20/D10.5X2 SS
728146	1	VALVE FOR 361(726890/707932)
728147	1	VALVE FOR 361 WHITE WITH HOLE
14007900	1	CRANK 363/462/463-7mm 540/THRU
14010400	1	PLUG 1/4" BSP
17002400	1	FOOT F/363 PUMP (PAINTED)
33511400	1	DIAPHRAGM 361/363 pur 2006
43099200	1	BOLT HEX SS M12 X 30 DIN933 A4
75073700	1	PUMP KIT 363 2006



A250



PUMP - 363/1000 RPM W/MOUNTING
A250-HIN, 01:12:11

Page 1
Date 19.03.2013 9:42

parts-n°	order qty	description
110317	1	PUMP CASING MODEL 360/361 PNTD
111628	1	CONNECTING ROD 363/5.5MM
111636	1	VALVE COVER 363 HEAVY DUTY
111651	1	CASTING F.363 1.5" PUMP(FRONT)
147662	1	CRANK SHAFT F.363/463-5.5MM
147663	1	CRANK SHAFT 363/463-5.5 THROUG
147664	1	COUNTERBALANCE 363/463 WEIGHT
161174	1	DIAPHRAGM DISC SS F.363 PUMP
161372	1	DIAPHRAGM BACKING DISC,320-361
161745	1	METAL SPACER F.363/463
170183	1	LIFT STRAP F.PUMP 360/361/462
210221	1	BEARING BALL 6407
210232	1	BEARING BALL 6310
210243	1	SEAL OIL 35 X 47 X 7
241404	1	DOWTYSEAL 1/4"
280011	1	GREASE NIPPLE 1/8' H TR
330024	1	O-RING D41,1/D34.5 X 3,5
390844	1	COUNTERBALANCE 363/463 POM
420604	1	BOLT HEX 8.8 DEL M10X25 FT
420895	1	BOLT HEX 8.8 RAW M10X60
420917	1	BOLT HEX 8.8 RAW M8X12 FT
430312	1	BOLT HEX 8.8 RAW M12X60
430437	1	BOLT HEX 8.8 RAW M12X65
450995	1	BOLT ALLEN M8X30 DIN 912 RAW
460423	1	NUT HEX M10X1.5 LOCK
471122	1	WASHER D20/D10.5X2 SS
728146	1	VALVE FOR 361(726890/707932)
728147	1	VALVE FOR 361 WHITE WITH HOLE
821575	1	PUMP 363/5.5 THROUGH SHAFT
821651	1	PUMP 363/5.5/1000 OSP
14010400	1	PLUG 1/4" BSP
17002400	1	FOOT F/363 PUMP (PAINTED)
33511400	1	DIAPHRAGM 361/363 pur 2006
43099200	1	BOLT HEX SS M12 X 30 DIN933 A4
75073700	1	PUMP KIT 363 2006
82166200	1	PUMP 363/5.5 1.5"SUC 1000RPM



PUMP - 361 W/ HONDA 11HP
A260-HIN, 01:01:01

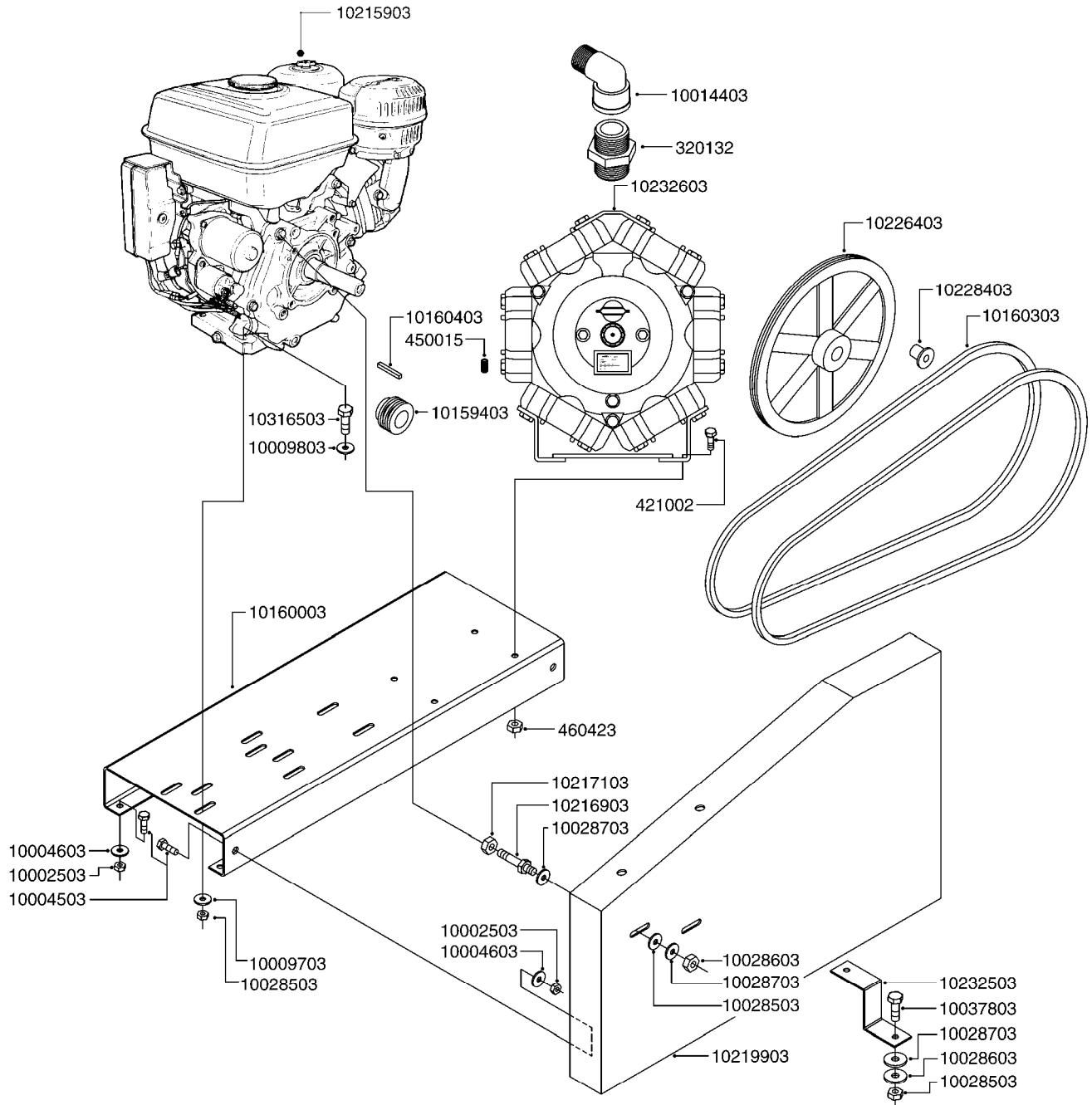
Page

0

Date

19.03.2013

9:42



A260



PUMP - 361 W/ HONDA 11HP
A260-HIN, 01:01:01

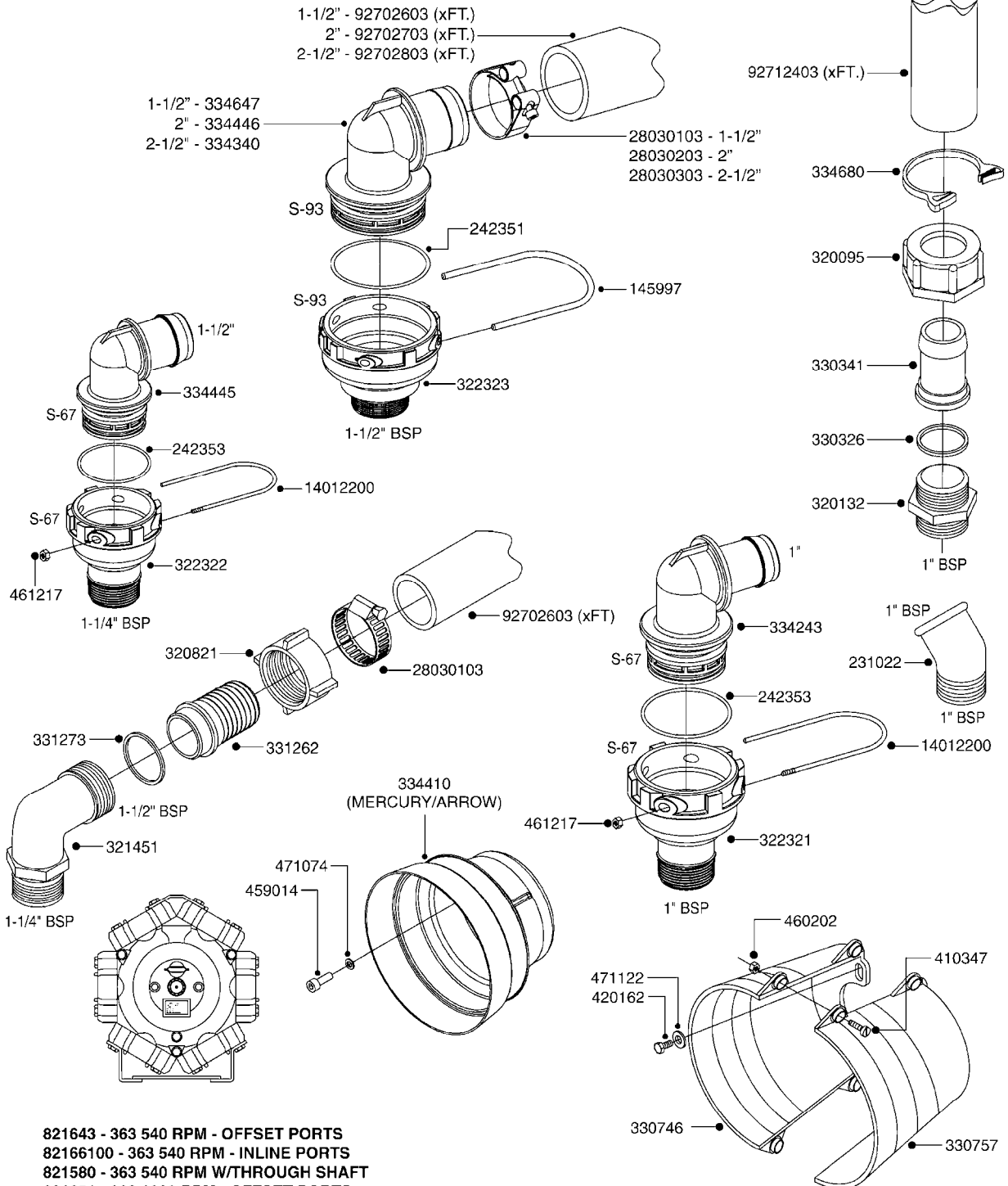
Page 1
Date 19.03.2013 9:42

parts-n°	order qty	description
10002503	1	NUT HEX NC 1/2"
10004503	1	BOLT HEX 1/2 NC GR.5 01.50"
10004603	1	WASHER LOCK 1/2"
10009703	1	WASHER LOCK L/W Z 3/8"
10009803	1	WASHER PLATE 3/8"
10014403	1	FITT.PO.SE 1.00X1.00 SE100
10028503	1	NUT HEX NC 5/16'
10028603	1	WASHER LOCK 5/16'
10028703	1	WASHER PLATE 5/16
10037803	1	BOLT HEX 5/16 NC GR.2 00.75'
10159403	1	PULLEY-2.35 OD X 1' BORE - 2AK
10160003	1	BASE PUMP - 5HP/1200, 8HP/1301
10160303	1	VEE BELT - 1/2'X60 OD (4L600)
10160403	1	KEY - 1/4' SQ. X 1-1/2' LONG
10215903	1	ENG.HON.11HP AEGX340QA
10216903	1	BOLT STUD 5/16 NF&NC GR5 05.5'
10217103	1	NUT HEX NF 5/16
10219903	1	SHIELD BELT 11 HP/361 HONDA
10226403	1	PULLEY 1/2 DOB.14'TAPER BOAR
10228403	1	HUB 540 6 SPLINE TAPER LOCK
10232503	1	BRACE FOR SHIELD 11HP 361
10232603	1	PUMP 361 FOR 11HP
10316503	1	BOLT HEX 3/8 NC GR.2 02.00'
320132	1	FITT.DK HN 1" BSP
421002	1	BOLT HEX 8.8 DEL M10X30 FT
450015	1	SCREW ALLAN 3/8'X5/8' BLACK
460423	1	NUT HEX M10X1.5 LOCK



SUCTION SIDE OF PUMP

PRESSURE SIDE OF PUMP



- 821643 - 363 540 RPM - OFFSET PORTS
- 82166100 - 363 540 RPM - INLINE PORTS
- 821580 - 363 540 RPM W/THROUGH SHAFT
- 821651 - 363 1000 RPM - OFFSET PORTS
- 82166200 - 363 1000 RPM - INLINE PORTS
- 821575 - 363 1000 RPM W/THROUGH SHAFT

**COMPLETE ASSEMBLIES
WHOLEGOODS ITEMS**

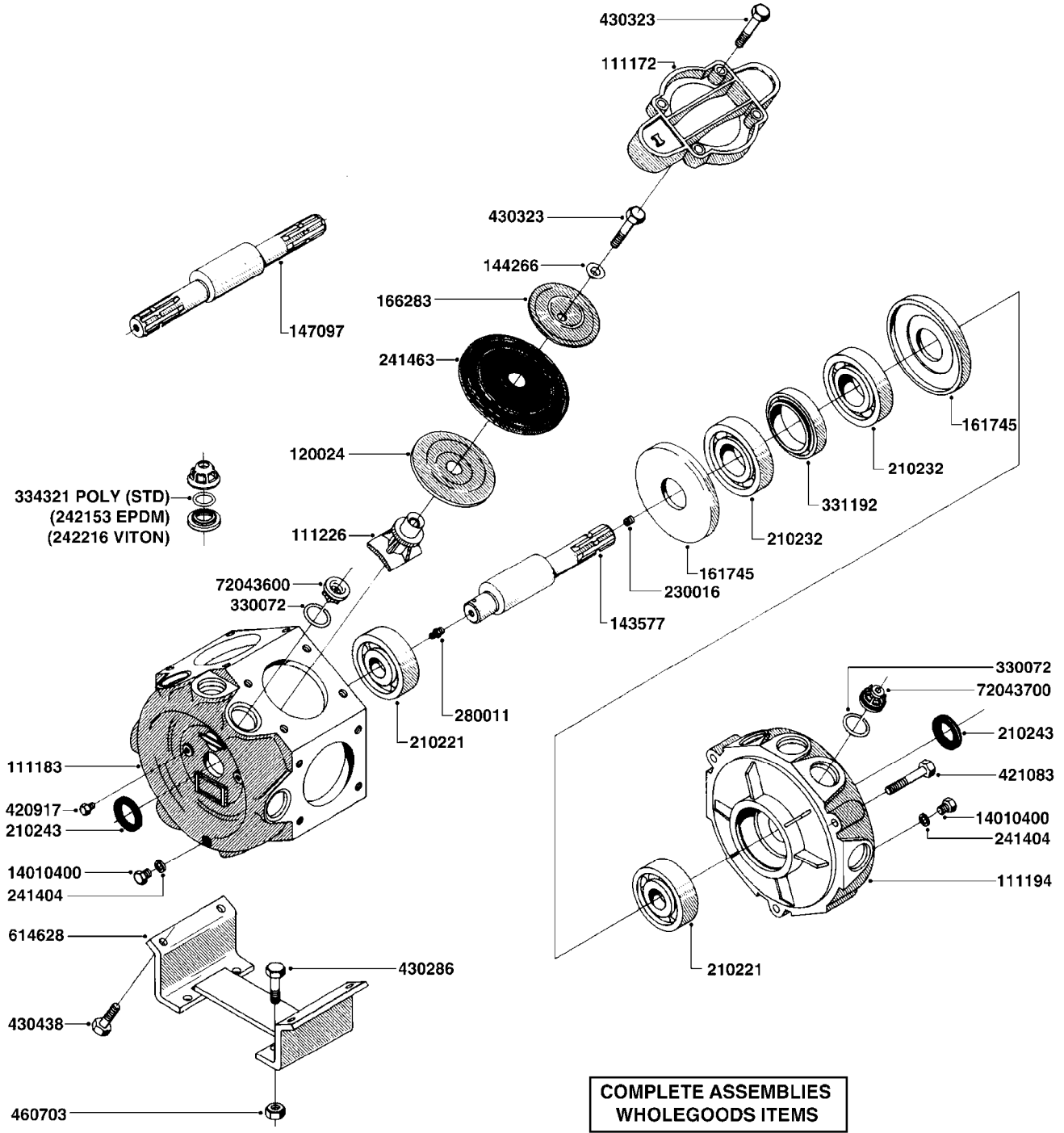
A270



PUMP - 361/363 FITTINGS
A270-HIN, 01:12:11

Page 1
Date 19.03.2013 9:42

parts-n°	order qty	description
145997	1	FITT.DK S-93 FORK
231022	1	FITT.DK ELB. 1' BSP GF 121
242351	1	O-RING D69.5X3.0 VITON F.S-93
242353	1	O-RING D44.2X3.0 VITON F.S-67
320095	1	FITT.DK NUT 1" BSP
320132	1	FITT.DK HN 1" BSP
320821	1	FITT.DK NUT 1-1/2" BSP
321451	1	FITT.DK ELB.1-1/2 X1-1/4 80DEG
322321	1	FITT.DK S-67 X 1"BSP MALE
322322	1	FITT.DK S-67 X 1-1/4"BSP MALE
322323	1	FITT.DK S-93 X 1-1/2"BSP MALE
330326	1	O-RING D30/D24X2 F.1"NUT
330341	1	FITT.DK HB 1" F. 1" NUT
330746	1	GUARD PTO LOWER PART
330757	1	GUARD PTO UPPER PART
331262	1	FITT.DK HB 1-1/2" F. 1-1/2"NUT
331273	1	O-RING D44/D38X2 F.1-1/2"
334243	1	FITT.DK S-67 ELB.1"
334340	1	FITT.DK S-93 ELB.2-1/2' PVC
334410	1	PROTECTION GUARD
334445	1	FITT.DK S-67 ELB.1-1/2"
334446	1	FITT.DK S-93 ELB. 2' RUBBER
334647	1	FITT.DK S93 ELB 1-1/2" 90 PVC
334680	1	CLAMP HOSE PLASTIC 1"
410347	1	SCREW M6X20 8.8
420162	1	BOLT HEX 8.8 DEL 3/8"x15MM
459014	1	ALLEN SCREW M8 X 15 GALV.DIN93
460202	1	NUT HEX M6
461217	1	NUT HEX M5 LOCK
471074	1	WASHER M8 ELZ
471122	1	WASHER D20/D10.5X2 SS
821575	1	PUMP 363/5.5 THROUGH SHAFT
821580	1	PUMP 363/10 THROUGH SHAFT
821643	1	PUMP 363/10 1.5"SUC 540RPM OSP
821651	1	PUMP 363/5.5/1000 OSP
14012200	1	FITT.DK S-67 FORK W/M5 THREADS
28030103	1	CLAMP HOSE GEAR P5/4-S1.5"6724
28030203	1	CLAMP HOSE T-BOLT S2" 235-67
28030303	1	CLAMP HOSE T-BOLT S2.5" 235-76
82166100	1	PUMP 363/10 1.5"SUC 540RPM
82166200	1	PUMP 363/5.5 1.5"SUC 1000RPM
92702603	1	HOSE PVC SUCT GRAY 1-1/2"
92702703	1	HOSE PVC SUCT GRAY 2"
92702803	1	HOSE PVC SUCT GRAY 2-1/2"
92712403	1	HOSE R X1" X300PSI WP X0012"



COMPLETE ASSEMBLIES
WHOLEGOODS ITEMS

COMPLETE PUMP
(NLA) REPLACED BY 821649 (463 - 540 RPM)

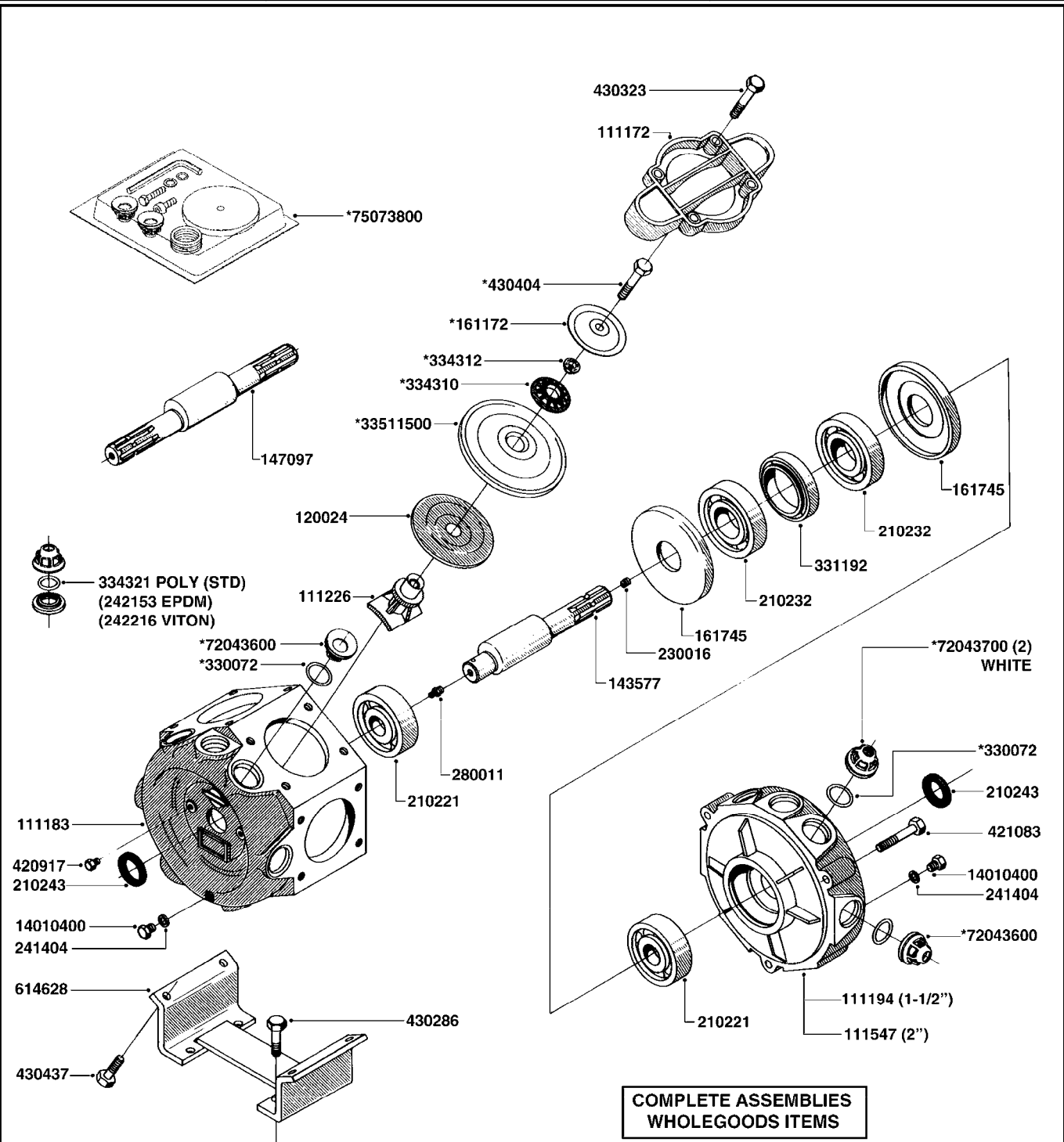
A280



PUMP - 460 W/MOUNTING BASE
A280-HIN, 08:11:11

Page 1
Date 19.03.2013 9:42

parts-n°	order qty	description
111172	1	VALVE CHAMBER 460 (PAINTED)
111183	1	PUMP CASTING 460 (PAINTED)
111194	1	PUMP CASTING FT.460 (PAINTED)
111226	1	CONNECTING ROD MODEL 460
120024	1	DIAPHRAGM BACK DISC 1200-1300
143577	1	CRANK SHAFT F.363/462/463-10mm
144266	1	WASHER FOR 460 PUMP
147097	1	CRANK SHAFT 363-463/10 THROUGH
161745	1	METAL SPACER F.363/463
166283	1	DIAPHRAGM UPPER DISC MOD. 460
210221	1	BEARING BALL 6407
210232	1	BEARING BALL 6310
210243	1	SEAL OIL 35 X 47 X 7
230016	1	PLUG 1/8' BSP TYPE P
241404	1	DOWTYSEAL 1/4"
241463	1	DIAPHRAGM MODEL 460
242153	1	O-RING D26X4 EPDM
242216	1	O-RING VITON F/1202/1302/462
280011	1	GREASE NIPPLE 1/8' H TR
330072	1	O-RING D53,5/D45,5X4
331192	1	SPACER,
334321	1	O-RING POLY. 34.0x26.0x4.0
420917	1	BOLT HEX 8.8 RAW M8X12 FT
421083	1	BOLT HEX 8.8 DEL M10X65
430286	1	BOLT HEX 8.8 DEL M12X30 FT
430323	1	BOLT HEX 8.8 DEL M12X60
430438	1	BOLT HEX 8.8 DEL M12X65
460703	1	NUT HEX M12X1.75 LOCK
614628	1	FOOT FOR PUMP 460-463 PAINTED
821649	1	PUMP 463/12/540 OFFSET PORTS
14010400	1	PLUG 1/4" BSP
72043600	1	VALVE FOR 462/463
72043700	1	VALVE FOR 462/463 W.VENT HOLE



COMPLETE ASSEMBLIES
WHOLEGOODS ITEMS

COMPLETE PUMP
(NLA) REPLACED BY 821649 (463- 540 RPM)

A290



PUMP - 462 W/MOUNTING BASE
A290-HIN, 08:11:11

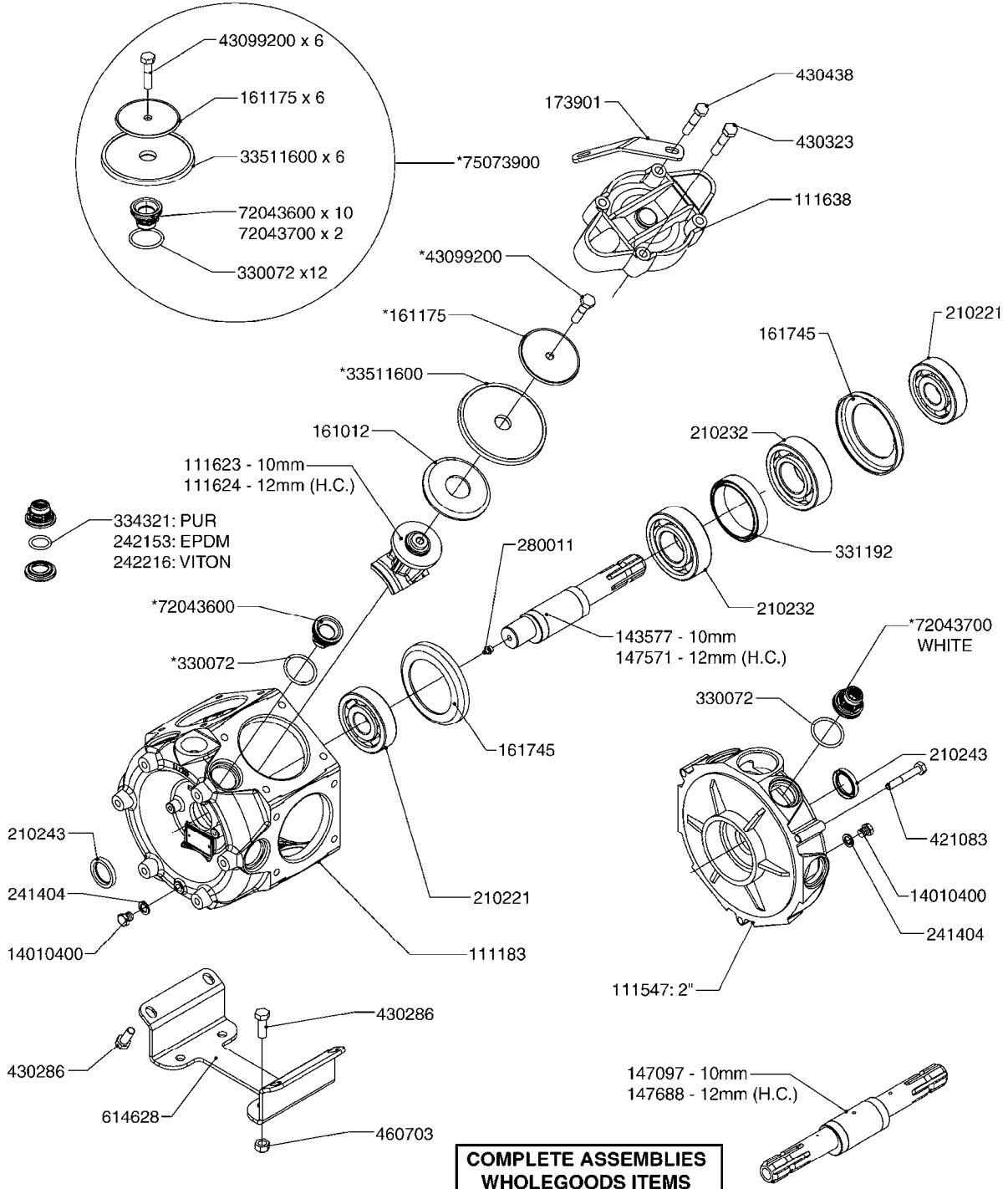
Page 1

Date 19.03.2013 9:42

parts-n°	order qty	description
111172	1	VALVE CHAMBER 460 (PAINTED)
111183	1	PUMP CASTING 460 (PAINTED)
111194	1	PUMP CASTING FT.460 (PAINTED)
111226	1	CONNECTING ROD MODEL 460
111547	1	PUMP CASTING 462-2' (PAINTED)
120024	1	DIAPHRAGM BACK DISC 1200-1300
143577	1	CRANK SHAFT F.363/462/463-10mm
147097	1	CRANK SHAFT 363-463/10 THROUGH
161172	1	DIAPHRAGM DISC F. 1203/1303
161745	1	METAL SPACER F.363/463
210221	1	BEARING BALL 6407
210232	1	BEARING BALL 6310
210243	1	SEAL OIL 35 X 47 X 7
230016	1	PLUG 1/8' BSP TYPE P
241404	1	DOWTYSEAL 1/4"
242153	1	O-RING D26X4 EPDM
242216	1	O-RING VITON F/1202/1302/462
280011	1	GREASE NIPPLE 1/8' H TR
330072	1	O-RING D53,5/D45,5X4
331192	1	SPACER,
334310	1	NYLON WASHER 1202/1302/462
334312	1	PLASTIC SPACER F/462
334321	1	O-RING POLY. 34.0x26.0x4.0
420917	1	BOLT HEX 8.8 RAW M8X12 FT
421083	1	BOLT HEX 8.8 DEL M10X65
430286	1	BOLT HEX 8.8 DEL M12X30 FT
430323	1	BOLT HEX 8.8 DEL M12X60
430404	1	BOLT HEX 8.8 DEL M12X50
430437	1	BOLT HEX 8.8 RAW M12X65
460703	1	NUT HEX M12X1.75 LOCK
614628	1	FOOT FOR PUMP 460-463 PAINTED
821649	1	PUMP 463/12/540 OFFSET PORTS
14010400	1	PLUG 1/4" BSP
33511500	1	DIAPHRAGM 462 PUR 2006
72043600	1	VALVE FOR 462/463
72043700	1	VALVE FOR 462/463 W.VENT HOLE
75073800	1	PUMP KIT F. 462 2006



PUMP REPAIR KIT



**COMPLETE ASSEMBLIES
WHOLEGOODS ITEMS**

COMPLETE PUMPS

- 821587 - 463/10 2" W/THROUGH SHAFT (540 RPM)
- 821649 - 463/12 2" (540 RPM H.C. OFFSET PORTS)
- 82166300 - 463/12 2" (540 RPM H.C. INLINE PORTS)

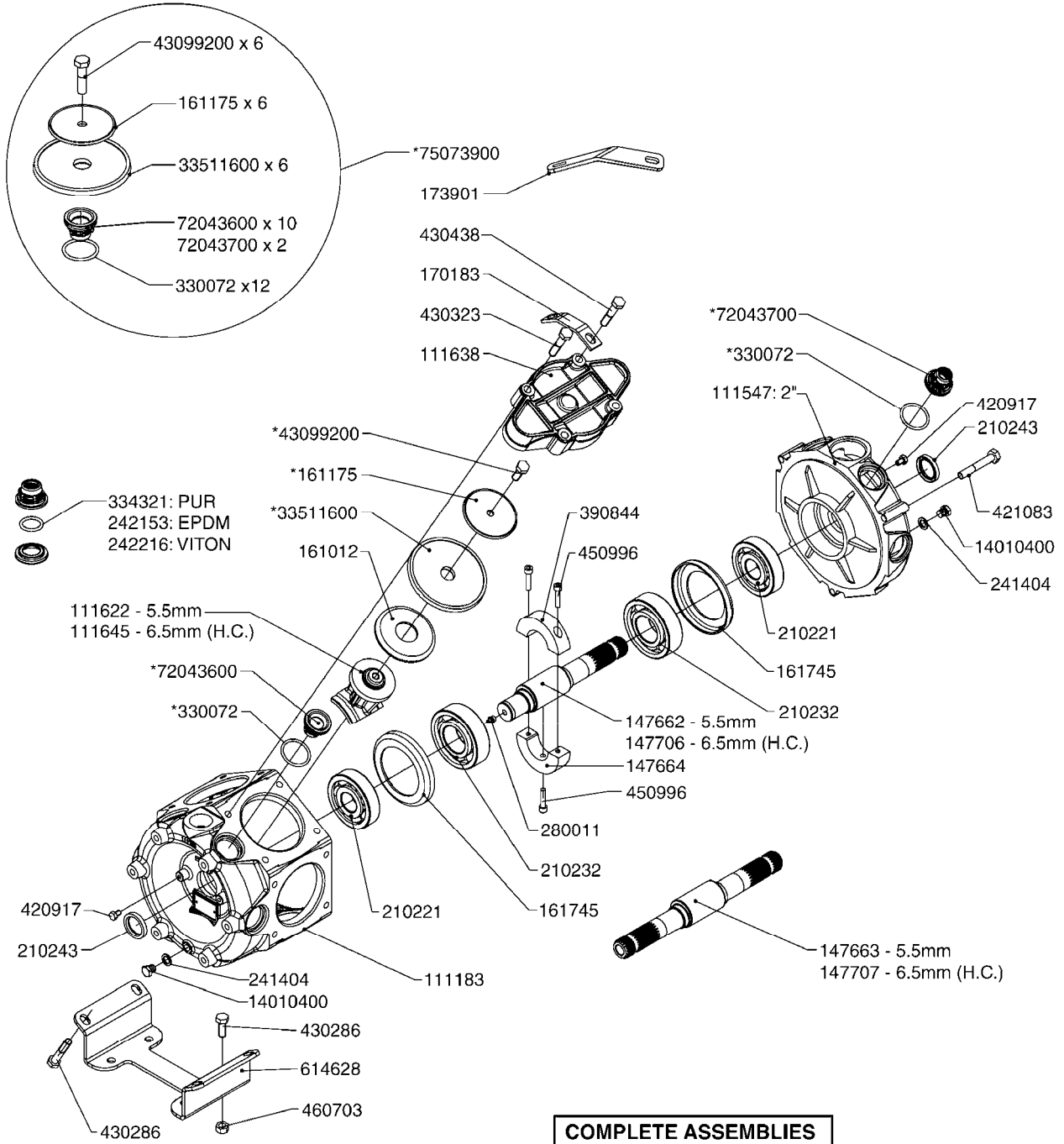
A300



PUMP - 463 W/ MOUNTING BASE
A300-HIN, 01:12:11

Page 1
Date 19.03.2013 9:42

parts-n°	order qty	description
111183	1	PUMP CASTING 460 (PAINTED)
111547	1	PUMP CASTING 462-2' (PAINTED)
111623	1	CONNECTING ROD 463/10MM
111624	1	CONNECTING ROD 463/12MM
111638	1	VALVE COVER 463 HC+1000 VERS.
143577	1	CRANK SHAFT F.363/462/463-10mm
147097	1	CRANK SHAFT 363-463/10 THROUGH
147571	1	CRANK SHAFT F.463-12mm
147688	1	CRANK SHAFT 462/12 THROUGH
161012	1	DIAPHRAGM BACKING DISC F. 463
161175	1	DIAPHRAGM DISC F. 463 PUMP
161745	1	METAL SPACER F.363/463
173901	1	LIFT STRAP F.PUMP 463
210221	1	BEARING BALL 6407
210232	1	BEARING BALL 6310
210243	1	SEAL OIL 35 X 47 X 7
241404	1	DOWTYSEAL 1/4"
242153	1	O-RING D26X4 EPDM
242216	1	O-RING VITON F/1202/1302/462
280011	1	GREASE NIPPLE 1/8' H TR
330072	1	O-RING D53,5/D45,5X4
331192	1	SPACER,
334321	1	O-RING POLY. 34.0x26.0x4.0
421083	1	BOLT HEX 8.8 DEL M10X65
430286	1	BOLT HEX 8.8 DEL M12X30 FT
430323	1	BOLT HEX 8.8 DEL M12X60
430438	1	BOLT HEX 8.8 DEL M12X65
460703	1	NUT HEX M12X1.75 LOCK
614628	1	FOOT FOR PUMP 460-463 PAINTED
821587	1	PUMP 463/10 THROUGH SHAFT TWNF
821649	1	PUMP 463/12/540 OFFSET PORTS
14010400	1	PLUG 1/4" BSP
33511600	1	DIAPHRAGM F. 463 PUMP POLY.'06
43099200	1	BOLT HEX SS M12 X 30 DIN933 A4
72043600	1	VALVE FOR 462/463
72043700	1	VALVE FOR 462/463 W.VENT HOLE
75073900	1	PUMP KIT F. 463
82166300	1	PUMP 463/12 2"SUC 540RPM



**COMPLETE ASSEMBLIES
WHOLEGOODS ITEMS**

COMPLETE PUMPS
 821585 - 463/5.5 W/THROUGH SHAFT (1000 RPM)
 821650 - 463/6.5 (1000 RPM H.C. OFFSET PORTS)
 82166400 - 463/6.5 (1000 RPM H.C. INLINE PORTS)

A310



PUMP - 463/1000 RPM W/MOUNTING
A310-HIN, 01:12:11

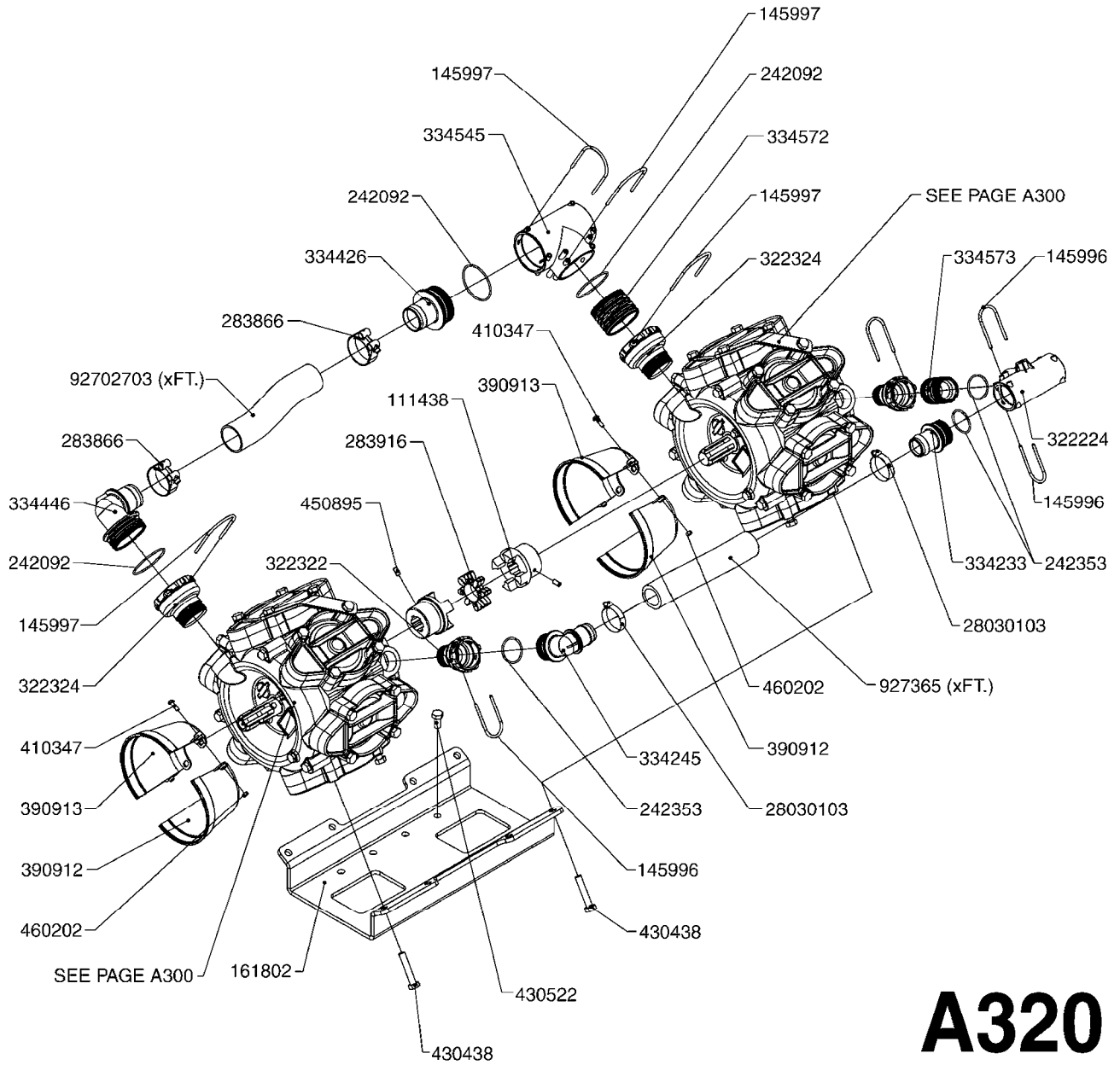
Page 1
Date 19.03.2013 9:42

parts-n°	order qty	description
111183	1	PUMP CASTING 460 (PAINTED)
111547	1	PUMP CASTING 462-2' (PAINTED)
111622	1	CONNECTING ROD 463/5.5MM
111638	1	VALVE COVER 463 HC+1000 VERS.
111645	1	CONNECTING ROD 463/6.5MM
147662	1	CRANK SHAFT F.363/463-5.5MM
147663	1	CRANK SHAFT 363/463-5.5 THROUG
147664	1	COUNTERBALANCE 363/463 WEIGHT
147706	1	CRANK SHAFT F.363/463-6.5MM
147707	1	CRANK SHAFT 363/463-6.5 THROUG
161012	1	DIAPHRAGM BACKING DISC F. 463
161175	1	DIAPHRAGM DISC F. 463 PUMP
161745	1	METAL SPACER F.363/463
170183	1	LIFT STRAP F.PUMP 360/361/462
173901	1	LIFT STRAP F.PUMP 463
210221	1	BEARING BALL 6407
210232	1	BEARING BALL 6310
210243	1	SEAL OIL 35 X 47 X 7
241404	1	DOWTYSEAL 1/4"
242153	1	O-RING D26X4 EPDM
242216	1	O-RING VITON F/1202/1302/462
280011	1	GREASE NIPPLE 1/8' H TR
330072	1	O-RING D53,5/D45,5X4
334321	1	O-RING POLY. 34.0x26.0x4.0
390844	1	COUNTERBALANCE 363/463 POM
420917	1	BOLT HEX 8.8 RAW M8X12 FT
421083	1	BOLT HEX 8.8 DEL M10X65
430286	1	BOLT HEX 8.8 DEL M12X30 FT
430323	1	BOLT HEX 8.8 DEL M12X60
430438	1	BOLT HEX 8.8 DEL M12X65
450996	1	BOLT ALLEN M8X35 DIN 912 RAW
460703	1	NUT HEX M12X1.75 LOCK
614628	1	FOOT FOR PUMP 460-463 PAINTED
821585	1	PUMP 463/5.5 THRGH SHAFT 1000R
821650	1	PUMP 463/6.5/1000 OFFSET PORTS
14010400	1	PLUG 1/4" BSP
33511600	1	DIAPHRAGM F. 463 PUMP POLY.'06
43099200	1	BOLT HEX SS M12 X 30 DIN933 A4
72043600	1	VALVE FOR 462/463
72043700	1	VALVE FOR 462/463 W.VENT HOLE
75073900	1	PUMP KIT F. 463
82166400	1	PUMP 463/6.5 2"SUC 1000RPM



PUMP - 463 DOUBLE W/MOUNTING
A320-HIN, 18:12:10

Page	0
Date	19.03.2013 9:42



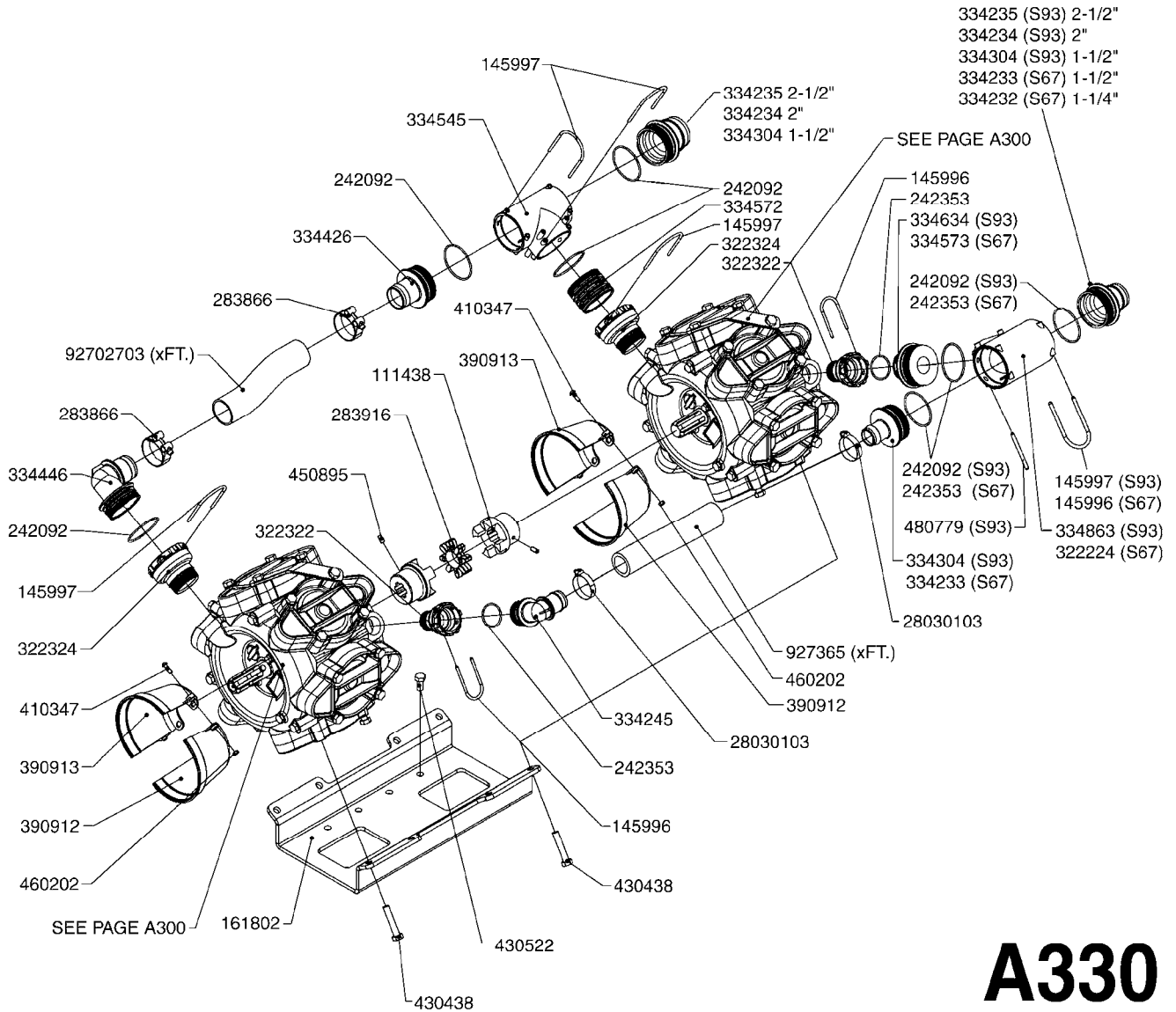
A320



PUMP - 463 DOUBLE W/MOUNTING
A320-HIN, 18:12:10

Page 1
Date 19.03.2013 9:42

parts-n°	order qty	description
111438	1	HUB F.CLUTCH 361/460 PUMP
145996	1	FITT.DK S-67 FORK
145997	1	FITT.DK S-93 FORK
161802	1	FOOT FOR DOUBLE PUMP 463
242092	1	O-RING D69.5X3 (Use-242351)
242353	1	O-RING D44.2X3.0 VITON F.S-67
283866	1	CLAMP HOSE SCREW TYPE 2"DELTA
283916	1	TOOTHED RIM FOR CLUTCH
322224	1	FITT.DK S-67 TEE
322322	1	FITT.DK S-67 X 1-1/4"BSP MALE
322324	1	FITT.DK S-93 X 2"BSP MALE
334233	1	FITT.DK S-67 STR.1-1/2' RUBBER
334245	1	FITT.DK S-67 ELB. 1-1/2'RUBBER
334426	1	FITT.DK S-93 STR.2'
334446	1	FITT.DK S-93 ELB. 2' RUBBER
334545	1	FITT.DK S-93 TEE
334572	1	FITT.DK S-93 ADAPTOR MALE MALE
334573	1	FITT.DK S-67 CONNECTOR
390912	1	GUARD PTO UPPER PART
390913	1	GUARD PTO LOWER PART
410347	1	SCREW M6X20 8.8
430438	1	BOLT HEX 8.8 DEL M12X65
430522	1	BOLT HEX 8.8 DEL M12X25 FT
450895	1	SCREW SET M8 x 16
460202	1	NUT HEX M6
927365	1	HOSE R X 73 BAR X 1-1/2 X0012"
28030103	1	CLAMP HOSE GEAR P5/4-S1.5"6724
92702703	1	HOSE PVC SUCT GRAY 2"



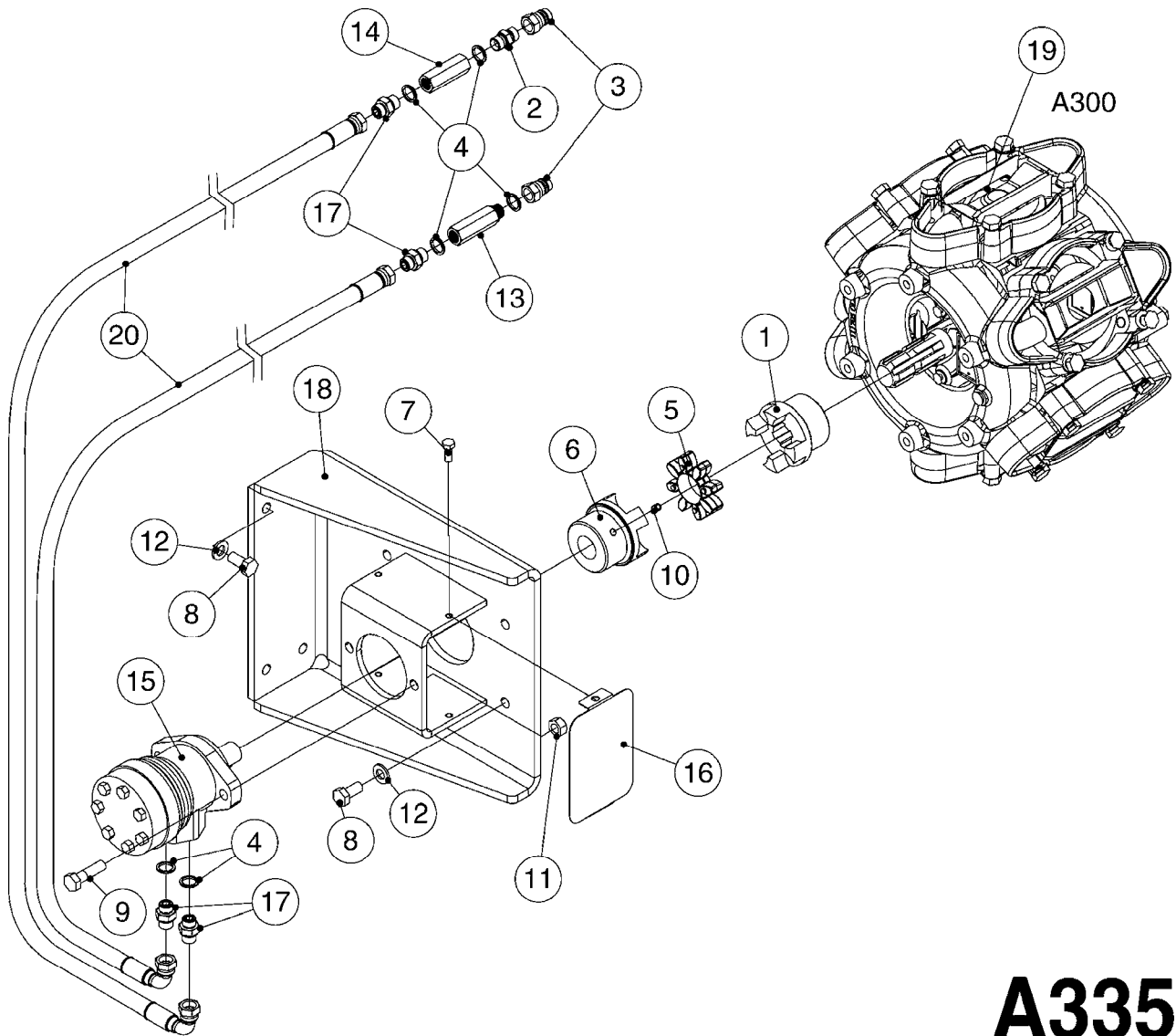
A330



PUMP - 463 TRANSFER PUMP
A330-HIN, 18:12:10

Page 1
Date 19.03.2013 9:42

parts-n°	order qty	description
111438	1	HUB F.CLUTCH 361/460 PUMP
145996	1	FITT.DK S-67 FORK
145997	1	FITT.DK S-93 FORK
161802	1	FOOT FOR DOUBLE PUMP 463
242092	1	O-RING D69.5X3 (Use-242351)
242353	1	O-RING D44.2X3.0 VITON F.S-67
283866	1	CLAMP HOSE SCREW TYPE 2"DELTA
283916	1	TOOTHED RIM FOR CLUTCH
322224	1	FITT.DK S-67 TEE
322322	1	FITT.DK S-67 X 1-1/4"BSP MALE
322324	1	FITT.DK S-93 X 2"BSP MALE
334232	1	FITT.DK S-67 STR.1-1/4'
334233	1	FITT.DK S-67 STR.1-1/2' RUBBER
334234	1	FITT.DK S-93 STR.2" RUBBER
334235	1	FITT.DK S-93 STR.2-1/2'RUBBER
334245	1	FITT.DK S-67 ELB. 1-1/2'RUBBER
334304	1	FITT.DK S-93 STR.1-1/2" PVC
334426	1	FITT.DK S-93 STR.2'
334446	1	FITT.DK S-93 ELB. 2' RUBBER
334545	1	FITT.DK S-93 TEE
334572	1	FITT.DK S-93 ADAPTOR MALE MALE
334573	1	FITT.DK S-67 CONNECTOR
334634	1	FITT.DK ADAPTER S-93M S67M
334863	1	T PIECE S 93 15 BAR
390912	1	GUARD PTO UPPER PART
390913	1	GUARD PTO LOWER PART
410347	1	SCREW M6X20 8.8
430438	1	BOLT HEX 8.8 DEL M12X65
430522	1	BOLT HEX 8.8 DEL M12X25 FT
450895	1	SCREW SET M8 x 16
460202	1	NUT HEX M6
480779	1	PIN D5X55 SPLIT
927365	1	HOSE R X 73 BAR X 1-1/2 X0012"
28030103	1	CLAMP HOSE GEAR P5/4-S1.5"6724
92702703	1	HOSE PVC SUCT GRAY 2"



A335



PUMP - 463 FLEX CAPACITY
A335-HIN, 06:11:12

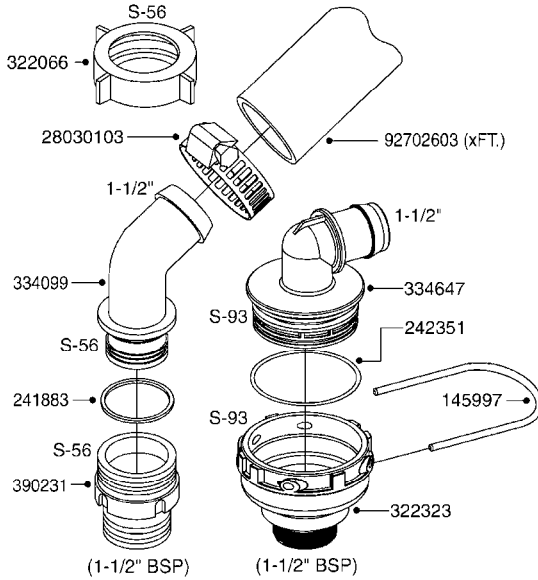
Page 1

Date 19.03.2013 9:42

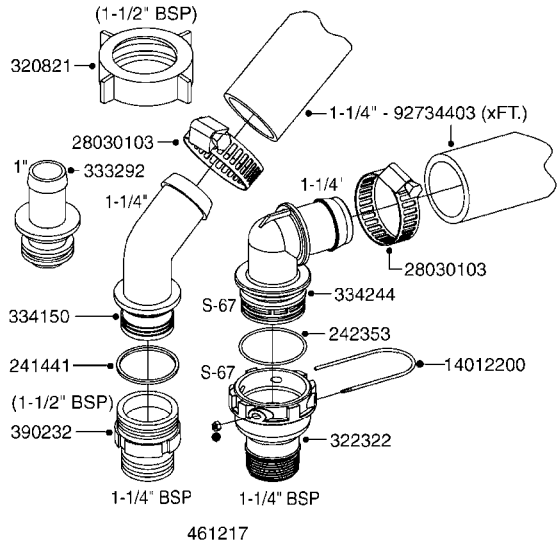
Pos.	parts-n°	order qty	description
1	111438	1	HUB F.CLUTCH 361/460 PUMP
2	147132	1	HEX NIPPLE 1/2"X1/2" BSP DEL
3	230311	1	QUICK COUPLING 1/2"
4	241356	1	DOWTYSEAL 1/2"
5	283916	1	TOOTHED RIM FOR CLUTCH
6	284521	1	COUPLING HALF CYL.D25MM-KEY
7	420582	1	BOLT HEX 8.8 DEL M8X20 FT
8	430522	1	BOLT HEX 8.8 DEL M12X25 FT
9	430878	1	BOLT HEX 8.8 DEL M12X45
10	450052	1	SCREW SET M8X10 BLACK ALLAN
11	460703	1	NUT HEX M12X1.75 LOCK
12	471127	1	WASHER D24/D13X2.5 STAINLESS
13	782153	1	PRESS. FLOW VALVE 1/2" (BLACK)
14	782154	1	CHECK VALVE 284794 (BLACK)
15	783010	1	MOTOR HYDRAULIC OMR50
16	16154400	1	COVER PLATE F. FLEX PUMP MT.
17	23235300	1	HEX NIPPLE 1/2"-13/16"
18	61038400	1	BRACKET FLEX PUMP MOUNT NCM
19	72363900	1	PUMP 463/10-MOD-2-540
20	78571100	1	HOSE HY X 1/2" X 248" STR+ELB



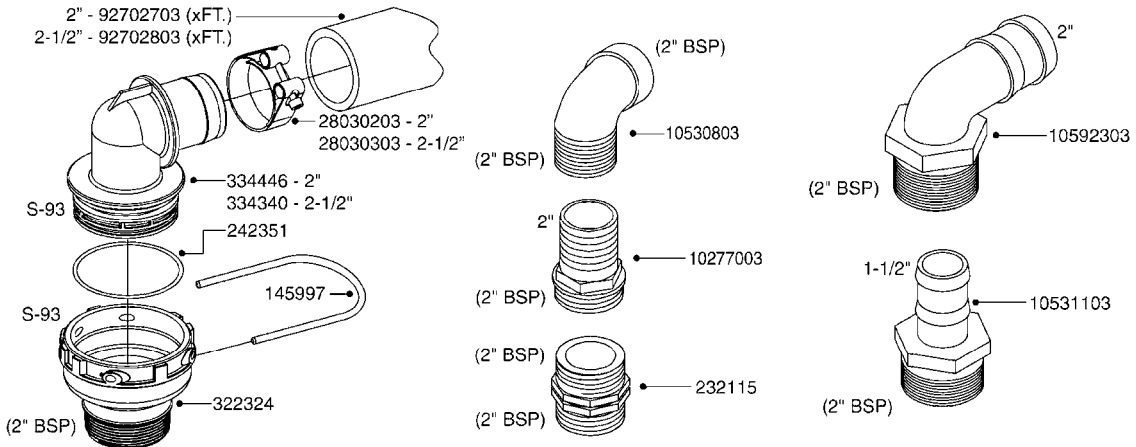
SUCTION SIDE OF PUMP (WITH 1-1/2" SUCTION PORT)



PRESSURE SIDE OF PUMP

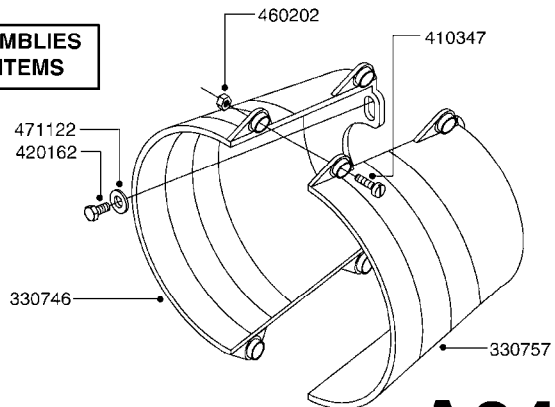


SUCTION SIDE OF PUMP (WITH 2" SUCTION PORT)



**COMPLETE ASSEMBLIES
WHOLEGOODS ITEMS**

- 821587 - 463/10 2" W/THROUGH SHAFT (540 RPM)
- 821649 - 463/12 2" (540 RPM H.C.)
- 821585 - 463/5.5 2" W/THROUGH SHAFT (1000 RPM)
- 821650 - 463/6.5 2" (1000 RPM H.C.)



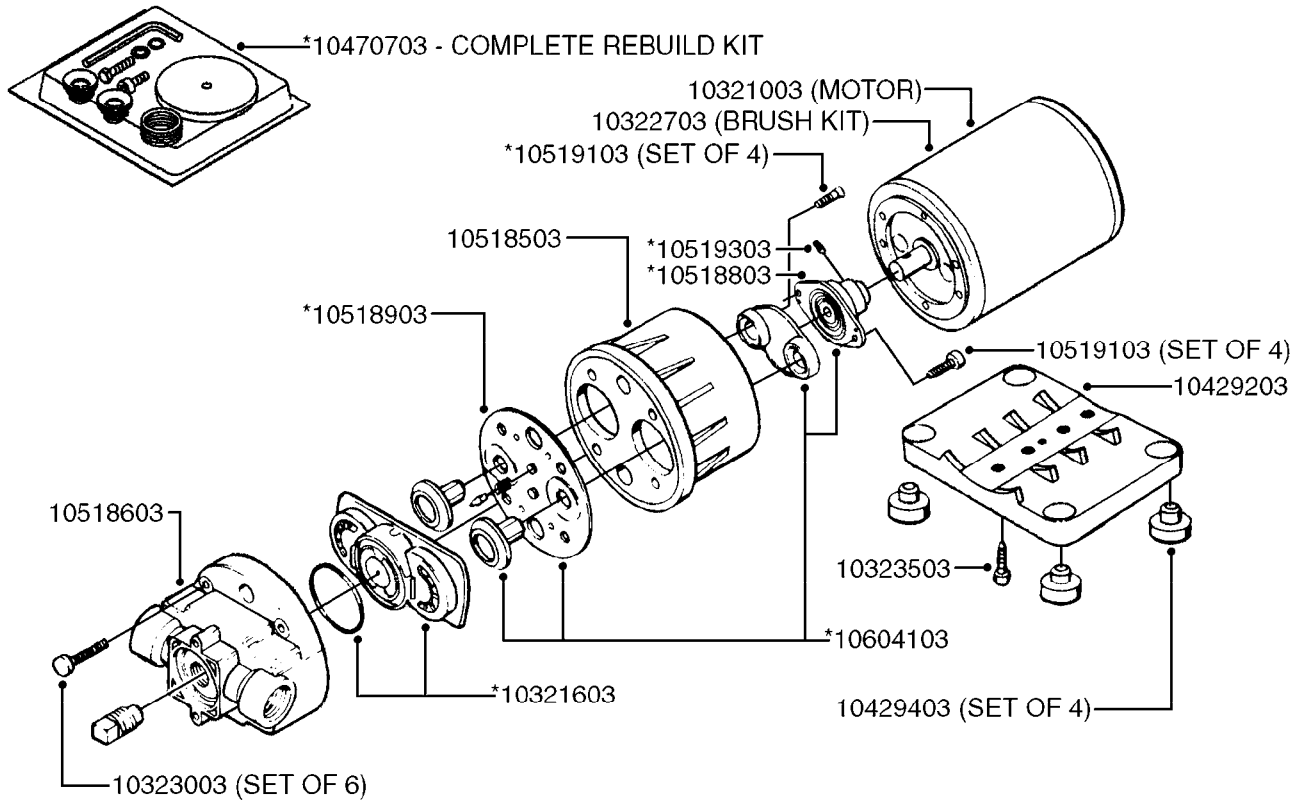
A340



PUMP - 460/462/463 FITTINGS
A340-HIN, 20:05:10

Page 1
Date 19.03.2013 9:42

parts-n°	order qty	description
145997	1	FITT.DK S-93 FORK
232115	1	FITT HEX NIPPLE 2'-2' BSP
241441	1	O-RING D29.3X3
241883	1	O-RING D39.2X3 NITRIL
242351	1	O-RING D69.5X3.0 VITON F.S-93
242353	1	O-RING D44.2X3.0 VITON F.S-67
320821	1	FITT.DK NUT 1-1/2" BSP
322066	1	FITT.DK S-56 NUT
322322	1	FITT.DK S-67 X 1-1/4"BSP MALE
322323	1	FITT.DK S-93 X 1-1/2"BSP MALE
322324	1	FITT.DK S-93 X 2"BSP MALE
330746	1	GUARD PTO LOWER PART
330757	1	GUARD PTO UPPER PART
333292	1	FITT.DK HB 1"O'RING F.1-1/2"
334099	1	FITT.DK S-61 ELB.1-1/2"110 DEG
334150	1	FITT.DK HB 1-1/4" 110 F.1-1/2"
334244	1	FITT.DK S-67 ELB.1-1/4"
334340	1	FITT.DK S-93 ELB.2-1/2' PVC
334446	1	FITT.DK S-93 ELB. 2' RUBBER
334647	1	FITT.DK S93 ELB 1-1/2" 90 PVC
390231	1	FITT.DK NIPPLE 1-1/2 X S56
390232	1	FITT.DK HN 1-1/2' X 1-1/4' BSP
410347	1	SCREW M6X20 8.8
420162	1	BOLT HEX 8.8 DEL 3/8"x15MM
460202	1	NUT HEX M6
461217	1	NUT HEX M5 LOCK
471122	1	WASHER D20/D10.5X2 SS
821585	1	PUMP 463/5.5 THRGH SHAFT 1000R
821587	1	PUMP 463/10 THROUGH SHAFT TWNF
821649	1	PUMP 463/12/540 OFFSET PORTS
821650	1	PUMP 463/6.5/1000 OFFSET PORTS
10277003	1	FITT.PO.HB 2.00X2.00 MCPHEE
10530803	1	FITT.PO.SE 2.00X2.00 45 DEG.
10531103	1	FITT.PO.HB 2.00"NPT X 1.50"HOS
10592303	1	FITT.PO.HB 2.00X 2.00BSP 90DEG
14012200	1	FITT.DK S-67 FORK W/M5 THREADS
28030103	1	CLAMP HOSE GEAR P5/4-S1.5"6724
28030203	1	CLAMP HOSE T-BOLT S2" 235-67
28030303	1	CLAMP HOSE T-BOLT S2.5" 235-76
92702603	1	HOSE PVC SUCT GRAY 1-1/2"
92702703	1	HOSE PVC SUCT GRAY 2"
92702803	1	HOSE PVC SUCT GRAY 2-1/2"
92734403	1	HOSE R X5/4" X200PSI WP X0012"



COMPLETE ASSEMBLIES
WHOLEGOODS ITEMS

A350

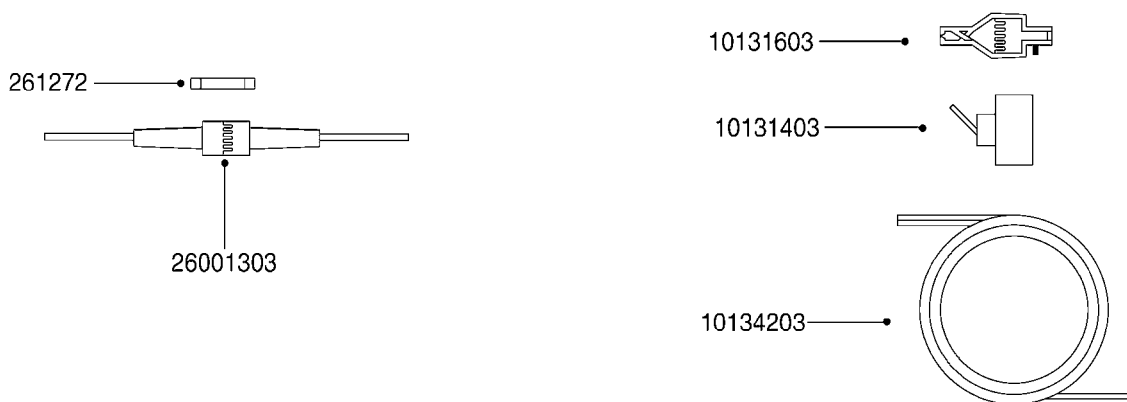
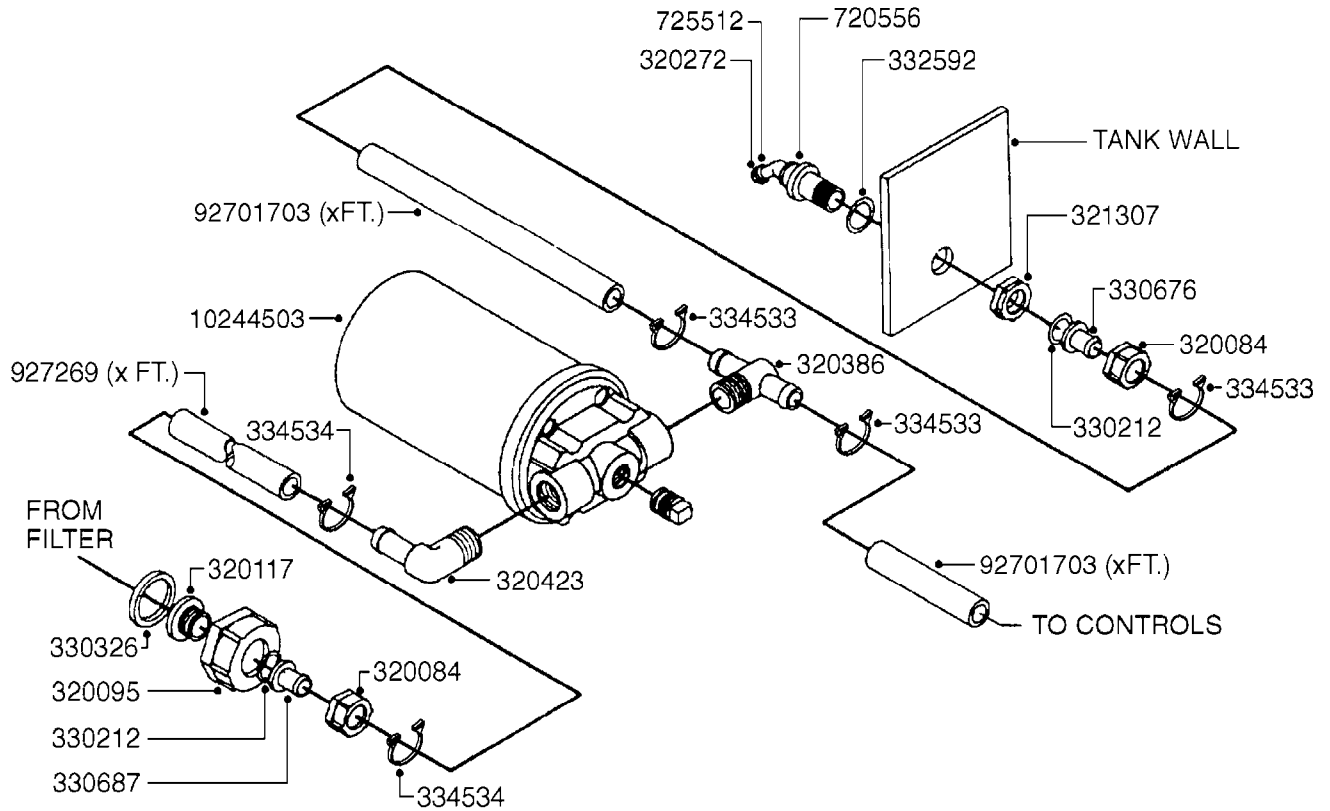
10244503 - MODEL 2100 - 573 (SHOWN)



PUMP - FLO JET 12 VOLT
A350-HIN, 01:01:01

Page 1
Date 19.03.2013 9:42

parts-n°	order qty	description
10244503	1	PUMP 12 VOLT FLOJET 2100-573
10321003	1	MOTOR 12 VOLT F. FLOJET PUMP
10321603	1	CHECK VALVE ASSY F. FLOJET
10322703	1	BRUSH KIT F. FLOJET PUMP MTR
10323003	1	SCREW M4X25 PHILLIPS SET OF 6
10323503	1	SCREWS F. BASEPLATE FLOJET
10429203	1	PUMP BASE F.FLOJET PUMP 2100
10429403	1	GROMMET SET OF 4 F.FLOJET
10470703	1	PUMP REPAIR KIT F.FLOJET 2100
10518503	1	PUMP HOUSING FLOJET Ø2100-573
10518603	1	PUMP HEAD FLOJET PUMP 2100-573
10518803	1	BEARING & CAM FLOJET 2100-573
10518903	1	DIAPHRAGM F.FLOJET 2100-573
10519103	1	SCREWS (4) FLOJET 2100-573
10519303	1	SET SCREW F.CAM FLJET 2100-573
10604103	1	KIT CAM BEARING/DIA. 2100-573



A360

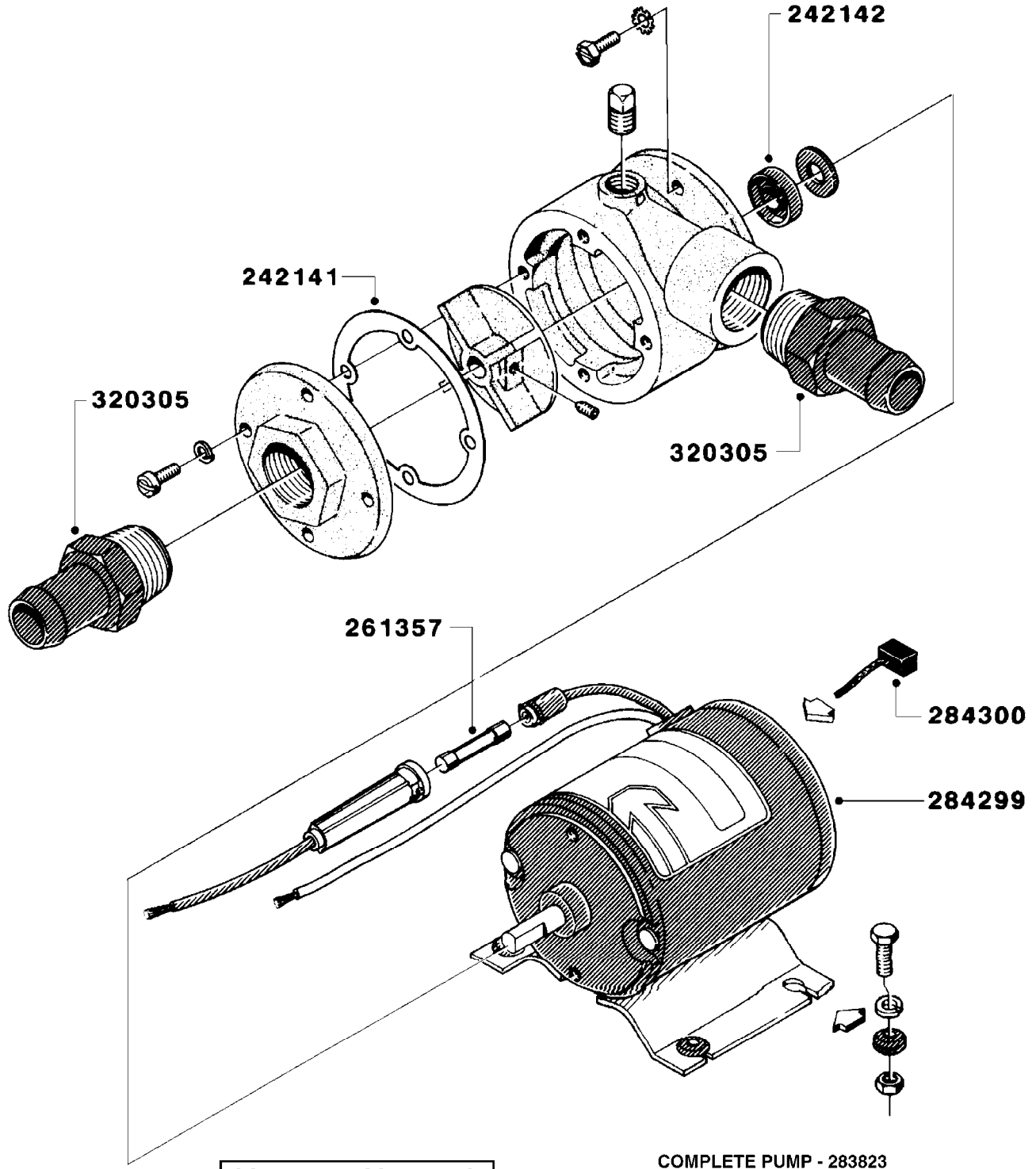


PUMP - SYSTEM 12 VOLT F/ES30
A360-HIN, 23:05:11

Page 1

Date 19.03.2013 9:42

parts-n°	order qty	description
261272	1	FUSE 10A D6X32 MM
320084	1	FITT.DK NUT 1/2" BSP
320095	1	FITT.DK NUT 1" BSP
320117	1	FITT.DK CONN.1/2"BSP F. 1" CAP
320272	1	FITT.DK CAPNUT 3/8' BSP
320386	1	FITT.DK TEE 3/8X3/8HB X3/8"BSP
320423	1	FITT.DK ELB 1/2'HB X 3/8' BSP
321307	1	FITT.DK NUT 1/2" BSP JAMB
330212	1	O-RING D19/D14X2.4 F.1/2"NUT
330326	1	O-RING D30/D24X2 F.1"NUT
330676	1	FITT.DK HB 3/8" F. 1/2" NUT
330687	1	FITT.DK HB 1/2" F. 1/2" NUT
332592	1	O-RING D26/D20X3
334533	1	CLAMP HOSE PLASTIC 3/8"
334534	1	CLAMP HOSE PLASTIC 1/2"
720556	1	SAFETY VALVE FOR ATV SPRAYER
725512	1	SPRING
927269	1	HOSE R X PVC X 1/2 X 0012"
10131403	1	SWITCH 12V 10 AMP TOGGLE
10131603	1	CLIPS ALLIGATOR 12V
10134203	1	1 FT. 16/2 SJTW ELECT. CABLE
10244503	1	PUMP 12 VOLT FLOJET 2100-573
26001303	1	FUSE HOLDER - INLINE
92701703	1	HOSE R X3/8" X300PSI WP X0012"



COMPLETE ASSEMBLIES
WHOLEGOODS ITEMS

COMPLETE PUMP - 283823

A370

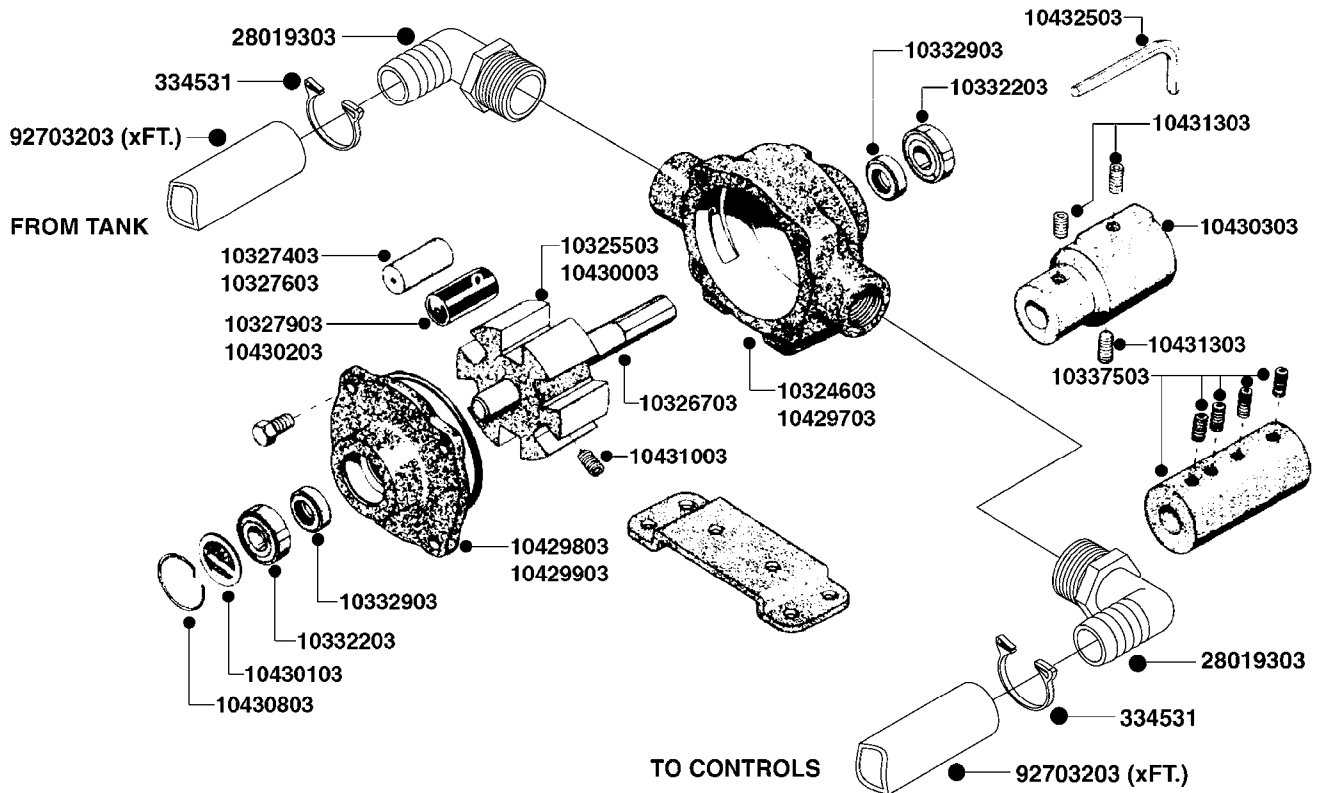
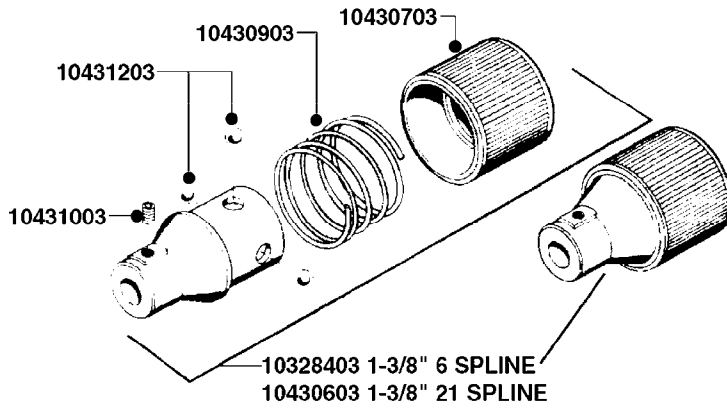


PUMP - 12 VOLT F/FRONT TANK
A370-HIN, 01:01:01

Page 1

Date 19.03.2013 9:42

parts-n°	order qty	description
242141	1	GASKET FOR PUMP FRONT TANK
242142	1	O-RING FOR PUMP FRONT TANK
261357	1	FUSE 10A 32V
283823	1	CENTRIFUGAL PUMP 12 V DC
284299	1	ENGINE 12V F/PUMP (FRONT TANK)
284300	1	COAL FOR EL-MOTOR
320305	1	FITT.DK HB 3/4'- 3/4' BSP



10038003 - COMPLETE PUMP

COMPLETE ASSEMBLIES
WHOLEGOODS ITEMS

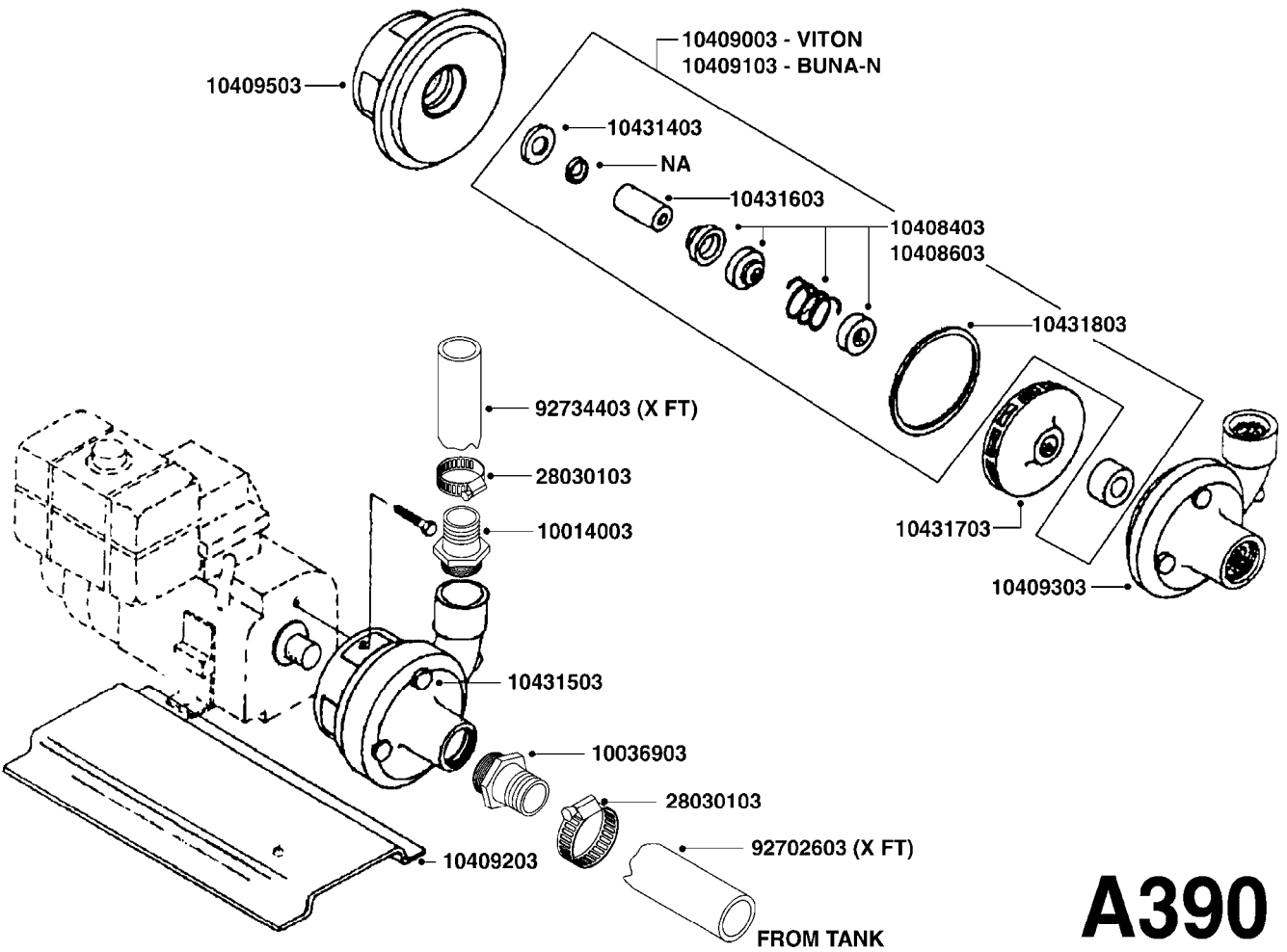
A380



PUMP - C6500 HYPRO
A380-HIN, 23:05:11

Page 1
Date 19.03.2013 9:42

parts-n°	order qty	description
334531	1	CLAMP HOSE PLASTIC 3/4"
10038003	1	PUMP HYPRO C6500 ROLLER
10324603	1	PUMP BODY (CAST IRON)
10325503	1	PISTON/SHAFT
10326703	1	SHAFT ONLY
10327403	1	ROLLER NYLON
10327603	1	ROLLER POLYPROPYLENE
10327903	1	ROLLER RUBBER
10328403	1	QUICK COUPLER
10332203	1	BEARING BALL (SEAL TECH)
10332903	1	SEAL VITON
10337503	1	ADAPTOR
10429703	1	PUMP BODY NI RESIST
10429803	1	END PLATE (CAST IRON) W/SEAL
10429903	1	END PLATE (NI RESIST) W/SEAL
10430003	1	ROTOR WITH SHAFT (NI RESIST)
10430103	1	NAME PLATE (SPECIFY MODEL NO.)
10430203	1	ROLLER OPTION TEFLON
10430303	1	ADAPTOR FOR PTO
10430603	1	QUICK COUPLER 3/8' 21 SPLINE
10430703	1	SLEEVE
10430803	1	RETAINER RING
10430903	1	COMPRESSION SPRING
10431003	1	SET SCREW
10431203	1	BALL NYLON
10431303	1	SET SCREW (SET OF 3)
10432503	1	ALLEN WRENCH
28019303	1	FITTING HB ELB 3/4NPT-3/4HOSE
92703203	1	HOSE R X3/4" X300PSI WP X0012"



A390



PUMP - SCOT 5 HP
A390-HIN, 08:12:09

Page 1

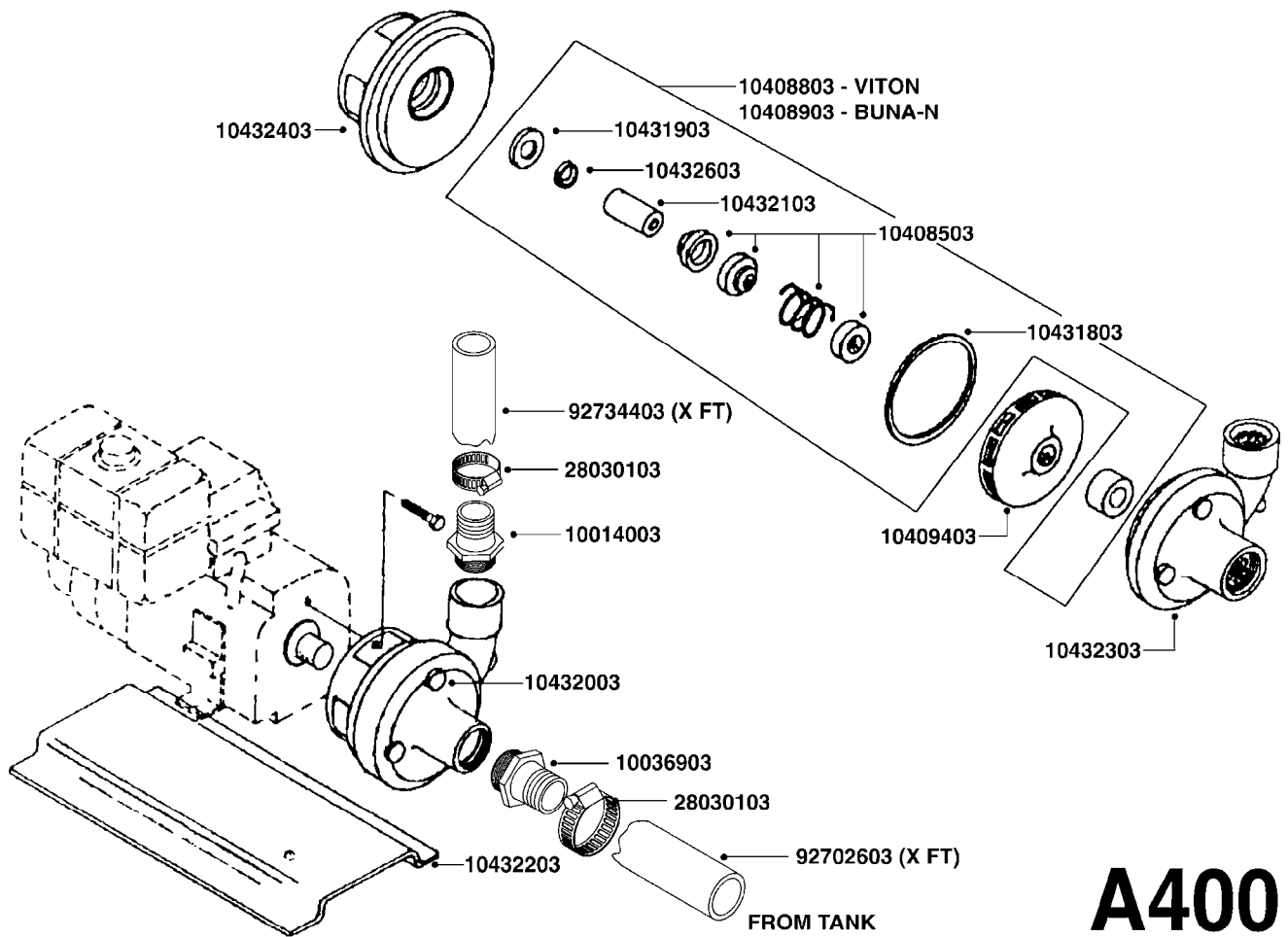
Date 19.03.2013 9:42

parts-n°	order qty	description
10014003	1	FITT.PO.HB 1.25X1.25 IMB1010
10036903	1	FITT.PO.HB 1.50X1.50 IMB1212
10408403	1	SEAL 3/4-6 BUNA CERAMIC
10408603	1	SEAL 3/4-6 VITON CERAMIC
10409003	1	REPAIR KIT VITON SEAL
10409103	1	REPAIR KIT BUNA SEAL
10409203	1	BASE ENGINE 5 HP
10409303	1	CASE 60 IRON 1-1/2X1-1/4
10409503	1	ADAPTOR IRON
10431403	1	FINGER
10431503	1	DRAIN PLUG
10431603	1	SHAFT SLEEVE
10431703	1	IMPELLER
10431803	1	CASE GASKET
28030103	1	CLAMP HOSE GEAR P5/4-S1.5"6724
92702603	1	HOSE PVC SUCT GRAY 1-1/2"
92734403	1	HOSE R X5/4" X200PSI WP X0012"



PUMP - SCOT 8 HP
A400-HIN, 08:12:09

Page 0
Date 19.03.2013 9:42



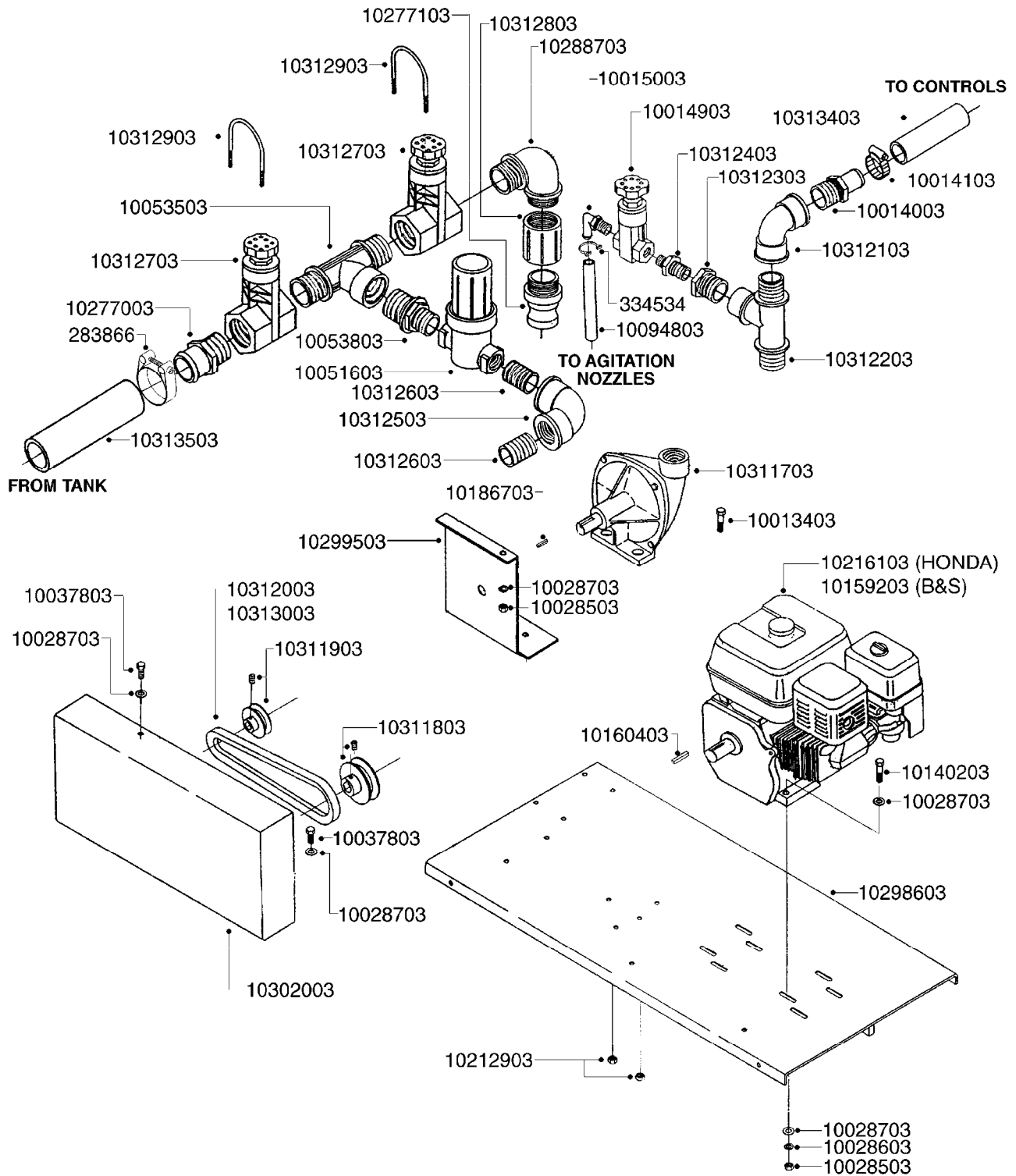


PUMP - SCOT 8 HP
A400-HIN, 08:12:09

Page 1

Date 19.03.2013 9:42

parts-n°	order qty	description
10014003	1	FITT.PO.HB 1.25X1.25 IMB1010
10036903	1	FITT.PO.HB 1.50X1.50 IMB1212
10408503	1	SEAL BUNA
10408803	1	REPAIR KIT VITON SEAL
10408903	1	REPAIR KIT BUNA SEAL
10409403	1	IMPELLER
10431803	1	CASE GASKET
10431903	1	FINGER
10432003	1	DRAIN PLUG
10432103	1	SHAFT SEAL
10432203	1	PUMP BASE
10432303	1	CASE
10432403	1	ADAPTOR
10432603	1	O-RING
28030103	1	CLAMP HOSE GEAR P5/4-S1.5"6724
92702603	1	HOSE PVC SUCT GRAY 1-1/2"
92734403	1	HOSE R X5/4" X200PSI WP X0012"



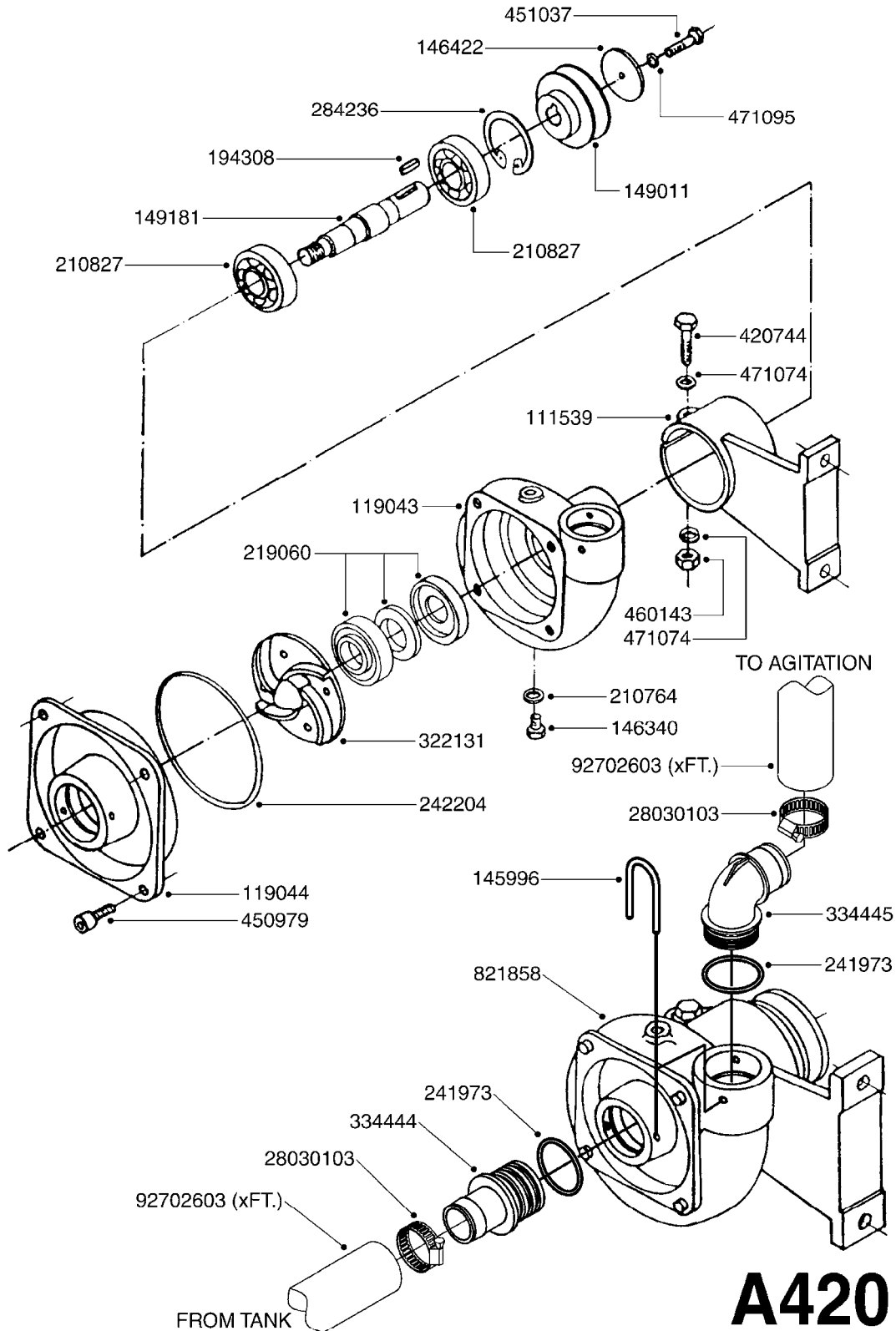
A410



PUMP - SYSTEM TMS
A410-HIN, 01:01:01

Page 1
Date 19.03.2013 9:42

parts-n°	order qty	description
10013403	1	BOLT HEX 3/8-16X1 1/4 HCS Z5
10014003	1	FITT.PO.HB 1.25X1.25 IMB1010
10014103	1	CLAMP HOSE GEAR 1-1/4" HS24
10014903	1	GATE VALVE 1/2" 2001
10015003	1	poly bag
10028503	1	NUT HEX NC 5/16'
10028603	1	WASHER LOCK 5/16'
10028703	1	WASHER PLATE 5/16
10037803	1	BOLT HEX 5/16 NC GR.2 00.75'
10051603	1	FILTER ASSY.1-1/2 W/20X40 MESH
10053503	1	FITT.PO.TEE 2"MX2"FX2"M BSP
10053803	1	FITT.PO.REDUCER 2' X 1-1/2'
10094803	1	HOSE 1/2 X 80 BAR 0110'
10140203	1	BOLT HEX 5/16 NC GR.2 02.00'
10159203	1	ENG.B&S 8HP A19402
10160403	1	KEY - 1/4' SQ. X 1-1/2' LONG
10186703	1	KEY 3/16 SQ.X 1-1/2 LONG
10212903	1	NUT HEX NC (NYLON LOCK) 3/8"
10216103	1	ENG.HON.8HP AEGX240QT
10277003	1	FITT.PO.HB 2.00X2.00 MCPHEE
10277103	1	QUICK COUPLER(MALE)A180170
10288703	1	FITT.PO.EL 2MX2M 90 DEG MCPHEE
10298603	1	PUMP BASE TMS
10299503	1	PULLEY COVER (REAR)
10302003	1	PULLEY COVER
10311703	1	PUMP HYPRO MODEL 9203C
10311803	1	PULLY OD 4-1/2'/ID 1' F/B-BELT
10311903	1	PULLY OD 3'/ID 5/8 F/B-BELT
10312003	1	VEE BELT B-35
10312103	1	FITT.PO.EL 1.125FM X 1.125FM
10312203	1	FITT.TEE 1-1/4MX1-1/4FMX1-1/4M
10312303	1	FITT.PO.HR 1-1/4M X 3/4FM
10312403	1	FITT.PO.HR 3/4M X 1/2M
10312503	1	FITT.PO.EL 1.5X1.5 FEMALE
10312603	1	FITT.PO.HB 1-1/2M X 1-1/2M
10312703	1	GATE VALVE 2'FM > 2'FM (BAGDAD
10312803	1	FITT.PO.BU 2' X 2'
10312903	1	BOLT U 5/16'
10313003	1	VEE BELT B-31
10313403	1	*HOSE 1-1/4 X 60 BAR 0025'
10313503	1	*HOSE 2 X PVC 0056'
283866	1	CLAMP HOSE SCREW TYPE 2"DELTA
334534	1	CLAMP HOSE PLASTIC 1/2"

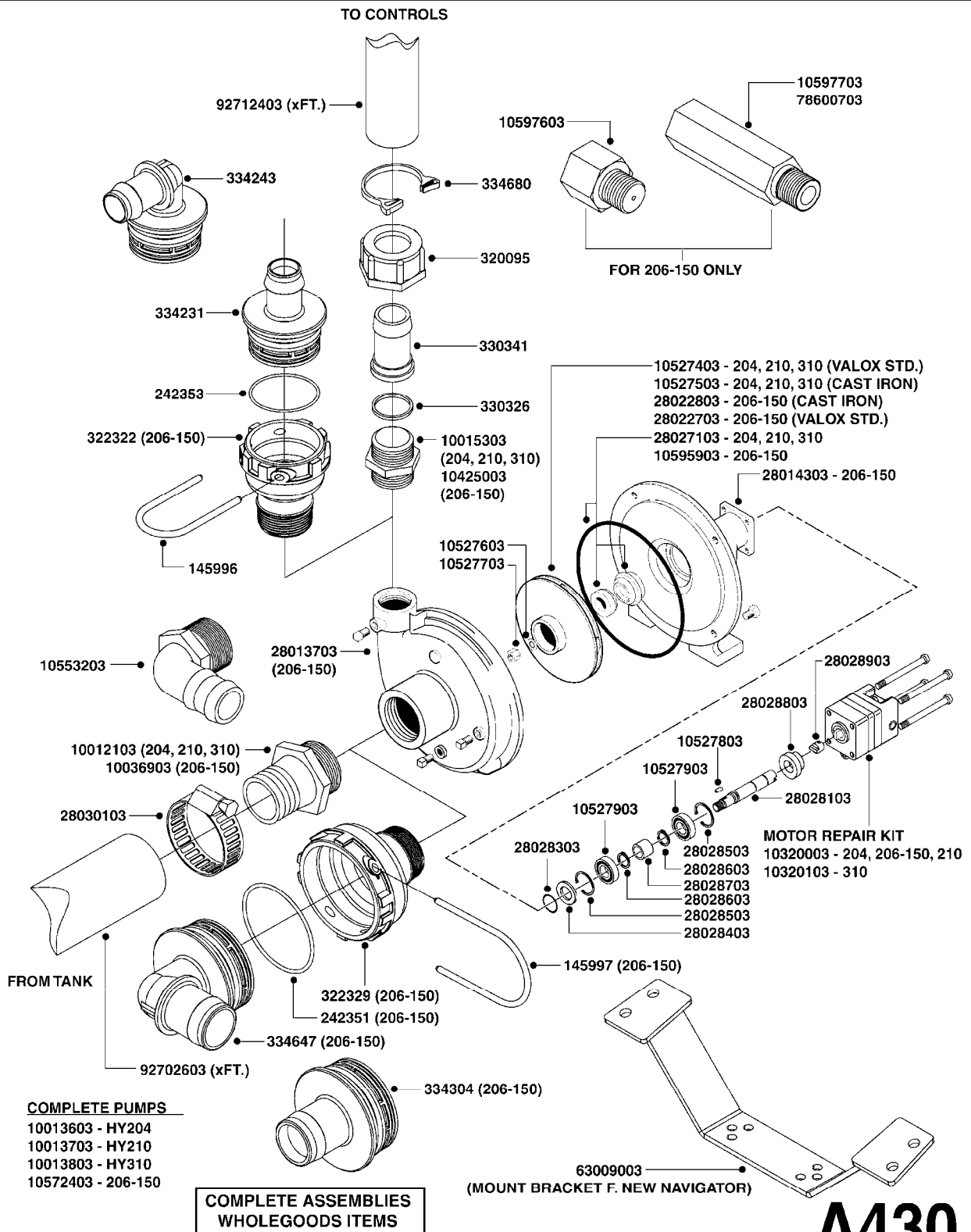




PUMP - CENTRIFUGAL M300
A420-HIN, 08:12:09

Page 1
Date 19.03.2013 9:42

parts-n°	order qty	description
111539	1	FOOT F/CENTRIFUGAL PUMP
119043	1	HOUSING F. M300 PUMP
119044	1	HOUSING FRT COVER F. M300 PUMP
145996	1	FITT.DK S-67 FORK
146340	1	PLUG 1/4"
146422	1	WASHER FOR CENTRIFUGAL PUMP
149011	1	PULLEY D60 FOR CENT. PUMP
149181	1	AXLE F. M300 CENTRIFUGAL PUMP
194308	1	KEY 6 X 6 X 2
210764	1	SEAL OIL BRASS 13 X 18 X 1.5
210827	1	BALL BEARING 6204
219060	1	BEARING AND SEAL KIT M300 PUMP
241973	1	O-RING 44.2 x 3.0 (use-242353)
242204	1	O-RING D110X2
284236	1	SNAP-RING INNER 47X1.75
322131	1	CENTRIFUGAL WHEEL
334444	1	FITT.DK S-67 STR.1-1/2" PVC
334445	1	FITT.DK S-67 ELB.1-1/2"
420744	1	BOLT HEX 8.8 DEL M8X40
450979	1	SCREW M8X20 HEX
451037	1	SCREW M6X20 HEX
460143	1	NUT HEX M8 LOCK
471074	1	WASHER M8 ELZ
471095	1	WASHER D6,4
821858	1	PUMP M300 CENTRIFUGAL
28030103	1	CLAMP HOSE GEAR P5/4-S1.5"6724
92702603	1	HOSE PVC SUCT GRAY 1-1/2"



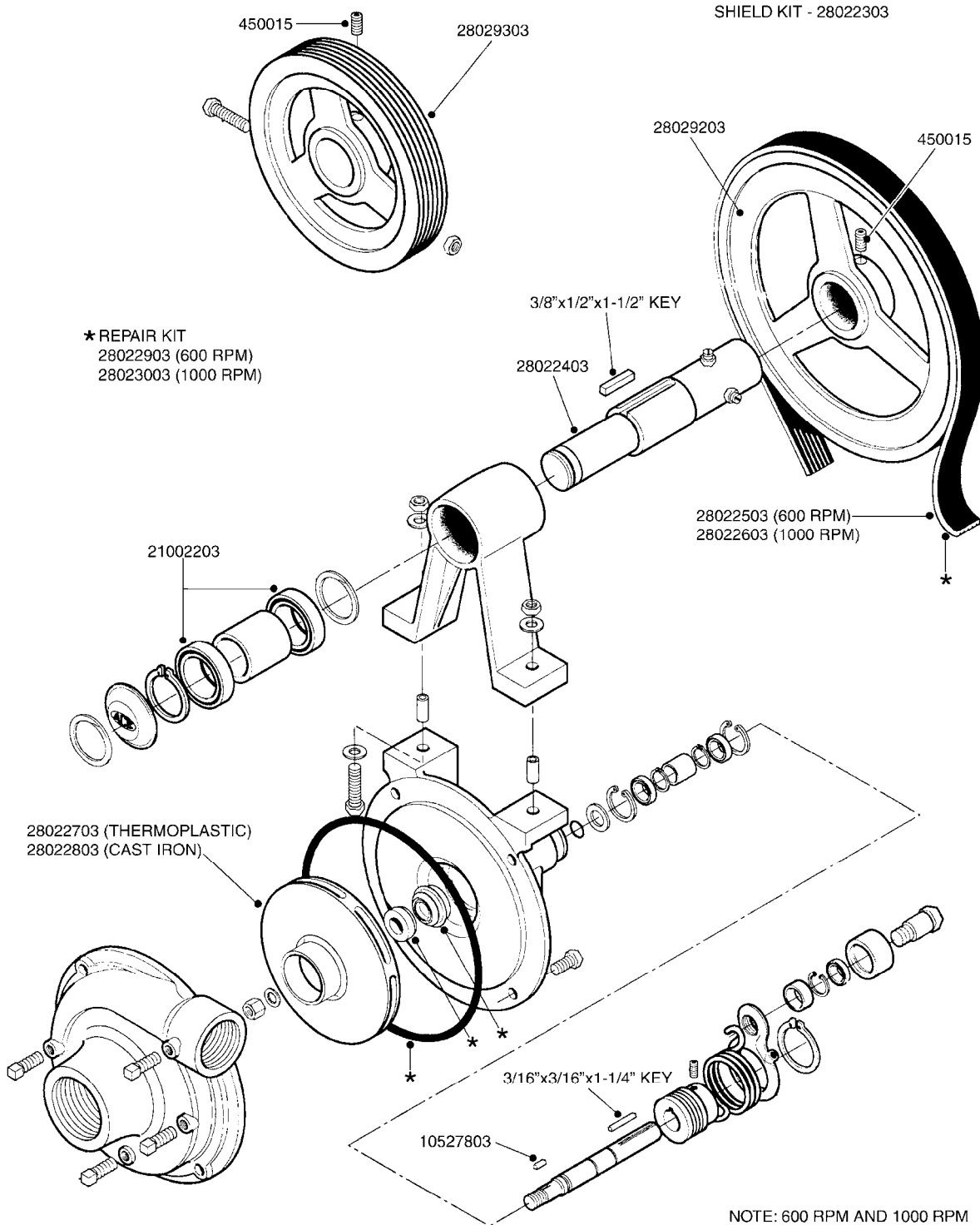
A430



PUMP-204,206-150,210,310 ACE
A430-HIN, 14:06:12

Page 1
Date 19.03.2013 9:42

parts-n°	order qty	description
145996	1	FITT.DK S-67 FORK
145997	1	FITT.DK S-93 FORK
242351	1	O-RING D69.5X3.0 VITON F.S-93
242353	1	O-RING D44.2X3.0 VITON F.S-67
320095	1	FITT.DK NUT 1" BSP
322322	1	FITT.DK S-67 X 1-1/4"BSP MALE
322329	1	FITT.DK S-93 X 1-1/2"BSP MALE2
330326	1	O-RING D30/D24X2 F.1"NUT
330341	1	FITT.DK HB 1" F. 1" NUT
334231	1	FITT.DK S-67 STR.1'
334243	1	FITT.DK S-67 ELB.1"
334304	1	FITT.DK S-93 STR.1-1/2" PVC
334647	1	FITT.DK S93 ELB 1-1/2" 90 PVC
334680	1	CLAMP HOSE PLASTIC 1"
10012103	1	FITT.PO.HB 1.25X1.50 IMB1012
10013603	1	PUMP ACE HY 204
10013703	1	PUMP ACE HY 210
10013803	1	PUMP ACE HY 310
10015303	1	FITT.PO.HN 1.00X1.00 M1000
10036903	1	FITT.PO.HB 1.50X1.50 IMB1212
10320003	1	MOTOR REPAIRKIT ACE204,206,210
10320103	1	MOTOR REPAIR KIT ACE 304,310
10425003	1	FITT.PO.HN 1.25X1.00 MCPHEE
10527403	1	IMPELLER VALOX F.ACE PUMP
10527503	1	IMPELLER CASTIRON F.ACE PUMP
10527603	1	WASHER 3/8' F.ACE PUMP
10527703	1	NUT HEX NF 3/8 F.ACE PUMP
10527803	1	KEY 1/8x1/8x1/2'F.ACE PUMP
10527903	1	BEARING F.ACE PUMP (#40870)
10553203	1	FITT.PO.EL 1.5X1.5 HB BLACK
10572403	1	PUMP ACE HY 206 SERIES 150
10595903	1	REPAIR KIT ACE 206-150
10597603	1	ORIFACE RESTRICTOR F. ACE 206
10597703	1	FITT, HYD FLOW FUSE ACE 206OLD
28013703	1	PUMP HOUSING FRONT ACE 206-150
28014303	1	PUMP HOUSING W.FEET 206-150
28022703	1	IMPELLER THERMOPLASTIC
28022803	1	IMPELLER CAST IRON
28027103	1	REPAIR KIT ACE 204,210,310
28028103	1	SHAFT 5/8"DIA.1/2"KEYWAY SS
28028303	1	O-RING, SHAFT SEAL
28028403	1	SLINGER
28028503	1	SNAP RING - INTERNAL
28028603	1	SNAP RING - EXTERNAL
28028703	1	SPACER FOR SHAFT
28028803	1	SEAL SUPPORT SPACER 200 SERIES
28028903	1	COUPLING FOR HYDRAULIC MOTOR
28030103	1	CLAMP HOSE GEAR P5/4-S1.5"6724
63009003	1	CENTRIFUGAL PUMP BRACKET
78600703	1	FITT, HYD FLOW FUSE ACE 206N
92702603	1	HOSE PVC SUCT GRAY 1-1/2"
92712403	1	HOSE R X1" X300PSI WP X0012"



NOTE: 600 RPM AND 1000 RPM
PUMPS HAVE 1" INPUT SHAFT

A431

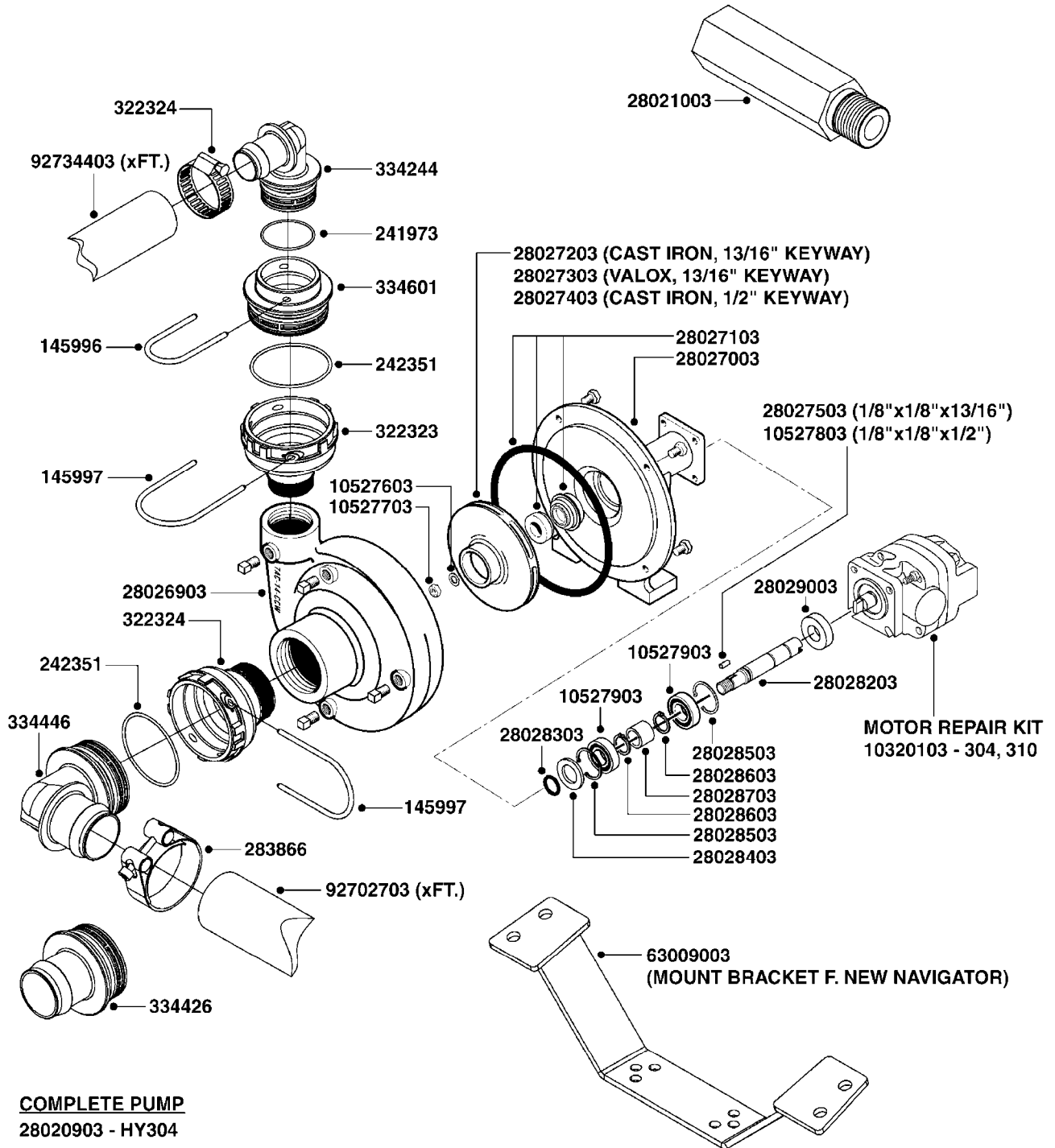


PUMP - ACE 150 BELT DRIVE
A431-HIN, 13:11:12

Page 1

Date 19.03.2013 9:42

parts-n°	order qty	description
450015	1	SCREW ALLAN 3/8'X5/8' BLACK
10527803	1	KEY 1/8x1/8x1/2'F.ACE PUMP
21002203	1	BEARING, SEALED ACE BELT DRIVE
28022303	1	SHIELD KIT
28022403	1	OUTPUT SHAFT ACE BELT DR PUMP
28022503	1	BELT 600 RPM ACE PUMP
28022603	1	BELT 1000 RPM ACE PUMP
28022703	1	IMPELLER THERMOPLASTIC
28022803	1	IMPELLER CAST IRON
28022903	1	REPAIR KIT 600 RPM
28023003	1	REPAIR KIT 1000 RPM
28029203	1	11.6"P.D.X2"BORE PULLEY 600RPM
28029303	1	7.9"P.D.X2"BORE PULLEY 1000RPM



COMPLETE PUMP
28020903 - HY304

COMPLETE ASSEMBLIES
WHOLEGOODS ITEMS

A432



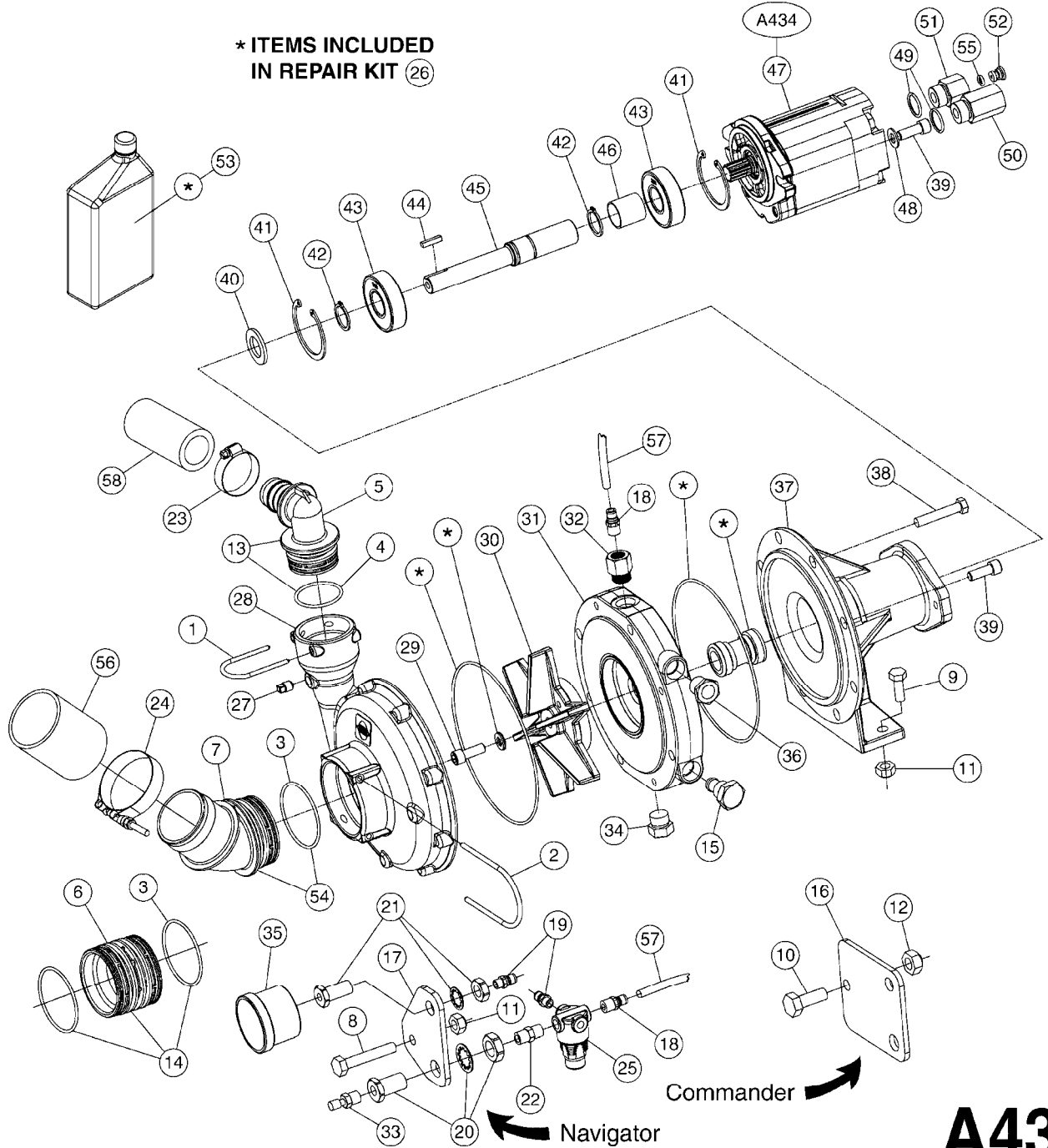
PUMP - 304 ACE CENTRIFUGAL
A432-HIN, 15:12:09

Page 1
Date 19.03.2013 9:42

parts-n°	order qty	description
145996	1	FITT.DK S-67 FORK
145997	1	FITT.DK S-93 FORK
241973	1	O-RING 44.2 x 3.0 (use-242353)
242351	1	O-RING D69.5X3.0 VITON F.S-93
283866	1	CLAMP HOSE SCREW TYPE 2"DELTA
322323	1	FITT.DK S-93 X 1-1/2"BSP MALE
322324	1	FITT.DK S-93 X 2"BSP MALE
334244	1	FITT.DK S-67 ELB.1-1/4"
334426	1	FITT.DK S-93 STR.2'
334446	1	FITT.DK S-93 ELB. 2' RUBBER
334601	1	FITT.DK S-93 TO S67 ADAPTOR
10320103	1	MOTOR REPAIR KIT ACE 304,310
10527603	1	WASHER 3/8' F.ACE PUMP
10527703	1	NUT HEX NF 3/8 F.ACE PUMP
10527803	1	KEY 1/8x1/8x1/2'F.ACE PUMP
10527903	1	BEARING F.ACE PUMP (#40870)
28020903	1	PUMP ACE 304 HYD.
28021003	1	FITT, HYD FLOW FUSE ACE 304
28026903	1	PUMP HOUSING FRONT ACE 304
28027003	1	PUMP HOUSING W.FEET 304
28027103	1	REPAIR KIT ACE 204,210,310
28027203	1	IMPELLER CAST IRON 13/16"SLOT
28027303	1	IMPELLER VALOX 13/16"SLOT
28027403	1	IMPELLER CAST IRON 1/2"SLOT
28027503	1	KEY 1/8x1/8x13/16"F.ACE PUMP
28028203	1	SHAFT 5/8"DIA.13/16"KEYWAY SS
28028303	1	O-RING, SHAFT SEAL
28028403	1	SLINGER
28028503	1	SNAP RING - INTERNAL
28028603	1	SNAP RING - EXTERNAL
28028703	1	SPACER FOR SHAFT
28029003	1	SEAL SUPPORT SPACER 300 SERIES
63009003	1	CENTRIFUGAL PUMP BRACKET
92702703	1	HOSE PVC SUCT GRAY 2"
92734403	1	HOSE R X5/4" X200PSI WP X0012"



*** ITEMS INCLUDED
IN REPAIR KIT (26)**



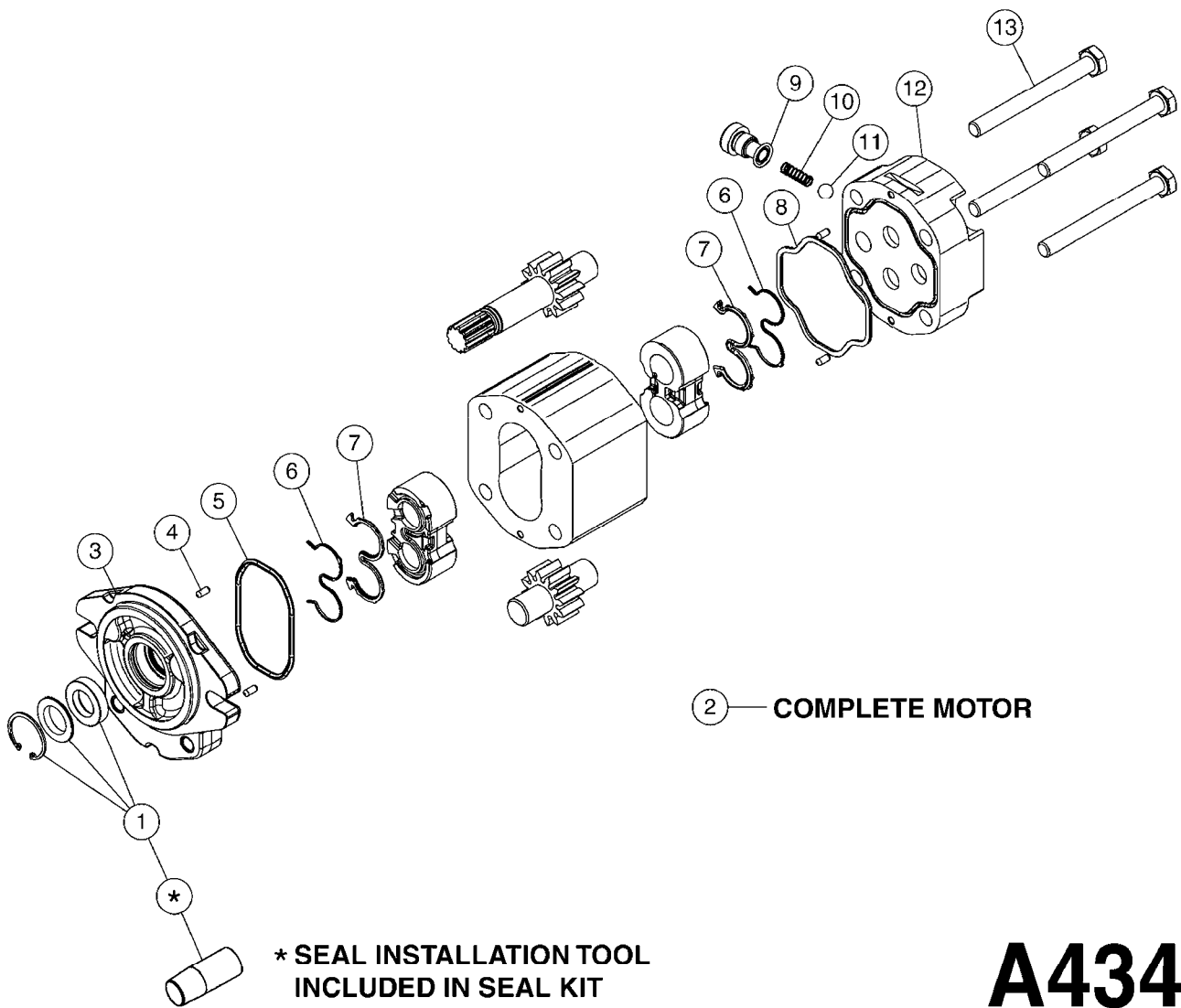
A433



PUMP - 650 ACE CENTRIFUGAL
A433-HIN, 01:11:12

Page 1
Date 19.03.2013 9:42

Pos.	parts-n°	order qty	description
1	145996	1	FITT.DK S-67 FORK
2	145997	1	FITT.DK S-93 FORK
3	242351	1	O-RING D69.5X3.0 VITON F.S-93
4	242353	1	O-RING D44.2X3.0 VITON F.S-67
5	334244	1	FITT.DK S-67 ELB.1-1/4"
6	334572	1	FITT.DK S-93 ADAPTOR MALE MALE
7	334883	1	FITT.DK S-93 ELB.2-1/2"45D PVC
8	420906	1	BOLT HEX 8.8 DEL M10X60
9	421002	1	BOLT HEX 8.8 DEL M10X30 FT
10	430286	1	BOLT HEX 8.8 DEL M12X30 FT
11	460423	1	NUT HEX M10X1.5 LOCK
12	460703	1	NUT HEX M12X1.75 LOCK
13	726573	1	FITT. S67 5/4" 90° W/O-RING
14	728525	1	FITT. S93 CONNECTOR W/O-RINGS
15	782131	1	BLIND PLUG F.3/4" CARTR.VALVE
16	16162303	1	BRKT, ACE 650, GAUGE GAUGE BRACKET FOR COMMANDER
17	16162703	1	BRKT, ACE 650, NAV. GAUGE GAUGE BRACKET FOR NAVIGATOR
18	23003703	1	FITT 1/4 NPTF-1/4 PTC
19	23003803	1	FITT 1/8 NPTF-1/4 PTC
20	23003903	1	FITT 1/4 THRU-WALL COUP,3/4-16
21	23004003	1	FITT 1/8 THRU-WALL COUP,5/8-18
22	23004203	1	FITT 1/4" NPTF-1/4" NPTF UNION
23	28030103	1	CLAMP HOSE GEAR P5/4-S1.5"6724
24	28030303	1	CLAMP HOSE T-BOLT S2.5" 235-76
25	28065303	1	REGULATOR 1/4", 30PSI, PARKER
26	28066503	1	PUMP REPAIR KIT ACE 650 INCLUDES 1 QT. BARRIER FLUID
27	28068303	1	PLUG 1/8" NPT SS
28	28068403	1	PUMP HOUSING FRONT ACE 650
29	28068503	1	CAP SCREW 3/8" X 3/4" SS
30	28068603	1	IMPELLER, WETSEAL SS ACE 650
31	28068703	1	SEAL PLATE SS ACE 650
32	28068803	1	ADAPTER #8 SAE X 1/4" FNPT
33	28068903	1	AIR VALVE 1/4"
34	28069003	1	PLUG #8 SAE X 1/8" FNPT
35	28069203	1	PRESS.GAUGE 0-60 PSI 1/8" NPT
36	28069303	1	SIGHT GAUGE #8 SAE W/FLOAT
37	28069403	1	PUMP HOUSING REAR ACE 650
38	28069503	1	CAP SCREW 3/8" X 2"
39	28069603	1	CAP SCREW 3/8" X 1"
40	28069703	1	SLINGER 1.5" X 7/8"
41	28069803	1	SNAP RING INTERNAL, FRAME
42	28069903	1	SNAP RING EXTERNAL, SHAFT
43	28070003	1	BEARING F.ACE 650 PUMP
44	28070103	1	KEY 0.188 X 0.188 X 0.875
45	28070203	1	SHAFT 11T FEMALE SPLINE SS
46	28070303	1	SPACER, SHAFT ACE 650
47	28070403	1	HYDRAULIC MOTOR ACE 650
48	28070503	1	WASHER 3/8" SS
49	28070603	1	O-RING #10 SAE
50	28070703	1	REVERSE CHECK ASSEMBLY #10 SAE
51	28070803	1	BODY F.RESTRICTOR, #10 SAE
52	28070903	1	RESTRICTOR
53	29004303	1	ACE 650, BARRIER FLUID 32oz
54	72072900	1	FITT.S93 2-1/2" 45°PVC W/ORING
55	78601603	1	O-RING F. RESTRIC ACE HYD PUMP
56	92702803	1	HOSE PVC SUCT GRAY 2-1/2"
57	92703303	1	HOSE LLDPE .25"X.17"X12" BLACK
58	92734403	1	HOSE R X5/4" X200PSI WP X0012"



A434

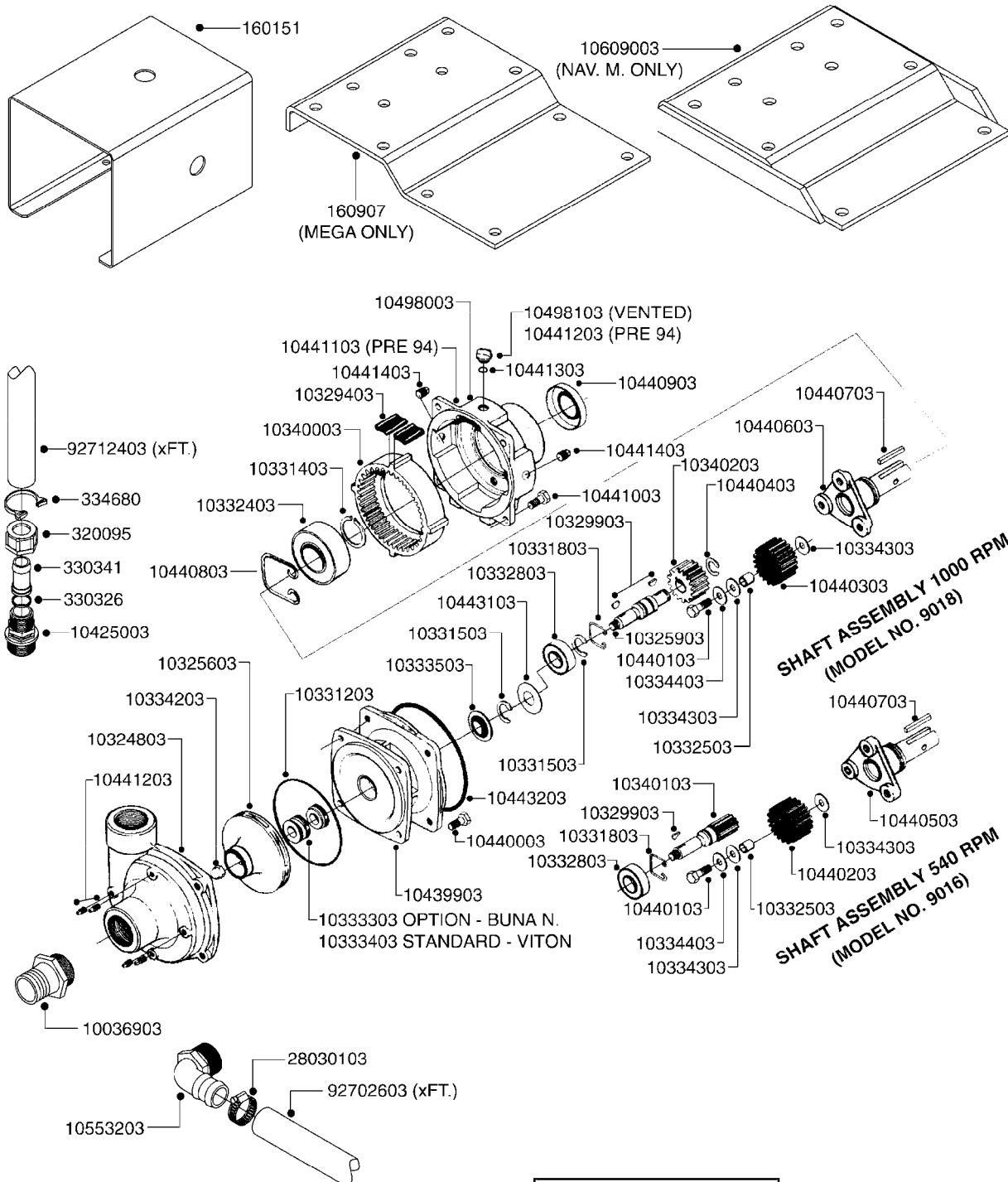


PUMP HYD.MOTOR ACE 650
A434-HIN, 10:05:12

Page 1

Date 19.03.2013 9:42

Pos.	parts-n°	order qty	description
1	28066603	1	MOTOR REPAIR KIT ACE 650
2	28070403	1	HYDRAULIC MOTOR ACE 650
3	28071003	1	DRIVE PLATE, FLANGE, ACE MOTOR
4	28071103	1	PIN, MOTOR ASSEMBLY
5	28071203	1	HOUSING SEAL, FRONT EXTERNAL
6	28071303	1	ANTI-EXTRUSION SEAL
7	28071403	1	COMPENSATION SEAL
8	28071503	1	HOUSING SEAL, REAR EXTERNAL
9	28071603	1	O-RING, COASTING CHECK CAP
10	28071703	1	SPRING, COASTING CHECK
11	28071803	1	BALL, COASTING CHECK
12	28071903	1	END PLATE W.#10 SAE END PORTS
13	28072003	1	HEX CAP SCREW, MOTOR ASSEMBLY



**COMPLETE ASSEMBLIES
WHOLEGOODS ITEMS**

COMPLETE PUMPS

10012903 - 9016C 540 RPM

10013103 - 9018C 1000RPM

Gear lube requirement: 6fl. oz. 80W90 Oil

A440

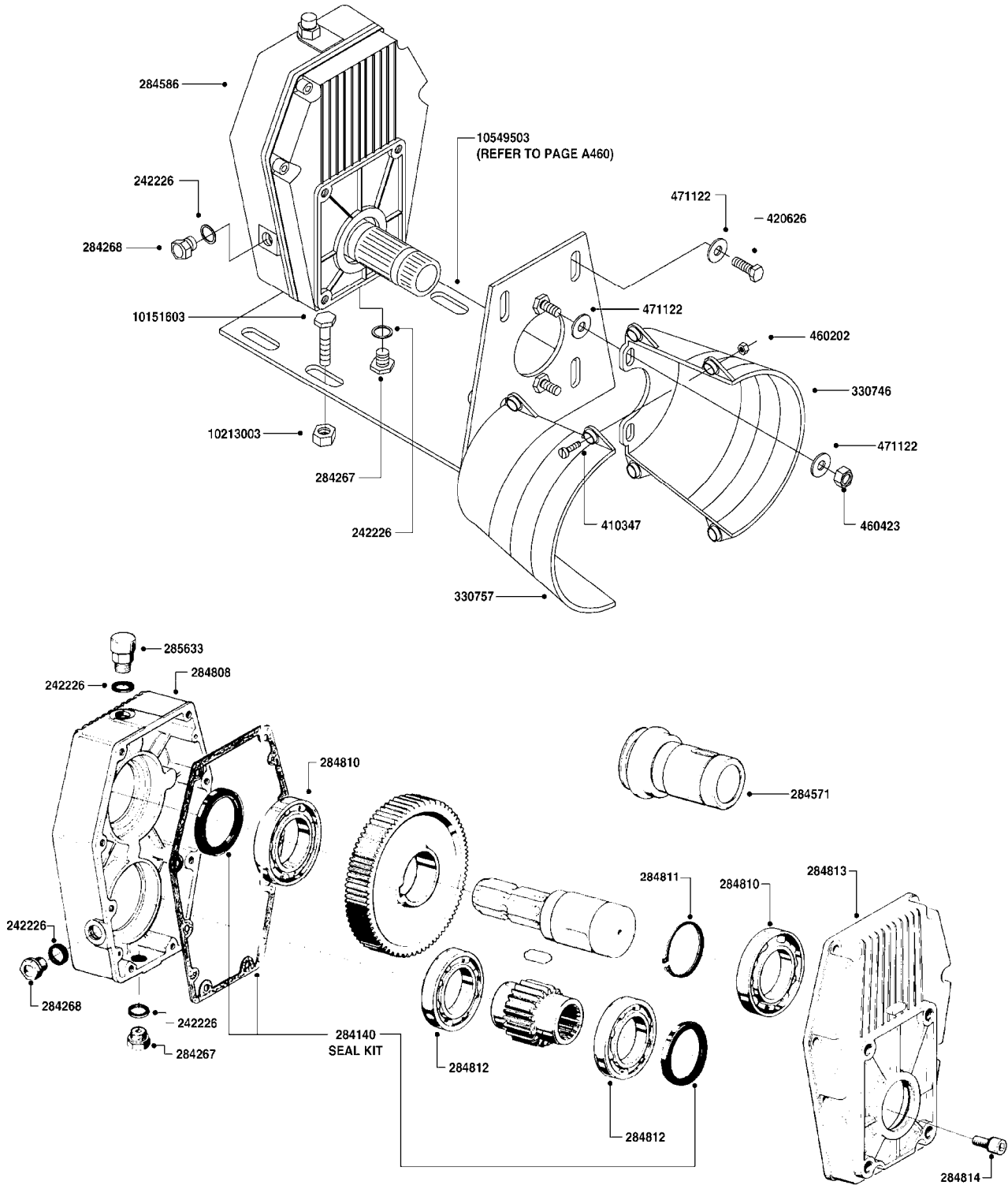


PUMP 9016/9018 HYPRO CENT.
A440-HIN, 08:12:09

Page 1

Date 19.03.2013 9:42

parts-n°	order qty	description
10012903	1	PUMP HYPRO C9016 540 RPM 90023
10013103	1	PUMP HYPRO 9018C CENT.1000 RPM
10036903	1	FITT.PO.HB 1.50X1.50 IMB1212
10324803	1	PUMP CASING
10325603	1	IMPELLER NYLON
10325903	1	IMPELLER SHAFT
10329403	1	CUSHION BUMPER
10329903	1	KEY WOODRUFF
10331203	1	O-RING
10331403	1	RING RETAINING
10331503	1	SNAP-RING
10331803	1	RING RETAINING
10332403	1	BEARING BALL
10332503	1	BEARING INNER RACE
10332803	1	BEARING BALL
10333303	1	SEAL KIT F. HYPRO 9016/18 BUNA
10333403	1	SEAL KIT F.HYPRO 9016/18 VITON
10333503	1	BEARING SHIELD & OIL SEAL
10334203	1	NUT HEX CAP HYPRO PUMP
10334303	1	WASHER 32OD X 19ID X 2.5TK PLA
10334403	1	WASHER 32OD X13ID X 1.5
10340003	1	RING GEAR
10340103	1	PINION GEARED IMPELLER SHAFT
10340203	1	SUN GEAR
10425003	1	FITT.PO.HN 1.25X1.00 MCPHEE
10439903	1	MOUNTING FLANGE ADAPTOR
10440003	1	SCREW HEX HEAD CAP
10440103	1	SCREW HEX HEAD CAP
10440203	1	GEAR W BGRS.540 RPM (DRIVER)
10440303	1	GEAR W BGRS. 1000 RPM (DRIVER)
10440403	1	RING RETAINER HYPRO 1K CENT.
10440503	1	DRIVER HUB 540 RPM
10440603	1	DRIVER HUB 1000 RPM
10440703	1	KEY SQ 1/4"x1-1/2"
10440803	1	RING RETAINER
10440903	1	OIL SEAL
10441003	1	SCREW HEX HEAD CAP
10441103	1	GEAR CASING
10441203	1	OIL FILL PLUG
10441303	1	O-RING
10441403	1	OIL PLUG
10443103	1	WASHER SEAL (PAPER)
10443203	1	O-RING
10498003	1	CASTING F.HYPRO 9016/18 (GEAR)
10498103	1	PLUG F.HYPRO GEAR CASTING 9016
10553203	1	FITT.PO.EL 1.5X1.5 HB BLACK
10609003	1	PUMP BASE HYPRO NAV.
160151	1	SHEILD FOR 9016 PUMP ESC
160907	1	MOUNT PLATE F.CENT.PUMP MEGA
28030103	1	CLAMP HOSE GEAR P5/4-S1.5"6724
320095	1	FITT.DK NUT 1" BSP
330326	1	O-RING D30/D24X2 F.1"NUT
330341	1	FITT.DK HB 1" F. 1" NUT
334680	1	CLAMP HOSE PLASTIC 1"
92702603	1	HOSE PVC SUCT GRAY 1-1/2"
92712403	1	HOSE R X1" X300PSI WP X0012"



GEAR LUBE REQUIREMENT
SAE 90 GEAR LUBE
(FILL TO SIGHT GAUGE CENTER)

COMPLETE ASSEMBLIES
WHOLEGOODS ITEMS

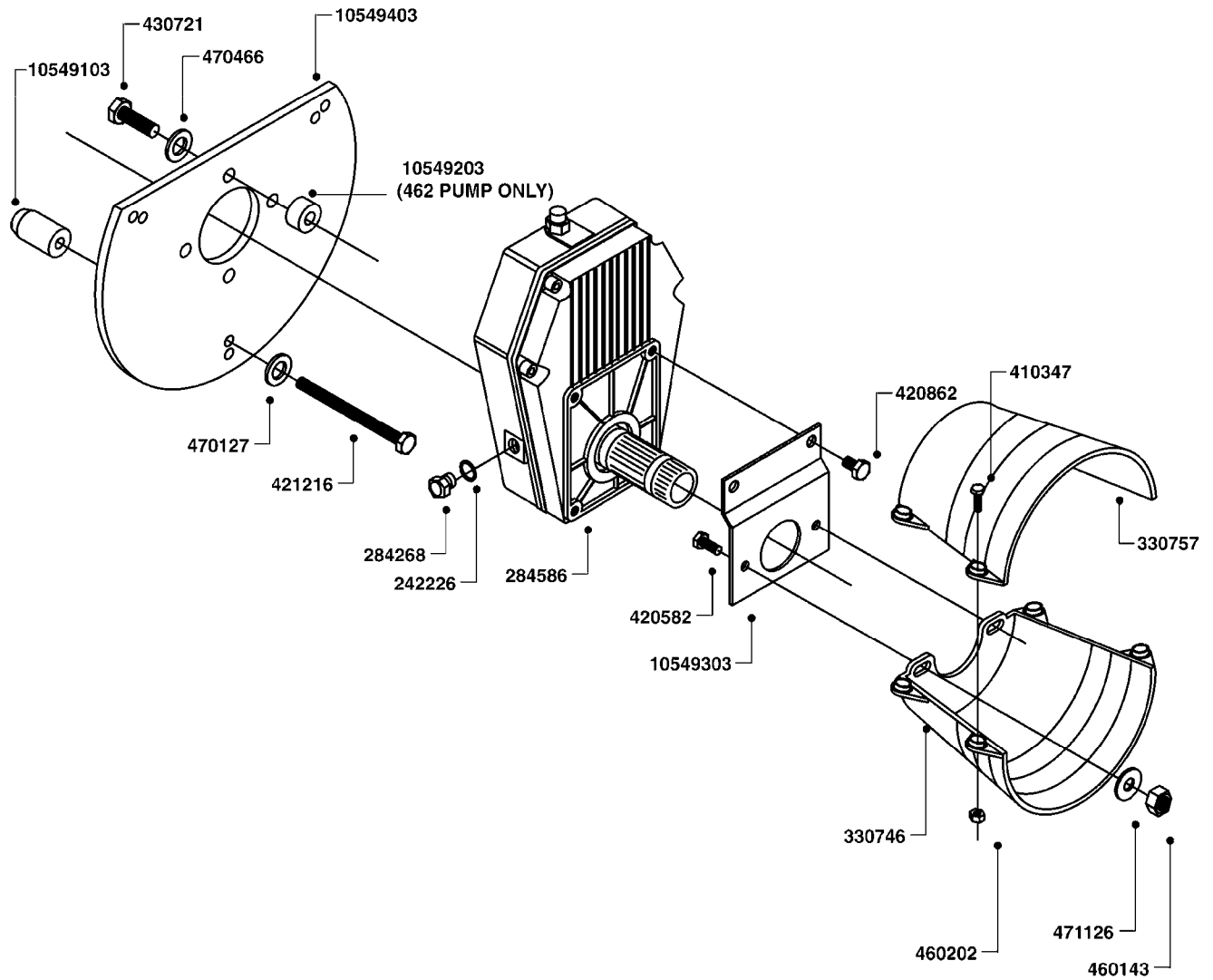
A450



GEAR DRIVE 1000RPM 361-3/460-3
A450-HIN, 10:12:05

Page 1
Date 19.03.2013 9:42

parts-n°	order qty	description
242226	1	SEAL WASHER F.BOTTOM PLUG
284140	1	GASKET SET FOR GEAR ML52 1/3
284267	1	BOTTOM PLUG F. GEAR ML52
284268	1	LEVEL INDICATOR GEAR ML 52
284571	1	SHAFT F.ML52
284586	1	GEAR BOX 1000 RPM
284808	1	HOUSING F.ML52 GEARBOX
284810	1	BEARING INNER ML52 GEARBOX
284811	1	SNAP-RING OUTER 46X2
284812	1	BEARING OUTER ML52 GEARBOX
284813	1	ENDCOVER F.ML52 GEARBOX
284814	1	SCREW F.END COVER ML52 GEARBOX
285633	1	BOTTOM PLUG F.M7 GEAR
330746	1	GUARD PTO LOWER PART
330757	1	GUARD PTO UPPER PART
410347	1	SCREW M6X20 8.8
420626	1	BOLT HEX 8.8 DEL M10X20 FT
460202	1	NUT HEX M6
460423	1	NUT HEX M10X1.5 LOCK
471122	1	WASHER D20/D10.5X2 SS
10151603	1	BOLT HEX 7/16 NC GR.2 01.50'
10213003	1	NUT HEX NC (NYLON LOCK) 7/16"
10549503	1	GEAR BOX KIT 1000 RPM LESS G/B



10549503 - KIT WITHOUT GEARBOX
10549603 - COMPLETE KIT WITH GEARBOX

COMPLETE ASSEMBLIES
WHOLEGOODS ITEMS

A460

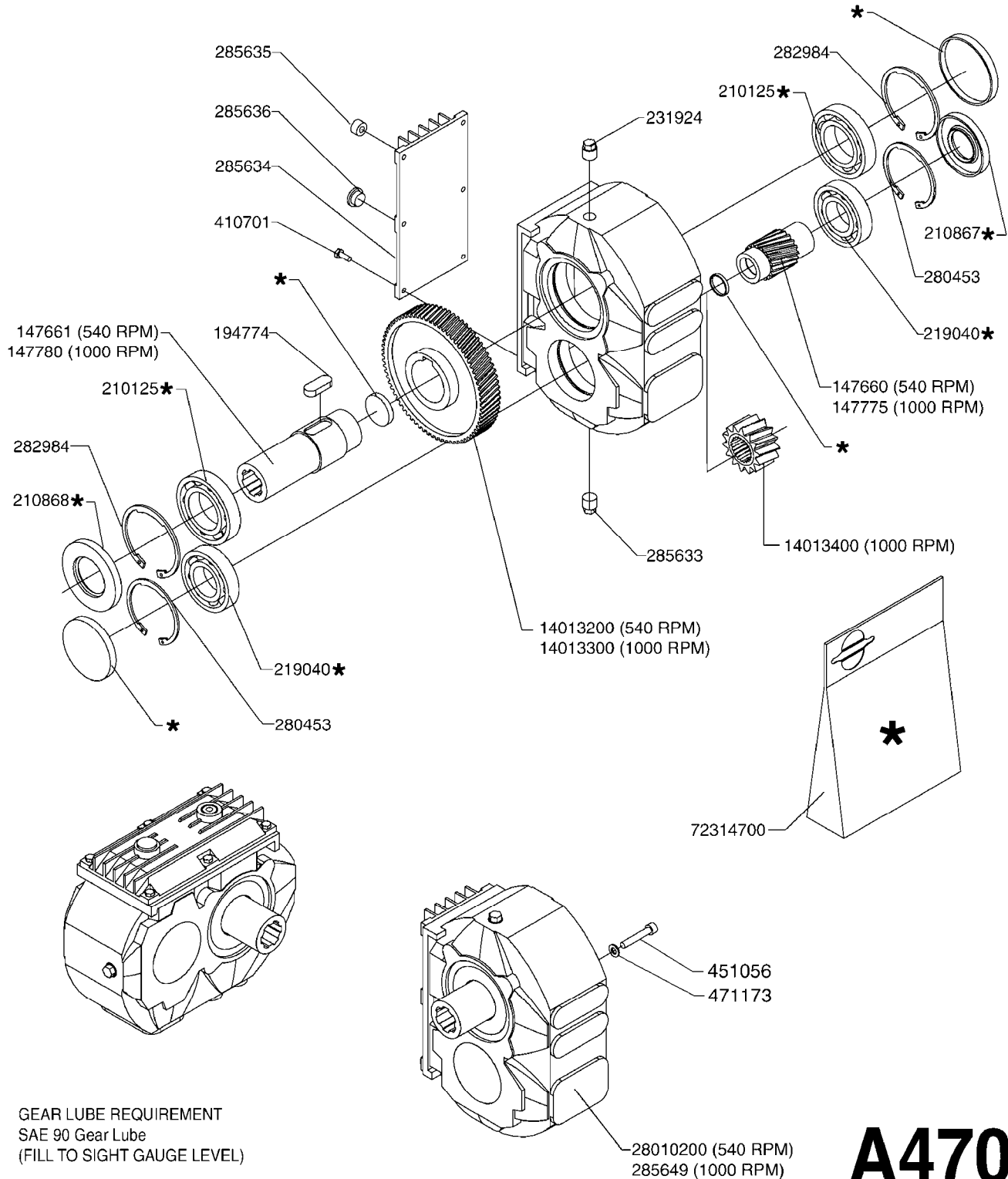


GEAR BOX KIT 1000 RPM
A460-HIN, 01:01:01

Page 1

Date 19.03.2013 9:42

parts-n°	order qty	description
10549103	1	BUSHING D28/D10.5X50
10549203	1	BUSHING D28/D12.5X16
10549303	1	MOUNT PLATE PTO COVER 1000 RPM
10549403	1	MOUNT PLATE F.G/BOX 1000 PRM
10549503	1	GEAR BOX KIT 1000 RPM LESS G/B
10549603	1	GEAR BOX KIT 1000 RPM 361/462
242226	1	SEAL WASHER F.BOTTOM PLUG
284268	1	LEVEL INDICATOR GEAR ML 52
284586	1	GEAR BOX 1000 RPM
330746	1	GUARD PTO LOWER PART
330757	1	GUARD PTO UPPER PART
410347	1	SCREW M6X20 8.8
420582	1	BOLT HEX 8.8 DEL M8X20 FT
420862	1	BOLT HEX 8.8 DEL M10X16 FT
421216	1	BOLT HEX 8.8 DEL M10X130
430721	1	BOLT HEX 8.8 DEL M12X40 FT
460143	1	NUT HEX M8 LOCK
460202	1	NUT HEX M6
470127	1	WASHER D15D10X2 M10 LOCK
470466	1	WASHER D21.1/D12.2X2.5 LOCK
471126	1	WASHER D16/D8.4X1.6 SS



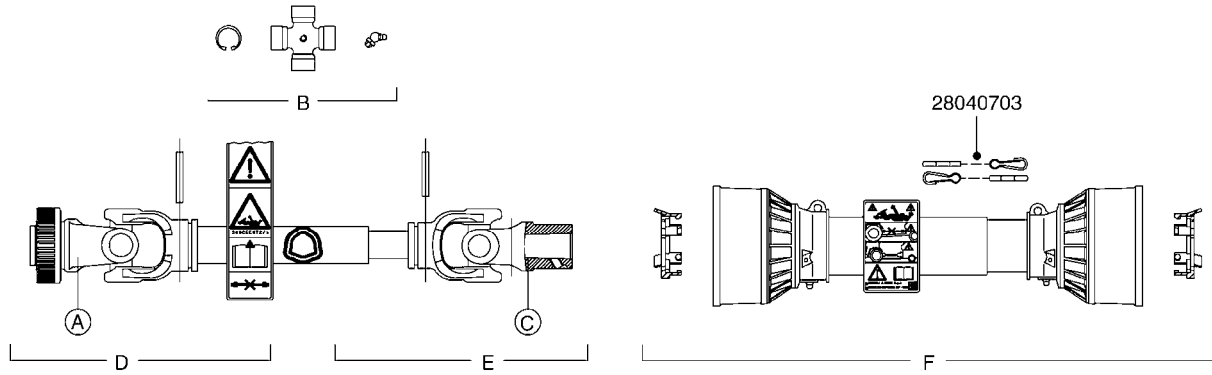


GEAR BOX - TWIN FORCE 540/1000
A470-HIN, 16:11:09

Page 1

Date 19.03.2013 9:42

parts-n°	order qty	description
147660	1	AXLE (LOWER) F.M7 GEAR 540 RPM
147661	1	AXLE (UPPER) F.M7 GEAR 540 RPM
147775	1	AXLE (LOWER) F.M7 GEAR 1000 RPM
147780	1	AXLE (UPPER) F.M7 GEAR 1000 RPM
194774	1	KEY 16X10X40
210125	1	BEARING BALL 6210
210867	1	OIL SEAL D80/40X8/F.M7 GEAR
210868	1	OIL SEAL D90/50X10/F.M7 GEAR
219040	1	BEARING
231924	1	PLUG 3/8'
280453	1	SNAP-RING INNER 80X2.5
282984	1	SNAP-RING INNER 90X3.00 DIN472
285633	1	BOTTOM PLUG F.M7 GEAR
285634	1	COVER F.M7 GEAR BOX
285635	1	PLUG F.COVER M7 GEAR BOX
285636	1	LEVEL INDICATOR F.M7 GEAR BOX
285649	1	GEAR BOX F.1000RPM TWIN FORCE
410701	1	SCREW M6X16 GALV.
451056	1	BOLT ALLEN HEAD M14 X 35
471173	1	WASHER D28.0/15.0 X 2.5
14013200	1	GEARWHEEL M7 (540 RPM)
14013300	1	GEARWHEEL M7 (1000 RPM)
14013400	1	TOOTHED WHEEL M7 GEAR 1000RPM
28010200	1	GEAR M7 28010100 540
72314700	1	GASKET SET FOR M7 GEARBOX



PTO	TRACTOR	IMPLEMENT	LENGTH	A	B	C	D	E	F
28020203	1-3/4" 20-SPLINE	1-3/8" 21-SPLINE	860/1313	28015703	28009403	28040603	28015803	28015903	28016003
28020303	1-3/8" 21-SPLINE	1-3/8" 21-SPLINE	860/1328	28015103	28015203	28015303	28015403	28015503	28015603
829445	1-3/8" 6-SPLINE	1-3/8" 6-SPLINE	810/1219	284041	289045	289041	28016703	28016803	289050
829446	1-3/8" 6-SPLINE	1-3/8" 6-SPLINE	810/1230	289040	284041	289040	28016203	28016303	289049
829480	1-3/8" 21-SPLINE	1-3/8" 21-SPLINE	1210/1912	28005200	289042	28005800	28006700	28007300	28008100
829482 *	1-3/8" 6-SPLINE	Ø25 CONE 3	610/912	28005400	289042	28006000	28008500	28007500	28008600
829483 *	1-3/8" 6-SPLINE	Ø30 CONE 4	610/912	28005400	289042	28006100	28008500	-	28008600
829484 *	1-3/8" 6-SPLINE	1-3/8" 6-SPLINE	610/912	28005400	289042	28006200	28008500	-	28008600
829486	1-3/8" 6-SPLINE	Ø30 CONE 4	860/1328	28005400	289042	28006100	28006900	-	28008100
829487 *	1-3/8" 6-SPLINE	1-3/8" 6-SPLINE	860/1328	28005400	289042	28006200	28006900	-	28008100
829490	1-3/8" 6-SPLINE	Ø30 CONE 4	1210/1912	28005400	289042	28006100	28006900	-	28008100
829491	1-3/8" 6-SPLINE	Ø1"	610/912	28005400	289042	28006300	28008500	28007800	28008600
829502 *	1-3/8" 6-SPLINE	1-3/8" 6-SPLINE	1210/1912	28068800	28069700	28073000	-	-	28072800

* Supplier changed in 2011 - see page A560 for "AMA" PTO's (yellow and black shields).

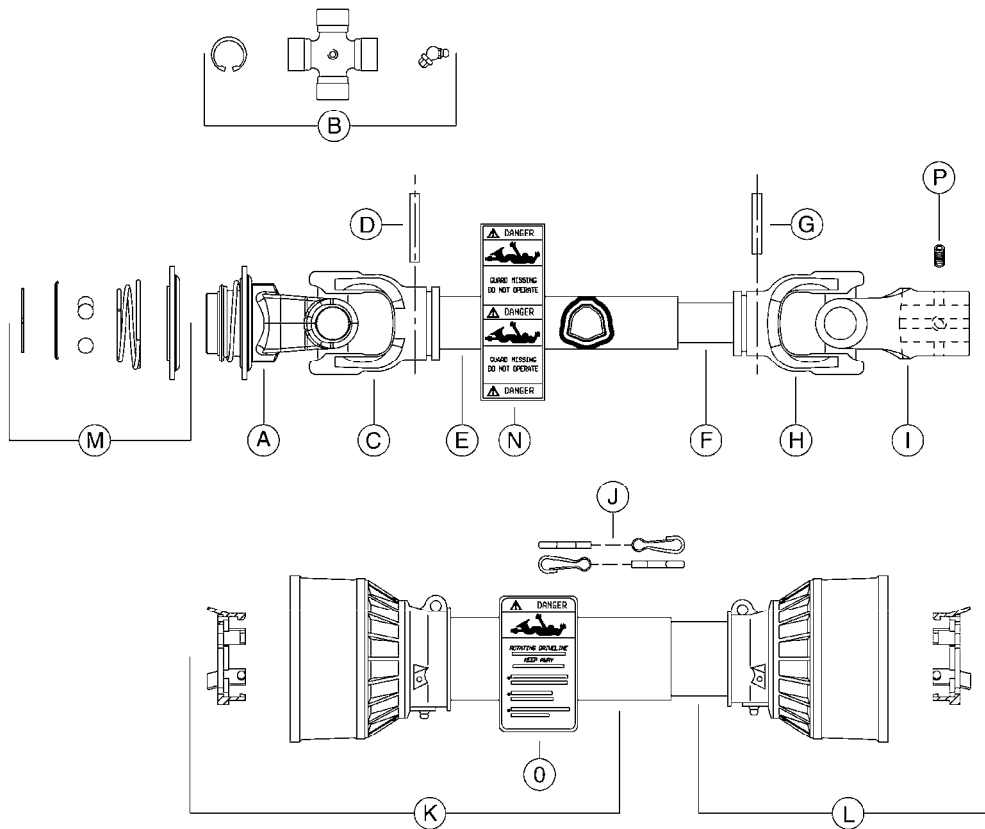
A480



PTO SHAFTS - BONDIOLI DIAPH.
A480-HIN, 13:12:11

Page 1
Date 19.03.2013 9:42

parts-n°	order qty	description
284041	1	UNIV. JOINT 27x70mm
289040	1	PTO YOKE 1-3/8" X 6 SPLINE
289041	1	PTO YOKE 1-3/8" X 6 SPLINE
289042	1	UNIV.CROSS F. PTO SHAFT 41201
289045	1	UNIV.CROSS F. PTO SHAFT TWIN
289049	1	PTO SHIELD COMPLETE F.829446
289050	1	PTO SHIELD COMPLETE F.829445
829445	1	PTO 1-3/8/6X1-3/8/6X810M AXIAL
829446	1	PTO SHAFT LE-SPV + LP ZE-P540
829480	1	PTO 1-3/8/21 x 1-3/8/21x1210MM
829482	1	PTO 1-3/8/6X25MM X 600MM 1202
829483	1	PTO 1-3/8/6X30MM x 600MM 1302
829484	1	PTO 1-3/8/6X1-3/8/6X575MM 361
829486	1	PTO 1-3/8/6X30MM X870MM 1302
829487	1	PTO 1-3/8/6X1-3/8/6X870MM 361
829490	1	PTO 1-3/8/6X30MM 1320MM 1302
829491	1	PTO 1-3/8/6X1' 610/913MM 9016
829502	1	PTO 3/8-1210/1745
28005200	1	PTO YOKE 1-3/8" X 21 SPLINE
28005400	1	PTO YOKE 1-3/8" X 6 SPLINE
28005800	1	PTO YOKE 1-3/8" X 21 SPLINE
28006000	1	PTO YOKE D25 CONE 3 DEG.
28006100	1	PTO YOKE D30 CONE 4 DEG.
28006200	1	PTO YOKE 1-3/8" X 6 SPLINE
28006300	1	PTO YOKE D1"
28006700	1	PTO OUTER 1-3/8"X21(NO SHIELD)
28006900	1	PTO OUTER 1-3/8"X21(NO SHIELD)
28007300	1	PTO INNER 1-3/8"X21(NO SHIELD)
28007500	1	PTO INNER 1-3/8"X21(NO SHIELD)
28007800	1	PTO INNER 1-3/8"X21(NO SHIELD)
28008100	1	TRACK RH 187" X 14" (30-1401)
28008500	1	PTO OUTER 1-3/8"X21(NO SHIELD)
28008600	1	PTO SHIELD ASSY COMPLETE
28009403	1	UNIV. JOINT 23.8x61.3mm
28015103	1	PTO YOKE 1-3/8"X21 TWST OLD
28015203	1	UNIV. JOINT 23.8x61.3mm
28015303	1	PTO YOKE 1-3/8"X21 BALL COLLAR
28015403	1	PTO OUTER 1-3/8"X21(NO SHIELD)
28015503	1	PTO INNER 1-3/8"X21(NO SHIELD)
28015603	1	PTO SHIELD COMPLETE F.28020303
28015703	1	PTO YOKE 1-3/4"X20 SPL OUTER
28015803	1	PTO OUTER 1-3/4"X20(NO SHIELD)
28015903	1	PTO INNER 1-3/8"X21(NO SHIELD)
28016003	1	PTO SHIELD COMPLETE F.10465803
28016203	1	PTO OUTER 1-3/8"X6(NO SHIELD)
28016303	1	PTO INNER 1-3/8"X6(NO SHIELD)
28016703	1	PTO OUTER 1-3/8"X6(NO SHIELD)
28016803	1	PTO INNER 1-3/8"X6(NO SHIELD)
28020203	1	PTO 1-3/4/20x1-3/8/21 BP L=860
28020303	1	PTO 1-3/8/21 x 1-3/8/21 B&P
28040603	1	PTO YOKE 1-3/8X21SPL BLACK
28040703	1	SAFETY CHAIN F.CV BLACK PTO
28068800	1	PTO YOKE 1-3/8" X 6 SPLINE
28069700	1	UNIV. JOINT STD1 SFT
28072800	1	PTO SHIELD COMPLETE L=1912 SFT
28073000	1	PTO YOKE 1-3/8" X 6 SPLINE



**COMPLETE ASSEMBLIES
WHOLEGOOD ITEMS**

PTO #	28021403	28021503	28021603
TRACTOR	1-3/8" 6 SPLINE	1-3/8" 21 SPLINE	1-3/4" 20 SPLINE
IMPLEMENT	D1"	D1"	D1"
LENGTH	1031/1501	1031/1499	1066/1519
A	28056703	28056803	28056903
B	289042	289042	28040503
C	28057003	28057003	28057103
D	28057203	28057203	28009803
E	28057303	28057303	28057403
F	28057503	28057503	28057603
G	28057703	28057703	28009903
H	28058503	28058503	28010103
I	28057803	28057803	28057903
J	28040703	28040703	28040703
K	28058003	28058003	28058103
L	28058203	28058203	28058303
M	28027903	28027903	28058403
N	28041803	28041803	28041803
O	28041903	28041903	28041903
P	450015	450015	450015

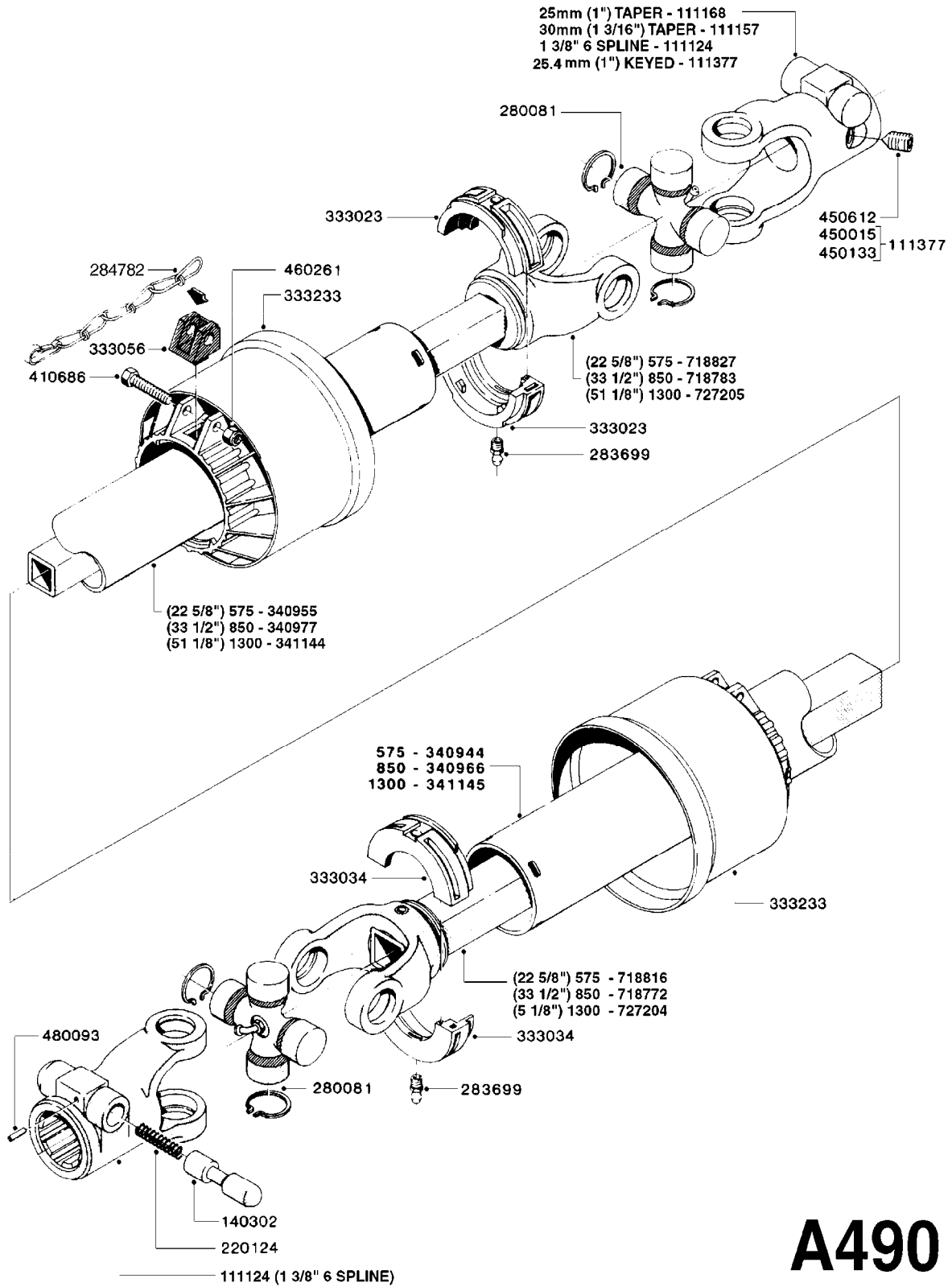
A485



PTO SHAFTS - BONDIOLI CENT.
A485-HIN, 13:11:12

Page 1
Date 19.03.2013 9:42

parts-n°	order qty	description
289042	1	UNIV.CROSS F. PTO SHAFT 41201
450015	1	SCREW ALLAN 3/8'X5/8' BLACK
28009803	1	PTO PIN TUBE RETAINER OUTER
28009903	1	PTO TUBE RETAINER INNER
28010103	1	PTO YOKE F.INNER TUBE CV PTO
28021403	1	PTO 1"STR/1-3/8" 6SPL B&P
28021503	1	PTO 1"STR/1-3/8" 21SPL B&P
28021603	1	PTO 1"STR/1-3/4" 20SPL B&P
28027903	1	PTO BALL LOCK.KIT F.1-3/8 YOKE
28040503	1	UNIV. JOINT 30.2x79.4mm F/BLK.
28040703	1	SAFETY CHAIN F.CV BLACK PTO
28041803	1	DECAL DANGER GUARD MISSING
28041903	1	DECAL DANGER ROT.DRIVELINE
28056703	1	PTO YOKE #1 1-3/8" X 6 SPLINE
28056803	1	PTO YOKE #1 1-3/8" X 21 SPLINE
28056903	1	PTO YOKE #4 1-3/8" X 20 SPLINE
28057003	1	PTO TUBE YOKE #1-G1 OUTER
28057103	1	PTO TUBE YOKE #4-G4 OUTER
28057203	1	PTO PIN TUBE RETAINER OUTER
28057303	1	PTO TUBE OUTER #1 745MM
28057403	1	PTO TUBE OUTER #4 720MM
28057503	1	PTO TUBE INNER #1 745MM
28057603	1	PTO TUBE INNER #4 720MM
28057703	1	PTO TUBE RETAINER INNER
28057803	1	PTO TUBE YOKE #1 Ø=1"
28057903	1	PTO TUBE YOKE #4 Ø=1"
28058003	1	PTO SHIELD COMPLETE
28058103	1	PTO SHIELD COMPLETE
28058203	1	TRACK LH 187" X 14" (30-1401)
28058303	1	TRACK LH 187" X 14" (30-1401)
28058403	1	PTO BALL LOCK.KIT F.1-3/4 YOKE
28058503	1	PTO TUBE YOKE #1-G1 INNER



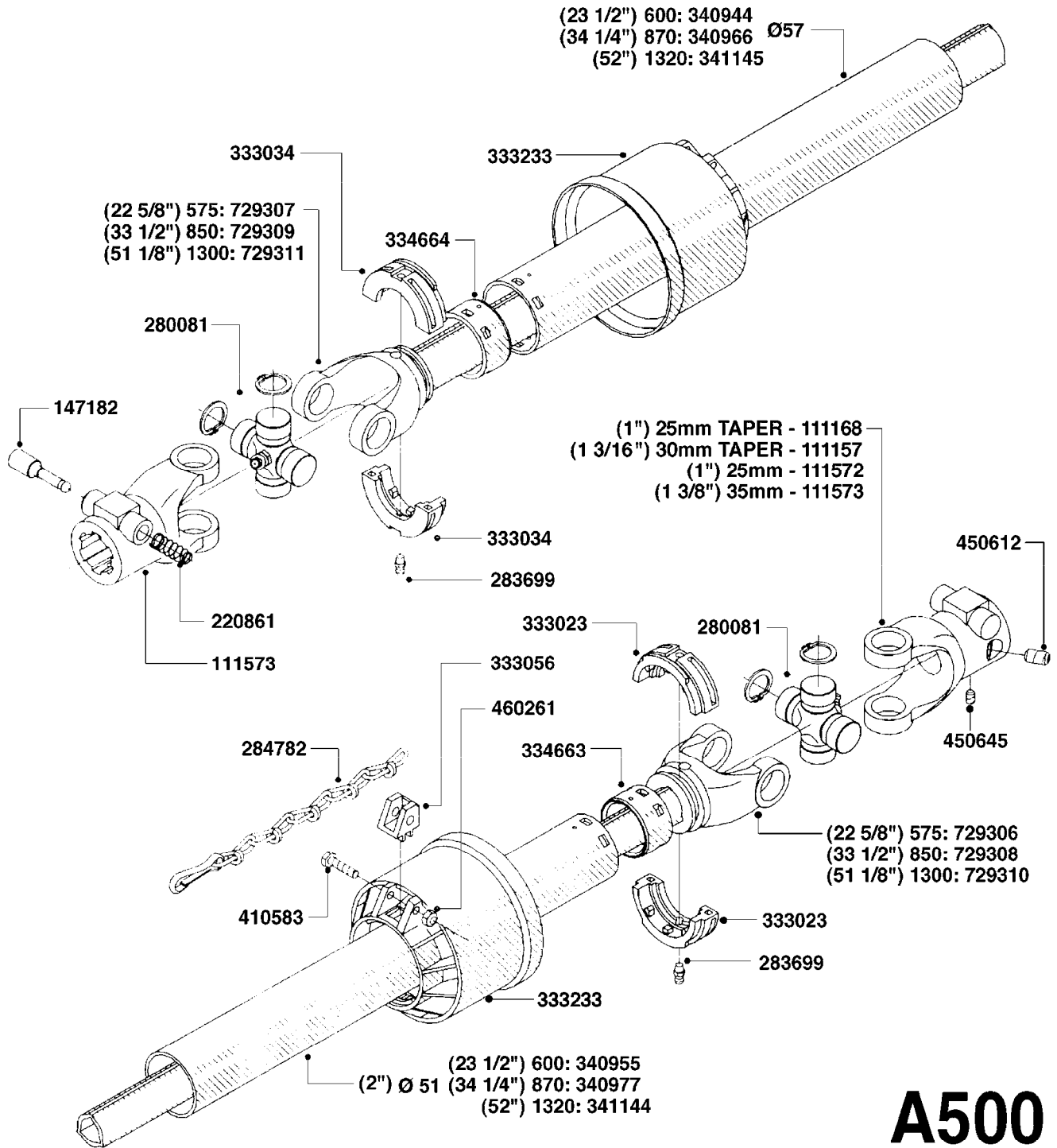
A490



PTO HARDI-SQUARE SHAFT 540 RPM
A490-HIN, 01:01:01

Page 1
Date 19.03.2013 9:42

parts-n°	order qty	description
111124	1	YOKE PTO 1-3/8' X 6 SPLINE
111157	1	YOKE PTO 30MM TAPERED
111168	1	YOKE PTO 25 MM TAPERED
111377	1	YOKE PTO 1' KEYED
140302	1	BUTTON P.T.O. SHAFT
220124	1	SPRING FOR PIVOT 32/0 7,8
280081	1	UNIV. JOINT CROSS COMPL.W NIPP
283699	1	GREASE NIPPLE M6X1
284782	1	CHAIN F.PTO
333023	1	BEARING HALF, SMALL
333034	1	BEARING HALF BIG
333056	1	LOCK FOR P.T.O. COVER
333233	1	P.T.O. COVER FOR CARDAN
340944	1	PTO SHAFT COVER, TRACT.END 420
340955	1	PTO SHAFT,PUMP END420alt341144
340966	1	PTO SHFT TRCT.END690 alt341145
340977	1	PTO ,PUMP END 690 alt 341144
341144	1	PTO SHAFT COVER, PUMP END 1140
341145	1	PTO SHAFT COVER,TRACT.END 1140
410686	1	BOLT HEX 8.8 DEL M6X30
450015	1	SCREW ALLAN 3/8'X5/8' BLACK
450133	1	SCREW SET M6X10 BLACK ALLAN
450612	1	SCREW M10X16 POINTED
460261	1	NUT HEX M6X1 LOCK
480093	1	PIN RETAINING M3X16 BLACK
718772	1	PTO YOKE & OUTER TUBE L=850
718783	1	PTO YOKE & INNER TUBE L=850MM
718816	1	PTO YOKE & OUTER TUBE L=575MM
718827	1	PTO YOKE & INNER TUBE L=575MM
727204	1	PTO YOKE & OUTER TUBE L=1200MM
727205	1	PTO YOKE & INNER TUBE L=1200MM



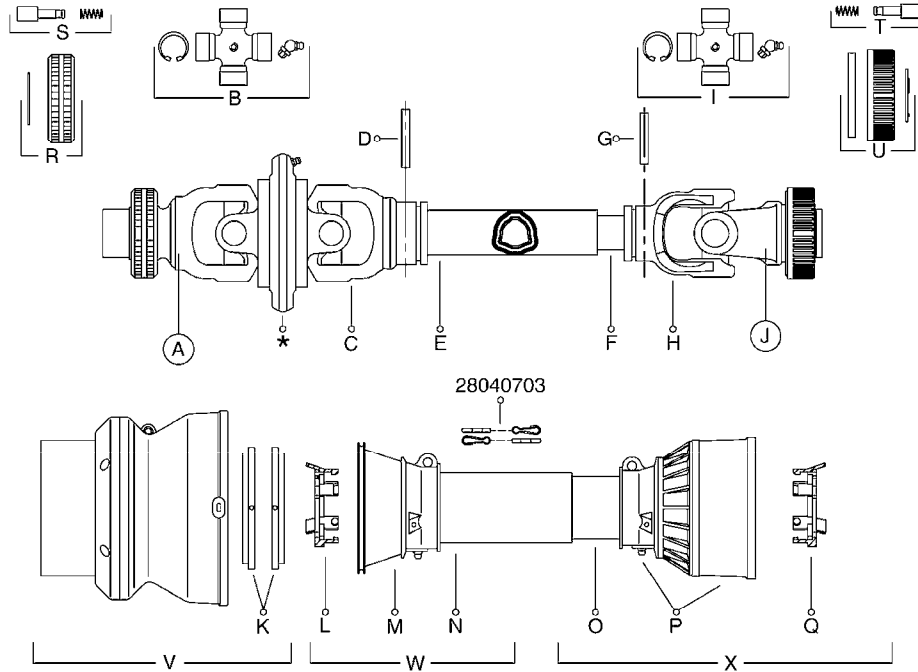
A500



PTO HARDI TRIANGULAR SHAFT 540
A500-HIN, 01:01:01

Page 1
Date 19.03.2013 9:42

parts-n°	order qty	description
111157	1	YOKE PTO 30MM TAPERED
111168	1	YOKE PTO 25 MM TAPERED
111572	1	PTO YOKE 1'BORED TRIANGLE
111573	1	PTO YOKE 1-3/8'X6 SPLINE TRIAN
147182	1	PTO LOCK PIN
220861	1	SPRING F.PTO YOKE
280081	1	UNIV. JOINT CROSS COMPL.W NIPP
283699	1	GREASE NIPPLE M6X1
284782	1	CHAIN F.PTO
333023	1	BEARING HALF, SMALL
333034	1	BEARING HALF BIG
333056	1	LOCK FOR P.T.O. COVER
333233	1	P.T.O. COVER FOR CARDAN
334663	1	BUSHING D45.8/D38.5X25MM
334664	1	BUSHING D51.8/D44.5X25MM
340944	1	PTO SHAFT COVER, TRACT.END 420
340955	1	PTO SHAFT,PUMP END420alt341144
340966	1	PTO SHFT TRCT.END690 alt341145
340977	1	PTO ,PUMP END 690 alt 341144
341144	1	PTO SHAFT COVER, PUMP END 1140
341145	1	PTO SHAFT COVER,TRACT.END 1140
410583	1	BOLT HEX 8.8 DEL M6X40
450612	1	SCREW M10X16 POINTED
450645	1	SCREW ALLAN M6 X 6 SS
460261	1	NUT HEX M6X1 LOCK
729306	1	PTO INNER YOKE&TUBE L=575 TRIA
729307	1	PTO OUTER YOKE&TUBE L=575 TRIA
729308	1	PTO INNER YOKE&TUBE L=850 TRIA
729309	1	PTO OUTER YOKE&TUBE L=850 TRIA
729310	1	PTO INNER YOKE&TUBE L=1300TRIA
729311	1	PTO OUTER YOKE&TUBE L=1300TRIA



* REPLACE THE ENTIRE PTO IF THIS PART IS DAMAGED

PTO #	10639503	10639603	10639703	829444	829478	829801
TRACTOR	1-3/8" 21-SPLINE	1-3/4" 20-SPLINE	1-3/4" 20-SPLINE	1-3/8" 6-SPLINE	1-3/8" 21-SPLINE	1-3/8" 6-SPLINE
IMPLEMENT	1-3/8" 21-SPLINE	1-3/8" 21-SPLINE	1-3/8" 21-SPLINE	1-3/8" 6-SPLINE	1-3/8" 21-SPLINE	1-3/8" 6-SPLINE
LENGTH	1210/1890	1210/1890	1210/1870	1210/1870	1210/1870	810/1203
A	28009503	28010903	28008403	10627803	28008803	10627803
B	28008903	28008903	10601203	10601203	10601203	10601203
C	28010803	28010803	10627203	10627203	10627203	10627203
D	28009803	28009803	10627103	10627103	10627103	10627103
E	28009003	28009003	10627003	10627003	10627003	10627003
F	28009103	28009103	10627303	28017803	10627303	10627303
G	28009903	28009903	10627403	10627403	10627403	10627403
H	28010103	28010103	10627503	10627503	10627503	10627503
I	28009403	28009403	284042	284042	284042	284042
J	28010203	28010203	28008603	28017903	28008603	28017903
K	28010003	28010003	10602203	10602203	10602203	10602203
L	28010403	28010403	10601703	10601703	10601703	10601703
M	28010503	28010503	10601803	10601803	28018003	10601803
N	28009203	28009203	10596103	10596103	10596103	10596103
O	28009303	28009303	10596203	10596203	10596203	10596203
P	28010603	28010603	10601903	10601903	10601903	10601903
Q	28010703	28010703	10602003	10602003	10602003	10602003
R	10628003	28008503	28008503	10628003	10628003	10628003
S	10627703	28017303	28017303	10627703	28018103	10627703
T	10627703	10627703	10627703	10627703	10627703	10627703
U	28009603	28009603	28008703	XXXXXXXX	28008703	XXXXXXXX
V	28010303	28010303	10602303	10602303	10602303	10602303
W	28017103	28017103	28017403	28017403	28017403	28017403
X	28017203	28017203	28017503	28017503	28017503	28017503

COMPLETE ASSEMBLIES
WHOLEGOODS ITEMS

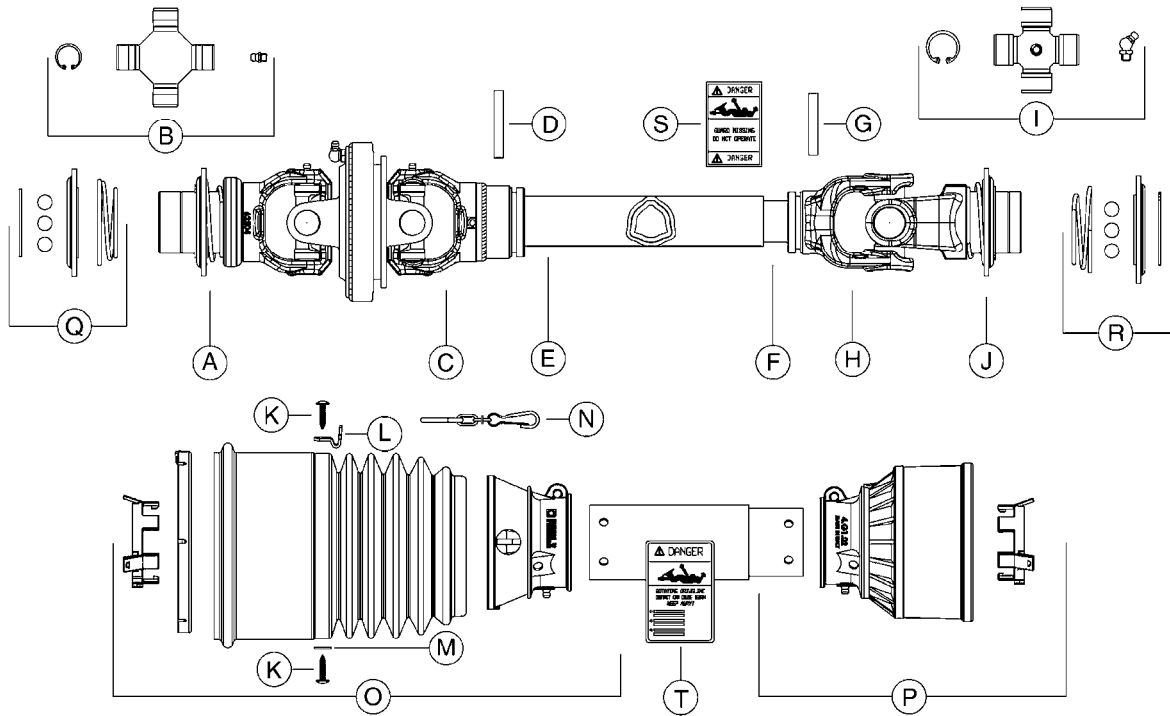
A510



C.V.PTO SHAFTS YELLOW (PRE'05)
A510-HIN, 13:12:11

Page 1
Date 19.03.2013 9:42

parts-n°	order qty	description
284042	1	CROSS BEARING F.PTO
829444	1	PTO 1-3/8/6X1-3/8/6x1210MM HAC
829478	1	PTO 1-3/8/21x1210 TF
829801	1	PTO 1-3/8/6 X 1-3/8/6 CV
10596103	1	PTO SHIELD OUTER 1000x82mm OD
10596203	1	PTO SHIELD INNER 1000x75mm OD
10601203	1	UNIV. JOINT 30.2x99.4mm TWIN
10601703	1	SHIELD BGR.F.OUTER TUBE CV TWI
10601803	1	SHIELD CONE F.OUTER TUBE CV
10601903	1	SHIELD CONE F.INNER TUBE CV TW
10602003	1	SHIELD BGR.F.INNER TUBE CV TWI
10602203	1	SHIELD RETAINER F.CV TWIN PTO
10602303	1	SHIELD CONE F.CV END TWIN
10627003	1	PTO TUBE OUTER F.CV PTO SHAFT
10627103	1	PTO PIN TUBE RETAINER OUTER
10627203	1	PTO YOKE INNER F.CV PTO SHAFT
10627303	1	PTO TUBE INNER F.CV PTO SHAFT
10627403	1	PTO TUBE RETAINER INNER
10627503	1	PTO YOKE F.INNER TUBE CV PTO
10627703	1	PTO PIN KIT F. CV PTO SHAFT
10627803	1	PTO YOKE 1-3/8X6 SPL SLIP F.CV
10628003	1	PTO REPAIR KIT F.SLIP YOKE CV
10639503	1	PTO 1-3/8/21 alt 28035003
10639603	1	PTO 1-3/4/20 alt 28035103
10639703	1	PTO 1-3/4/20X1-3/8/21X1210 TF
28008403	1	PTO YOKE 1-3/4X20SPL SLIP F.CV
28008503	1	PTO REPAIR KIT 1-3/4"SLIP YOKE
28008603	1	PTO YOKE 1-3/8X21SPL
28008703	1	PTO REPAIR KIT 1-3/8"SLIP YOKE
28008803	1	PTO YOKE 1-3/8X21SPL SLIP F.CV
28008903	1	UNIV. JOINT 23.8x86 F.CV PTO
28009003	1	PTO TUBE OUTER F.CV 1060MM
28009103	1	PTO TUBE INNER F.CV 1060MM
28009203	1	PTO SHIELD OUTER 1007x67mm OD
28009303	1	PTO SHIELD INNER 1007x60mm OD
28009403	1	UNIV. JOINT 23.8x61.3mm
28009503	1	PTO YOKE 1-3/8X21SPL SLIP F.CV
28009603	1	PTO REPAIR KIT 1-3/8"SLIP YOKE
28009803	1	PTO PIN TUBE RETAINER OUTER
28009903	1	PTO TUBE RETAINER INNER
28010003	1	SHIELD RETAINER F.CV TF PTO
28010103	1	PTO YOKE F.INNER TUBE CV PTO
28010203	1	PTO YOKE 1-3/8X21SPL
28010303	1	SHIELD CONE F.CV END TF
28010403	1	SHIELD BGR.F.OUTER TUBE CV TF
28010503	1	SHIELD CONE F.OUTER TUBE CV TF
28010603	1	SHIELD CONE F.INNER TUBE CV TF
28010703	1	SHIELD BGR.F.INNER TUBE CV TF
28010803	1	PTO YOKE INNER F.CV PTO SHAFT
28010903	1	PTO YOKE 1-3/4X20SPL SLIP F.CV
28017103	1	PTO HALF SAFETY SHIELD
28017203	1	PTO HALF SAFETY SHIELD
28017303	1	PTO PIN KIT F. CV PTO SHAFT
28017403	1	PTO HALF SAFETY SHIELD
28017503	1	PTO HALF SAFETY SHIELD
28017803	1	PTO TUBE INNER F.CV
28017903	1	PTO YOKE 1-3/8X6SPL
28018103	1	PTO PIN KIT F. CV PTO SHAFT
28040703	1	SAFETY CHAIN F.CV BLACK PTO



**COMPLETE ASSEMBLIES
WHOLEGOODS ITEMS**

PTO #	28035003	28035103
TRACTOR	1-3/8" 21 SPLINE	1-3/4" 20 SPLINE
IMPLEMENT	1-3/8" 21 SPLINE	1-3/8" 21 SPLINE
LENGTH	1210/1890	1210/1890
A	28040203	28041303
B	28040303	28040303
C	28040403	28040403
D	28009803	28009803
E	28009003	28009003
F	28009103	28009103
G	28009903	28009903
H	28010103	28010103
I	28040503	28009403
J	28040603	28027803
K	28040903	28040903
L	28041703	28041703
M	28041603	28041603
N	28040703	28040703
O	28041103	28041103
P	28041203	28041503
Q	28040803	28041403
R	28041003	XXXXXXXX
S	28041803	28041803
T	28041903	28041903

A511

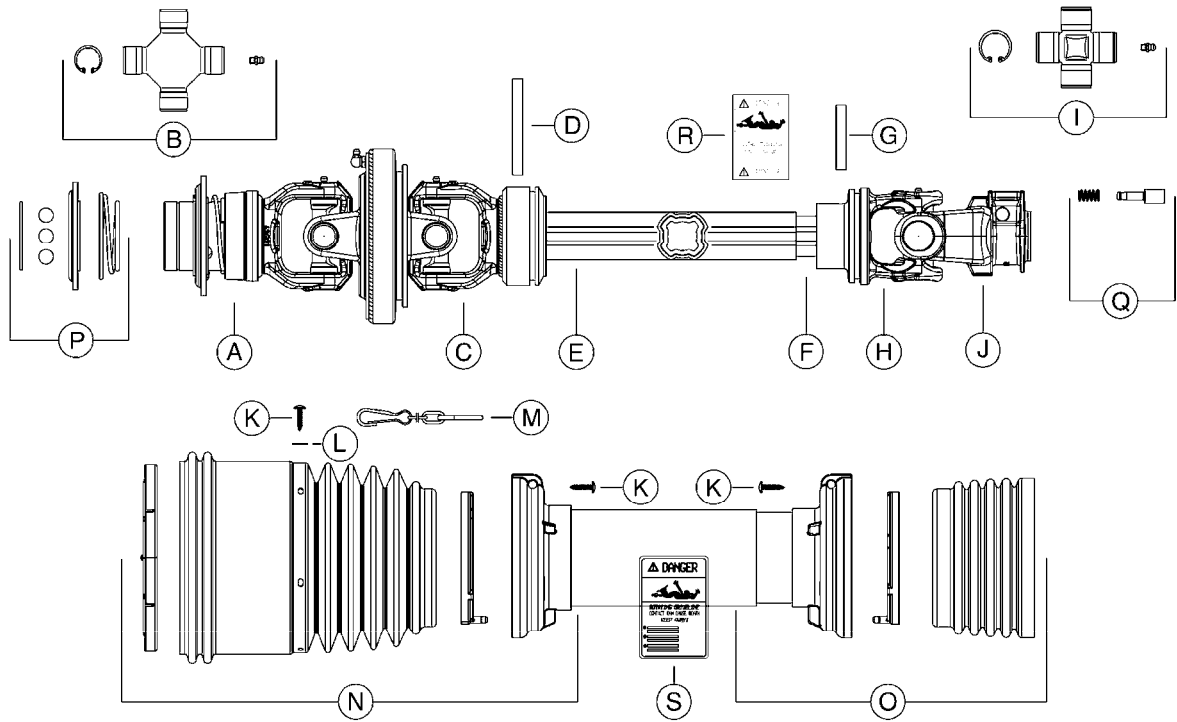


C.V.PTO-BLACK TRIANG. (POST'05)
A511-HIN, 29:11:06

Page 1

Date 19.03.2013 9:42

parts-n°	order qty	description
28009003	1	PTO TUBE OUTER F.CV 1060MM
28009103	1	PTO TUBE INNER F.CV 1060MM
28009403	1	UNIV. JOINT 23.8x61.3mm
28009803	1	PTO PIN TUBE RETAINER OUTER
28009903	1	PTO TUBE RETAINER INNER
28010103	1	PTO YOKE F.INNER TUBE CV PTO
28027803	1	PTO YOKE 1-3/8X21SPL BALL LOCK
28035003	1	PTO 1-3/8/21X1-3/8/21X1260 CV
28035103	1	PTO 1-3/4/20X1-3/8/21X1260 CV
28040203	1	PTO YOKE 1-3/8X21SPL SLIP F.CV
28040303	1	UNIV. JOINT 27x100mm F.CV BLK.
28040403	1	PTO YOKE INNER F.CV PTO SHAFT
28040503	1	UNIV. JOINT 30.2x79.4mm F/BLK.
28040603	1	PTO YOKE 1-3/8X21SPL BLACK
28040703	1	SAFETY CHAIN F.CV BLACK PTO
28040803	1	PTO REPAIR KIT F.PUSH YOKE CV
28040903	1	SELF TAPPING SHIELDING SCREW
28041003	1	PTO REPAIR KIT F.PUSH YOKE
28041103	1	PTO HALF SAFETY SHIELD BLACK
28041203	1	PTO HALF SAFETY SHIELD BLACK
28041303	1	PTO YOKE 1-3/4X20SPL SLIP F.CV
28041403	1	PTO REPAIR KIT F.PUSH YOKE CV
28041503	1	PTO HALF SAFETY SHIELD BLACK
28041603	1	WASHER F.SHIELDING SCREW BLACK
28041703	1	ANCHOR F.RETAINING CHAIN BLACK
28041803	1	DECAL DANGER GUARD MISSING
28041903	1	DECAL DANGER ROT.DRIVELINE



**COMPLETE ASSEMBLIES
WHOLEGOODS ITEMS**

PTO #	28035203	28035303	28035403
TRACTOR	1-3/4" 20 SPLINE	1-3/8" 6 SPLINE	1-3/8" 21 SPLINE
IMPLEMENT	1-3/8" 21 SPLINE	1-3/8" 6 SPLINE	1-3/8" 21-SPLINE
LENGTH	1210/1890	1210/1890	1210/1890
A	28042003	28043303	28069300
B	28042103	28042103	28042103
C	28042203	28042203	28042203
D	28042303	28042303	28042303
E	28042403	28042403	28042403
F	28042503	28042503	28042503
G	10627403	10627403	10627403
H	28042603	28042603	28042603
I	28042803	28042803	28042803
J	28042703	28042703	28042703
K	28040903	28040903	28040903
L	28041603	28041603	28041603
M	28042903	28042903	28042903
N	28043103	28043103	28043103
O	28043203	28043203	28043203
P	28043003	28040803	28040803
Q	10627703	10627703	10627703
R	28041803	28041803	28041803
S	28041903	28041903	28041903

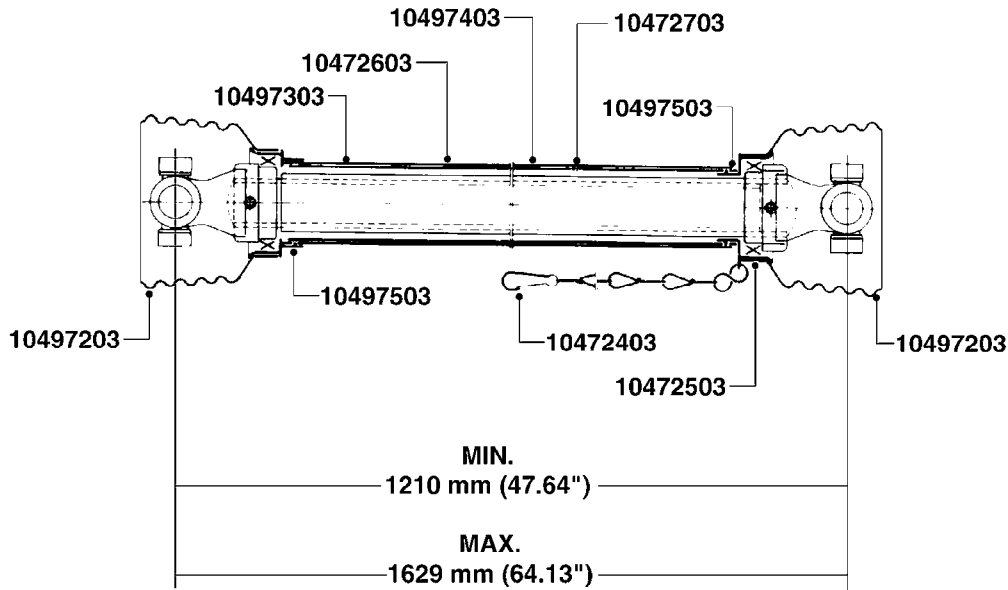
A512



C.V.PTO-BLACK SQUARE (POST'05)
A512-HIN, 13:06:08

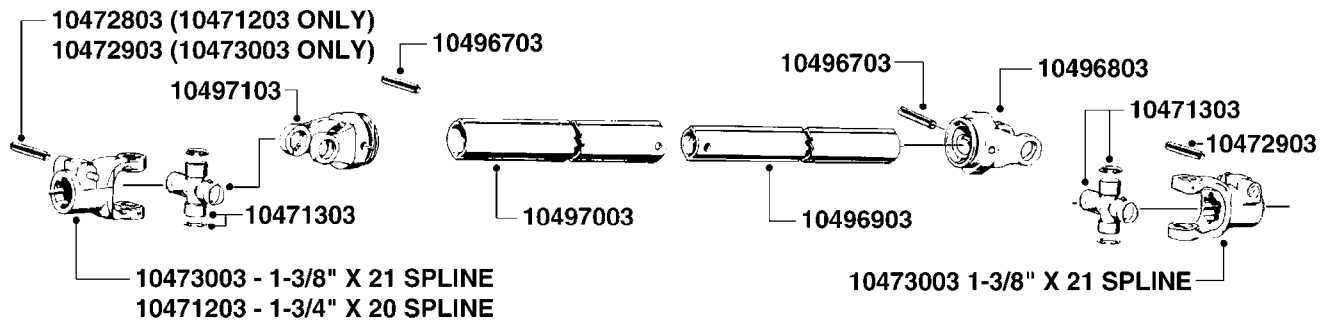
Page 1
Date 19.03.2013 9:42

parts-n°	order qty	description
10627403	1	PTO TUBE RETAINER INNER
10627703	1	PTO PIN KIT F. CV PTO SHAFT
28035203	1	PTO 1-3/4/20X1-3/8/21X1210 CVH
28035303	1	PTO 1-3/8/6 X1-3/8/6 X1210 CVH
28035403	1	PTO 1-3/8/21X1-3/8/21X1210 CVH
28040803	1	PTO REPAIR KIT F.PUSH YOKE CV
28040903	1	SELF TAPPING SHIELDING SCREW
28041603	1	WASHER F.SHIELDING SCREW BLACK
28041803	1	DECAL DANGER GUARD MISSING
28041903	1	DECAL DANGER ROT.DRIVELINE
28042003	1	PTO YOKE 1-3/4X20SPL SLIP F.CV
28042103	1	UNIV. JOINT 27x100mm F.CV BLK.
28042203	1	PTO YOKE INNER F.CV PTO SHAFT
28042303	1	ROLL PIN
28042403	1	PTO TUBE OUTER F.CV PTO SHAFT
28042503	1	PTO TUBE INNER F.CV PTO SHAFT
28042603	1	PTO YOKE F.INNER TUBE CV PTO
28042703	1	PTO YOKE 1-3/8X21SPL BLACK
28042803	1	UNIV. JOINT 30.2x79.4mm F/BLK.
28042903	1	SAFETY CHAIN F.CV BLACK PTO
28043003	1	PTO REPAIR KIT F.PUSH YOKE CV
28043103	1	PTO HALF SAFETY SHIELD BLACK
28043203	1	PTO HALF SAFETY SHIELD BLACK
28043303	1	PTO YOKE 1-3/8X6 SPL SLIP F.CV
28069300	1	PTO YOKE 1-3/8X21 SFT F.CV



COMPLETE ASSEMBLIES

- 10481503 1000 RPM - 1 3/8" X 21 SPLINE X 1210 mm
 - 10481603 1000 RPM - 1 3/4" X 20 SPLINE X 1210 mm
- USED WITH 1000 RPM GEARBOX ONLY



COMPLETE ASSEMBLIES
WHOLEGOODS ITEMS

A520

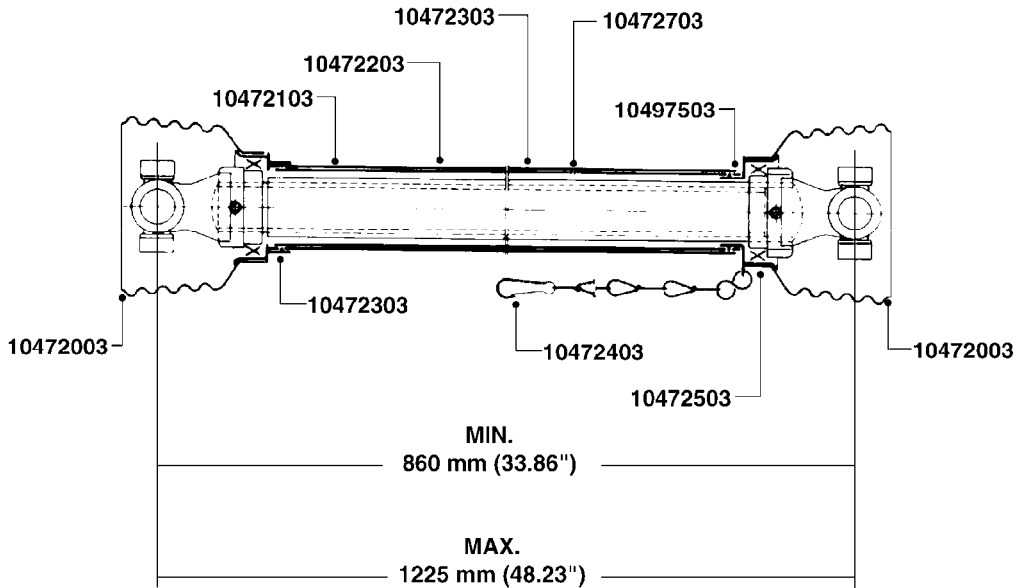


PTO WALTERSCHEID HC650M/950M
A520-HIN, 01:01:01

Page 1

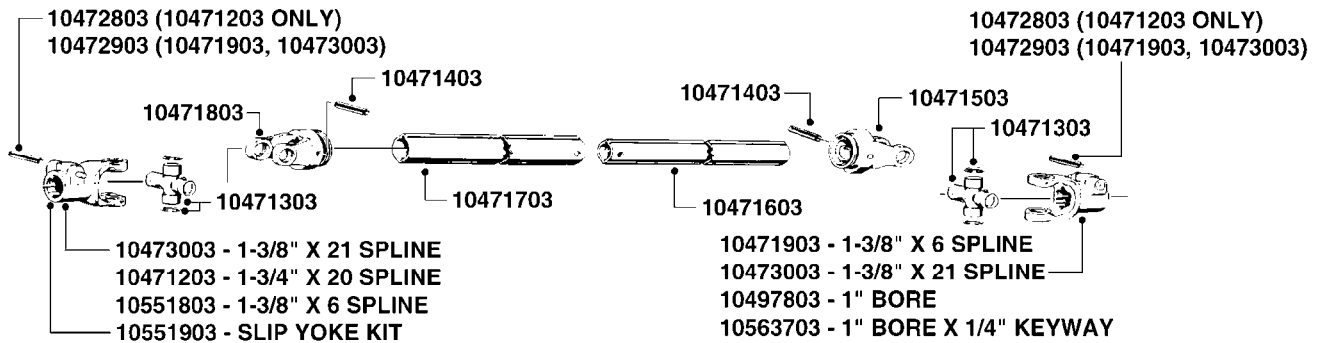
Date 19.03.2013 9:42

parts-n°	order qty	description
10471203	1	PTO YOKE 1-3/4 X 20 SPLINE
10471303	1	UNIV. JOINT 23.8x62.5mm
10472403	1	PTO SAFETY CHAIN
10472503	1	SCREW/ATTACHES ITEM# 1104720
10472603	1	DECAL PTO OUTER IN ITEM 104721
10472703	1	DECAL PTO IN ITEM 104717
10472803	1	PTO PIN KIT IN ITEM 104712
10472903	1	PTO KIT IN ITEM 104719
10473003	1	PTO YOKE 1-3/8 X 21 SPLINE
10481503	1	PTO 1-3/8/21X1-3/8/21X1210MM
10481603	1	PTO 1-3/4/20X1-3/8/21X1210MM
10496703	1	PTO SPRING PIN 10X65
10496803	1	PTO YOKE INBOARD OV
10496903	1	PTO INNER PROFILE OV
10497003	1	PTO OUTER PROFILE 1
10497103	1	PTO YOKE INBOARD 1
10497203	1	PTO SHIELD CONE 4 RIB
10497303	1	PTO OUT.SHIELD TUBE OVAL
10497403	1	PTO INN.SHIELD TUBE ROUND
10497503	1	PTO BEARING RING SC15



COMPLETE ASSEMBLIES

- 10303903 - 1000 RPM - 1 3/8" X 21 SPLINE / 1 3/8" X 6 SPLINE X 860mm
- 10465803 - 1000 RPM - 1 3/4" X 20 SPLINE / 1 3/8" X 21 SPLINE X 860mm
- 10481403 - 1000 RPM - 1 3/8" X 21 SPLINE / 1 3/8" X 21 SPLINE X 860mm
- 10497903 - 1000 RPM - 1 3/8" X 21 SPLINE / 1" BORE X 860mm - USED WITH HYPRO CENTRIFUGAL PUMP OR BELT DRIVE 1000RPM KITS
- 10545803 - 540 RPM - 1 3/8" X 6 SPLINE / 1" BORE X 860mm - USED WITH MEGA CENTRIFUGAL



COMPLETE ASSEMBLIES
WHOLEGOODS ITEMS

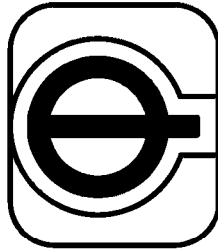
A530



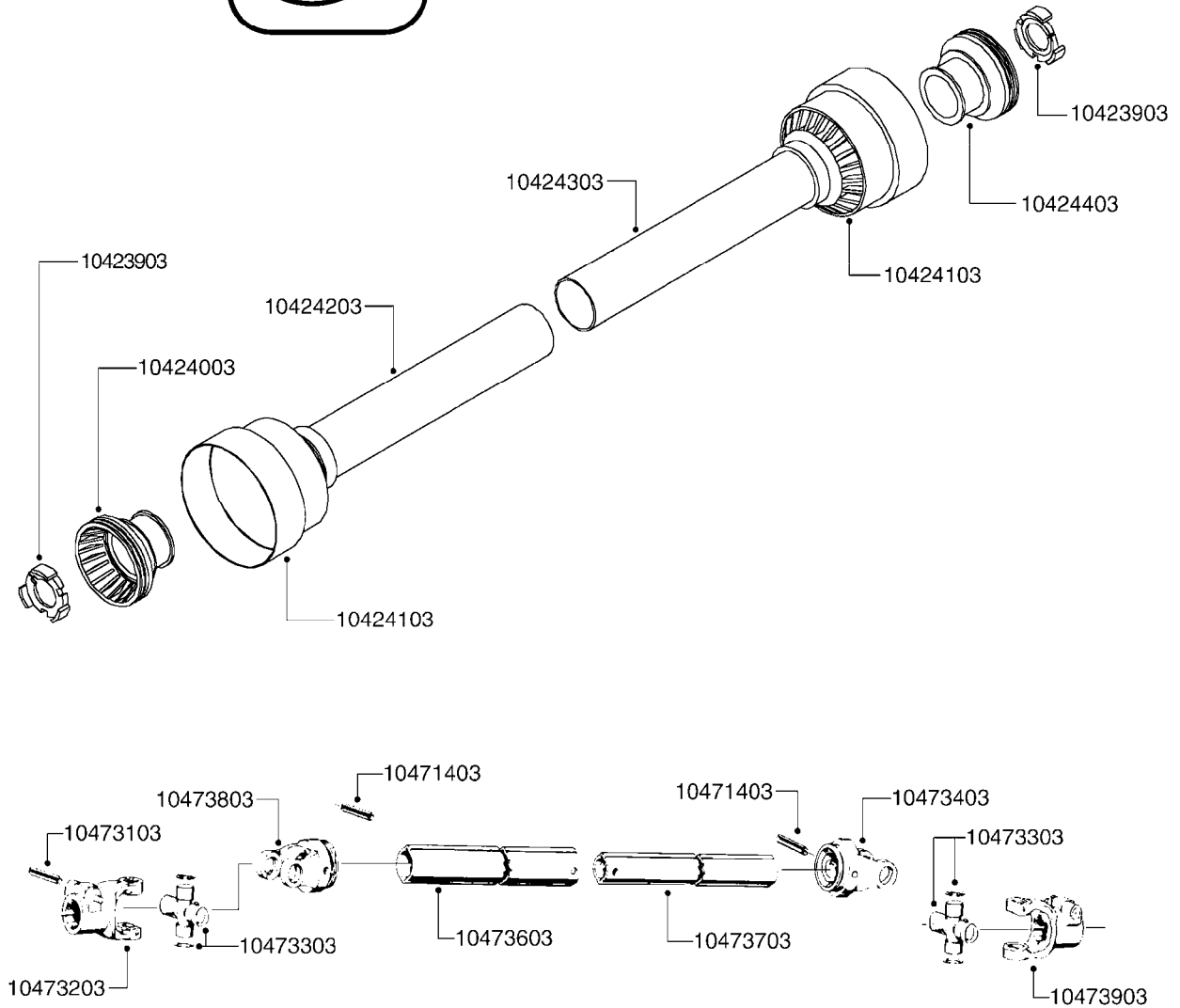
PTO WALTERSCHEID TR/NAV
A530-HIN, 01:01:01

Page 1
Date 19.03.2013 9:42

parts-n°	order qty	description
10303903	1	PTO 1-3/8/21X1-3/8/6X860MM 361
10465803	1	PTO 1-3/4/20x 1-3/8/21 WLTRSHD
10471203	1	PTO YOKE 1-3/4 X 20 SPLINE
10471303	1	UNIV. JOINT 23.8x62.5mm
10471403	1	PTO SPRING PIN 8 X 60
10471503	1	PTO INBOARD YOKE
10471603	1	PTO INNER PROFILE
10471703	1	PTO OUTER PROFILE
10471803	1	PTO INBOARD YOKE
10471903	1	PTO YOKE 1-3/8 X 6 SPLINE
10472003	1	PTO SHIELD CONE 5 RIB
10472103	1	PTO OUTER SHIELD TUBE
10472203	1	PTO INNER SHIELD TUBE
10472303	1	PTO BEARING RING
10472403	1	PTO SAFETY CHAIN
10472503	1	SCREW/ATTACHES ITEM# 1104720
10472703	1	DECAL PTO IN ITEM 104717
10472803	1	PTO PIN KIT IN ITEM 104712
10472903	1	PTO KIT IN ITEM 104719
10473003	1	PTO YOKE 1-3/8 X 21 SPLINE
10481403	1	PTO 1-3/8/21 x1-3/8/21 WLTRSHD
10497503	1	PTO BEARING RING SC15
10497803	1	PTO YOKE 1'
10497903	1	PTO 1-3/8/21X1' X860MM
10545803	1	PTO 1-3/8/6X1' X860
10551803	1	PTO YOKE 1-3/8 x 6 SPL SPLIP
10551903	1	PTO REPAIR KIT F.SLIP YOKE
10563703	1	YOKE 1'x 1/4' KEYED WALTERSCHE



MANUFACTURER'S
IDENTIFICATION MARK



COMPLETE ASSEMBLIES
WHOLEGOODS ITEMS

COMPLETE ASSEMBLY
10497903 - 1000 RPM - 1 3/8"X21 SPLINE X 575 mm

A540

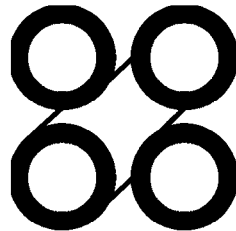


PTO SHAFT-EUROCARDAN 1000 RPM
A540-HIN, 01:01:01

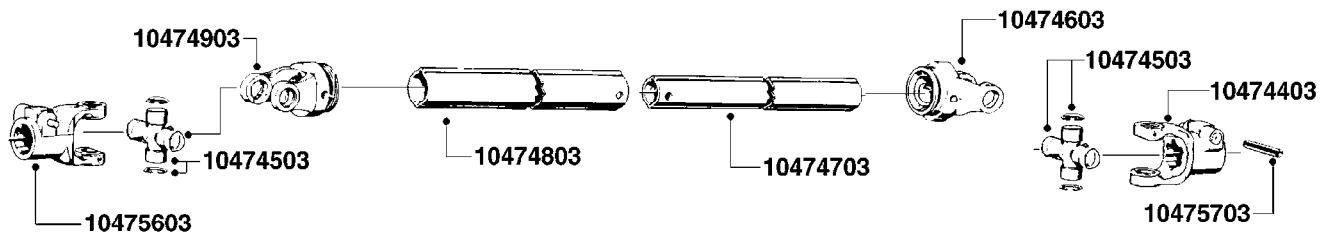
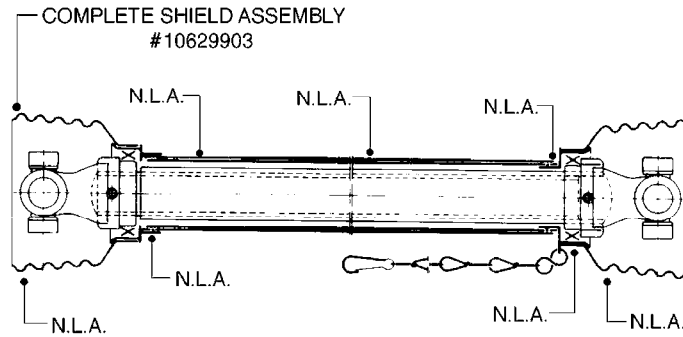
Page 1

Date 19.03.2013 9:42

parts-n°	order qty	description
10423903	1	CLIP FOR SHIELD FY85/90
10424003	1	PTO SHIELD RET.BIG END FY85/90
10424103	1	PTO BELL SHIELD FY85/90
10424203	1	PTO TUBE BIG END FY85/90
10424303	1	PTO TUBE SMALL FY85/90
10424403	1	PTO SHIELD SMALL END FY85/90
10471403	1	PTO SPRING PIN 8 X 60
10473103	1	YOKE PIN KIT 1101264
10473203	1	YOKE 1-3/8 21 SPLINE
10473303	1	UNIV. JOINT 21x60mm (NLA)
10473403	1	YOKE INNER FOR OUTER TUBE
10473603	1	TUBE OUTER (STEEL) 1101264
10473703	1	TUBE INNER (STEEL) 1101264
10473803	1	YOKE INNER FOR INNER TUBE
10473903	1	YOKE 1'BORE 1101264
10497903	1	PTO 1-3/8/21X1' X860MM



MANUFACTURERS
IDENTIFICATION MARK



COMPLETE ASSEMBLIES
WHOLEGOODS ITEMS

COMPLETE ASSEMBLIES

10497903 - 1000 RPM - 1 3/8" X 21 SPLINE X 575 mm (ALTERNATIVE SHAFT)

A550

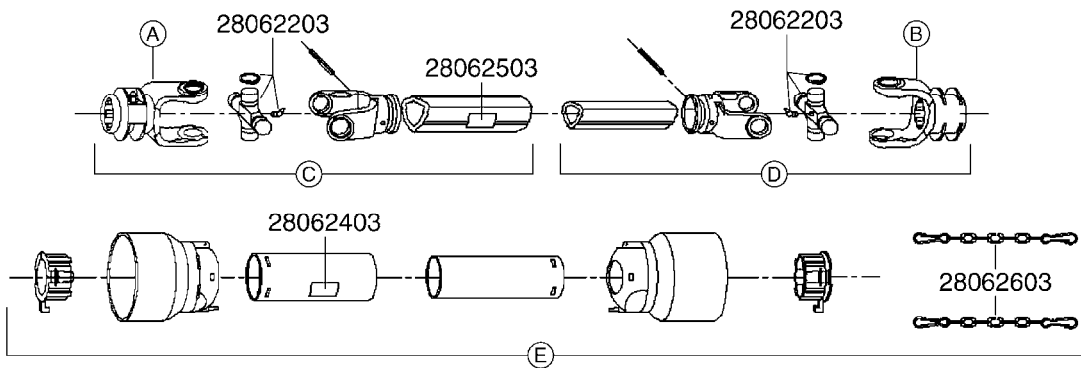


PTO SHAFT-CANIMEX
A550-HIN, 01:01:01

Page 1

Date 19.03.2013 9:42

parts-n°	order qty	description
10474403	1	PTO YOKE 1-3/8 21
10474503	1	UNIV. JOINT 23.8x61.3mm
10474603	1	PTO YOKE OUTER TUBE
10474703	1	PTO OUTER TUBE 700MM
10474803	1	PTO INNER TUBE 700MM
10474903	1	PTO YOKE INNER TUBE
10475603	1	PTO YOKE 1' BORE
10475703	1	PTO PIN ASSY.
10497903	1	PTO 1-3/8/21X1' X860MM
10629903	1	PTO COVER ASSY F.CANIMEX PTO



PTO #	829482	829483	829484	829487
TRACTOR	1-3/8" 6 SPLINE	1-3/8" 6 SPLINE	1-3/8" 6 SPLINE	1-3/8" 6 SPLINE
IMPLEMENT	25 mm	30 mm	1-3/8" 6 SPLINE	1-3/8" 6 SPLINE
LENGTH	610/800	610/800	610/800	860/1050
A	28062103	28062103	28062103	28062103
B	28062303	28063003	28062103	28062103
C	28062703	28062703	28062703	28063403
D	28062803	28063103	28063203	28063503
E	28062903	28062903	28062903	28063303

Note: For "Bondioli" PTO's (previous supplier) - see page A480.

COMPLETE ASSEMBLIES
WHOLEGOOD ITEMS

A560



PTO SHAFTS - AMA DIAPHRAGM
A560-HIN, 22:12:11

Page 1

Date 19.03.2013 9:42

parts-n°	order qty	description
829482	1	PTO 1-3/8/6X25MM X 600MM 1202
829483	1	PTO 1-3/8/6X30MM x 600MM 1302
829484	1	PTO 1-3/8/6X1-3/8/6X575MM 361
829487	1	PTO 1-3/8/6X1-3/8/6X870MM 361
28062103	1	PTO YOKE 1-3/8X6 AMA
28062203	1	UNIV.JOINT CAT.1 AMA
28062303	1	PTO YOKE D25 AMA
28062403	1	DECAL - DANGER ROTATING SHAFT
28062503	1	DECAL - DANGER MISSING GUARD
28062603	1	SAFETY CHAIN F.PTO AMA
28062703	1	WHEEL, MID-ROLLER (1401,1402)
28062803	1	PTO INNER D25 (NO SHIELD)
28062903	1	PTO SHIELD COMPLETE
28063003	1	TRACK LH 187" X 14" (30-1401)
28063103	1	TRACK RH 187" X 14" (30-1401)
28063203	1	PTO INNER 1-3/8X6 (NO SHIELD)
28063303	1	PTO SHIELD COMPLETE
28063403	1	WHEEL, MID-ROLLER(45-1801)
28063503	1	TRACK RH 187" X 14" (30-1401)